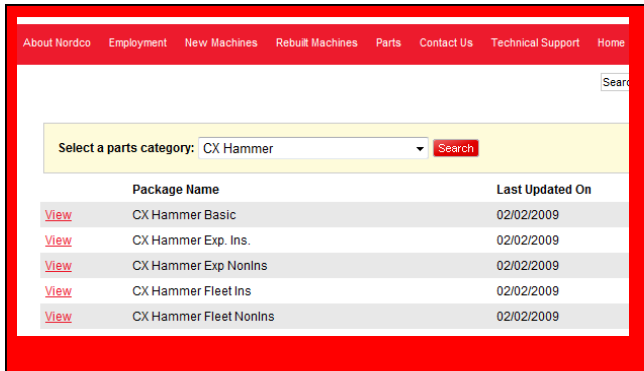


Aftermarket Parts Report



Current information on Nordco Maintenance-of-Way machine parts and kits

Issue 5 May, 2009



Search for spare parts packages by machine type. Packages are displayed in printable format.

Locate spare parts packages with new website search feature

We are frequently asked for lists of recommended spare parts for Nordco Maintenance-of-Way machines. All of our spare parts packages can be found on the Nordco website at www.nordco.com. With the new search capability you can quickly locate the packages designed for your machine. Just click on PARTS on the top navigation bar, then select Spare Parts Packages from the buttons on the left hand side of the page.

Get the right Jaw Mounting Assembly for easy field service

Changing out parts in the field can be difficult and time-consuming. Nordco makes maintenance of your machine fast and easy with complete Jaw Mounting Assemblies. Installing the assembly also ensures that all the wear parts are replaced at the same time, reducing the need for subsequent work. These are particularly useful assemblies to keep on hand. Find the Jaw Mounting Assembly for your machine from the list below. For assistance, contact **Nordco Parts at 1-800-647-1724**.

MODEL C and MODEL 99C

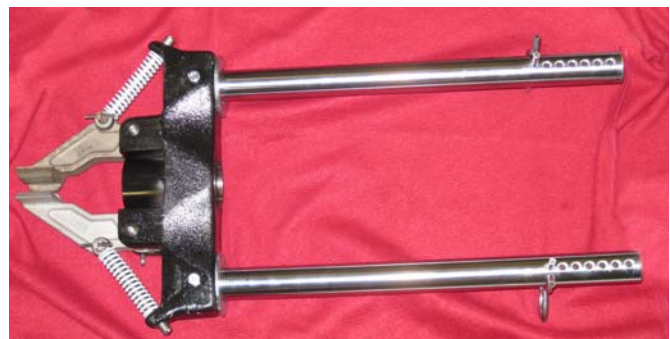
- 96410264 Jaw Mounting Assembly (Chrome guide rods, standard jaws)
- 98410865 Jaw Mounting Assembly (Stainless steel guide rod, flared jaws)
- 98410866 Jaw Mounting Assembly (Chrome guide rods, flared jaws)

CX HAMMER (without sleeves)

- 98411098 Jaw Mounting Assembly (Chrome guide rods, standard jaws)
- 98410226 Jaw Mounting Assembly (Stainless steel guide rods, flared jaws)
- 98411245 Jaw Mounting Assembly (Chrome guide rods, flared jaws)

CX HAMMER (with sleeves)

- 98410428 Jaw Mounting Assembly (Chrome guide rods, standard jaws, standard sleeve)
- 98410427 Jaw Mounting Assembly (Chrome guide rods, standard jaws, curve sleeve)
- 98410432 Jaw Mounting Assembly (Stainless steel guide rods, flared jaws, curve sleeve)
- 98410434 Jaw Mounting Assembly (Stainless steel guide rods, flared jaws, standard sleeve)
- 98412432 Jaw Mounting Assembly (Chrome guide rod, flared jaws, curve sleeve)
- 98412433 Jaw Mounting Assembly (Chrome guide rod, flared jaws, standard sleeve)



Nordco Jaw Mounting Assembly

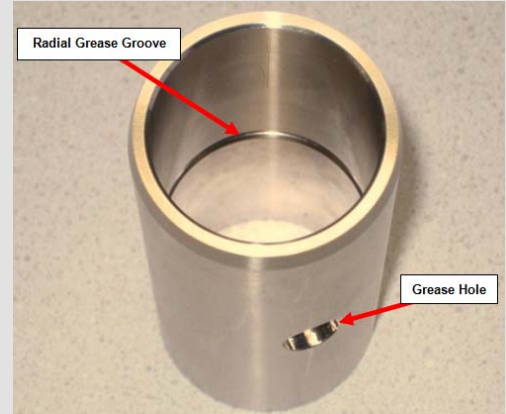
Parts in the spotlight...

Each month we will highlight new and particularly useful parts

98690010 Anchor Cushion Pin Kit: Shoulder Screw and Anchor Stop Sleeve have been replaced by an Anchor Cushion Pin which adds strength and less chance of bolt head distortion. For BAAM Bulk Automatic Anchor Machine with Unit 5 Tools, serial numbers 690055 and below, except 690045 - 690047.

22034755 Guide Rod Bushing: Redesigned to include a radial grease groove around the inside diameter of the bushing. The internal groove improves the grease distribution to the Guide Rod surface and lubrication of the Guide Rod and Bushing, helping to increase the service life of these components. The bushing is used on the CX Hammer, Model C Spiker, Model 99C Spiker and C to CX Conversion Machines. (See Nordco Product Support Bulletin 2009-002).

*Top: Anchor Cushion Pin Kit 98690010
Bottom: Guide Rod Bushing 22034755*



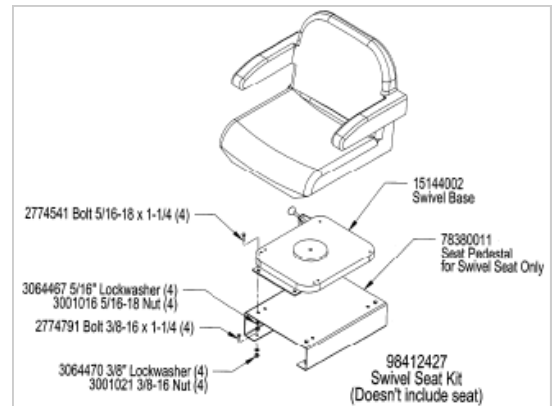
Featured product: Third Man Swivel Seat Kit

Part number: 98412427

Can be used with: CX Hammer

What it does: Convert fixed spike loader seat to a swivel seat.

Description: Modifying the spike loader seat into a swivel seat makes it easy for your "third man" to pivot back and forth as he moves spikes from the bin to the trays. It reduces strain on the worker, and promotes faster, more efficient loading of spikes. (Allow 6 –7 weeks for delivery).



The Third Man Swivel Seat Kit 98412427 includes the base, pedestal and hardware required to modify your existing spike loader seat into a swivel seat.

Contact Nordco Parts Sales

Phone 1-800-647-1724 7:30 a.m. to 5 p.m. Central Time Monday - Friday

Fax: 414-766-2379 Email: Parts_Sales@nordco.com

Request an order or quotation on our website: www.nordco.com

Nordco Inc. 245 W. Forest Hill Ave. Oak Creek, Wisconsin 53154 USA