



Product Support Bulletin 2017-002

245 W. Forest Hill Avenue
Oak Creek, WI 53154

Contact: Technical Support Phone: 800-445-9258 or Email: [:TechSupport@Nordco.com](mailto:TechSupport@Nordco.com)

Maintenance of Way ~ Work Equipment Bulletin

DATE: 6 June 2017

SUBJECT: Spike Puller Head Adjusting Screw Kits

RATING:

<input type="checkbox"/> DIRECTIVE (Action is required)	<input type="checkbox"/> ALERT (Potential Problem)
<input type="checkbox"/> INFORMATION (Action is optional)	<input checked="" type="checkbox"/> PRODUCT IMPROVEMENT (Enhance Product)

MACHINE MODEL(S): SP2R, Super Claws, Grabbers

SERIAL NUMBER(S): ALL S/N'S

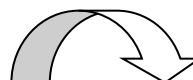
SUMMARY: Old adjustment screws required thread ends to act as stops. The new design utilizes the split plate (57101146) & machined surfaces on the adjustment thread for stops.

OPERATIONAL IMPACT: Adjustment screw threads would rollover on themselves creating slop in the workhead.

ACTION: If you are experiencing this issue Nordco recommends replacing your adjusting screw. As a minimum, Nordco recommends that the screws be replaced in pairs. However, Nordco does offer three different kits depending on your needs. See other side for more detail on the kits.

Please contact NORDCO Parts Department at 1-800-647-1724 to order your kit.

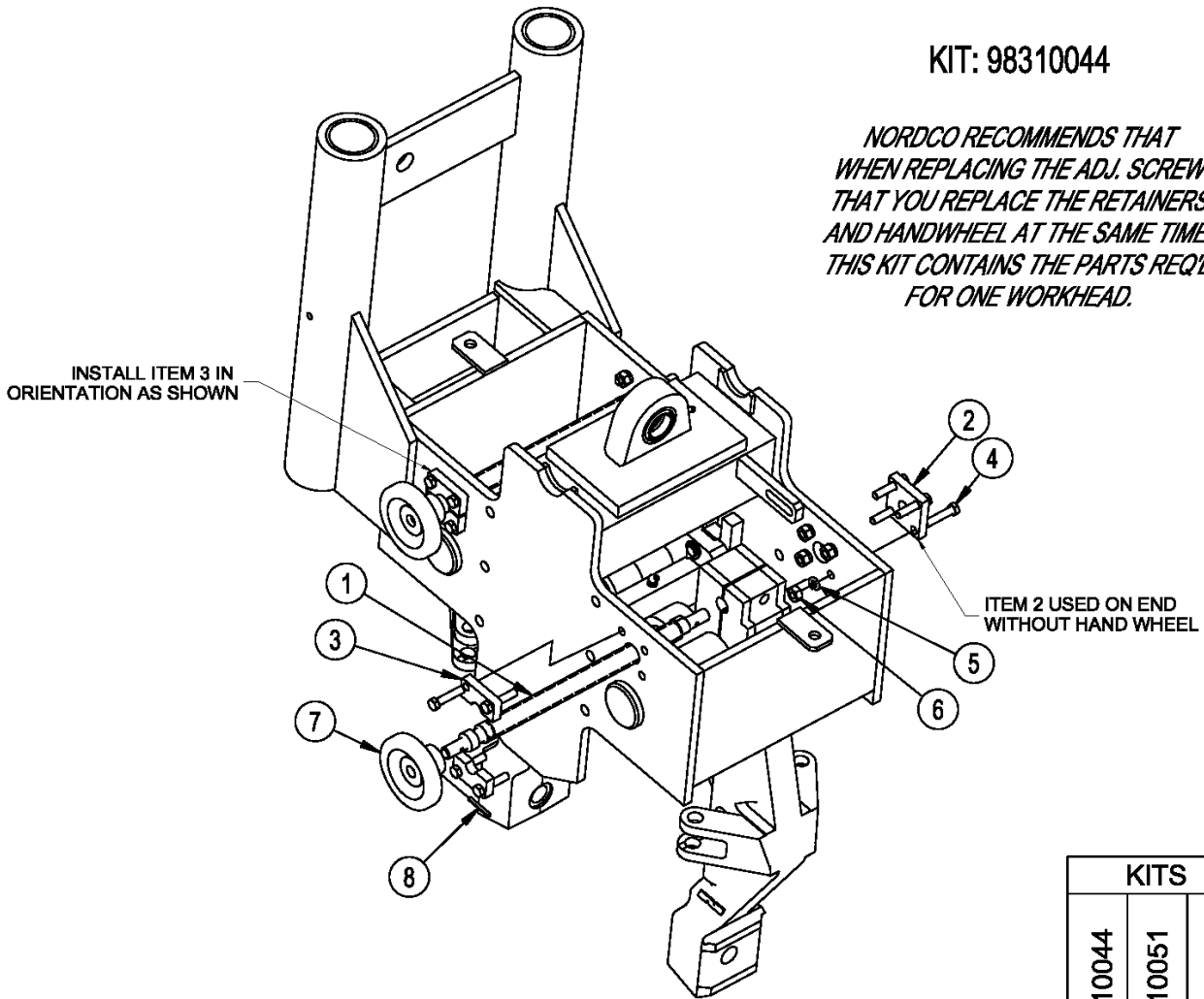
WARRANTY: None



NORDCO Product Support Bulletin 2017-002

KIT: 98310044

NORDCO RECOMMENDS THAT WHEN REPLACING THE ADJ. SCREW THAT YOU REPLACE THE RETAINERS AND HANDWHEEL AT THE SAME TIME. THIS KIT CONTAINS THE PARTS REQ'D FOR ONE WORKHEAD.



KITS		
98310044	98310051	98310052

BILL OF MATERIALS							
ITEM NO.	PART NUMBER OR MATERIAL	QTY. REQ.	D T L	PART NAME	QTY. REQ.	QTY. REQ.	QTY. REQ.
1	67266498	2		SCREW, ADJUSTING	2	2	1
2	57101145	2		RETAINER, ADJUSTING SCREW	2		
3	57101146	2		RETAINER, ADJUSTING SCREW (2 PC)	2	2	1
4	2774811	16		CAPSCREW, HEX HEAD 3/8 X 1-3/4	16		
5	3064470	16		WASHER, LOCK 3/8	16		
6	3001021	16		HEAVY HEX NUT 3/8-16 UNC	16		
7	4224 0896	2		HAND WHEEL	2		
8	3384495	2		SPRING PIN, 3/16 X 1.50	2		