

FIGURE 7. ENGINE PREFACE PART SHEET CROSS REFERENCE

Machine S/N	See Part Sheet
410500	7JD-1
410501	7JD-2
410502	7JD-2
410503	7JD-2
410504	7JD-2
410505	7JD-2
410506	7JD-2
410507	7JD-2
410508	7JD-2
410509	7JD-2
410510	7JD-2
410511	7JD-2
410512	7JD-2
410513	7JD-2
410514	7JD-2
410515	7JD-2
410516	7JD-2
410517	7JD-2
410518	7JD-2
410519	7JD-2
410520	7CU-1
410521	7CU-1
410522	7CU-1
410523	7CU-1
410524	7CU-1
410525	7CU-1
410526	7JD-1
410527	7JD-1
410528	7JD-1
410529	7JD-1
410530	7JD-1
410531	7JD-1
410532	7JD-1
410533	7JD-1

Machine S/N	See Part Sheet
410534	7JD-1
410535	7JD-1
410536	7JD-1
410537	7JD-1
410538	7JD-1
410539	7JD-1
410540	7JD-1
410541	7JD-1
410542	7JD-1
410543	7JD-1
410544	7JD-1
410545	7JD-1
410546	7JD-1
410547	7JD-1
410548	7JD-1
410549	7JD-1
410550	7JD-5
410551	7JD-5
410552	7JD-5
410553	7JD-5
410554	7JD-5
410555	7JD-5
410556	7JD-5
410557	7JD-3
410558	7JD-5
410559	7JD-5
410560	7JD-5
410561	7JD-5
410562	7JD-5
410563	7JD-5
410564	7JD-5
410565	7JD-5
410566	7JD-3
410567	7JD-4

Machine S/N	See Part Sheet
410568	7JD-3
410569	7JD-3
410570	7JD-3
410571	7JD-3
410572	7JD-3
410573	7JD-3
410574	7JD-3
410575	7JD-3
410576	7JD-3
410577	7JD-3
410578	7JD-3
410579	7JD-3
410580	7JD-3
410581	7JD-3
410582	7JD-3
410583	7JD-3
410584	7JD-3
410585	7JD-3
410586	7JD-3
410587	7JD-3
410588	7JD-3
410589	7JD-3
410590	7JD-3
410591	7JD-3
410592	7JD-5
410593	7JD-5
410594	7JD-5
410595	7JD-5
410596	7JD-5
410597	7JD-5
410598	7JD-5
410599	7JD-3
410600	7JD-3
410601	7JD-3

Machine S/N	See Part Sheet
410602	7JD-4
410603	7JD-4
410604	7JD-5
410605	7JD-5
410606	7JD-5
410607	7JD-3
410608	7JD-3
410609	7JD-3
410610	7JD-3
410611	7JD-3
410612	7JD-3
410613	7JD-3
410614	7JD-3
410615	7JD-3
410616	7JD-3
410617	7JD-4
410618	7JD-4
410619	7JD-4
410620	7JD-3
410621	7JD-3
410622	7JD-3
410623	7JD-3
410624	7JD-3
410625	7JD-3
410626	7JD-3
410627	7JD-3
410628	7JD-3
410629	7JD-3
410630	7JD-3
410631	7JD-3
410632	7JD-3
410633	7JD-3
410634	7JD-3
410635	7JD-3

Machine S/N	See Part Sheet
410636	7JD-3
410637	7JD-3
410638	7JD-3
410639	7JD-3
410640	7JD-3
410641	7JD-3
410642	7JD-3
410643	7JD-3
410644	7JD-4
410645	7JD-6
410646	7JD-3
410647	7JD-3
410648	7JD-3
410649	7CU-2
410650	7CU-2
410651	7CU-2
410652	7CU-2
410653	7CU-2
410654	7CU-2
410655	7CU-2
410656	7CU-2
410657	7JD-9
410658	7JD-9
410659	7JD-9
410660	7JD-9
410661	7JD-7
410662	7JD-10
410663	7JD-10
410664	7JD-10
410665	7JD-10
410666	7JD-10
410667	7JD-9
410668	7JD-9
410669	7JD-3

Machine S/N	See Part Sheet
410670	7JD-3
410671	7JD-3
410672	7JD-3
410673	7JD-3
410674	7JD-3
410675	7JD-9
410676	7JD-9
410677	7JD-9
410678	7JD-9
410679	7JD-9
410680	7JD-9
410681	7JD-9
410682	7JD-9
410683	7JD-9
410684	7JD-9
410685	7JD-9
410686	7JD-9
410687	7JD-9
410688	7JD-9
410689	7JD-9
410690	7JD-9
410691	7JD-9
410692	7JD-20
410693	7JD-20
410694	7JD-20
410695	7JD-20
410696	7CU-3
410697	7CU-3
410698	7CU-3
410699	7CU-3
410700	7CU-3
410701	7CU-3
410702	7CU-3
410703	7CU-3

FIGURE 7. ENGINE PREFACE PART SHEET CROSS REFERENCE

Machine S/N	See Part Sheet
410704	7CU-3
410705	7CU-3
410706	7JD-7
410707	7JD-7
410708	7JD-7
410709	7JD-10
410710	7JD-10
410711	7JD-10
410712	7JD-7
410713	7JD-8
410714	7JD-7
410715	7JD-7
410716	7JD-12
410717	7JD-12
410718	7JD-12
410719	7JD-12
410720	7JD-12
410721	7JD-12
410722	7JD-12
410723	7JD-12
410724	7CU-3
410725	7JD-13
410726	7JD-13
410727	7JD-15
410728	7JD-15
410729	7JD-15
410730	7JD-15
410731	7JD-14
410732	7JD-14
410733	7JD-14
410734	7JD-14
410735	7JD-14
410736	7JD-14
410737	7JD-14

Machine S/N	See Part Sheet
410738	7JD-14
410739	7JD-14
410740	7JD-16
410741	7JD-16
410742	7JD-16
410743	7JD-15
410744	7JD-17
410745	7JD-17
410746	7JD-17
410747	7JD-17
410748	7JD-17
410749	7JD-12
410750	7JD-12
410751	7JD-12
410752	7JD-13
410753	7JD-13
410754	7JD-15
410755	7JD-13
410756	7JD-13
410757	7CU-4
410758	7CU-4
410759	7CU-4
410760	7CU-4
410761	7CU-4
410762	7CU-4
410763	7JD-15
410764	7JD-13
410765	7JD-12
410766	7JD-12
410767	7JD-13
410768	7JD-13
410769	7JD-13
410770	7CU-4
410771	7CU-4

Machine S/N	See Part Sheet
410772	7JD-15
410773	7JD-15
410774	7JD-15
410775	7JD-13
410776	7JD-13
410777	7JD-12
410778	7JD-12
410779	7JD-12
410780	7JD-12
410781	7JD-12
410782	7JD-15
410783	7JD-12
410784	7JD-12
410785	7JD-12
410786	7JD-13
410787	7JD-15
410788	7JD-15
410789	7JD-13
410790	7JD-13
410791	7JD-13
410792	7JD-13
410793	7JD-13
410794	7CU-4
410795	7CU-4
410796	7CU-4
410797	7CU-4
410798	7CU-4
410799	7CU-4
410800	7CU-4
410801	7CU-4
410802	7CU-4
410803	7CU-4
410804	7JD-15
410805	7JD-15

Machine S/N	See Part Sheet
410806	7JD-15
410807	7JD-18
410808	7JD-18
410809	7JD-18
410810	7JD-18
410811	7JD-18
410812	7JD-18
410813	7JD-18
410814	7JD-15
410815	7JD-17
410816	7JD-17
410817	7JD-17
410818	7JD-17
410819	7JD-17
410820	7JD-17
410821	7JD-12
410822	7JD-12
410823	7JD-12
410824	7JD-12
410825	7JD-12
410826	7JD-12
410827	7JD-12
410828	7JD-12
410829	7JD-12
410830	
410831	7JD-13
410832	7JD-12
410833	7JD-12
410834	7JD-12
410835	7JD-12
410836	7JD-12
410837	7JD-12
410838	7JD-13
410839	

Machine S/N	See Part Sheet
410840	7JD-12
410841	7JD-12
410842	7JD-12
410843	7JD-15
410844	7JD-15
410845	7JD-13
410846	7JD-15
410847	7JD-13
410848	
410849	7JD-15
410850	7JD-15
410851	7JD-13
410852	7JD-13
410853	7JD-19
410854	7JD-13
410855	7JD-16
410856	7JD-15
410857	7JD-15
410858	7JD-15
410859	7JD-15
410860	7JD-15
410861	7JD-15
410862	7JD-15
410863	7JD-15
410864	7JD-15

Machine S/N	See Part Sheet

FIGURE 7. ENGINE PREFACE PART SHEET CROSS REFERENCE

Machine S/N	See Part Sheet	Machine S/N	See Part Sheet	Machine S/N	See Part Sheet
S/N410010RB-UG	7CU-5	S/N410068RB-UG	7JD-13	S/N410226RB-UG	7JD-14
S/N410011RB-UG	7CU-5	S/N410069RB-UG	7CU-5	S/N410227RB-UG	7CU-5
S/N410012RB-UG		S/N410070RB-UG	7CU-5	S/N410228RB-UG	7CU-5
S/N410014RB-UG	7CU-5	S/N410071RB-UG	7CU-5	S/N410229RB-UG	7CU-5
S/N410015RB-UG	7CU-5	S/N410072RB-UG	7CU-5	S/N410231RB-UG	7JD-3
S/N410016RB-UG	7JD-13	S/N410073RB-UG	7JD-13	S/N410235RB-UG	7JD-13
S/N410018RB-UG	7JD-13	S/N410074RB-UG	7JD-13	S/N410236RB-UG	7JD-3
S/N410021RB-UG	7JD-13	S/N410077RB-UG	7JD-13	S/N410237RB-UG	7JD-13
S/N410022RB-UG	7JD-13	S/N410081RB-UG	7JD-17	S/N410240RB-UG	7JD-13
S/N410024RB-UG	7JD-13	S/N410084RB-UG	7JD-17	S/N410244RB-UG	7JD-3
S/N410025RB-UG	7JD-13	S/N410085RB-UG	7JD-13	S/N410245RB-UG	7JD-3
S/N410026RB-UG	7JD-13	S/N410086RB-UG	7JD-3	S/N410246RB-UG	7JD-15
S/N410028RB-UG	7JD-3	S/N410087RB-UG	7JD-3	S/N410278RB-UG	7CU-5
S/N410029RB-UG	7CU-5	S/N410092RB-UG	7JD-13	S/N410283RB-UG	7CU-5
S/N410030RB-UG	7CU-5	S/N410093RB-UG	7JD-3	S/N410284RB-UG	7CU-5
S/N410031RB-UG	7CU-5	S/N410100RB-UG	7JD-13	S/N410285RB-UG	7CU-5
S/N410032RB-UG	7JD-13	S/N410101RB-UG	7JD-17	S/N410286RB-UG	7CU-5
S/N410033RB-UG	7JD-13	S/N410106RB-UG	7JD-3	S/N410287RB-UG	7CU-5
S/N410034RB-UG	7JD-13	S/N410123RB-UG	7CU-5	S/N410288RB-UG	7CU-5
S/N410035RB-UG	7JD-13	S/N410124RB-UG	7CU-5	S/N410291RB-UG	7JD-3
S/N410039RB-UG	7JD-4	S/N410126RB-UG	7JD-3	S/N410293RB-UG	7JD-3
S/N410040RB-UG	7JD-4	S/N410127RB-UG	7CU-5	S/N410305RB-UG	7CU-5
S/N410042RB-UG	7JD-3	S/N410128RB-UG	7CU-5	S/N410306RB-UG	7CU-5
S/N410045RB-UG		S/N410132RB-UG	7CU-5	S/N410307RB-UG	7CU-5
S/N410047RB-UG	7JD-3	S/N410133RB-UG	7CU-5	S/N410308RB-UG	7CU-5
S/N410048RB-UG		S/N410134RB-UG	7JD-13	S/N410309RB-UG	7CU-5
S/N410050RB-UG	7JD-3	S/N410135RB-UG	7JD-13	S/N410316RB-UG	7JD-4
S/N410051RB-UG	7JD-17	S/N410136RB-UG	7JD-7	S/N410317RB-UG	7JD-13
S/N410054RB-UG	7JD-17	S/N410137RB-UG	7JD-7	S/N410359RB-UG	7JD-3
S/N410055RB-UG	7JD-17	S/N410138RB-UG	7JD-7	S/N410360RB-UG	7JD-3
S/N410060RB-UG	7JD-13	S/N410139RB-UG	7JD-3	S/N410361RB-UG	7JD-13
S/N410062RB-UG	7JD-13	S/N410140RB-UG	7JD-13	S/N410362RB-UG	7JD-13
S/N410065RB-UG	7JD-13	S/N410203RB-UG	7JD-3	S/N410363RB-UG	7JD-13
S/N410067RB-UG	7JD-13	S/N410204RB-UG	7JD-13		

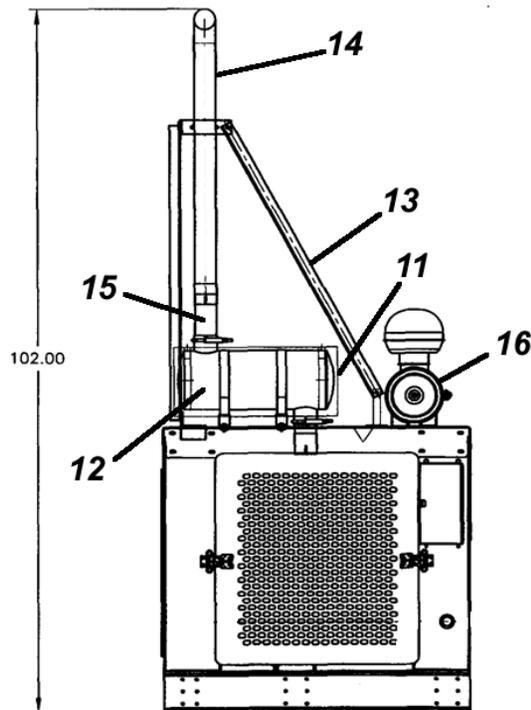
FIGURE 7CU-8 CUMMINS ENGINE QSB4.5 with MacBone AC Pump

NOTICE

When calling Cummins NPower for support on this Engine, Reference the engine number listed below. Make certain you Have the S/N of the engine available at time of service call.

31750319

Rated Horsepower: 110hp@2200 rpm
Operating RPM: 2400 rpm high idle
1150 rpm low idle



ITEM NO.	PART NO.	DESCRIPTION	UNITS PER ASSEMBLY
1	31750319	Cummins QSB4.5 Engine	1
2	5128788	80 Amp Circuit Breaker	1
3☉	EE 9247	70 Amp Alternator (Delco 24SI).....	1
4	Contact Nordco	Starter Relay	1
5	10061012	Addco Throttle	1
6	80010006	Timer	1
7☉	239-099	Water Temp Sender (VDO).....	1
8	5193951	Oil Pressure Sender (VDO	1
9☉	NE-44F941	5 Amp Circuit Breaker	1
10☉	10000167	Radiator	1
11	38042632	Muffler Heat Shield	1
12☉	1000521	Muffler	1
13	98412437	Exhaust Pipe Brace	1
14	82655410	Tailpipe	1
15	82655411	Exhaust Pipe 3 x 9".....	1
16	Contact Nordco	Air Cleaner	1
17☉	HD 9112	A/C Pump Drive (SAE A).....	1
18	59427970	A/C Pump	1
19☉	96412856	ASSY, Pump Drive	1
20	25730014	COMPRESSOR, AC	1

CONSUMABLES/WEAR ITEMS:

21	6090565	Fuel/Water Separator (FS19732)	1
22	6090843	Fuel Filter (FF5421)	1
23	3894606	Oil Filter (LF3970).....	1
24	17560030	Serpentine Belt (3289809).....	1
25☉	3894670	Air Filter, Primary (P777639)	1
26☉	3894671	Air Filter, Safety (P778214)	1

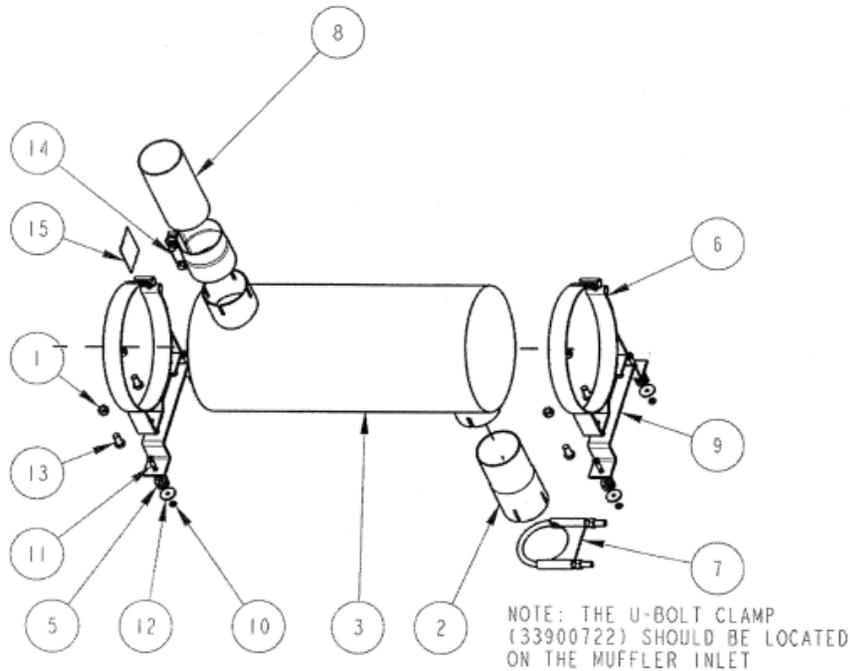
☉ This number is a Cummins or Cummins NPower Part Number

FIGURE 7CU-8 CUMMINS ENGINE QSB4.5 with MacBone AC Pump

NOTICE

The following drawing and part numbers are
Those of Cummins NPower.

When calling Cummins NPower for support on this Engine,
Reference the engine number listed below. Make certain you
Have the S/N of the engine available at time of service call.



XHPUI0047 (XH11059) - EXHAUST SYSTEM, HORIZONTAL, ENCLOSURE, ISOLATED			
ITEM	QTY.	PART NO.	DESCRIPTION
1	4	8100019	NUT, LOCK, 3/8-16
2	1	10000137	TUBE, FORMED EXHAUST
3	1	10000520	MUFFLER, HORIZONTAL
5	4	11000330	ISOLATOR
6	2	11000419	CLAMP, MUFFLER
7	1	33908722	CLAMP, U-BOLT
9	2	70014440	BRACKET, MUFFLER
10	4	80000143	NUT, LOCK, #10-24
11	4	80000167	BOLT, SHOULDER, 1/4 X 5/8, 10-24 THD
12	4	80000168	WASHER, 13/64 ID X I
13	4	80000317	BOLT, HH, 3/8-16 X 3/4
14	1	80000721	CLAMP, BAND, 3"
15	1	80000739	GASKET, TORCTITE

**FIGURE 7CU-8 CUMMINS ENGINE
 QSB4.5 with MacBone AC Pump**

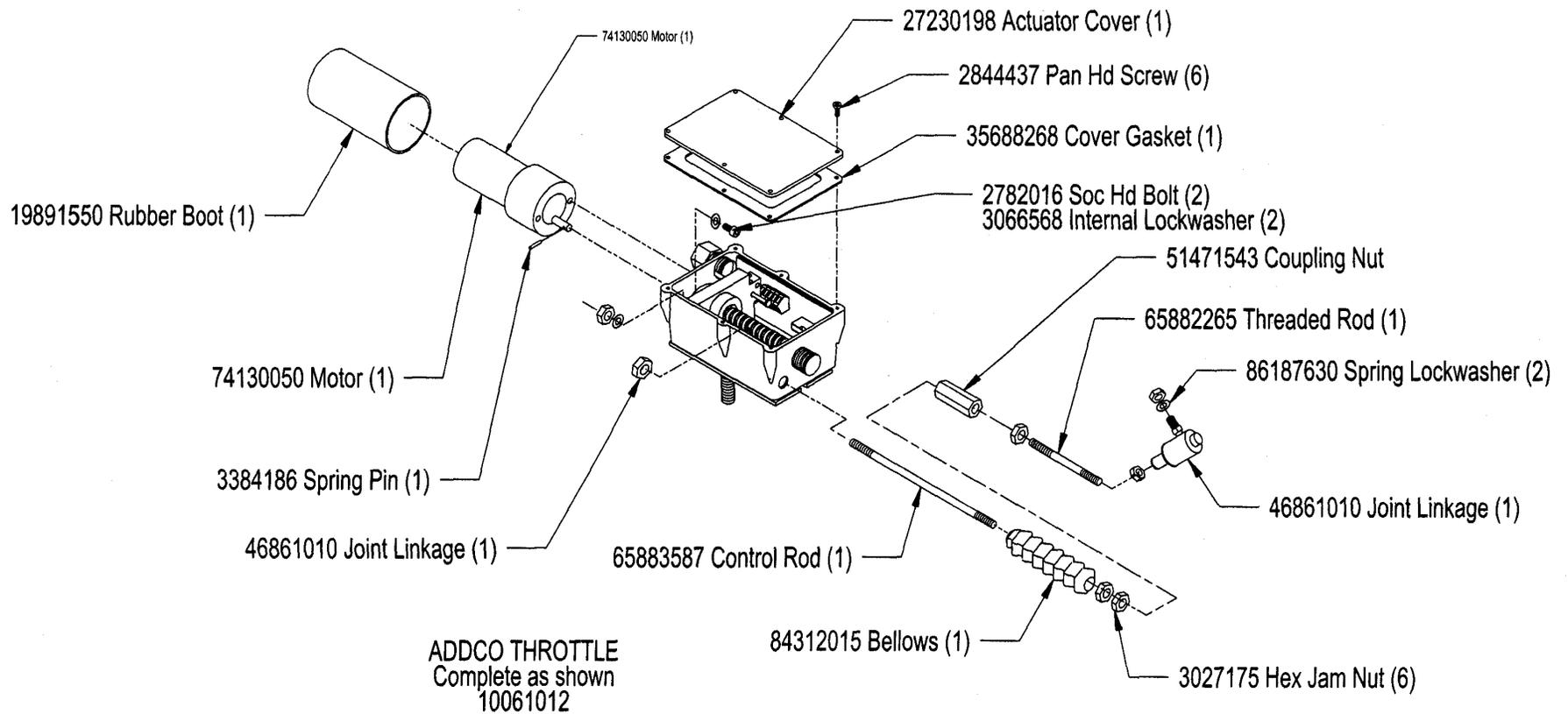


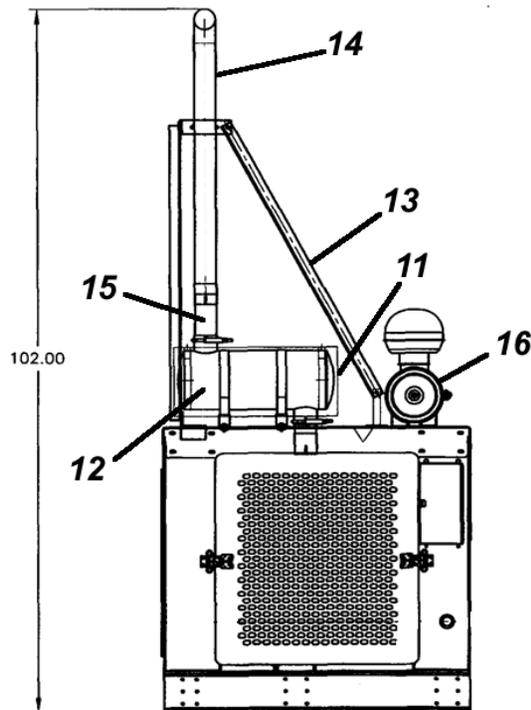
FIGURE 7CU-7. CUMMINS ENGINE B4.5T-P99 with MacBone AC Pump

NOTICE

When calling Cummins NPower for support on this Engine, Reference the engine number listed below. Make certain you Have the S/N of the engine available at time of service call.

31750311

Rated Horsepower: 99hp@2200 rpm
Operating RPM: 2400 rpm high idle
1150 rpm low idle



ITEM NO.	PART NO.	DESCRIPTION	UNITS PER ASSEMBLY
1	31750311	Cummins B4.5T-P99 Engine	1
2	5128788	80 Amp Circuit Breaker	1
3☉	EE 9247	70 Amp Alternator (Delco 24SI).....	1
4	Contact Nordco	Starter Relay	1
5	10061012	Addco Throttle	1
6	80010006	Timer	1
7☉	323-099	Water Temp Sender (VDO).....	1
8	5193951	Oil Pressure Sender (VDO)	1
9☉	NE-44F941	5 Amp Circuit Breaker	1
10☉	10000167	Radiator	1
11	38042631	Muffler Heat Shield	1
12	98412436	Muffler Assembly (See Next Page)	1
13	98412437	Exhaust Pipe Brace	1
14	82655410	Tailpipe	1
15	82655411	Exhaust Pipe 3 x 9".....	1
16	Contact Nordco	Air Cleaner	1
17☉	HD 9112	A/C Pump Drive (SAE A).....	1
18	59427970	A/C Pump	1
19☉	96412856	Pump Drive Assembly	1

CONSUMABLES/WEAR ITEMS:

20	3890205	Oil Filter (LF3805).....	1
21	3894670	Air Filter, Primary (AF25962).....	1
22	3894671	Air Filter, Safety (AF25963)	1

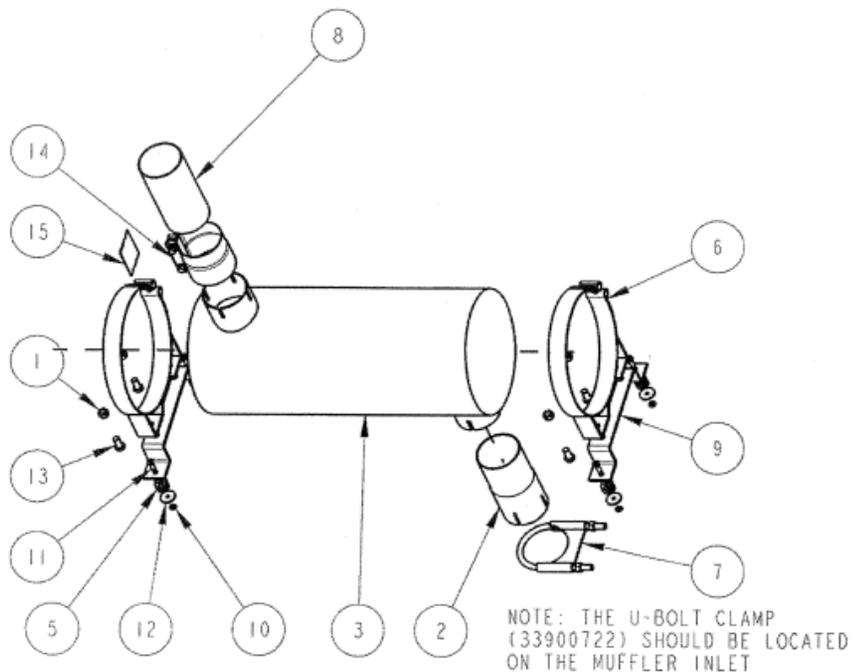
☉ This number is a Cummins or Cummins NPower Part Number

FIGURE 7CU-7. CUMMINS ENGINE B4.5T-P99 with MacBone AC Pump

NOTICE

The following drawing and part numbers are
Those of Cummins NPower.

When calling Cummins NPower for support on this Engine,
Reference the engine number listed below. Make certain you
Have the S/N of the engine available at time of service call.



XHPUI0047 (XH11059) - EXHAUST SYSTEM, HORIZONTAL, ENCLOSURE, ISOLATED			
ITEM	QTY.	PART NO.	DESCRIPTION
1	4	8100019	NUT, LOCK, 3/8-16
2	1	10000137	TUBE, FORMED EXHAUST
3	1	10000520	MUFFLER, HORIZONTAL
5	4	11000330	ISOLATOR
6	2	11000419	CLAMP, MUFFLER
7	1	33908722	CLAMP, U-BOLT
9	2	70014440	BRACKET, MUFFLER
10	4	80000143	NUT, LOCK, #10-24
11	4	80000167	BOLT, SHOULDER, 1/4 X 5/8, 10-24 THD
12	4	80000168	WASHER, 13/64 ID X I
13	4	80000317	BOLT, HH, 3/8-16 X 3/4
14	1	80000721	CLAMP, BAND, 3"
15	1	80000739	GASKET, TORCTITE

FIGURE 7CU-7. CUMMINS ENGINE B4.5T-P99 with MacBone AC Pump

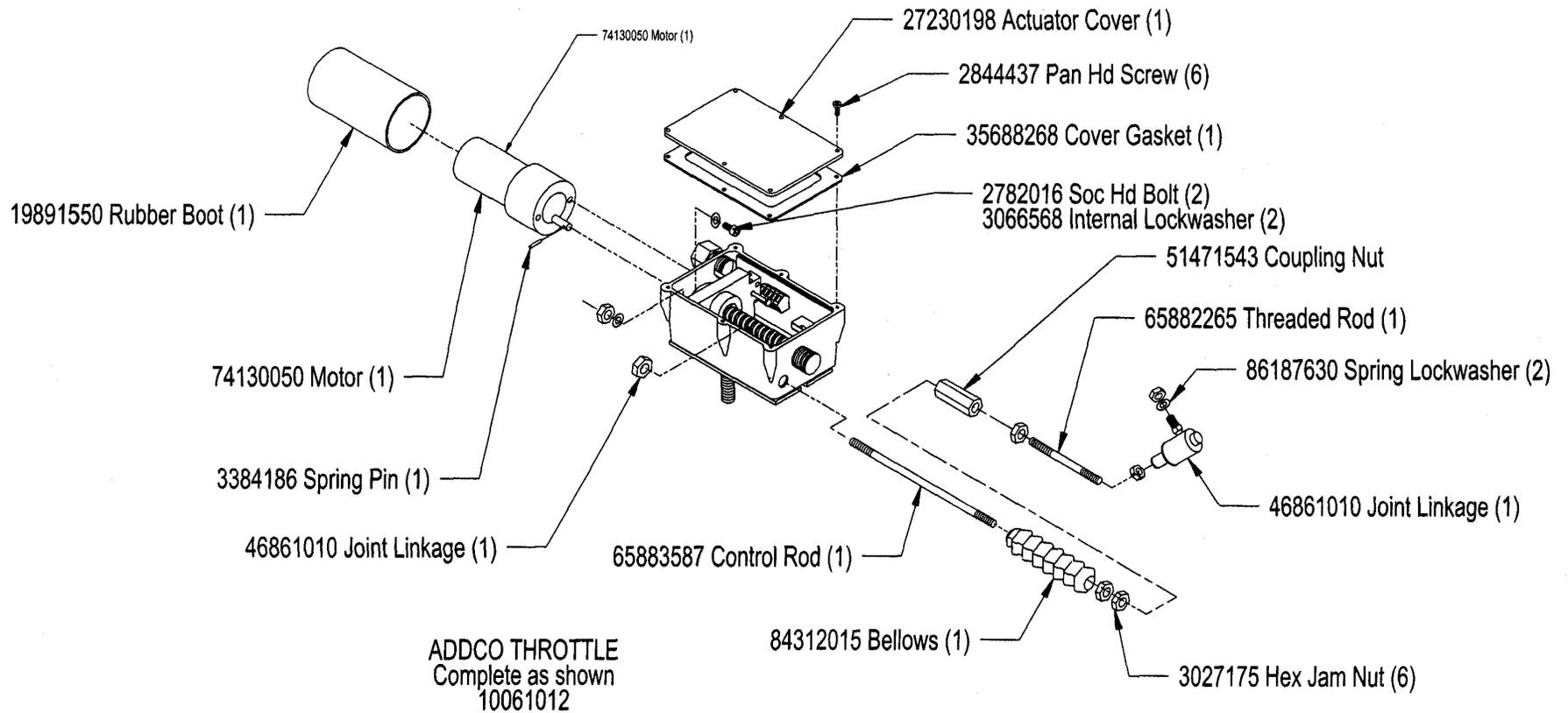


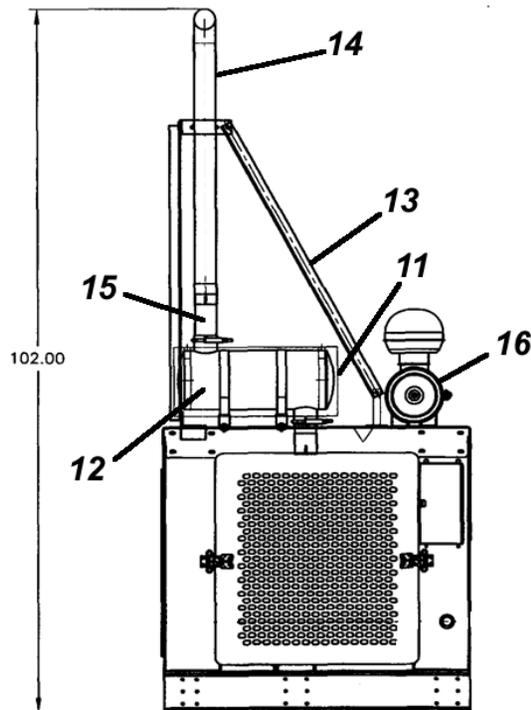
FIGURE 7CU-6. CUMMINS ENGINE QSB4.5 with MacBone AC Pump

NOTICE

When calling Cummins NPower for support on this Engine, Reference the engine number listed below. Make certain you Have the S/N of the engine available at time of service call.

31750324

Rated Horsepower: 110hp@2200 rpm
Operating RPM: 2400 rpm high idle
1150 rpm low idle



ITEM NO.	PART NO.	DESCRIPTION	UNITS PER ASSEMBLY
1	31750324	Cummins QSB4.5 Engine	1
2	5128788	80 Amp Circuit Breaker	1
3☉	EE 9247	70 Amp Alternator (Delco 24SI).....	1
4	Contact Nordco	Starter Relay	1
5	10061012	Addco Throttle	1
6	80010006	Timer	1
7	5193962	Water Temp Sender (VDO).....	1
8	5193951	Oil Pressure Sender (VDO)	1
9☉	NE-44F941	5 Amp Circuit Breaker	1
10☉	10000167	Radiator	1
11	38042631	Muffler Heat Shield	1
12☉	1000521	Muffler	1
13	98412437	Exhaust Pipe Brace	1
14	82655410	Tailpipe	1
15	82655411	Exhaust Pipe 3 x 9".....	1
16	Contact Nordco	Air Cleaner (AAPU10172).....	1
17☉	HD 9112	A/C Pump Drive (SAE A).....	1
18	59427970	A/C Pump	1
19	96412856	ASSY, Pump Drive	1
20	257300	A/C Compressor	1

CONSUMABLES/WEAR ITEMS:

21	6090565	Fuel/Water Separator (FS19732)	1
22	6090843	Fuel Filter (FF5421)	1
23	3894606	Oil Filter (LF3970).....	1
24	17560030	Serpentine Belt (3289809).....	1
25	3894670	Air Filter, Primary (P777639)	1
26	3894671	Air Filter, Safety (P778214)	1

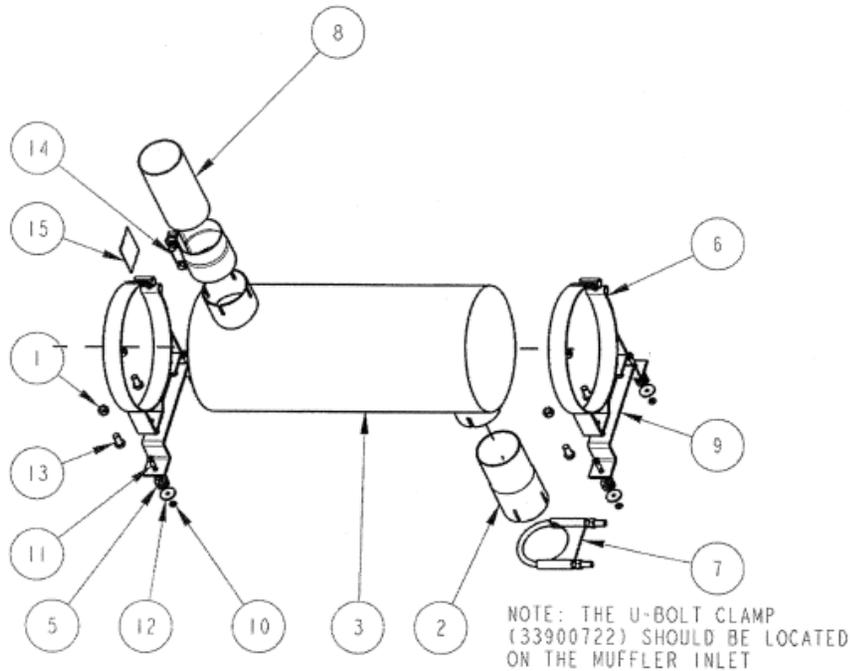
☉ This number is a Cummins or Cummins NPower Part Number

FIGURE 7CU-6. CUMMINS ENGINE QSB4.5 with MacBone AC Pump

NOTICE

The following drawing and part numbers are
Those of Cummins NPower.

When calling Cummins NPower for support on this Engine,
Reference the engine number listed below. Make certain you
Have the S/N of the engine available at time of service call.



XHPUI0047 (XH11059) - EXHAUST SYSTEM, HORIZONTAL, ENCLOSURE, ISOLATED			
ITEM	QTY.	PART NO.	DESCRIPTION
1	4	8100019	NUT, LOCK, 3/8-16
2	1	10000137	TUBE, FORMED EXHAUST
3	1	10000520	MUFFLER, HORIZONTAL
5	4	11000330	ISOLATOR
6	2	11000419	CLAMP, MUFFLER
7	1	33908722	CLAMP, U-BOLT
9	2	70014440	BRACKET, MUFFLER
10	4	80000143	NUT, LOCK, #10-24
11	4	80000167	BOLT, SHOULDER, 1/4 X 5/8, 10-24 THD
12	4	80000168	WASHER, 13/64 ID X I
13	4	80000317	BOLT, HH, 3/8-16 X 3/4
14	1	80000721	CLAMP, BAND, 3"
15	1	80000739	GASKET, TORCTITE

FIGURE 7CU-6. CUMMINS ENGINE QSB4.5 with MacBone AC Pump

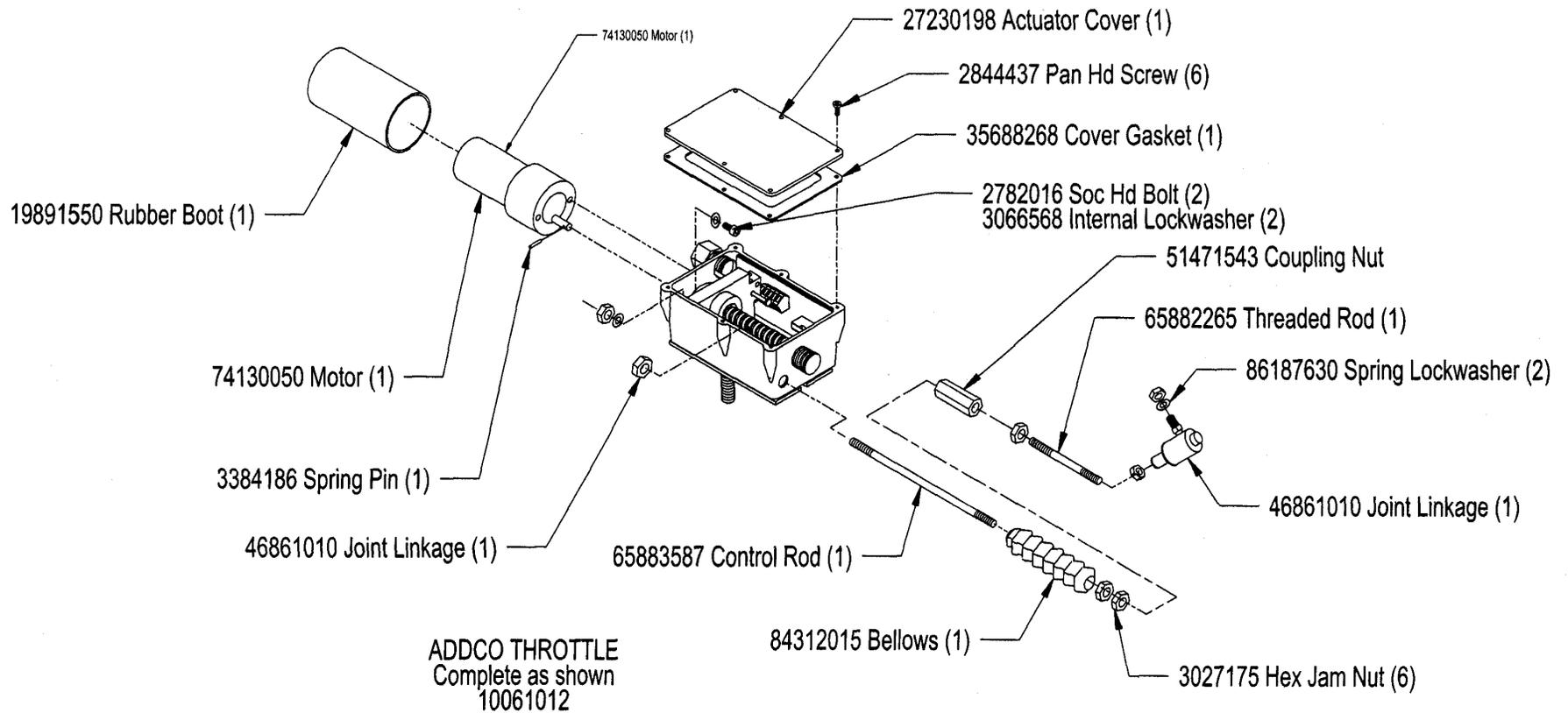


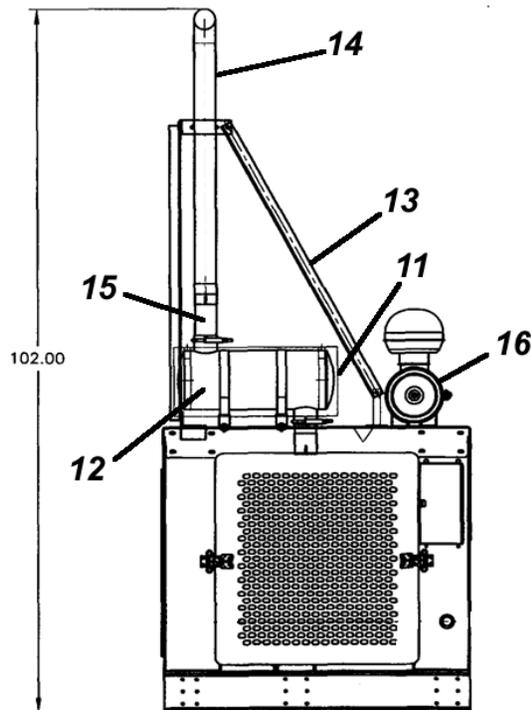
FIGURE 7CU-5. CUMMINS ENGINE B4.5T -99

NOTICE

When calling Cummins NPower for support on this Engine, Reference the engine number listed below. Make certain you Have the S/N of the engine available at time of service call.

31750232

Rated Horsepower: 99hp@2200 rpm
Operating RPM: 2400 rpm high idle
1150 rpm low idle



ITEM NO.	PART NO.	DESCRIPTION	UNITS PER ASSEMBLY
1	31750232	Cummins B4.5T-99 Engine	1
2	5128788	80 Amp Circuit Breaker	1
3☉	EE 9247	70 Amp Alternator (Delco 24SI).....	1
4	Contact Nordco	Starter Relay	1
5	10061012	Addco Throttle	1
6	80010006	Timer	1
7☉	323-099	Water Temp Sender (VDO).....	1
8	5193951	Oil Pressure Sender (VDO	1
9☉	NE-44F941	5 Amp Circuit Breaker	1
10☉	10000167	Radiator	1
11	38042631	Muffler Heat Shield	1
12	50487160	Muffler	1
13	98412437	Exhaust Pipe Brace	1
14	82655410	Tailpipe	1
15	82655411	Exhaust Pipe 3 x 9".....	1
16	Contact Nordco	Air Cleaner (AAPU10133).....	1
19☉	96412856	ASSY, Pump Drive	1

CONSUMABLES/WEAR ITEMS:

20	6090835	Fuel/Water Separator (FS19608)	1
21	3894670	Air Filter, Primary P777639)	1
22	3894671	Air Filter, Safety (P778214)	1
23	3890205	Oil Filter (LF3805)	1

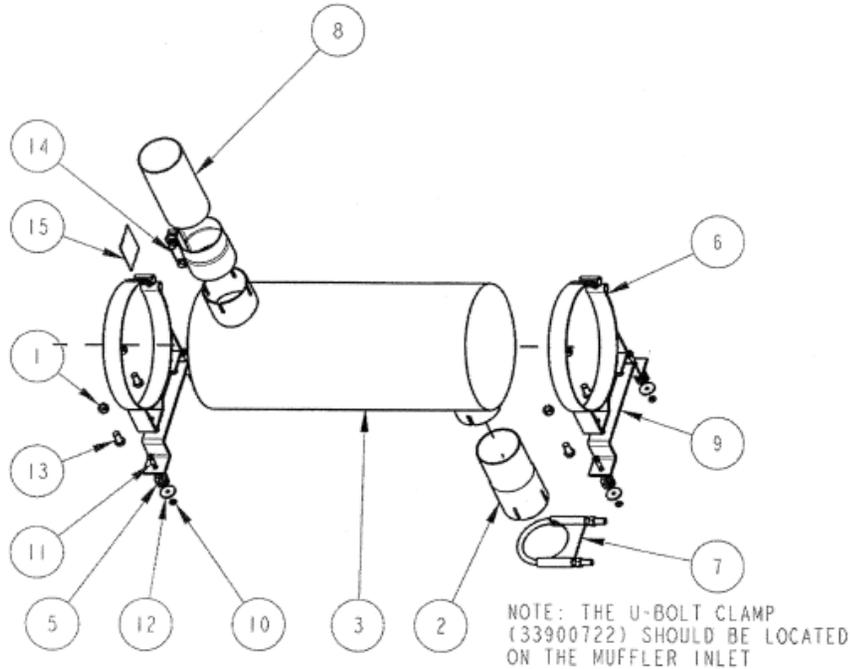
☉ This number is a Cummins or Cummins NPower Part Number

FIGURE 7CU-5. CUMMINS ENGINE B4.5T -99

NOTICE

The following drawing and part numbers are
Those of Cummins NPower.

When calling Cummins NPower for support on this Engine,
Reference the engine number listed below. Make certain you
Have the S/N of the engine available at time of service call.



XHPUI0047 (XH11059) - EXHAUST SYSTEM, HORIZONTAL, ENCLOSURE, ISOLATED			
ITEM	QTY.	PART NO.	DESCRIPTION
1	4	8100019	NUT, LOCK, 3/8-16
2	1	10000137	TUBE, FORMED EXHAUST
3	1	10000520	MUFFLER, HORIZONTAL
4	4	11000330	ISOLATOR
5	2	11000419	CLAMP, MUFFLER
6	1	33908722	CLAMP, U-BOLT
7	2	70014440	BRACKET, MUFFLER
8	4	80000143	NUT, LOCK, #10-24
9	4	80000167	BOLT, SHOULDER, 1/4 X 5/8, 10-24 THD
10	4	80000168	WASHER, 13/64 ID X I
11	4	80000317	BOLT, HH, 3/8-16 X 3/4
12	1	80000721	CLAMP, BAND, 3"
13	1	80000739	GASKET, TORCTITE

FIGURE 7CU-5. CUMMINS ENGINE B4.5T -99

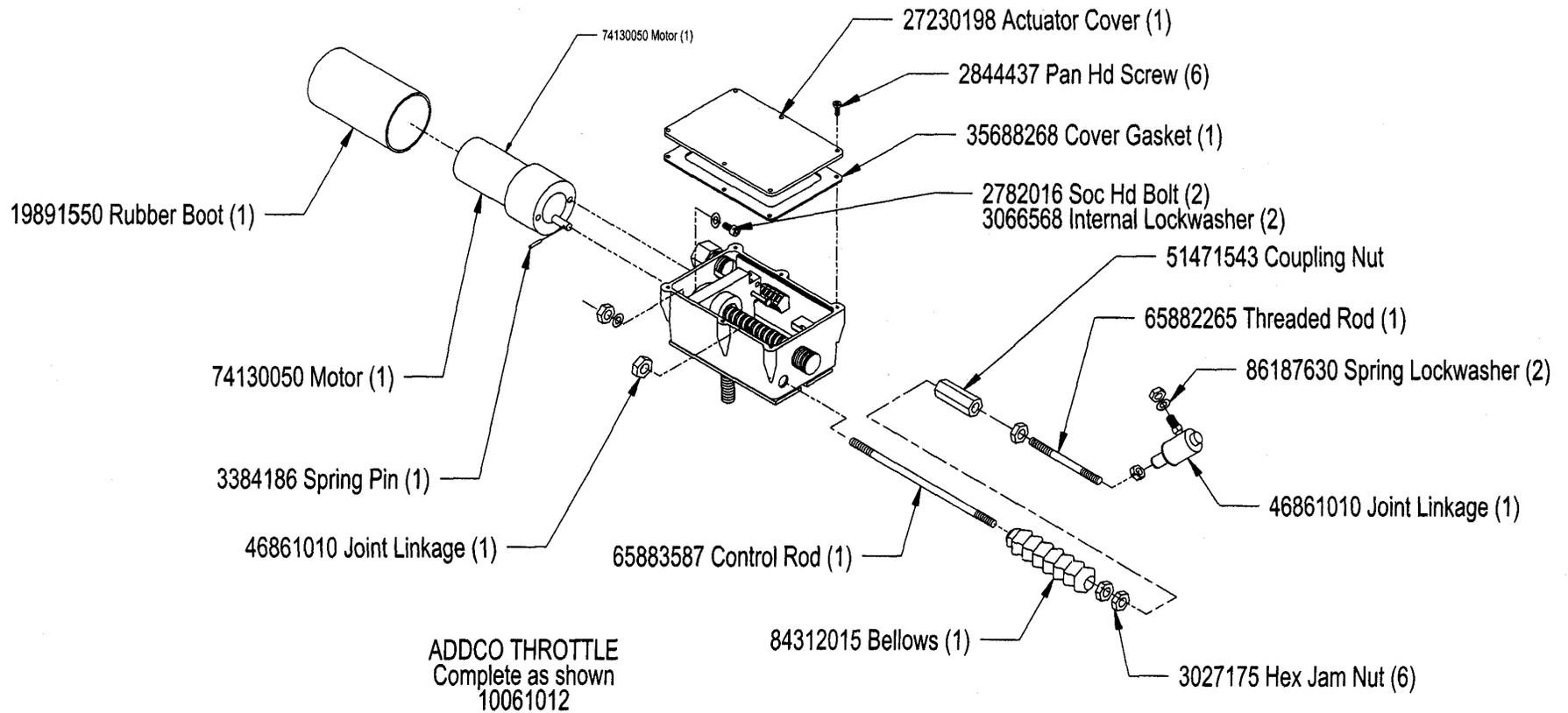


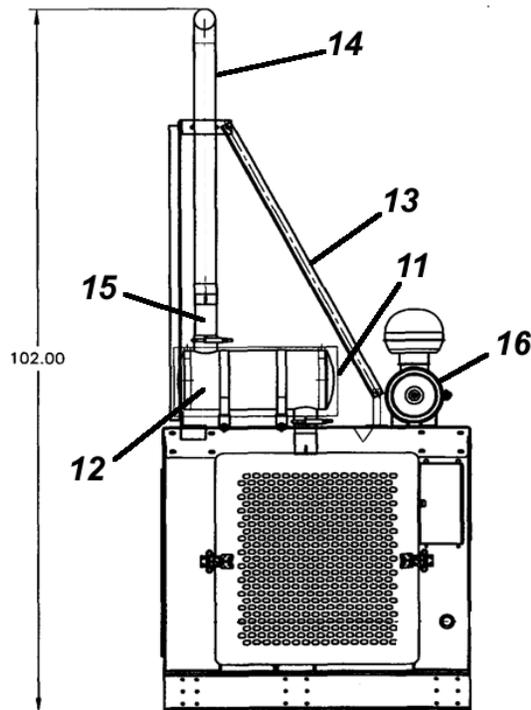
FIGURE 7CU-4. CUMMINS ENGINE B4.5T-99 with MacBone AC Pump

NOTICE

When calling Cummins NPower for support on this Engine, Reference the engine number listed below. Make certain you Have the S/N of the engine available at time of service call.

31750311

Rated Horsepower: 99hp@2200 rpm
Operating RPM: 2400 rpm high idle
1150 rpm low idle



ITEM NO.	PART NO.	DESCRIPTION	UNITS PER ASSEMBLY
1	31750311	Cummins B4.5T-P99 Engine	1
2	5128788	80 Amp Circuit Breaker	1
3☉	EE 9247	70 Amp Alternator (Delco 24SI).....	1
4	Contact Nordco	Starter Relay	1
5	10061012	Addco Throttle	1
6	80010006	Timer	1
7☉	323-099	Water Temp Sender (VDO).....	1
8	5193951	Oil Pressure Sender (VDO)	1
9☉	NE-44F941	5 Amp Circuit Breaker	1
10☉	10000167	Radiator	1
11	38042631	Muffler Heat Shield	1
12	98412436	Muffler Assembly (See Next Page)	1
13	98412437	Exhaust Pipe Brace	1
14	82655410	Tailpipe	1
15	82655411	Exhaust Pipe 3 x 9".....	1
16	Contact Nordco	Air Cleaner (AAPU10133).....	1
17☉	HD 9112	A/C Pump Drive (SAE A).....	1
18	59427970	A/C Pump	1
19☉	96412856	Pump Drive Assembly	1

CONSUMABLES/WEAR ITEMS:

20	3890205	Oil Filter (LF3805).....	1
21	3894670	Air Filter, Primary (AF25962)	1
22	3894671	Air Filter, Safety (AF25963)	1

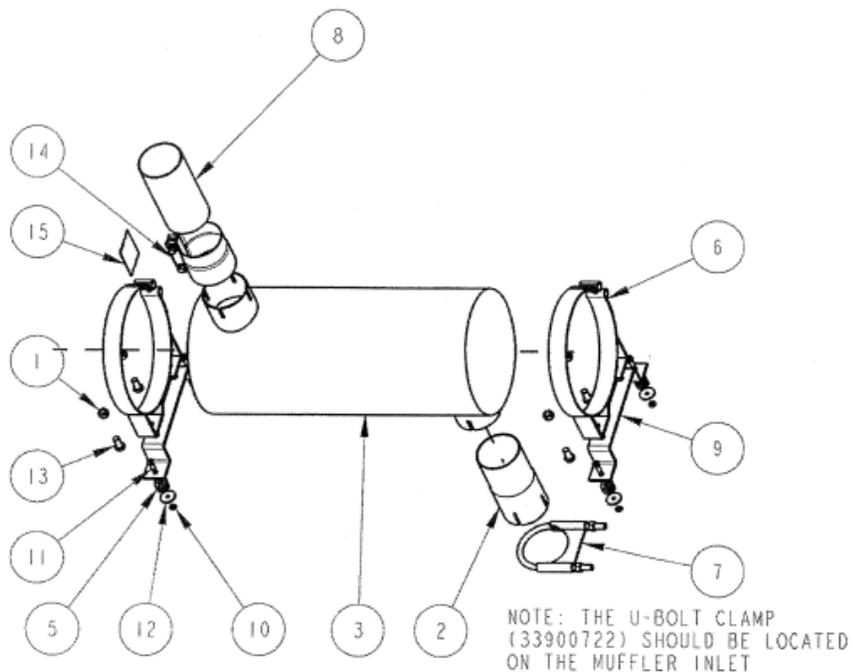
☉ This number is a Cummins or Cummins NPower Part Number

FIGURE 7CU-4. CUMMINS ENGINE B4.5T-99 with MacBone AC Pump

NOTICE

The following drawing and part numbers are
Those of Cummins NPower.

When calling Cummins NPower for support on this Engine,
Reference the engine number listed below. Make certain you
Have the S/N of the engine available at time of service call.



XHPUI0047 (XH11059) - EXHAUST SYSTEM, HORIZONTAL, ENCLOSURE, ISOLATED			
ITEM	QTY.	PART NO.	DESCRIPTION
1	4	8100019	NUT, LOCK, 3/8-16
2	1	10000137	TUBE, FORMED EXHAUST
3	1	10000520	MUFFLER, HORIZONTAL
5	4	11000330	ISOLATOR
6	2	11000419	CLAMP, MUFFLER
7	1	33908722	CLAMP, U-BOLT
9	2	70014440	BRACKET, MUFFLER
10	4	80000143	NUT, LOCK, #10-24
11	4	80000167	BOLT, SHOULDER, 1/4 X 5/8, 10-24 THD
12	4	80000168	WASHER, 13/64 ID X I
13	4	80000317	BOLT, HH, 3/8-16 X 3/4
14	1	80000721	CLAMP, BAND, 3"
15	1	80000739	GASKET, TORCTITE

FIGURE 7CU-4. CUMMINS ENGINE B4.5T-99 with MacBone AC Pump

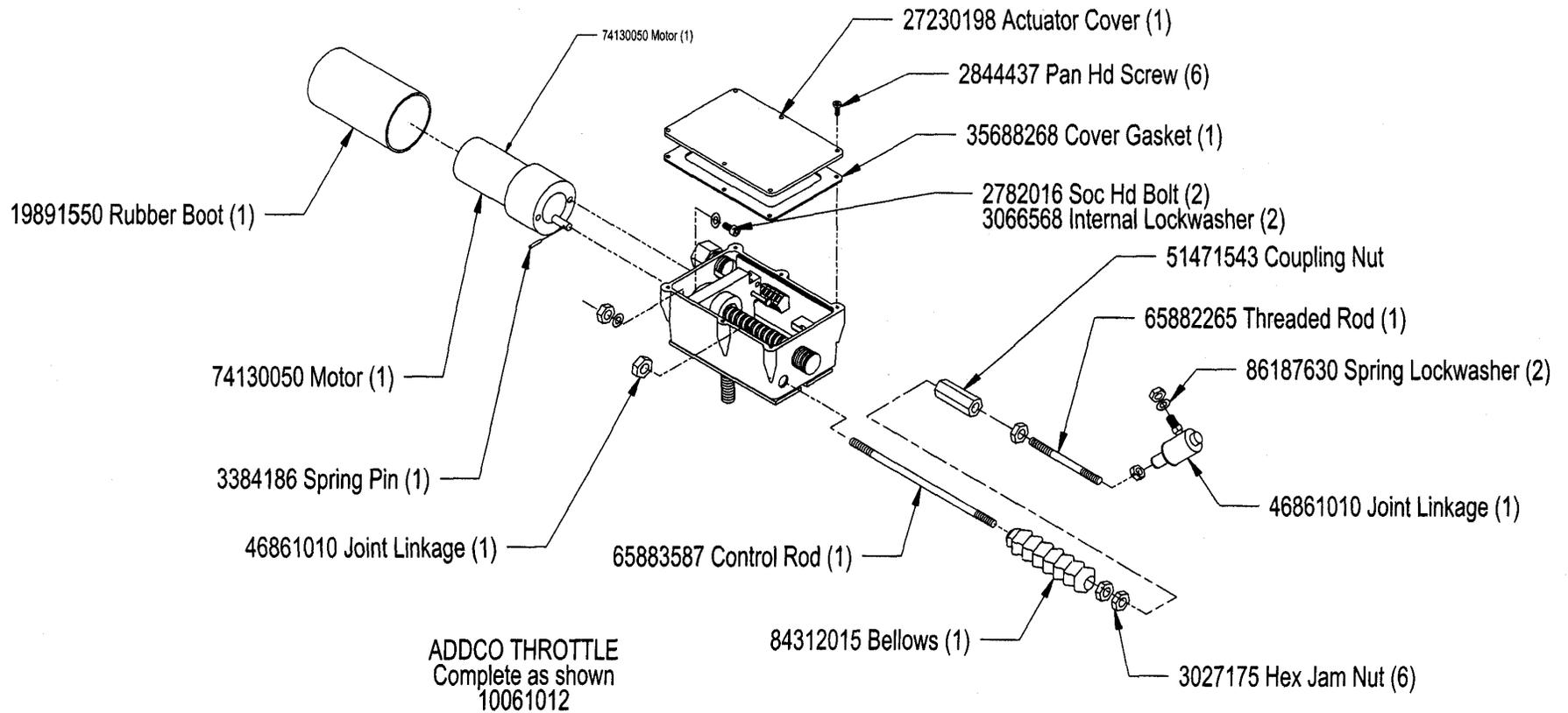


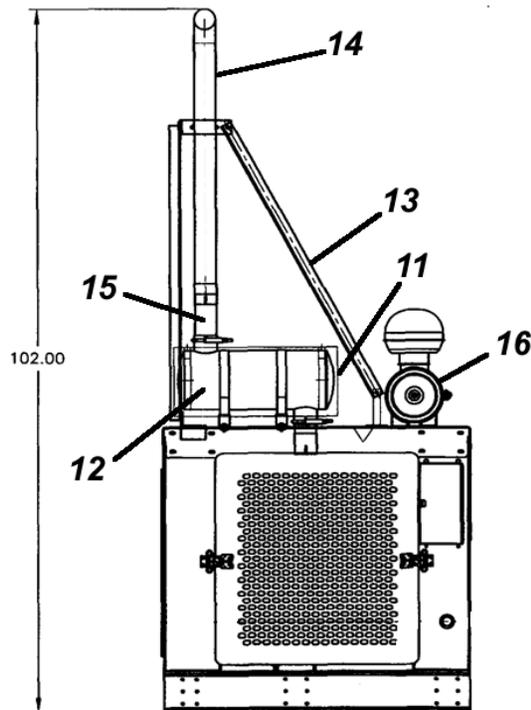
FIGURE 7CU-3. CUMMINS ENGINE B3.3-P85

NOTICE

When calling Cummins NPower for support on this Engine, Reference the engine number listed below. Make certain you Have the S/N of the engine available at time of service call.

31750245

Rated Horsepower: 80hp@2200 rpm
Operating RPM: 2400 rpm high idle
1150 rpm low idle



ITEM NO.	PART NO.	DESCRIPTION	UNITS PER ASSEMBLY
1	31750245	Cummins B3.3-P85 Engine	1
2	5128788	80 Amp Circuit Breaker	1
3☉	EE 9247	70 Amp Alternator (Delco 24SI).....	1
4	Contact Nordco	Starter Relay	1
5	10061012	Addco Throttle	1
6	80010020	Timer	1
7☉	323-099	Water Temp Sender (VDO).....	1
8	5193951	Oil Pressure Sender (VDO)	1
9☉	NE-44F941	5 Amp Circuit Breaker	1
10☉	10000167	Radiator	1
11	38042631	Muffler Heat Shield	1
12☉	1000137	Muffler	1
13	98412437	Exhaust Pipe Brace	1
14	82655410	Tailpipe	1
15	82655411	Exhaust Pipe 3 x 9".....	1
16	Contact Nordco	Air Cleaner (AAPU10083).....	1
17☉	2164	SAE C-14T SPLINE KTR 55T	1

CONSUMABLES/WEAR ITEMS:

18☉		Fuel/Water Separator (FS19732)	1
19	3890168	Fuel Filter (FS19594).....	1
20	3890206	Oil Filter (LF3970).....	1
21	50203106	BELT, Fan Eng Cummins B3.3	1
22	6040717	Air Filter, Primary (AF25557)	1
23	6040716	Air Filter, Safety (AF25964)	1

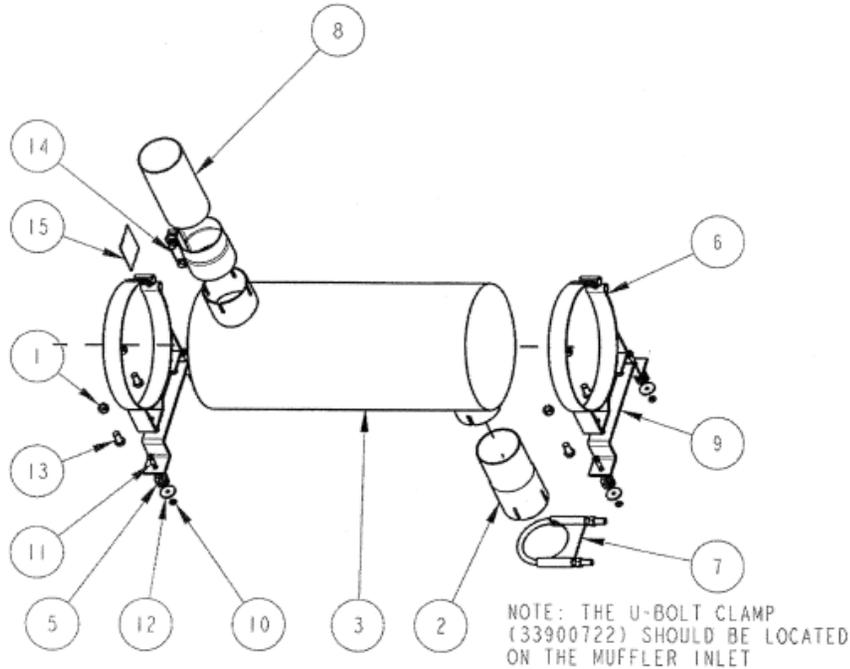
☉ This number is a Cummins or Cummins NPower Part Number

FIGURE 7CU-3. CUMMINS ENGINE B3.3-P85

NOTICE

The following drawing and part numbers are
Those of Cummins NPower.

When calling Cummins NPower for support on this Engine,
Reference the engine number listed below. Make certain you
Have the S/N of the engine available at time of service call.



XHPUI0047 (XH11059) - EXHAUST SYSTEM, HORIZONTAL, ENCLOSURE, ISOLATED			
ITEM	QTY.	PART NO.	DESCRIPTION
1	4	8100019	NUT, LOCK, 3/8-16
2	1	10000137	TUBE, FORMED EXHAUST
3	1	10000520	MUFFLER, HORIZONTAL
5	4	11000330	ISOLATOR
6	2	11000419	CLAMP, MUFFLER
7	1	33908722	CLAMP, U-BOLT
9	2	70014440	BRACKET, MUFFLER
10	4	80000143	NUT, LOCK, #10-24
11	4	80000167	BOLT, SHOULDER, 1/4 X 5/8, 10-24 THD
12	4	80000168	WASHER, 13/64 ID X I
13	4	80000317	BOLT, HH, 3/8-16 X 3/4
14	1	80000721	CLAMP, BAND, 3"
15	1	80000739	GASKET, TORCTITE

FIGURE 7CU-3. CUMMINS ENGINE B3.3-P85

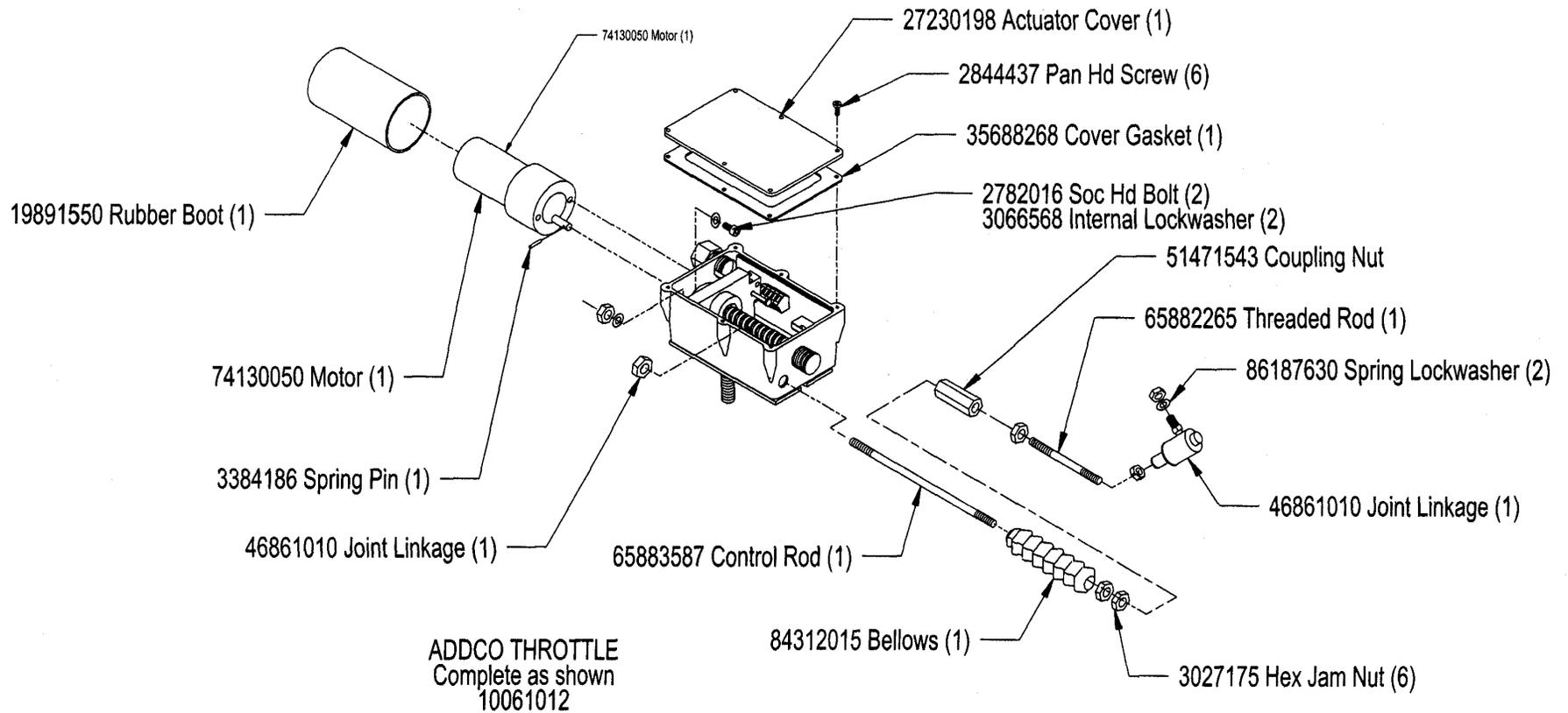


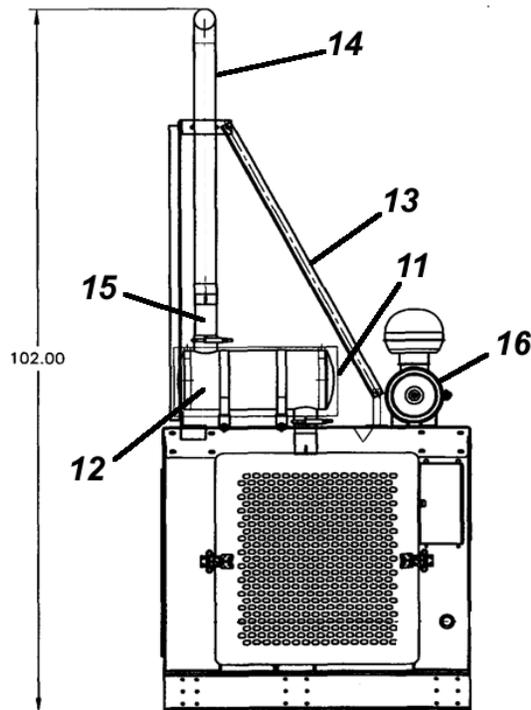
FIGURE 7CU-2. CUMMINS ENGINE B4.5T-P99

NOTICE

When calling Cummins NPower for support on this Engine, Reference the engine number listed below. Make certain you Have the S/N of the engine available at time of service call.

31750238

Rated Horsepower: 99hp@2200 rpm
Operating RPM: 2400 rpm high idle
1150 rpm low idle



ITEM NO.	PART NO.	DESCRIPTION	UNITS PER ASSEMBLY
1	31750238	Cummins B4.5T-P99 Engine	1
2	5128788	80 Amp Circuit Breaker	1
3☉	EE 9247	70 Amp Alternator (Delco 24SI).....	1
4	Contact Nordco	Starter Relay	1
5	10061012	Addco Throttle	1
6	80010006	Timer	1
7☉	5193962	Water Temp Sender (VDO).....	1
8	5193951	Oil Pressure Sender (VDO)	1
9☉	NE-44F941	5 Amp Circuit Breaker	1
10☉	10000167	Radiator	1
11	38042631	Muffler Heat Shield	1
12	98412436	Muffler Assembly (See Next Page)	1
13	98412437	Exhaust Pipe Brace	1
14	82655410	Tailpipe	1
15	82655411	Exhaust Pipe 3 x 9".....	1
16	Contact Nordco	Air Cleaner (AAPU10133).....	1
17☉		SAE "C" 14T HUB HYD PUMP DRIVE.....	1
18☉		SAE "C" 4 BOLT HYD PUMP MTG PLATE	1
19☉		KTR 10" FLANGE	1
20	22311162	HARNESS, Internal Engine	1
21	96411003	HARNESS, Engine to Junction Box	1

CONSUMABLES/WEAR ITEMS:

22	3894670	Air Filter, Primary	1
23	3894671	Air Filter, Safety	1
24	3890205	Oil Filter (LF3805)	1

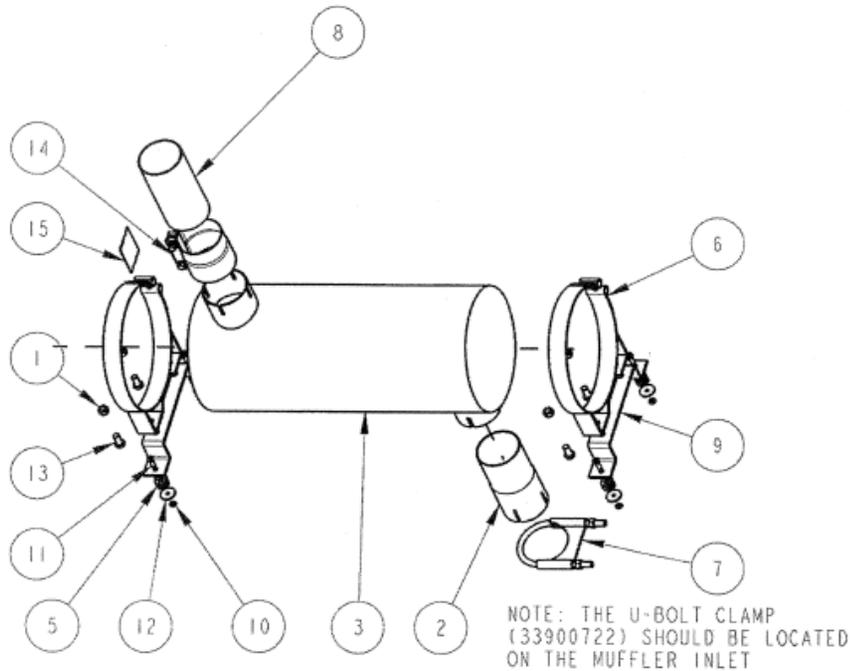
☉ This number is a Cummins or Cummins NPower Part Number

FIGURE 7CU-2. CUMMINS ENGINE B4.5T-P99

NOTICE

The following drawing and part numbers are
Those of Cummins NPower.

When calling Cummins NPower for support on this Engine,
Reference the engine number listed below. Make certain you
Have the S/N of the engine available at time of service call.



XHPUI0047 (XH11059) - EXHAUST SYSTEM, HORIZONTAL, ENCLOSURE, ISOLATED			
ITEM	QTY.	PART NO.	DESCRIPTION
1	4	8100019	NUT, LOCK, 3/8-16
2	1	10000137	TUBE, FORMED EXHAUST
3	1	10000520	MUFFLER, HORIZONTAL
5	4	11000330	ISOLATOR
6	2	11000419	CLAMP, MUFFLER
7	1	33908722	CLAMP, U-BOLT
9	2	70014440	BRACKET, MUFFLER
10	4	80000143	NUT, LOCK, #10-24
11	4	80000167	BOLT, SHOULDER, 1/4 X 5/8, 10-24 THD
12	4	80000168	WASHER, 13/64 ID X I
13	4	80000317	BOLT, HH, 3/8-16 X 3/4
14	1	80000721	CLAMP, BAND, 3"
15	1	80000739	GASKET, TORCTITE

FIGURE 7CU-2. CUMMINS ENGINE B4.5T-P99

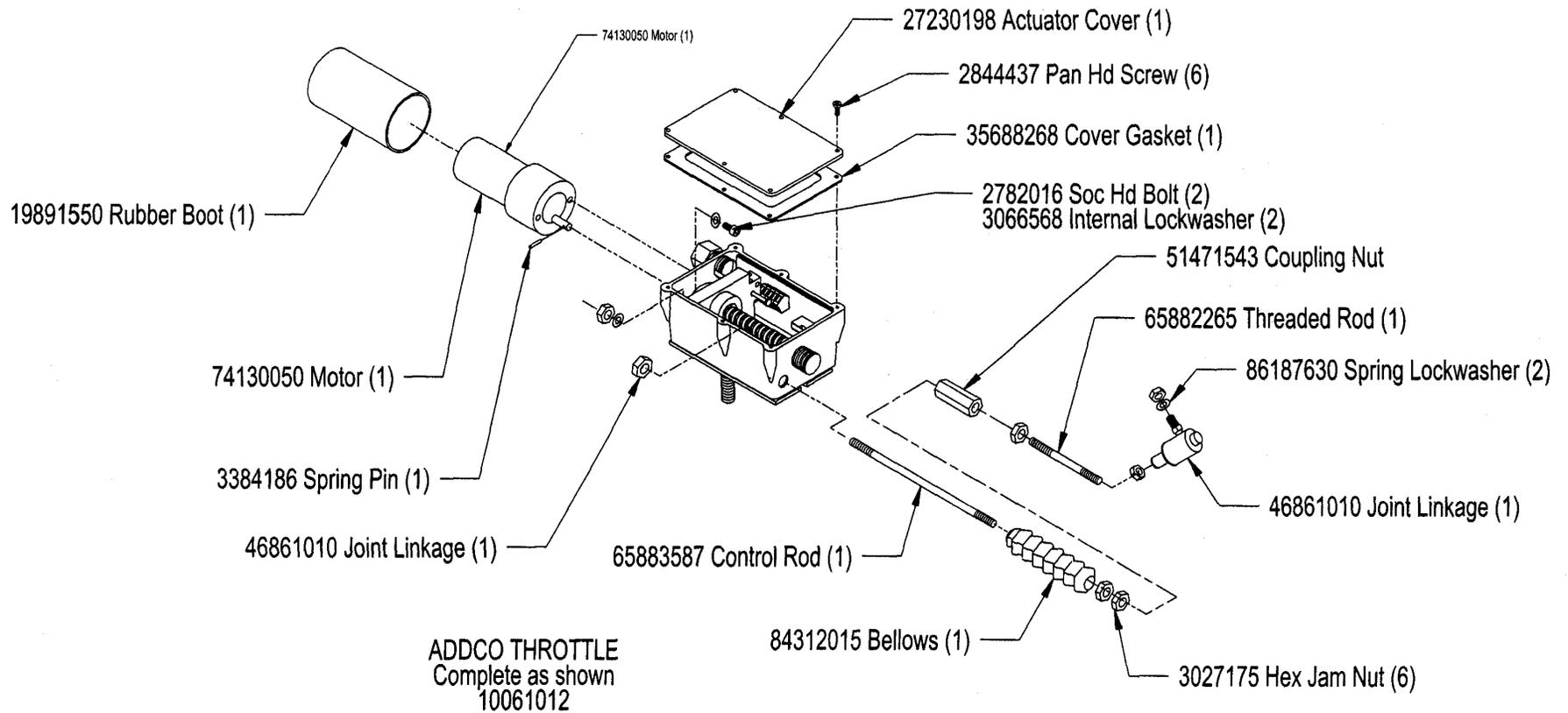


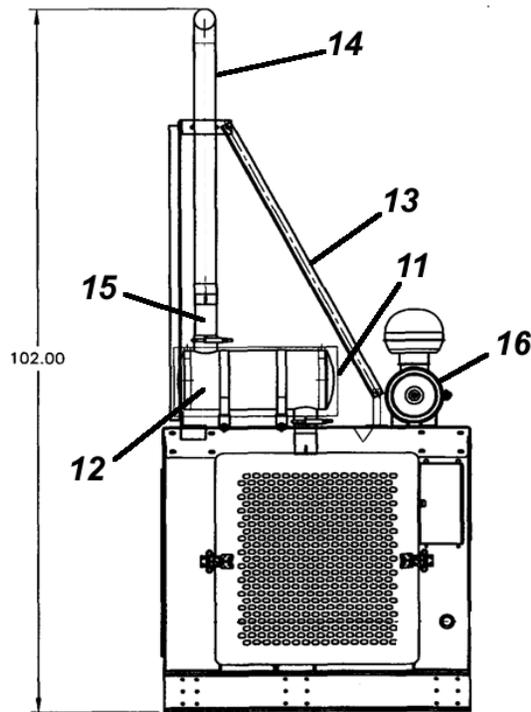
FIGURE 7CU-1. CUMMINS ENGINE 4BT3.9

NOTICE

When calling Cummins NPower for support on this Engine, Reference the engine number listed below. Make certain you Have the S/N of the engine available at time of service call.

31750209

Rated Horsepower: 90hp@2200 rpm
Operating RPM: 2400 rpm high idle
1150 rpm low idle



ITEM NO.	PART NO.	DESCRIPTION	UNITS PER ASSEMBLY
1	31750209	Cummins 4BT3.9 Engine	1
2	5128788	80 Amp Circuit Breaker	1
3☉	EE 9247	70 Amp Alternator (Delco 24SI).....	1
4	Contact Nordco	Starter Relay	1
5	74130043	Throttle Solenoid (Trombetta).....	1
6	80010020	Timer	1
7☉	323-099	Water Temp Sender (VDO).....	1
8	5193951	Oil Pressure Sender (VDO)	1
9☉	NE-44F941	5 Amp Circuit Breaker	1
10☉	10000167	Radiator	1
11	38042631	Muffler Heat Shield	1
12	50497160	Muffler	1
13	98412437	Exhaust Pipe Brace	1
14	82655410	Tailpipe	1
15	82655411	Exhaust Pipe 3 x 9".....	1
16	Contact Nordco	Air Cleaner (AAPU10016).....	1
17☉		SAE "C" 14T HUB HYD PUMP DRIVE.....	1
18☉		SAE "C" 4 BOLT HYD PUMP MTG PLATE	
19☉		KTR 10" FLANGE	1

CONSUMABLES/WEAR ITEMS:

20	3894622	Air Filter, Primary	1
21	3894630	Air Filter, Safety	1
22	3890205	Oil Filter (LF3805).....	1

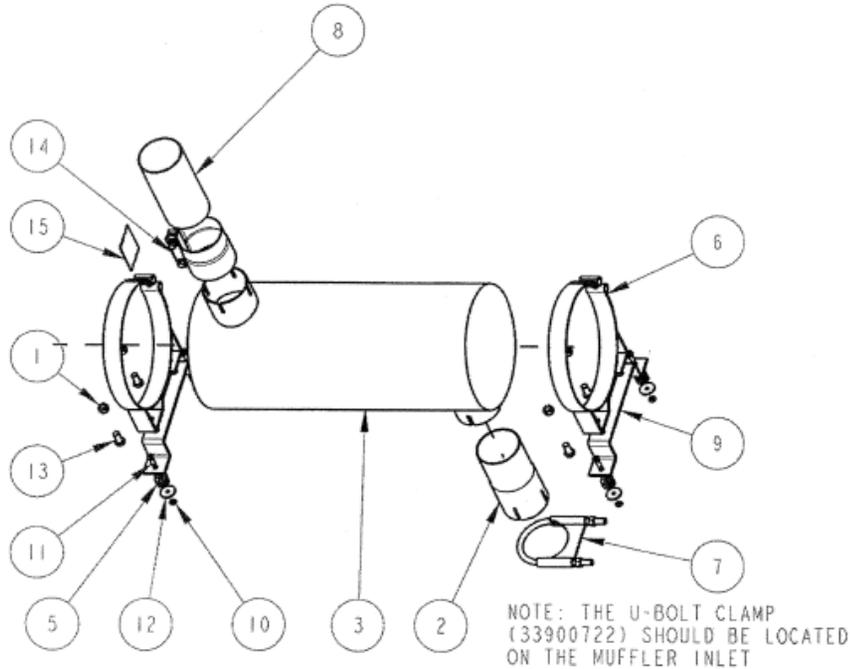
☉ This number is a Cummins or Cummins NPower Part Number

FIGURE 7CU-1. CUMMINS ENGINE 4BT3.9

NOTICE

The following drawing and part numbers are
Those of Cummins NPower.

When calling Cummins NPower for support on this Engine,
Reference the engine number listed below. Make certain you
Have the S/N of the engine available at time of service call.



XHPUI0047 (XH11059) - EXHAUST SYSTEM, HORIZONTAL, ENCLOSURE, ISOLATED			
ITEM	QTY.	PART NO.	DESCRIPTION
1	4	8100019	NUT, LOCK, 3/8-16
2	1	10000137	TUBE, FORMED EXHAUST
3	1	10000520	MUFFLER, HORIZONTAL
4	4	11000330	ISOLATOR
5	2	11000419	CLAMP, MUFFLER
6	1	33908722	CLAMP, U-BOLT
7	2	70014440	BRACKET, MUFFLER
8	4	80000143	NUT, LOCK, #10-24
9	4	80000167	BOLT, SHOULDER, 1/4 X 5/8, 10-24 THD
10	4	80000168	WASHER, 13/64 ID X 1
11	4	80000317	BOLT, HH, 3/8-16 X 3/4
12	1	80000721	CLAMP, BAND, 3"
13	1	80000739	GASKET, TORQTITE

FIGURE 7CU-1. CUMMINS ENGINE 4BT3.9

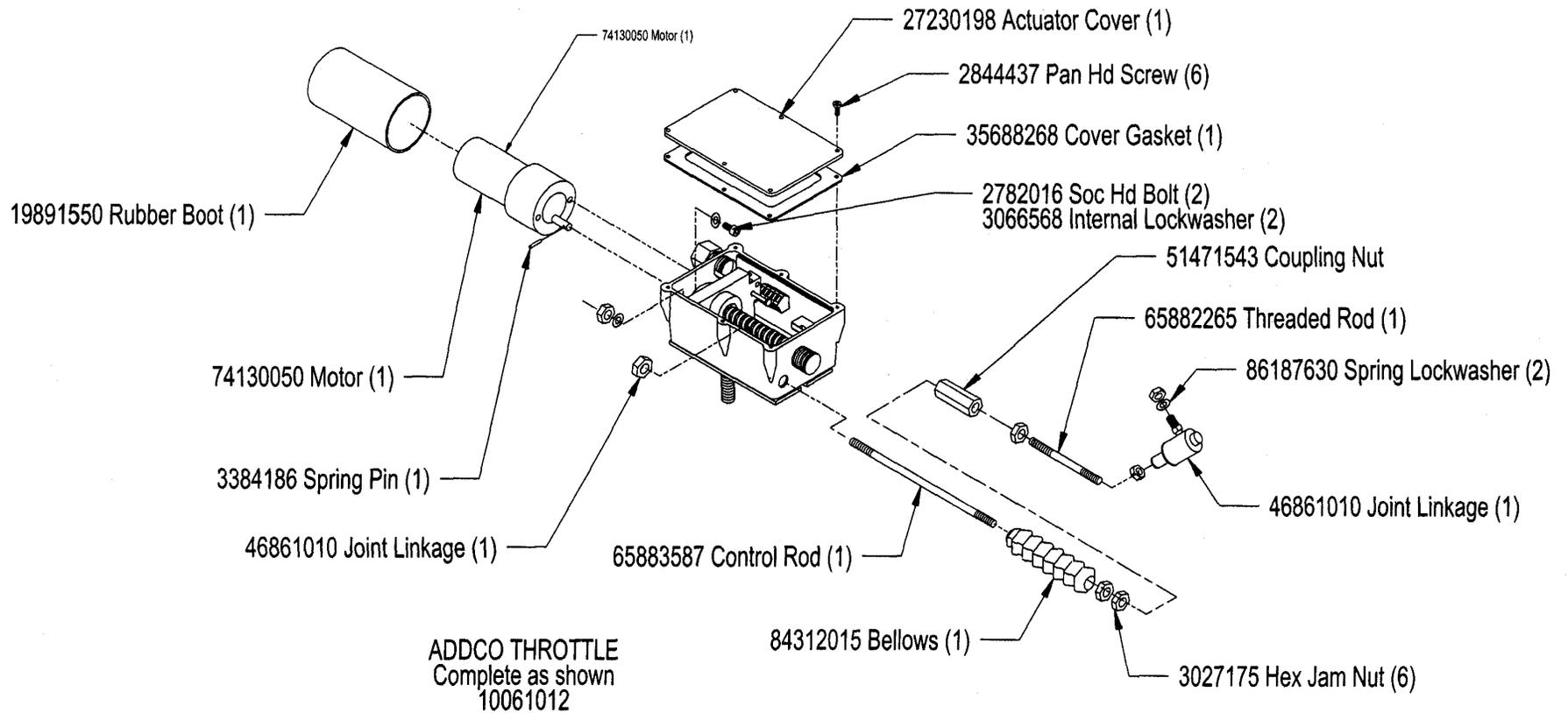
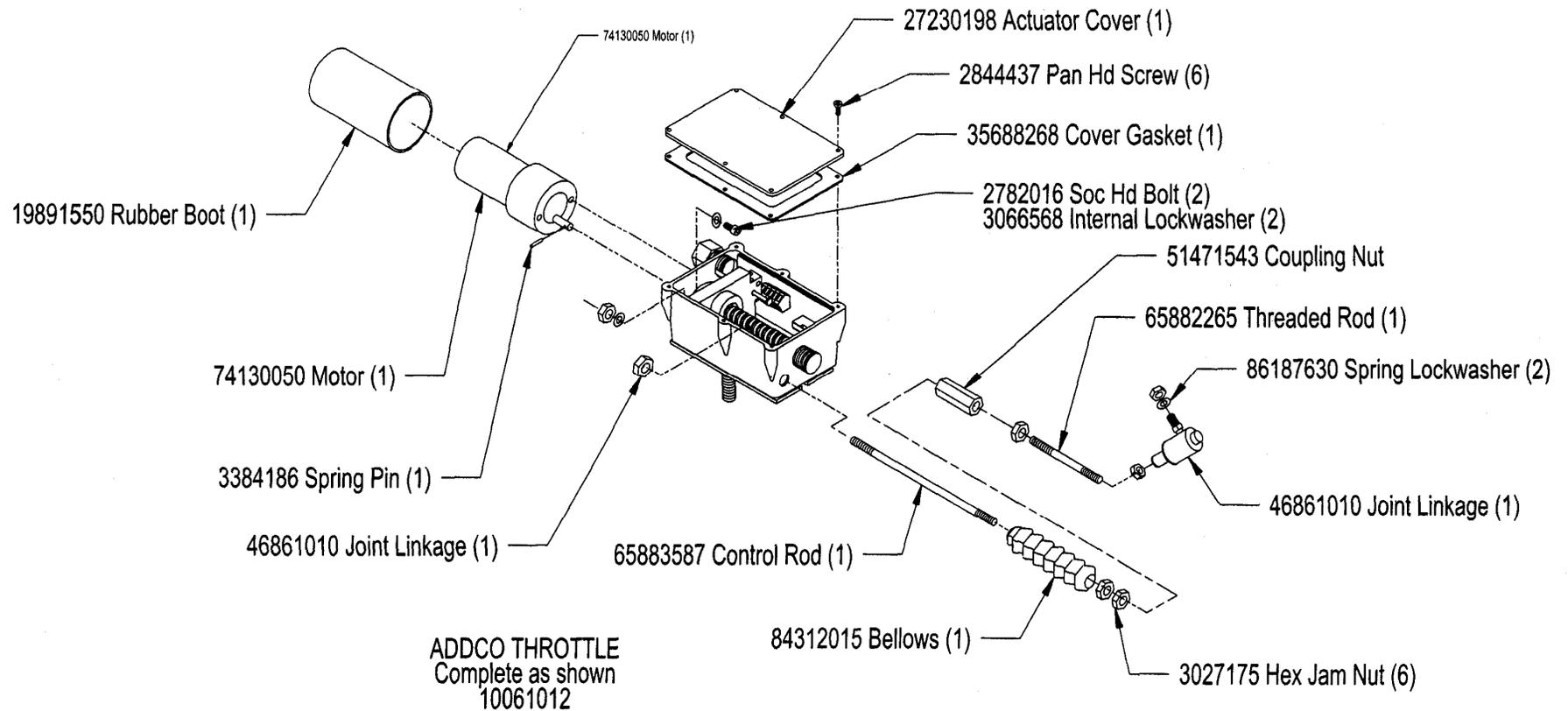
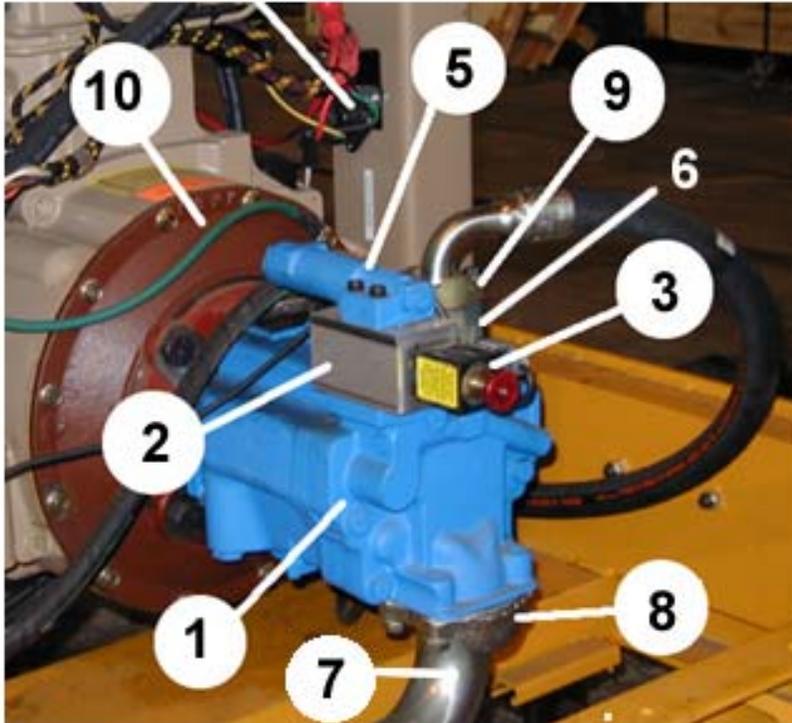


FIGURE 7JD-20. JOHN DEERE ENGINE 4045HF with AC Compressor



**FIGURE 7P-1. PUMP
 PVH098
 S/N 410500-410695, Except RBUG's**



ITEM NO.	PART NO.	DESCRIPTION	UNITS PER ASSEMBLY
----------	----------	-------------	--------------------

NOTE: Item 1 (Pump) is no longer available for purchase. Items 2-5 are still available as repair part items. Refer to Figure 41RB-7P-1A when ordering a new pump.

1	59427921	Main Pump (Vickers PVH098 - 24V, 60GPM)	1
2	54218492	Destroke Valve	1
3	1698956	Destroke Valve Cartridge	1
4	25534019	Valve Coil	1
5	25700101	Compensator	1
6	1702100	Inline Check Valve	1
7	1990825	90° Split Flange Nipple – 2-1/2"	1
8	32510040	Split Flange Kit, 2-1/2"	1
--	35705451	O-Ring	1
9	32510032	Split Flange Kit, 1"	1
10	96350866	Funk Pump Drive (Not part of pump)	REF

The following are used to mount the pump to the pump drive:

15*	2775301	HH Capscrew, 1/2 x 1-1/2	4
16*	3064476	1/2" Lockwasher	4
17*	3060476	1/2" SAE Washer	4

⓪ Includes Flanges, O-Ring, Capscrews, and lockwashers

**FIGURE 7P-1A. PUMP
PVM098
S/N 410696 AND ABOVE**

