

CONNECTOR REFERENCE

CONN	# OF PINS	PIN SIDE LOCATION	SOCKET SIDE LOCATION
P30	3	HARNESS, FRAME	FILTER, MAIN RETURN
P31	3	HARNESS, FRAME	FILTER, CASE DRAIN
P34	3	HARNESS, FRAME	FILTER, PRESSURE - IMPL.
P36	4	PUMP CONTROL	HARNESS, FRAME
P45	2	HARNESS, FRAME	SWITCH, HYD OIL LEVEL
P48	2	HARNESS, FRAME	SWITCH, HYD OIL TEMP
P59	3	HARNESS, FRAME	FILTER, SNOWBLOWER RETURN
P68	3	HARNESS, CAB	THROTTLE (POTENTIOMETER)
P72	40	HARNESS, CAB WALL	HARNESS, ENGINE
P78	2	COOLER, MAIN OIL	HARNESS, FRAME
P79	1	COOLER, TRANSMISSION OIL	HARNESS, FRAME
P80	2	PERIMETER LT.,FRONT LH @ ENG.	HARNESS, FRAME
P81	2	PERIMETER LT.,FRONT CENTER @ ENG.	HARNESS, FRAME
P82	2	PERIMETER LT.,FRONT RH @ ENG.	HARNESS, FRAME
P92	2	WIPER, FRONT LEFT	HARNESS, CAB
P93	2	WIPER, FRONT RIGHT	HARNESS, CAB
P94	2	WIPER, FRONT UPPER	HARNESS, CAB
P125	21	HARNESS, JD ENGINE	JD ENGINE
P130	2	HARNESS, CAB LIGHTING	LIGHT, LEFT PERIMETER
P131	2	WIPER, LEFT SIDE WINDOW	HARNESS, CAB LIGHTING
P132	2	CAB FAN, RIGHT REAR	HARNESS, CAB LIGHTING
P133	2	HARNESS, CAB LIGHTING	LIGHT, LEFT WORK
P134	2	HARNESS, CAB LIGHTING	LIGHT, LEFT WORK
P135	3	BRAKE LIGHT, FRONT LEFT	HARNESS, CAB LIGHTING
P136	2	TRAVEL LIGHT, FRONT LEFT	HARNESS, CAB LIGHTING
P137	4	LOCOMOTIVE LIGHTS, FRONT	HARNESS, CAB LIGHTING
P138	2	TRAVEL LIGHT, FRONT RIGHT	HARNESS, CAB LIGHTING
P139	2	HARNESS, CAB LIGHTING	ALARM, FRONT BACK-UP
P140	3	BRAKE LIGHT, FRONT RIGHT	HARNESS, CAB LIGHTING
P141	2	HARNESS, CAB LIGHTING	LIGHT, RIGHT WORK
P142	2	HARNESS, CAB LIGHTING	LIGHT, RIGHT WORK
P143	2	WIPER, RIGHT SIDE WINDOW	HARNESS, CAB LIGHTING
P144	2	HARNESS, CAB LIGHTING	LIGHT, RIGHT PERIMETER
P145	2	CAB FAN	HARNESS, CAB LIGHTING
P146	2	BRAKE LIGHT, REAR LEFT	HARNESS, CAB LIGHTING
P147	2	WIPER, REAR WINDOW	HARNESS, CAB LIGHTING
P148	2	TRAVEL LIGHT, REAR LEFT	HARNESS, CAB LIGHTING
P149	2	CAB FAN, FRONT RIGHT	HARNESS, CAB LIGHTING
P150	2	HARNESS, CAB LIGHTING	LIGHT, REAR WORK
P151	4	LOCOMOTIVE LIGHTS, REAR	HARNESS, CAB LIGHTING
P152	2	STROBE/BEACON	HARNESS, CAB LIGHTING
P153	2	HARNESS, CAB LIGHTING	LIGHT, REAR PERIMETER
P154	2	TRAVEL LIGHT, REAR RIGHT	HARNESS, CAB LIGHTING
P155	2	HARNESS, CAB LIGHTING	ALARM, REAR BACK-UP
P156	2	BRAKE LIGHT, REAR RIGHT	HARNESS, CAB LIGHTING
P157	1	HARNESS, ENGINE	CLUTCH, A/C
P158	2	CAB FAN, FRONT LEFT	HARNESS, CAB LIGHTING
P164	6	HARNESS, CAB	MURPHYLINK
P201	12	JB1	HARNESS, JB1-4
P202	12	JB2	HARNESS, JB1-4
P203	12	JB3	HARNESS, JB1-4
P204	12	JB4	HARNESS, JB1-4
P205	12	JB5	CABLE, JB5
P206	12	JB6	CABLE, JB6
P207	12	JB7	CABLE, JB7
P208	12	JB8	CABLE, JB8
P210	12	HARNESS, CAB WALL	HARNESS, JB1-4

CONNECTOR REFERENCE (continued)

CONN	# OF PINS	PIN SIDE LOCATION	SOCKET SIDE LOCATION
P215	12	HARNESS, CAB WALL/CAB	CABLE, JB5
P216	12	HARNESS, CAB WALL/CAB	CABLE, JB6
P217	12	HARNESS, CAB WALL/CAB	CABLE, JB7
P218	12	HARNESS, CAB WALL/CAB	CABLE, JB8
P219	12	HARNESS, CAB WALL/SEAT	HARNESS, PROP. CONTROL
P220	4	VALVES, PROP.	HARNESS, PROP. CONTROL
P221	4	VALVES, PROP.	HARNESS, PROP. CONTROL
P222	4	VALVES, PROP.	HARNESS, PROP. CONTROL
P223	4	VALVES, PROP.	HARNESS, PROP. CONTROL
P231	2	HARNESS, FRAME	SHUNT, AMMETER
P250	29	HARNESS, CAB WALL / CAB	HARNESS, FRAME
P251	3	HARNESS, FRAME	SWITCH, TURNTABLE LIMIT RH
P252	3	HARNESS, FRAME	SWITCH, TURNTABLE LIMIT LH
P300	40	CONSOLE, OH	HARNESS, CAB LIGHTING
P305	2	HARNESS, CAB LIGHTING	COMPRESSOR, HORN
P306	2	HARNESS, CAB LIGHTING	COMPRESSOR, HORN
P349	8	HARNESS, BRAKE & A/C	HARNESS, CAB
P350	70	PANEL, CC LEFT	HARNESS, CAB
P351	2	PANEL, CC LEFT	BUTTON, YELLOW INTERLOCK
P352	8	HARNESS, BRAKE, HEAT & A/C	UNIT, A/C
P353	4	HEATER, DEFROST	HARNESS, BRAKE & A/C
P354	2	CONVERTER, 12V	RADIO
P355	24	HARNESS, CAB	PANEL, FRONT CC
P356	4	HARNESS, CAB	CONVERTER, 12V
P357	12	JOYSTICK, LEFT	HARNESS, SEAT/JOYSTICK
P358	12	JOYSTICK, FRONT RIGHT	HARNESS, SEAT/JOYSTICK
P359	12	JOYSTICK, REAR RIGHT	HARNESS, SEAT/JOYSTICK
P360	12	PANEL, CC RIGHT	HARNESS, CAB
P363	8	JOYSTICK, EDC	HARNESS, CAB
P364	6	PLOW, FRONT EXT/RET	HARNESS, SEAT/JOYSTICK
P365	12	HARNESS, CAB	PANEL, TOP CC
P366	70	CONSOLE, OH	HARNESS, CAB
P367	6	JOYSTICK, LEFT	HARNESS, SEAT/JOYSTICK
P368	6	JOYSTICK, FRONT RIGHT	HARNESS, SEAT/JOYSTICK
P369	6	JOYSTICK, REAR RIGHT	HARNESS, SEAT/JOYSTICK
P370	40	HARNESS, CAB	HARNESS, SEAT/JOYSTICK
P371	3	SPEEDOMETER	HARNESS, CAB
P372	2	HARNESS, BRAKE & A/C	PEDAL, BRAKE
P373	2	HARNESS, BRAKE & A/C	PEDAL, REAR BRAKE
P374	1	HARNESS, FRAME	SENDER, OIL TEMP
P376	6	HARNESS, CAB	PANEL, CC RIGHT
P377	2	FANS, A/C EVAPORATOR	HARNESS, CAB LIGHTING
P378	2	HARNESS, CAB LIGHTING	SWITCH, A/C TEMP.
P379	2	HARNESS, CAB LIGHTING	PRESSURIZER
P380	7	HARNESS, CAB	PANEL, LEFT CC
P381	2	HARNESS, CAB	CONSOLE, OH
P382	40	PANEL, DISTRIBUTION	HARNESS, CAB
P383	2	CONTROLLER, MAIN OIL COOLER	HARNESS, FRAME
P384	6	CONTROLLER, MAIN OIL COOLER	HARNESS, FRAME
P385	12	HARNESS, GRAPHIC TERMINAL	HARNESS, TRANSMITTERS
P386	3	HARNESS, TRANSMITTERS	TRANSMITTER, TRACK DRIVE
P387	3	HARNESS, TRANSMITTERS	TRANSMITTER, BROOM
P388	3	HARNESS, TRANSMITTERS	TRANSMITTER, IMPLEMENT
P389	3	HARNESS, TRANSMITTERS	TRANSMITTER, CHARGE
P390	12	CONVERTER, POWER	HARNESS, GRAPH TERMINAL
P391	12	TERMINAL, GRAPHICAL	HARNESS, GRAPH TERMINAL
P392	40	HARNESS, CUMMINS ENGINE	CUMMINS ENGINE

CONNECTOR REFERENCE (continued)

CONN	# OF PINS	PIN SIDE LOCATION	SOCKET SIDE LOCATION
P393	4	HARNESS, CUMMINS POWER	POWER, CUMMINS
P394	9	CONN, ENG. DIAGNOSTIC	CONSOLE, OH
P395	8	HARNESS, CAB WALL/CAB	ENGINE DIAGNOSTICS
P396	3	LIGHT, FRONT DOME	HARNESS, CAB LIGHTING
P403	3	FAN, CAB REAR LEFT	HARNESS, CAB LIGHTING
P404	3	LIGHT, DOME REAR	HARNESS, CAB LIGHTING
P405	5	PLOW, FRONT HEIGHT & FLOAT	HARNESS, SEAT/JOYSTICK

SHEET	CB	AMP	CB-LOC	COMPONENT DESCRIPTION
1				CONNECTOR, DRAWING & SHEET REFERENCE
2				DRAWING LEGEND
3	CB50 CB70 CB71	15A 10A 25A		BATTERIES, ESPAR & IGNITION CIRCUIT IGNITION CIRCUIT 12V/24V CONVERTER & RADIO TIMER
4	CB57	6A	CCLP	JOHN DEERE DIESEL ENGINE
5	CB57	6A	CCLP	CUMMINS DIESEL ENGINE
6	CB32 CB31	20A 15A	OC	HYD PRESSURE GAUGE SYSTEM - OPTION HIGH CURRENT TRAVEL ALARM - OPTION STROBE, DOME LIGHTS & CAB FANS
7	CB33	20A	OC	TRAVEL ALARM TRAVEL, BRAKE & MARKER LIGHTS TRACK DRIVE MOTOR VALVE SOLENOID
8	CB34 CB35 CB36	20A 20A 20A	OC	WORK LIGHTS LOCOMOTIVE LIGHTS - OPTION PERIMETER LIGHTS - OPTION
9	CB41	20A	OC	WINDSHIELD WIPERS ((FRONT & REAR) WINDSHIELD WIPERS - OPTION (Left & Right)
10	CB42	10A	OC	GAUGES
11	CB43 CB44 CB45	10A 10A 10A	OC OC OC	PRESSURIZER EMERGENCY PUMP & FILTER STATUS LIGHTS OVERHEAD CABINET LIGHTING - OPTION
12	CB51 CB52	30A 15A	CCLP CCLP	IMPLEMENT PUMP OIL COOLER TRANS OIL COOLER
13	CB53 CB54 CB55	20A 15A 15A	CCLP CCLP CCLP	AIR VENT & LEFT SIDE DEFROST AIR CONDITIONING RIGHT SIDE DEFROST
14	CB56	25A	CCLP	HORNS, TURNTABLE POWER LOCK-UP & INTERLOCK
15	CB61	20A	CCLP	BRAKES - (See Sht 7 for Brake Lights) TURNTABLE MONITOR - OPTION HYDRAULIC OIL MONITOR - OPTION
16	CB62 CB66	10A 10A	CCLP CCLP	PROPORTIONAL JOYSTICK CONTROL JOYSTICK ON-OFF SWITCH DUAL JOYSTICKS ON/OFF - OPTION RH FRONT & RH REAR JOYSTICK BASE
17	CB63	15A	CCLP	BROOM SNOWBLOWER & TILT TABLE STONE DEFLECTOR - OPTION WINTER WARM-UP
18	CB64	20A	CCLP	BALLAST WINGS INNER DOOR (In/Out) - OPTION SNOW WINGS LOCK-UP - OPTION
19	CB65	15A	CCLP	FRONT PLOW
20				LH JOYSTICK BUTTON FUNCTIONS w/o Trigger
21				LH JOYSTICK BUTTON FUNCTIONS w/ Trigger
22				RH JOYSTICK BUTTON FUNCTIONS w/o Trigger
23				RH JOYSTICK BUTTON FUNCTIONS w/ Trigger
24				TRANSMISSION, ELECTRONIC DRIVE CONTROL (EDC)
25				REVISION HISTORY

OC = Overhead Console)
CCLP = Center Console Left Panel)

ELECTRICAL DRAWING REFERENCE

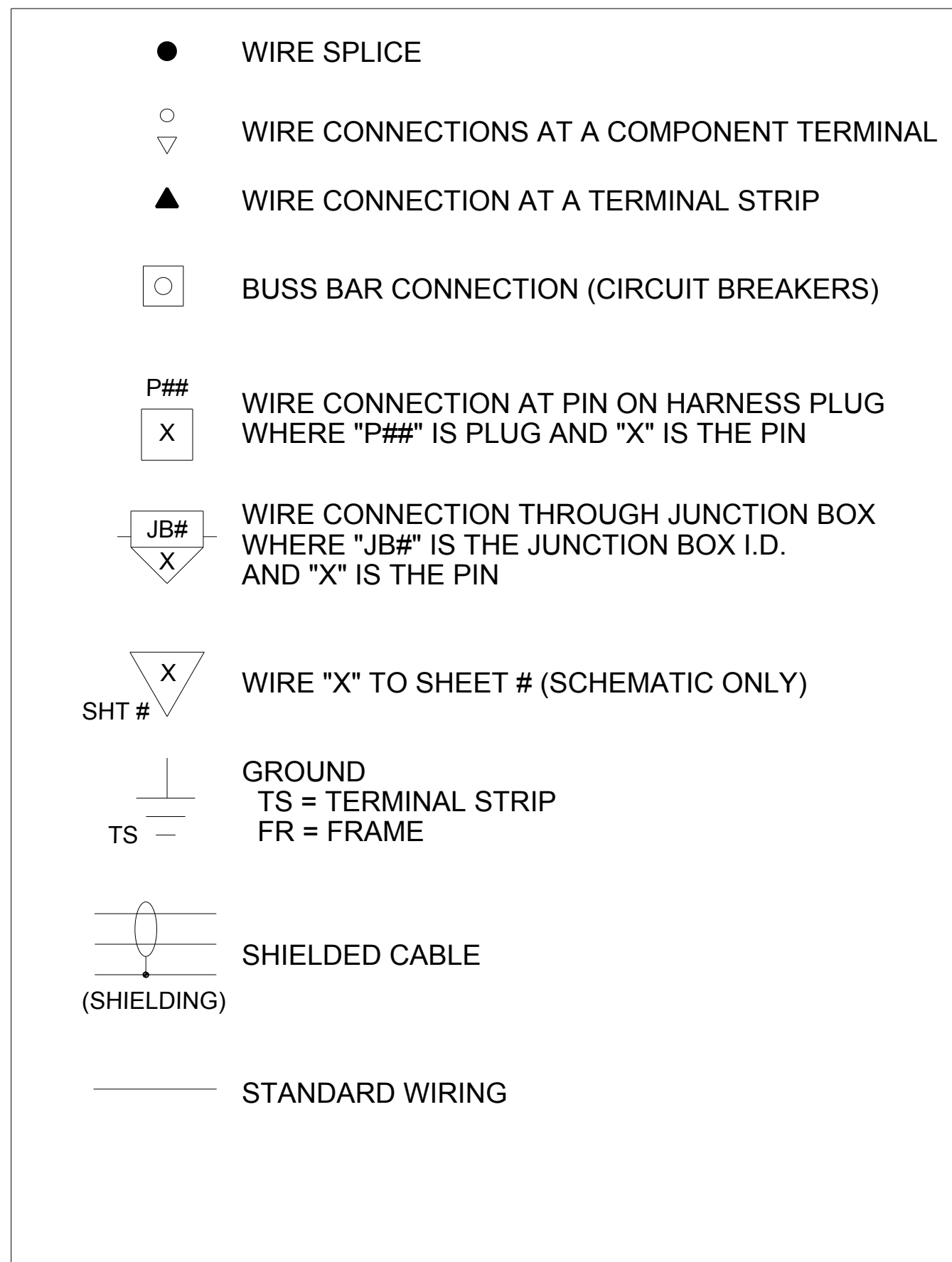
DESCRIPTION	DRAWING NUMBER
LEFT JOYSTICK ASSY.	26609038
RIGHT JOYSTICK ASSY.	26609039
REAR JOYSTICK ASSY.	26609041
SEAT/JOYSTICK HARNESS	42350152
DUAL JOYSTICK HARNESS	42350240
CAB HARNESS	42350153
CAB LIGHTING HARNESS	42350154
FRAME HARNESS	42350155
CENTER CONSOLE TOP	520214
CENTER CONSOLE RIGHT	520215
DISTRIBUTION PANEL MODS	520218
ENGINE HARNESS (J.D.)	520224
BRAKES / HEAT / A/C HARNESS	520226
PROP. CONTROL HARNESS	520227
JB1-4 HARNESS	520228
EDC JOYSTICK	520234
DISTRIBUTION PANEL (CC LEFT)	520289
HYDR OIL COOLER FAN	520292
HYDR OIL COOLER CONTROLLER	520293
TRANSMITTERS HARNESS	520299
GRAPH TERMINAL HARNESS	520300
ENGINE HARNESS (CUMMINS)	520311
ENGINE HARNESS POWER (CUMMINS)	520319
OH CONSOLE WITH MODS	96800010
CENTER CONSOLE FRONT	96800023
CABLING DRAWING	97801004

S/N800500 & UP

SEE LAST SHEET	JWW 11-14-13	601155	200 MACHINE FINISH UNLESS OTHERWISE STATED	THIRD ANGLE PROJECTION
CHANGE	DRAWN BY: DATE:	E.C.O.#	PLANE ANGLES W/ F°	ASSEMBLY:-

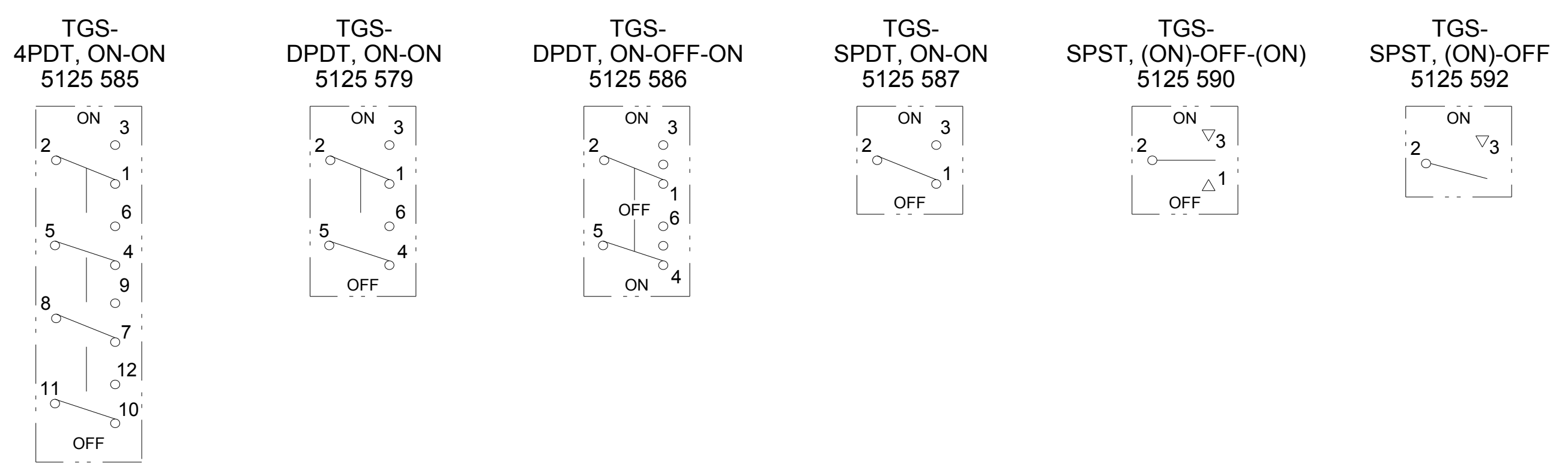
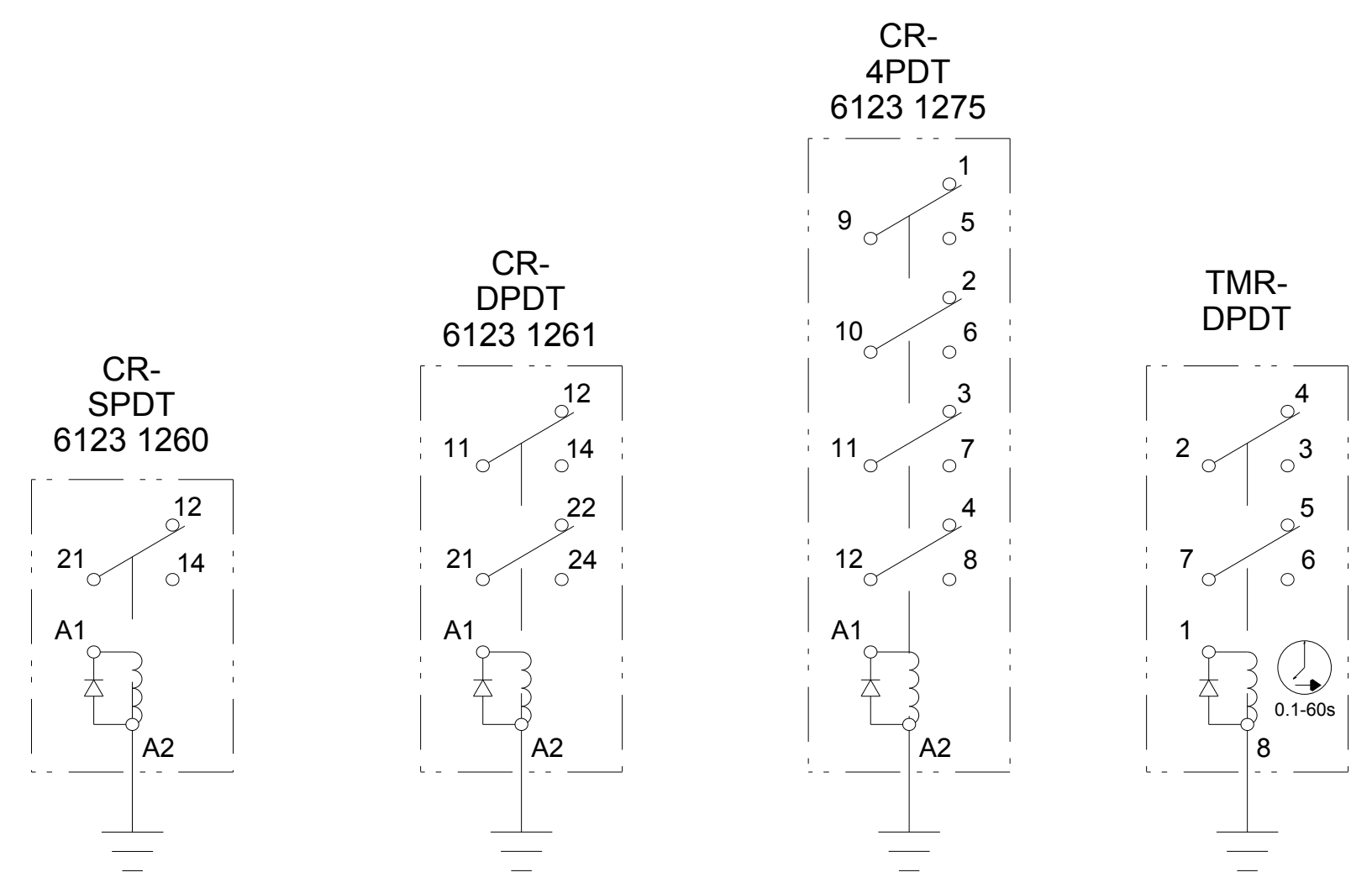
CUSTOMARY: ALL DIMENSIONS IN INCHES
IMPLIED TOLERANCES: FRACTION ± 1/8, X ± .06, XX ± .03, XXX ± .010
PRODUCT: M7
DESCRIPTION: SCHEMATIC, ELECTRICAL
SIZE: D NTS
SCALE: 97801003DWG
DRAWING CODE NUMBER: 97801003DWG
REV: L
SHEET 1 OF 26

CONNECTION KEY



DEVICE ABBREVIATION / SYMBOL LIST

ABBREV.	DEVICE	SYMBOL
AH	ALARM	
C	CAPACITOR	$X \text{ uf}$
CB	CIRCUIT BREAKER	CBXX XX A
CR	CONTROL RELAY	VARIES
D	DIODE	ANODE CATHODE
F	FUSE	
GA	GAUGE	
LS	LIMIT SWITCH	
LT	LIGHT NOTE: LETTER WITHIN LIGHT SYMBOL REPRESENTS COLOR OF LAMP: A AMBER B BLUE G GREEN R RED W WHITE Y YELLOW	
LS	LEVEL SWITCH	
M	MOTOR	
PB	PUSHBUTTON, LATCHING	
	PUSHBUTTON, MOMENTARY	
POT	POTENTIOMETER	
PRS	PROXIMITY SWITCH	
PS	PRESSURE SWITCH	
R	RESISTOR	
RSS	ROTARY SELECTOR SWITCH	RSS1 OFF IGN BAT ST
SOL	SOLENOID (W/ DIODE PROTECTION)	
TAS	TEMPERATURE SWITCH	
TMR	TIMER	VARIES
TS	TERMINAL STRIP	

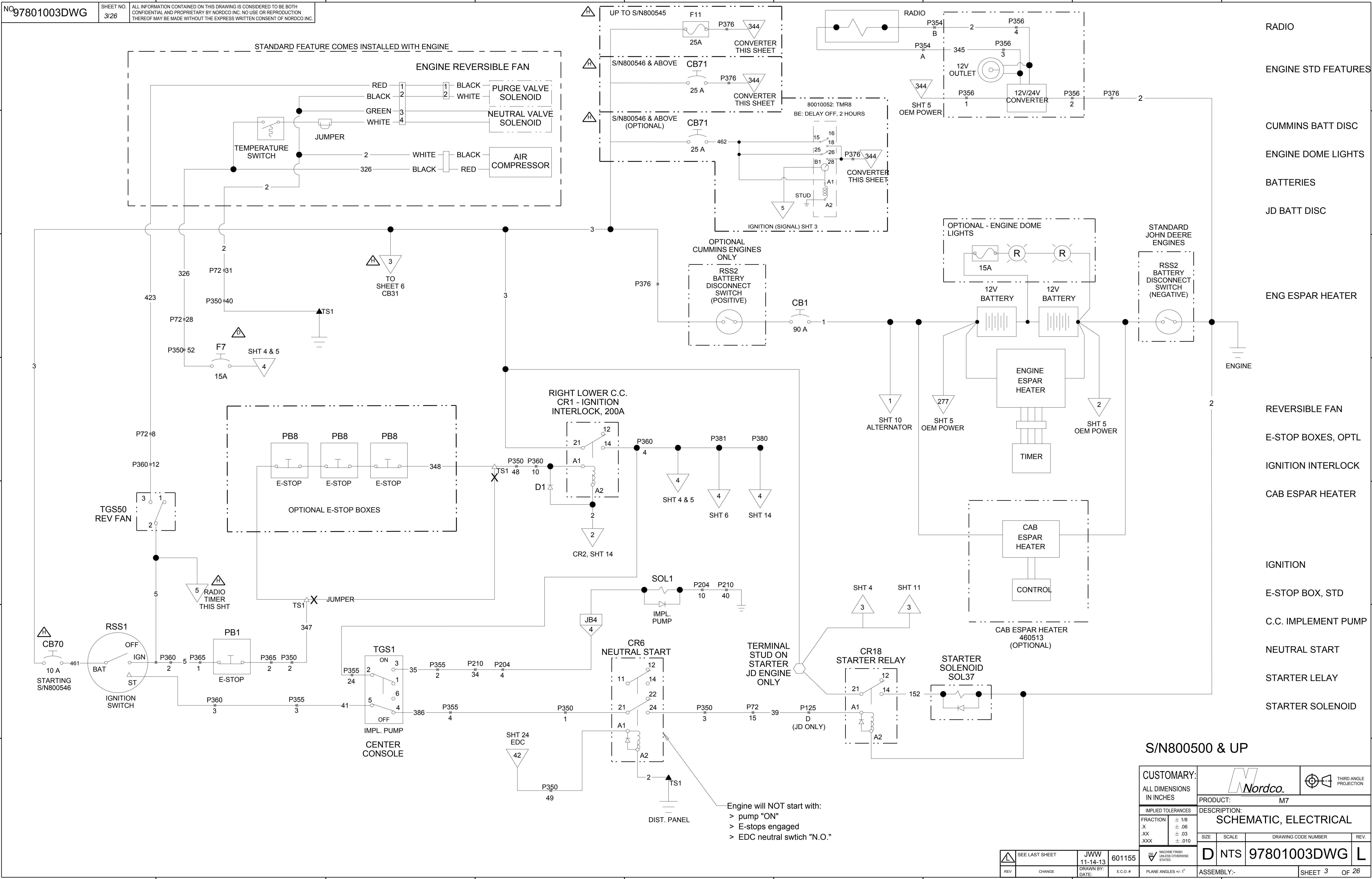


S/N800500 & UP

CUSTOMARY: ALL DIMENSIONS IN INCHES				THIRD ANGLE PROJECTION	
IMPLIED TOLERANCES		DESCRIPTION: SCHEMATIC, ELECTRICAL			
FRACTION	± 1/8	SIZE	SCALE	DRAWING CODE NUMBER	REV
X	± .06	D NTS	97801003DWG	L	SHEET 2 OF 26
XX	± .03				
XXX	± .010				

SEE LAST SHEET	JWW	601155
DATE:	11-14-13	E.C.O.#

PLANE ANGLES 90°-1°	ASSEMBLY:-
---------------------	------------



- RADIO
- ENGINE STD FEATURES
- CUMMINS BATT DISC
- ENGINE DOME LIGHTS
- BATTERIES
- JD BATT DISC
- ENG ESPAR HEATER
- REVERSIBLE FAN
- E-STOP BOXES, OPTL
- IGNITION INTERLOCK
- CAB ESPAR HEATER
- IGNITION
- E-STOP BOX, STD
- C.C. IMPLEMENT PUMP
- NEUTRAL START
- STARTER RELAY
- STARTER SOLENOID

Engine will NOT start with:
 > pump "ON"
 > E-stops engaged
 > EDC neutral switch "N.O."

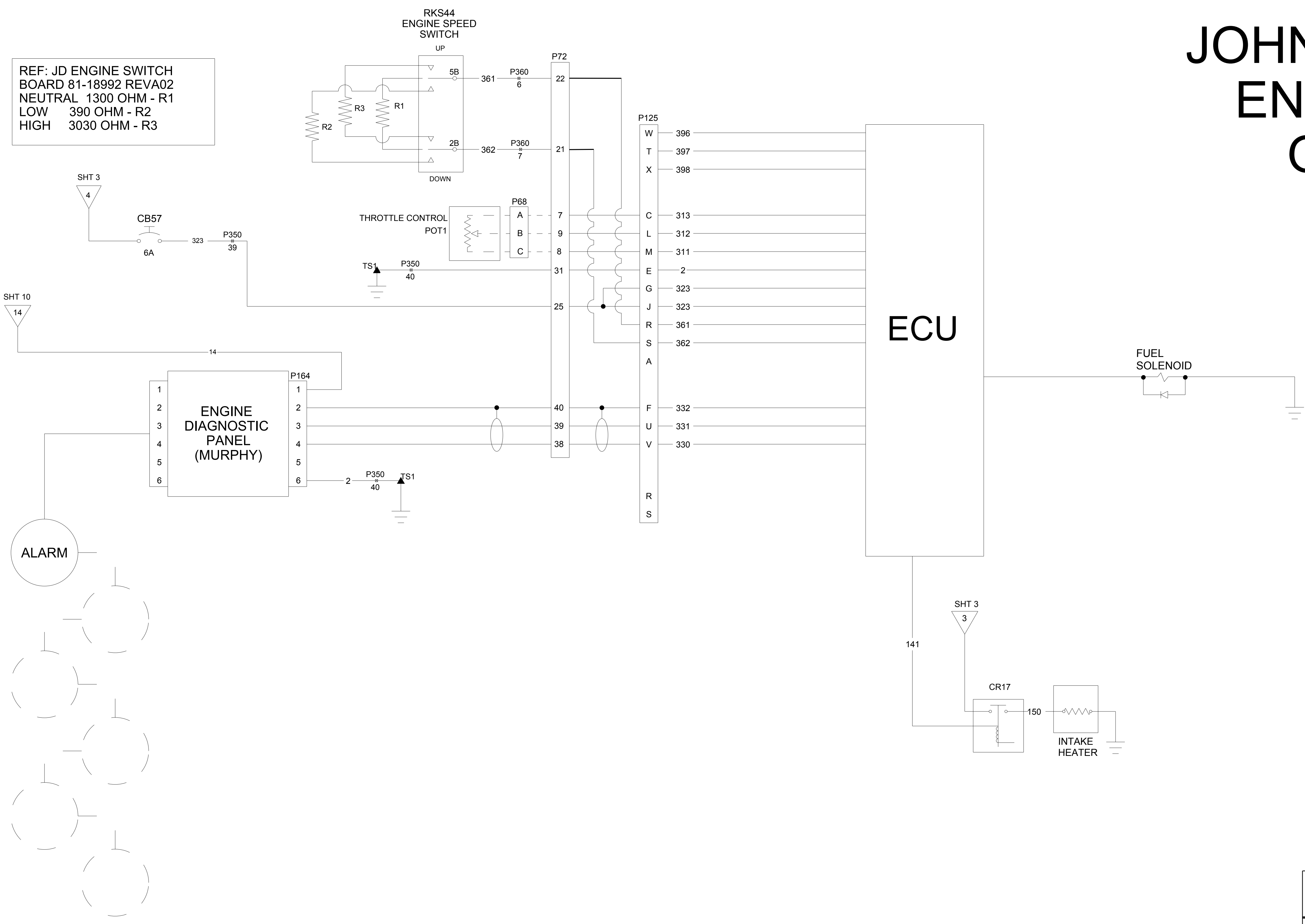
S/N800500 & UP

CUSTOMARY: ALL DIMENSIONS IN INCHES				THIRD ANGLE PROJECTION	
IMPLIED TOLERANCES		PRODUCT: M7			
FRACTION	± 1/8	DESCRIPTION: SCHEMATIC, ELECTRICAL			
X	± .06	SIZE	SCALE	DRAWING CODE NUMBER	REV
XX	± .03			97801003DWG	
XXX	± .010				

SEE LAST SHEET	JWW	601155		
CHANGE	DRAWN BY: DATE:	E.C.O.#	PLANE ANGLES W/ F°	ASSEMBLY:-
				SHEET 3 OF 26

JOHN DEERE ENGINES ONLY

REF: JD ENGINE SWITCH
BOARD 81-18992 REVA02
NEUTRAL 1300 OHM - R1
LOW 390 OHM - R2
HIGH 3030 OHM - R3

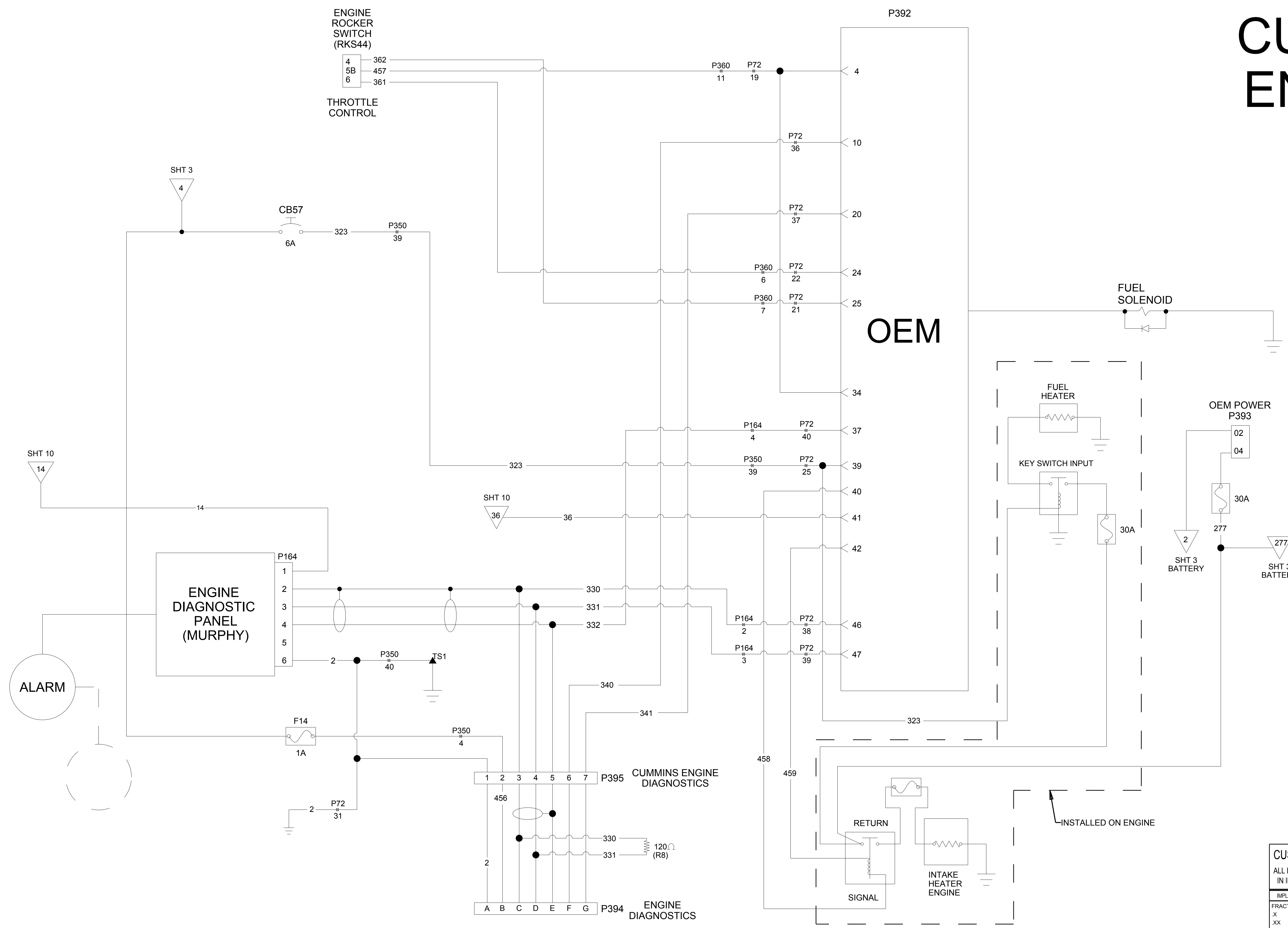


S/N800500 & UP

CUSTOMARY: ALL DIMENSIONS IN INCHES					
IMPLIED TOLERANCES		PRODUCT: M7			
FRACTION	± 1/8	DESCRIPTION: SCHEMATIC, ELECTRICAL			
X	± .06	SIZE	SCALE	DRAWING CODE NUMBER	REV
XX	± .03				
XXX	± .010				

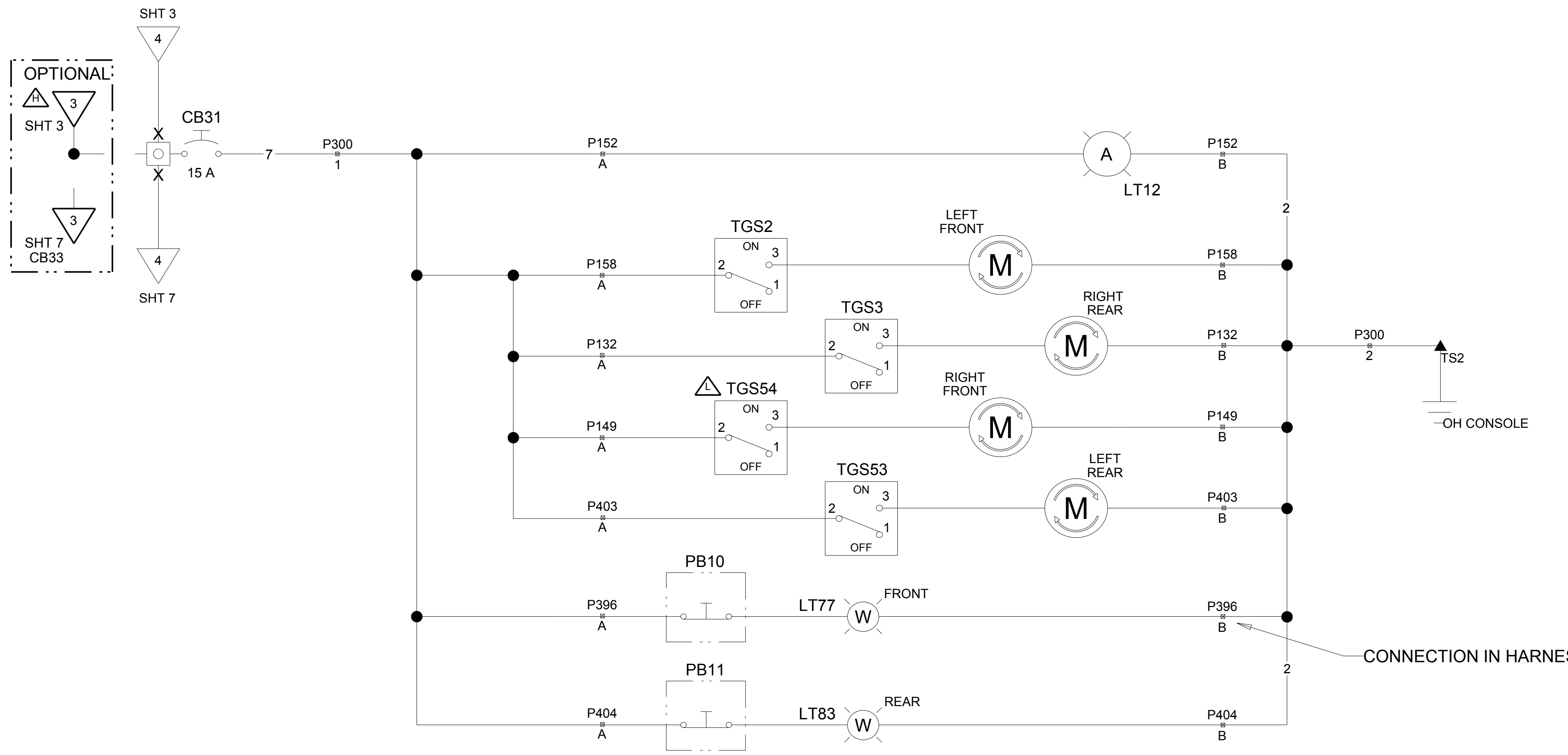
SEE LAST SHEET	JWW	601155	MACHINE FINISH UNLESS OTHERWISE STATED		D NTS	97801003DWG	L
REV	CHANGE	DRAWN BY: DATE:	E.C.O.#	PLANE ANGLES 45°-1°			

CUMMINS ENGINES ONLY



S/N800500 & UP

CUSTOMARY:				THIRD ANGLE PROJECTION	
ALL DIMENSIONS IN INCHES		PRODUCT: M7			
IMPLIED TOLERANCES		DESCRIPTION: SCHEMATIC, ELECTRICAL			
FRACTION	± 1/8	SIZE	SCALE	DRAWING CODE NUMBER	REV.
X	± .06	D NTS	97801003DWG	L	SHEET 5 OF 26
XX	± .03				
XXX	± .010				
SEE LAST SHEET		DRAWN BY: JWW 11-14-13		DATE:	
CHANGE		E.C.O.# 601155		PLANE ANGLES W/ F°	

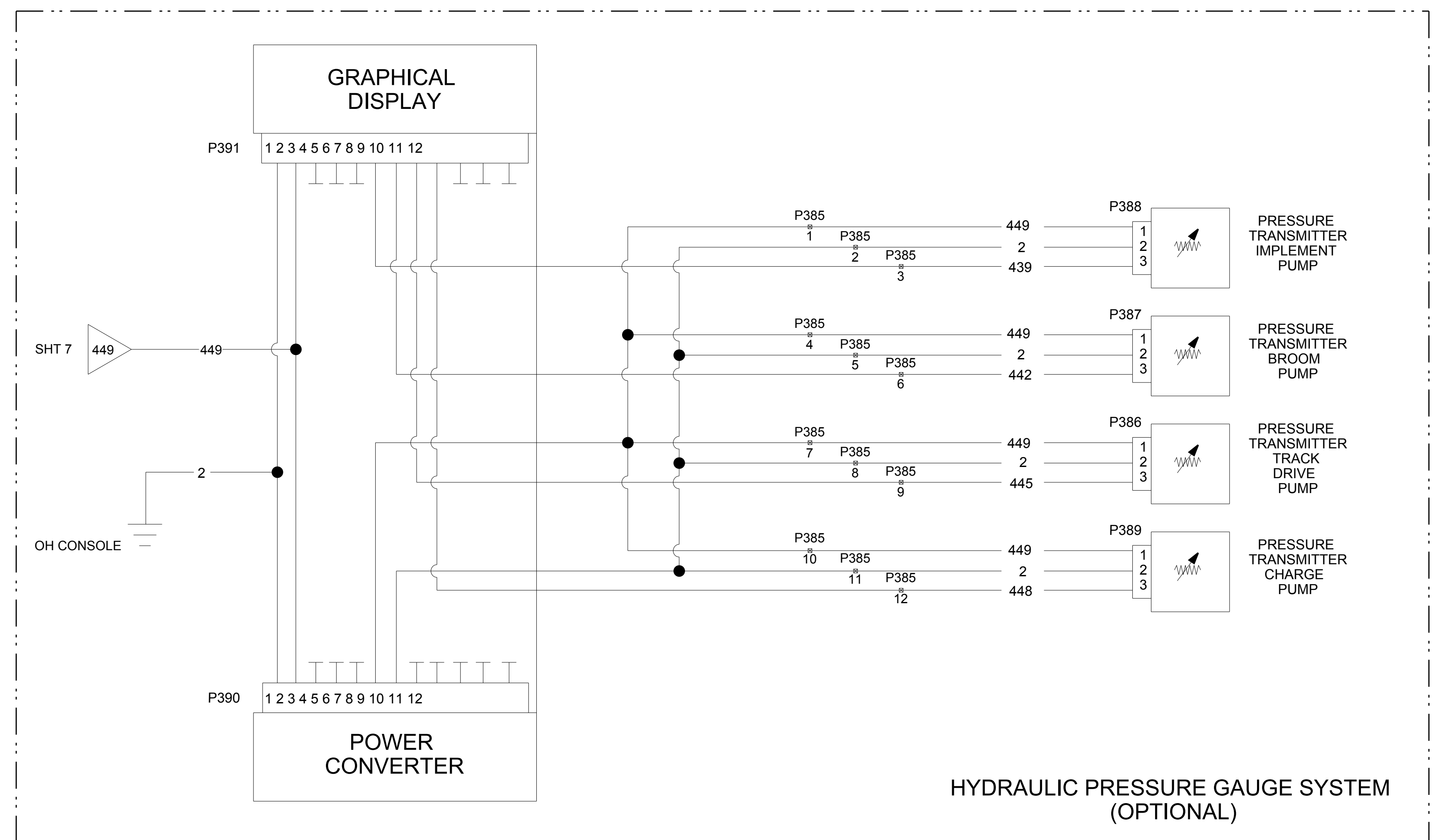


STROBE/BEACON

CAB FANS

DOME LIGHTS

CONNECTION IN HARNESS



HYDRAULIC PRESSURE GAUGE SYSTEM (OPTIONAL)

HYD PRESSURE GAUGE SYSTEM OPTION

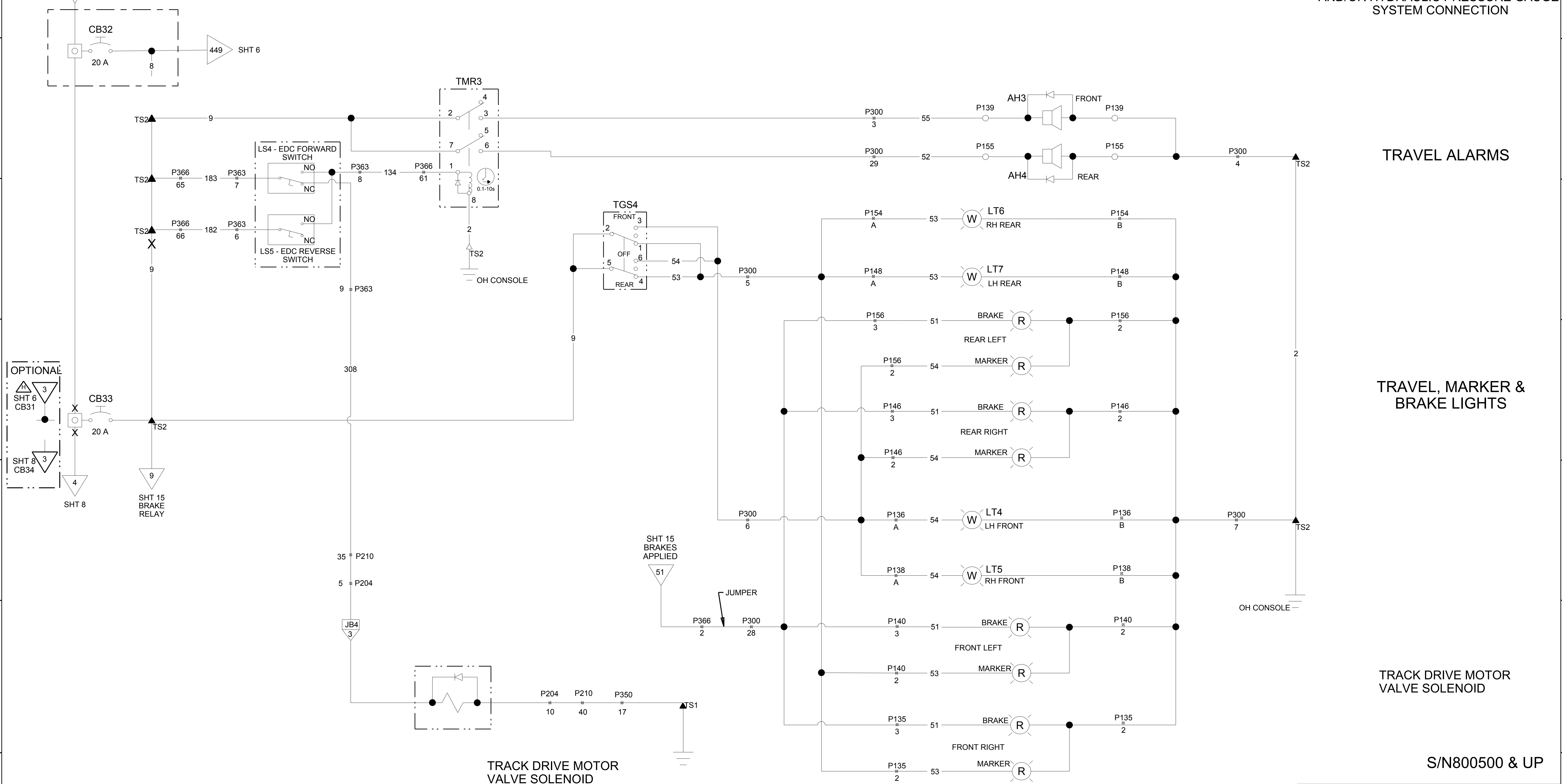
S/N800500 & UP

CUSTOMARY: ALL DIMENSIONS IN INCHES				THIRD ANGLE PROJECTION
IMPLIED TOLERANCES		PRODUCT: M7		
FRACTION	± 1/8	DESCRIPTION: SCHEMATIC, ELECTRICAL		
X	± .06	SIZE	SCALE	DRAWING CODE NUMBER
XX	± .03	D NTS		97801003DWG
XXX	± .010	ASSEMBLY:-		REV

SEE LAST SHEET	JWW	601155	DATE: 11-14-13	
CHANGE	DRAWN BY:	E.C.O.#	PLANE ANGLES W/ 1°	ASSEMBLY:-
SHEET 6 OF 26				

HIGH CURRENT TRAVEL ALARMS AND/OR HYDRAULIC PRESSURE GAUGE SYSTEM CONNECTION

CB32 CONNECTION OPTIONAL FOR HIGH CURRENT TRAVEL ALARMS AND/OR HYDRAULIC PRESSURE GAUGE SYSTEM



TRAVEL ALARMS

TRAVEL, MARKER & BRAKE LIGHTS

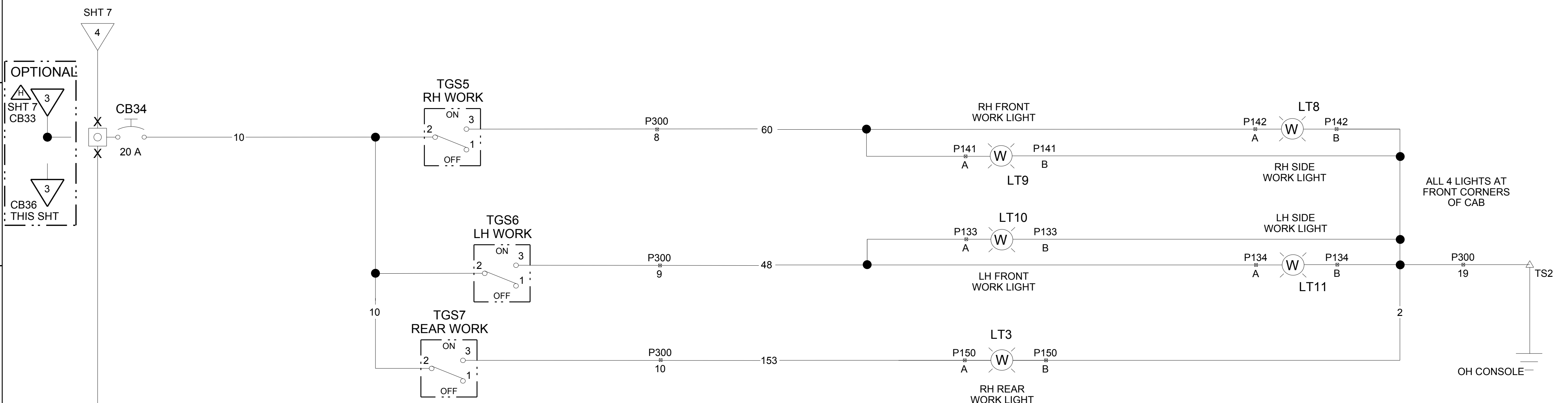
TRACK DRIVE MOTOR VALVE SOLENOID

S/N800500 & UP

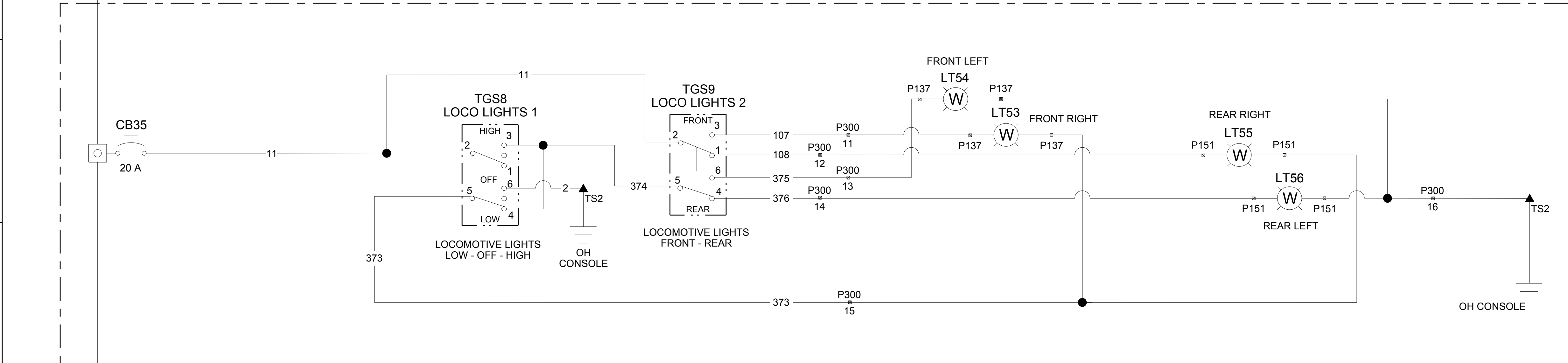
CUSTOMARY: ALL DIMENSIONS IN INCHES					
IMPLIED TOLERANCES		PRODUCT: M7			
FRACTION	± 1/8	DESCRIPTION: SCHEMATIC, ELECTRICAL			
X	± .06	SIZE	SCALE	DRAWING CODE NUMBER	REV.
XX	± .03	D NTS		97801003DWG	L
XXX	± .010	ASSEMBLY:-		SHEET 7	OF 26

SEE LAST SHEET	JWW	601155
DATE:	11-14-13	E.C.O.#

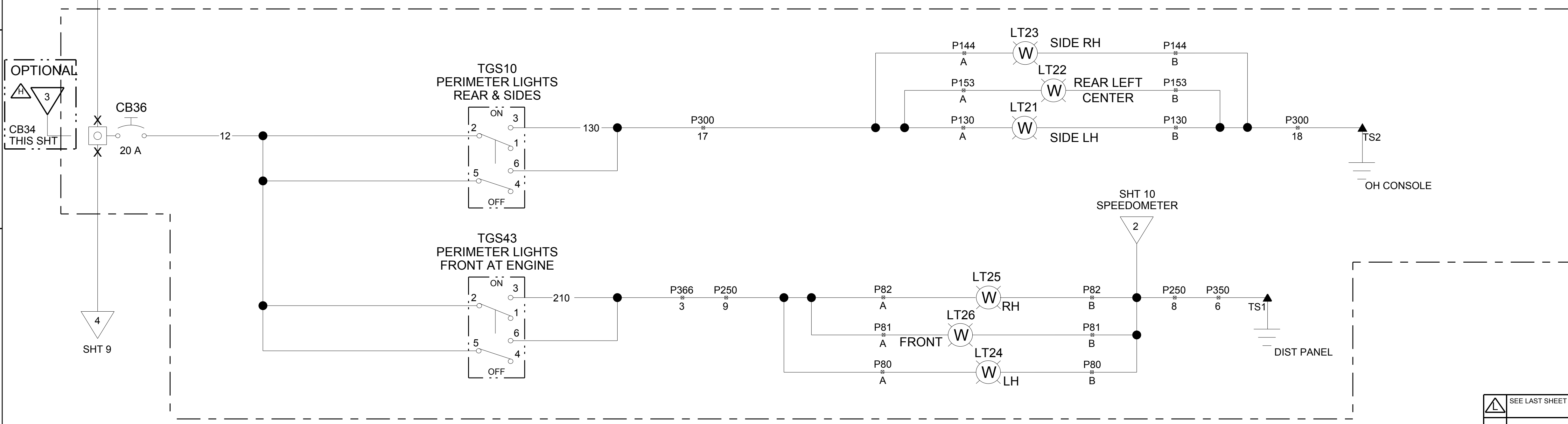
PLANE ANGLES 90°-1°	ASSEMBLY:-	SHEET 7	OF 26
---------------------	------------	---------	-------



WORK LIGHTS



LOCOMOTIVE LIGHTS (OPTIONAL)

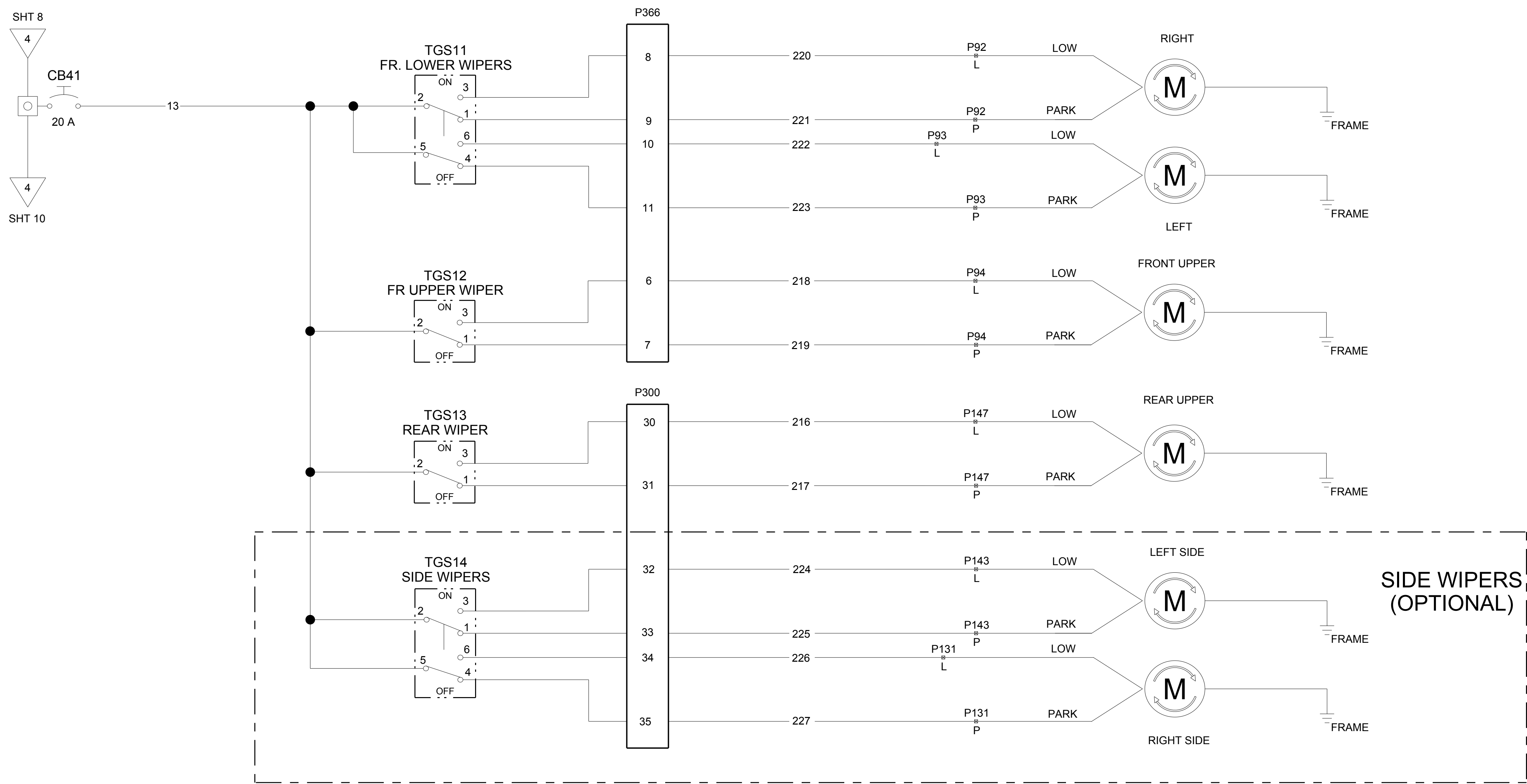


PERIMETER LIGHTS (OPTIONAL)

S/N800500 & UP

CUSTOMARY: ALL DIMENSIONS IN INCHES				THIRD ANGLE PROJECTION	
IMPLIED TOLERANCES		PRODUCT: M7			
FRACTION ± .18		DESCRIPTION: SCHEMATIC, ELECTRICAL			
X ± .06	XX ± .03	SIZE	SCALE	DRAWING CODE NUMBER	REV.
XXX ± .010		D NTS		97801003DWG	L

SEE LAST SHEET	JWW	601155		
CHANGE	DATE: 11-14-13	E.C.O.#	PLANE ANGLES 45-1°	ASSEMBLY:-
				SHEET 8 OF 26



WINDSHIELD WIPERS

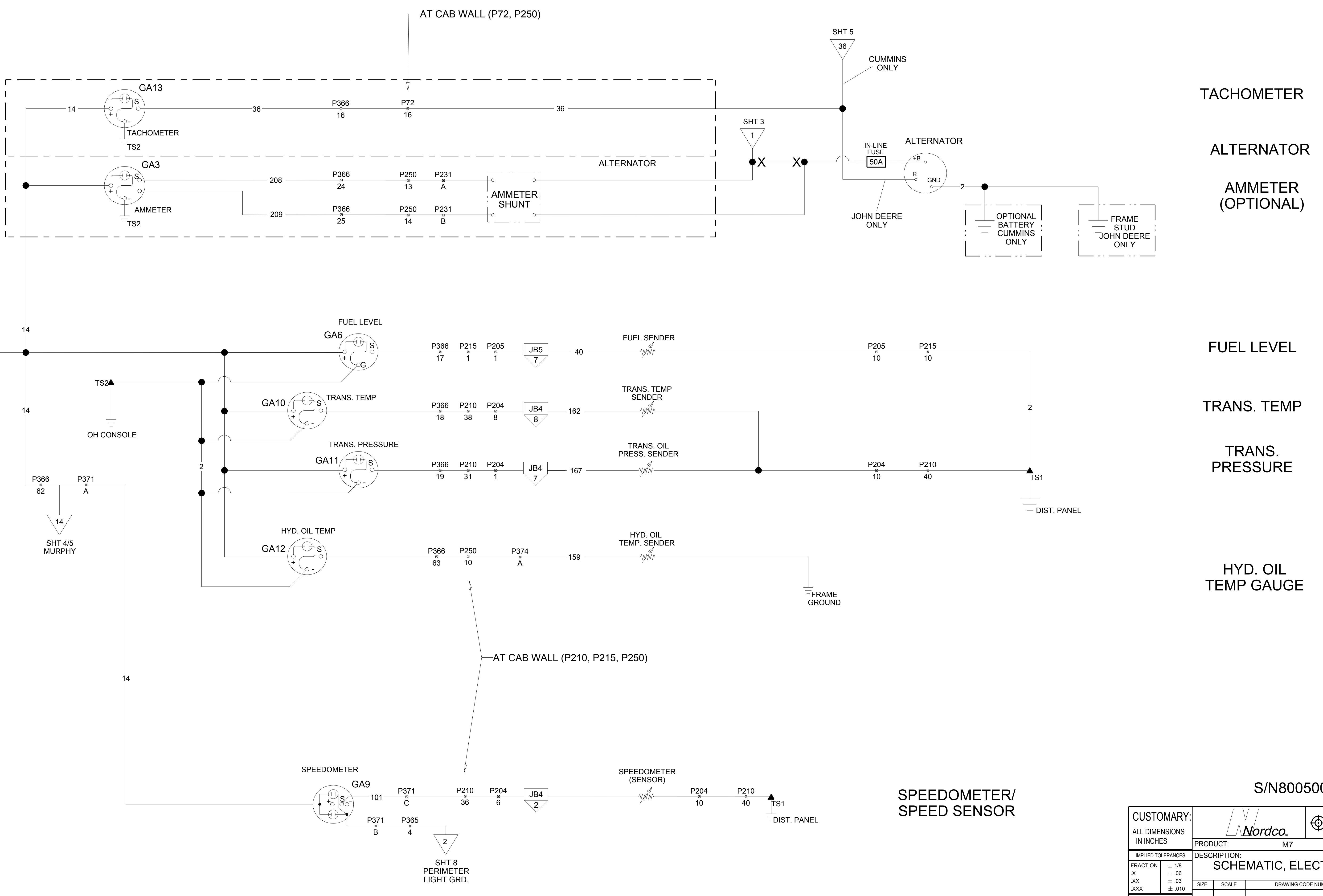
SIDE WIPERS (OPTIONAL)

S/N800500 & UP

CUSTOMARY: ALL DIMENSIONS IN INCHES					
IMPLIED TOLERANCES		PRODUCT: M7			
FRACTION	± 1/8	DESCRIPTION: SCHEMATIC, ELECTRICAL			
X	± .06	SIZE	SCALE	DRAWING CODE NUMBER	REV.
XX	± .03	D NTS		97801003DWG	L
XXX	± .010	ASSEMBLY:-		SHEET 9	OF 26
SEE LAST SHEET	JWW	601155	DATE: 11-14-13		
CHANGE	DRAWN BY:	E.C.O.#	PLANE ANGLES 90°-1°		

SEE LAST SHEET	JWW	601155
CHANGE	DRAWN BY:	E.C.O.#
DATE: 11-14-13		

MACHINE FINISH UNLESS OTHERWISE STATED		ASSEMBLY:-		SHEET 9	OF 26
--	--	------------	--	---------	-------



TACHOMETER
 ALTERNATOR
 AMMETER (OPTIONAL)
 FUEL LEVEL
 TRANS. TEMP
 TRANS. PRESSURE
 HYD. OIL TEMP GAUGE

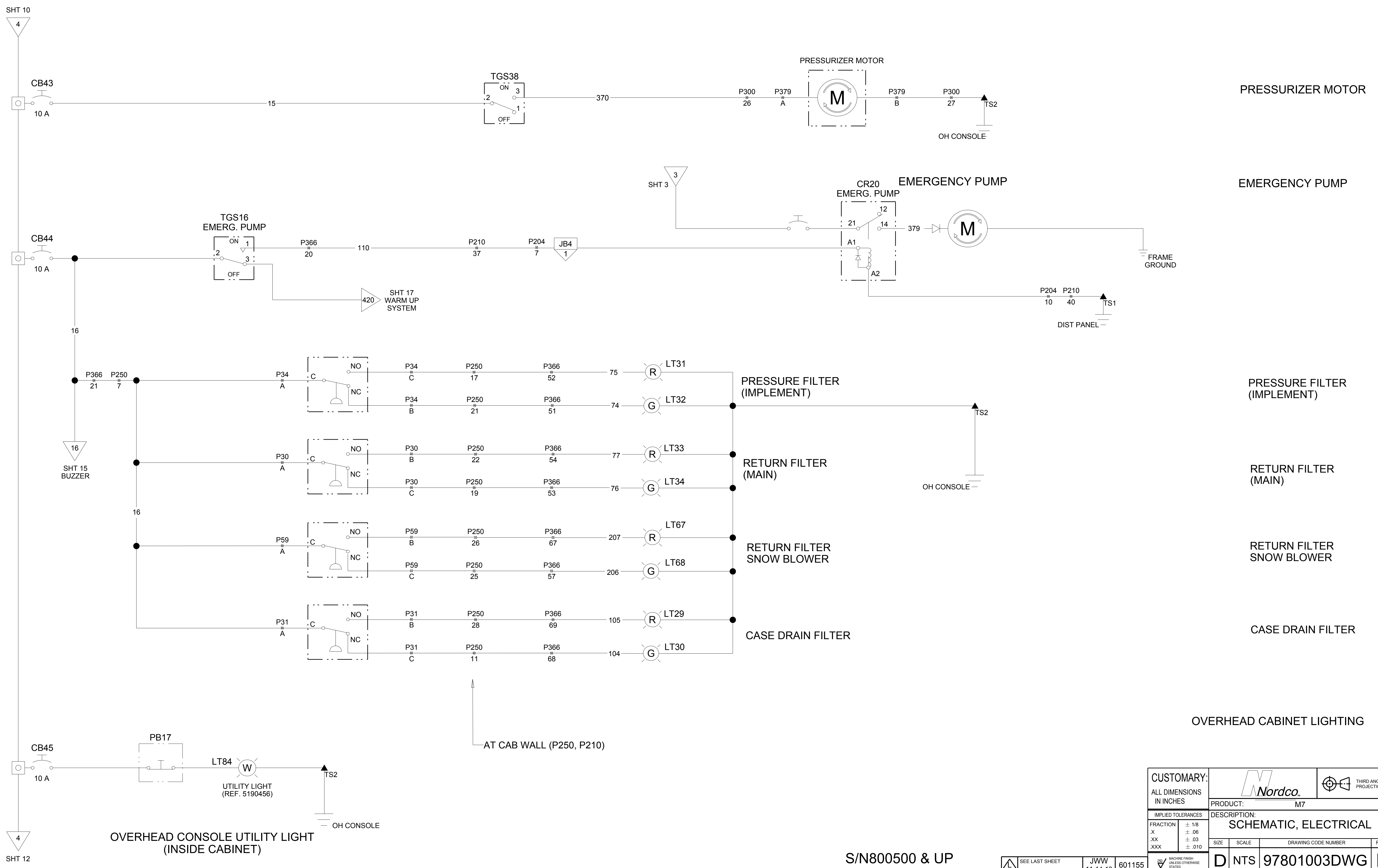
SPEEDOMETER/
 SPEED SENSOR

S/N800500 & UP

CUSTOMARY: ALL DIMENSIONS IN INCHES				THIRD ANGLE PROJECTION	
IMPLIED TOLERANCES		DESCRIPTION: SCHEMATIC, ELECTRICAL			
FRACTION	± 1/8	SIZE	SCALE	DRAWING CODE NUMBER	REV.
X	± .06	D NTS	97801003DWG	L	SHEET 10 OF 26
XX	± .03				
XXX	± .010				

SEE LAST SHEET	JWW	601155
CHANGE	DRAWN BY: DATE:	E.C.O.# PLANE ANGLES W/ 1°

ASSEMBLY:-	SHEET 10 OF 26
------------	----------------

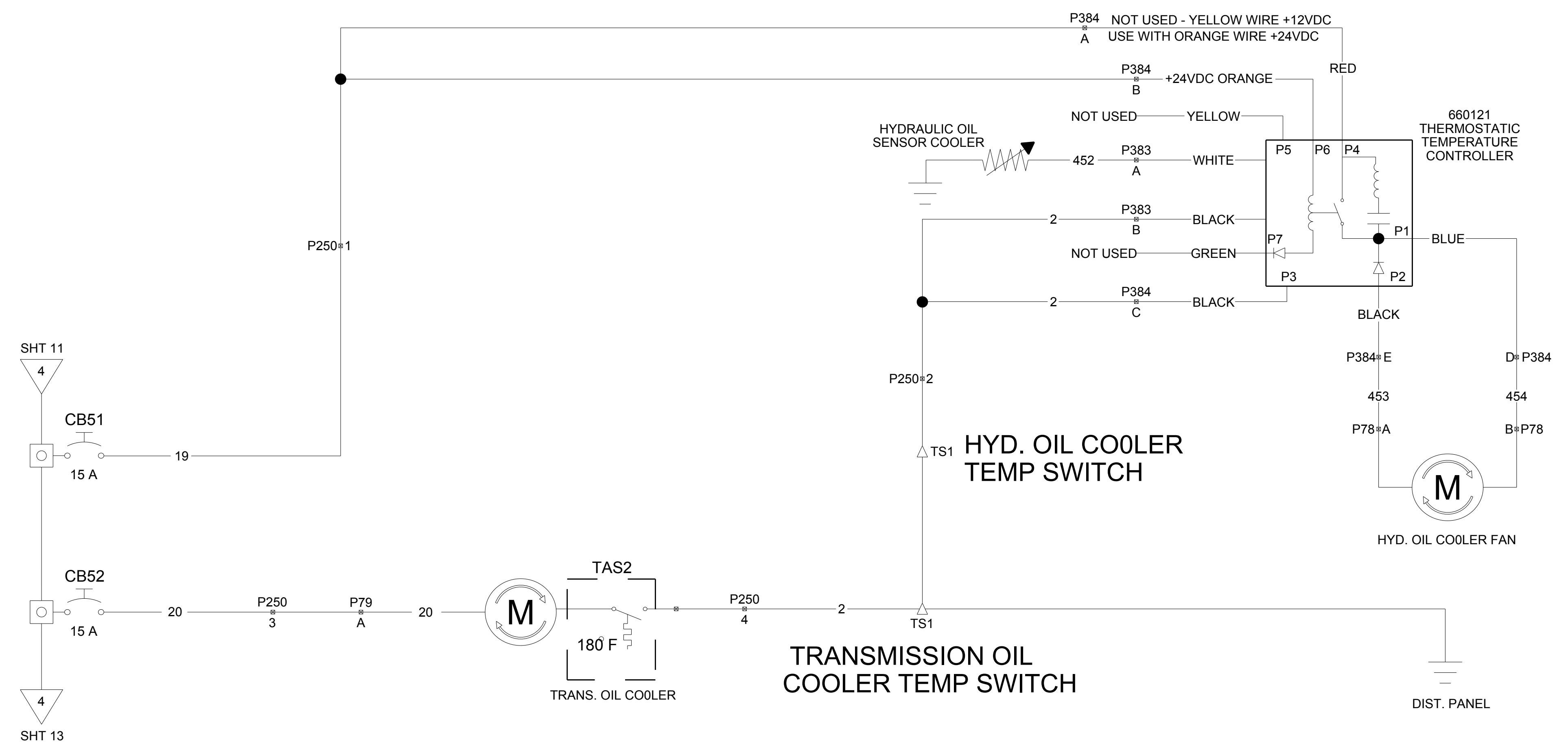


CUSTOMARY:				THIRD ANGLE PROJECTION	
ALL DIMENSIONS IN INCHES		PRODUCT: M7			
IMPLIED TOLERANCES		DESCRIPTION: SCHEMATIC, ELECTRICAL			
FRACTION	± 1/8	SIZE	SCALE	DRAWING CODE NUMBER	REV.
X	± .06	D NTS	97801003DWG	L	SHEET 11 OF 26
XX	± .03				
XXX	± .010				
REV.	CHANGE	DRAWN BY: JWW	E.C.O.#: 601155	PLANE ANGLES 90°-1°	ASSEMBLY:-

S/N800500 & UP

SEE LAST SHEET	JWW	601155
DATE:	11-14-13	

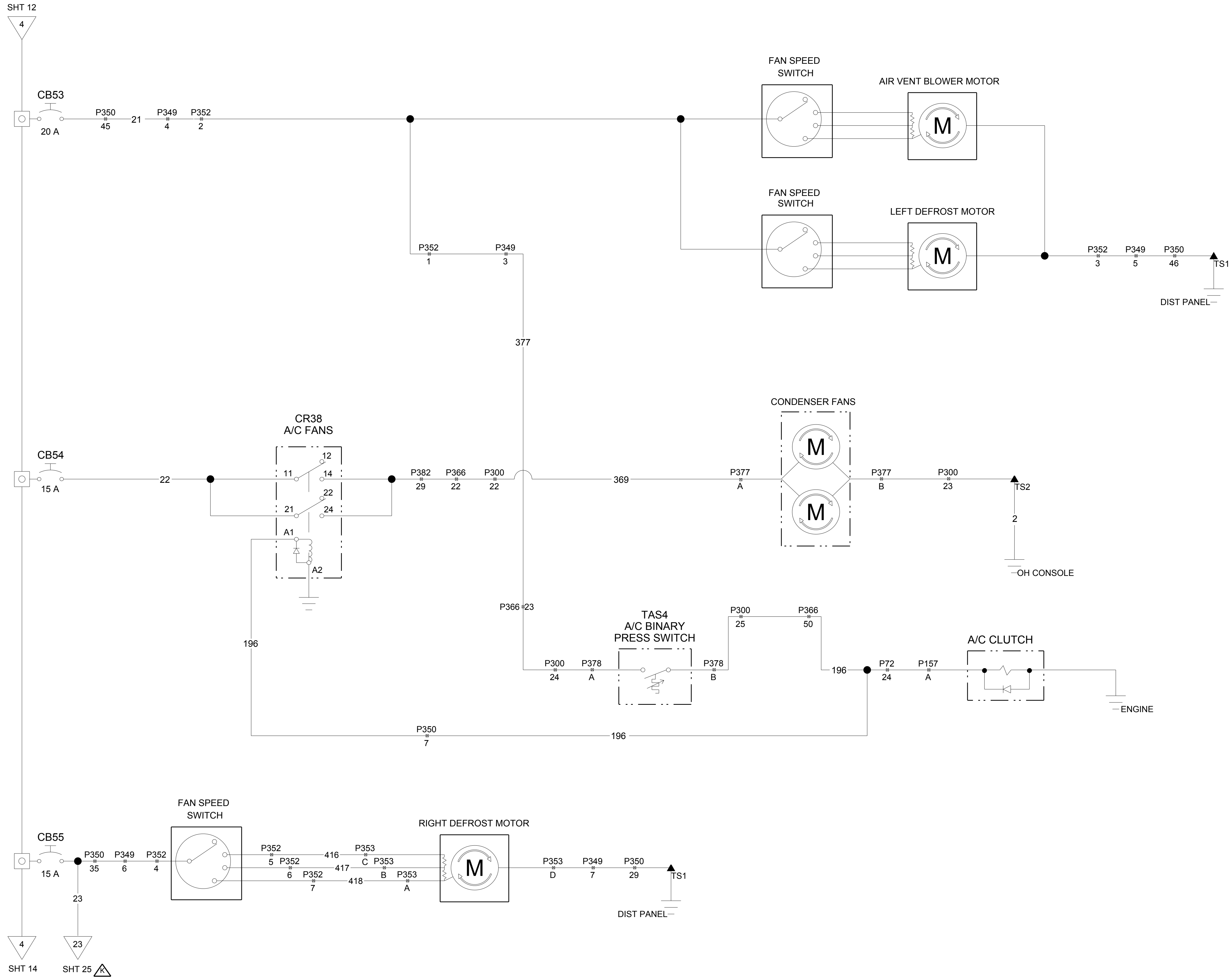
IMPLEMENT PUMP OIL COOLER



S/N800500 & UP

CUSTOMARY:					
ALL DIMENSIONS IN INCHES		PRODUCT: M7			
IMPLIED TOLERANCES		DESCRIPTION: SCHEMATIC, ELECTRICAL			
FRACTION	± 1/8	SIZE	SCALE	DRAWING CODE NUMBER	REV.
X	± .06	D NTS	97801003DWG	L	SHEET 12 OF 26
XX	± .03				
XXX	± .010				
MACHINE FINISH UNLESS OTHERWISE STATED		ASSEMBLY:-			

	SEE LAST SHEET	JWW	601155
REV.	CHANGE	DRAWN BY: DATE:	E.C.O.#



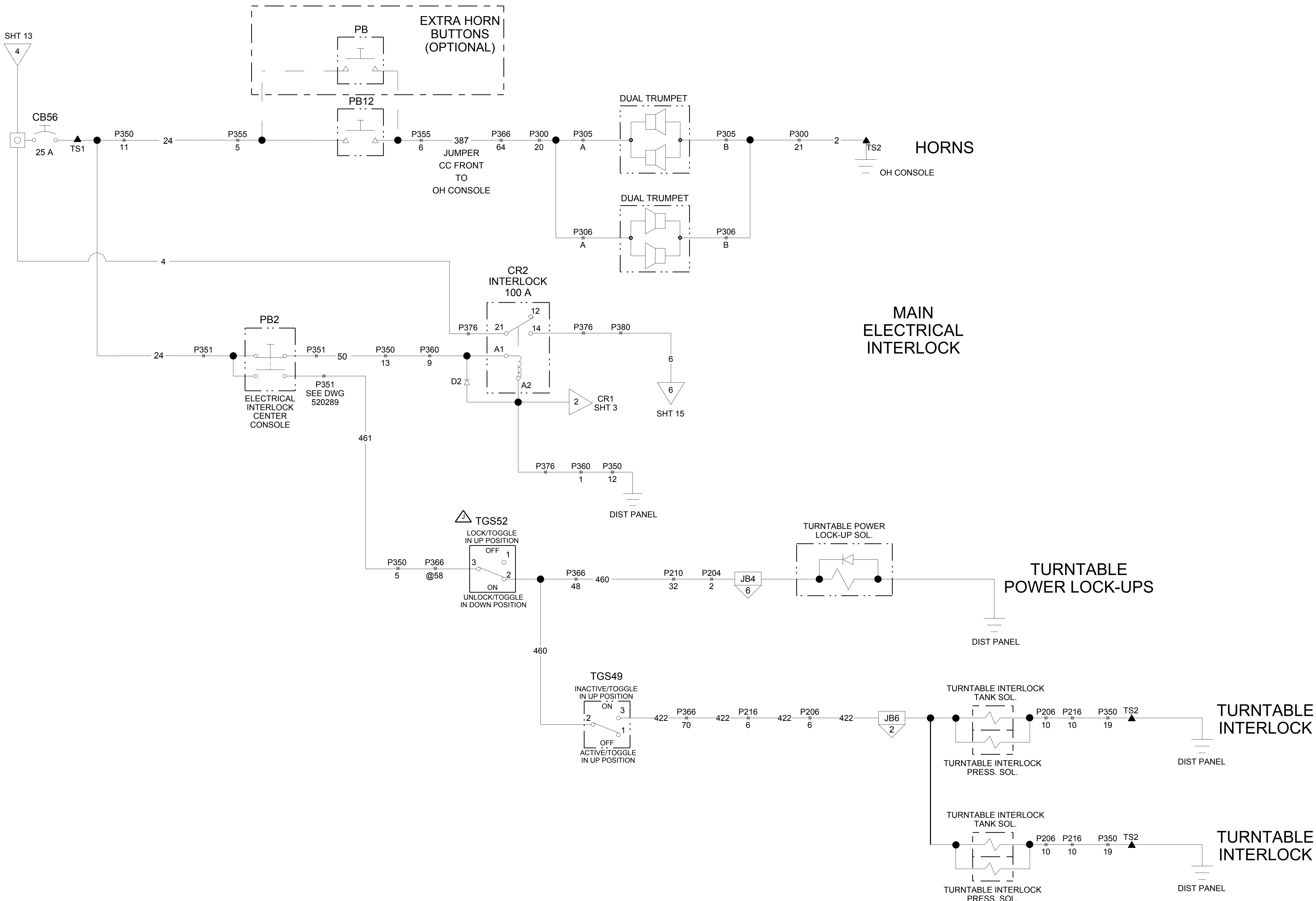
AIR CONDITIONER & DEFROST

S/N800500 & UP

CUSTOMARY: ALL DIMENSIONS IN INCHES				THIRD ANGLE PROJECTION	
IMPLIED TOLERANCES		PRODUCT: M7			
DESCRIPTION:		SCHEMATIC, ELECTRICAL			
FRACTION	± 1/8	SIZE	SCALE	DRAWING CODE NUMBER	REV.
X	± .06	D NTS	97801003DWG	L	SHEET 13 OF 26
XX	± .03				
XXX	± .010				

SEE LAST SHEET	JWW	601155
CHANGE	DRAWN BY:	E.C.O.#
	DATE:	PLANE ANGLES 90°-1°

ASSEMBLY:-	SHEET 13 OF 26
------------	----------------

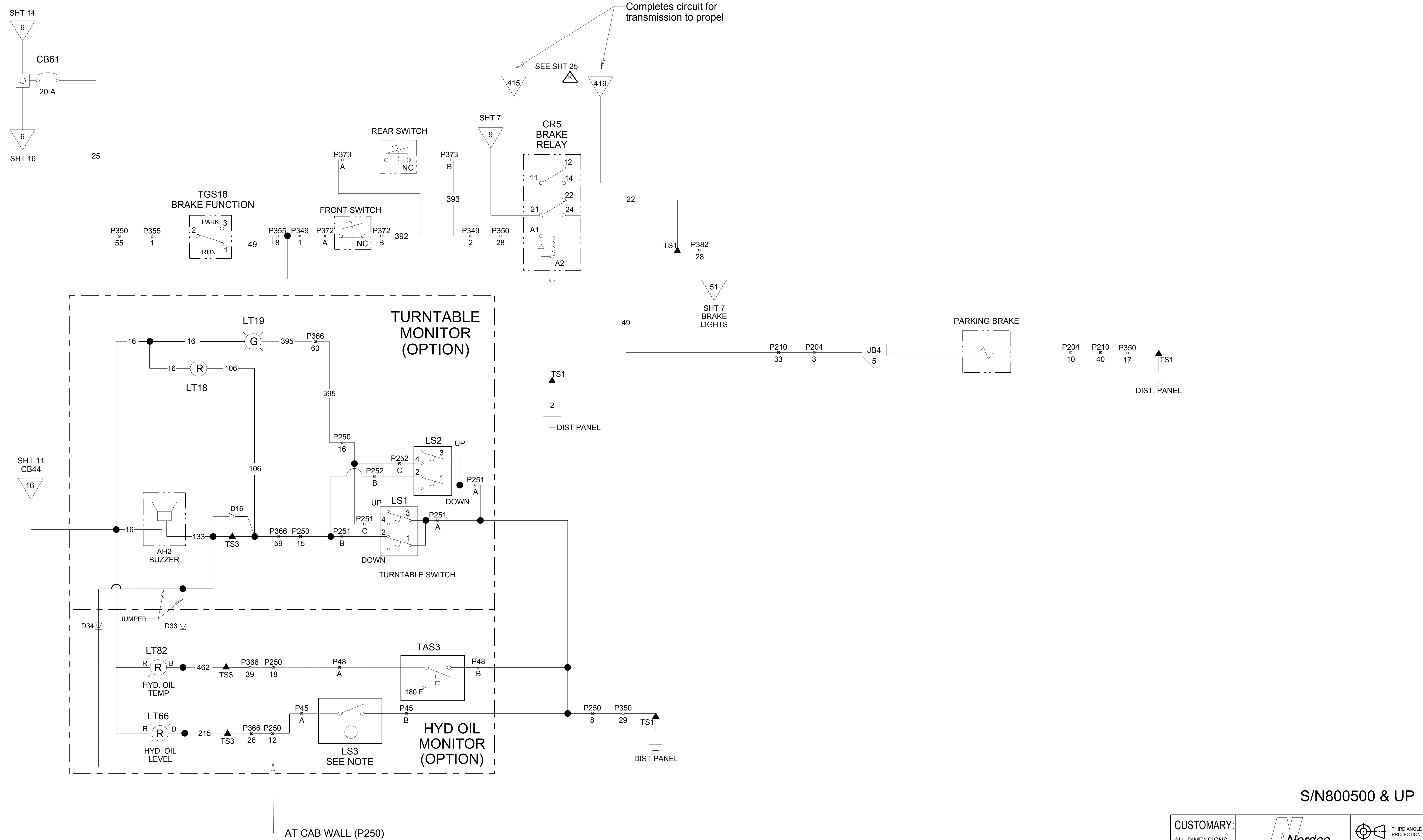


S/N800500 & UP

CUSTOMARY:				THIRD ANGLE PROJECTION	
ALL DIMENSIONS IN INCHES		PRODUCT: M7			
IMPLIED TOLERANCES		DESCRIPTION: SCHEMATIC, ELECTRICAL			
FRACTION	± 1/8	SIZE	SCALE	DRAWING CODE NUMBER	REV.
X	± .06	D NTS	97801003DWG	L	SHEET 14 OF 26
XX	± .03				
XXX	± .010				

SEE LAST SHEET	JWW	601155
CHANGE	DRAWN BY: DATE:	E.C.O.# PLANE ANGLES W/ F°

ASSEMBLY:-	SHEET 14 OF 26
------------	----------------

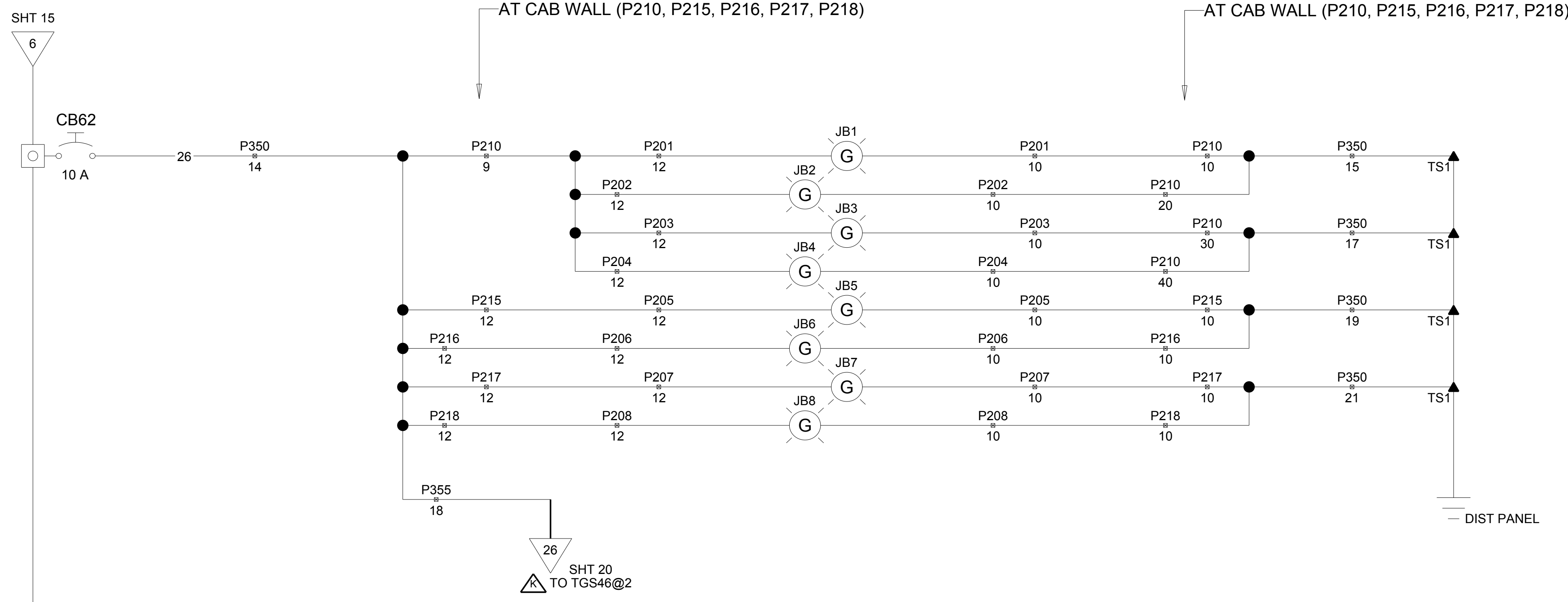


S/N800500 & UP

CUSTOMARY:				THIRD ANGLE PROJECTION	
ALL DIMENSIONS IN INCHES		PRODUCT: M7			
IMPLIED TOLERANCES		DESCRIPTION: SCHEMATIC, ELECTRICAL			
FRACTION	± 1/8	SIZE	SCALE	DRAWING CODE NUMBER	REV.
X	± .06	D NTS	97801003DWG	L	SHEET 15 OF 26
XX	± .03				
XXX	± .010				

SEE LAST SHEET	JWW	601155	MACHINE FINISH UNLESS OTHERWISE STATED
CHANGE	DRAWN BY: DATE:	E.C.O.#	PLANE ANGLES W/ F°

ASSEMBLY:-	SHEET 15 OF 26
------------	----------------

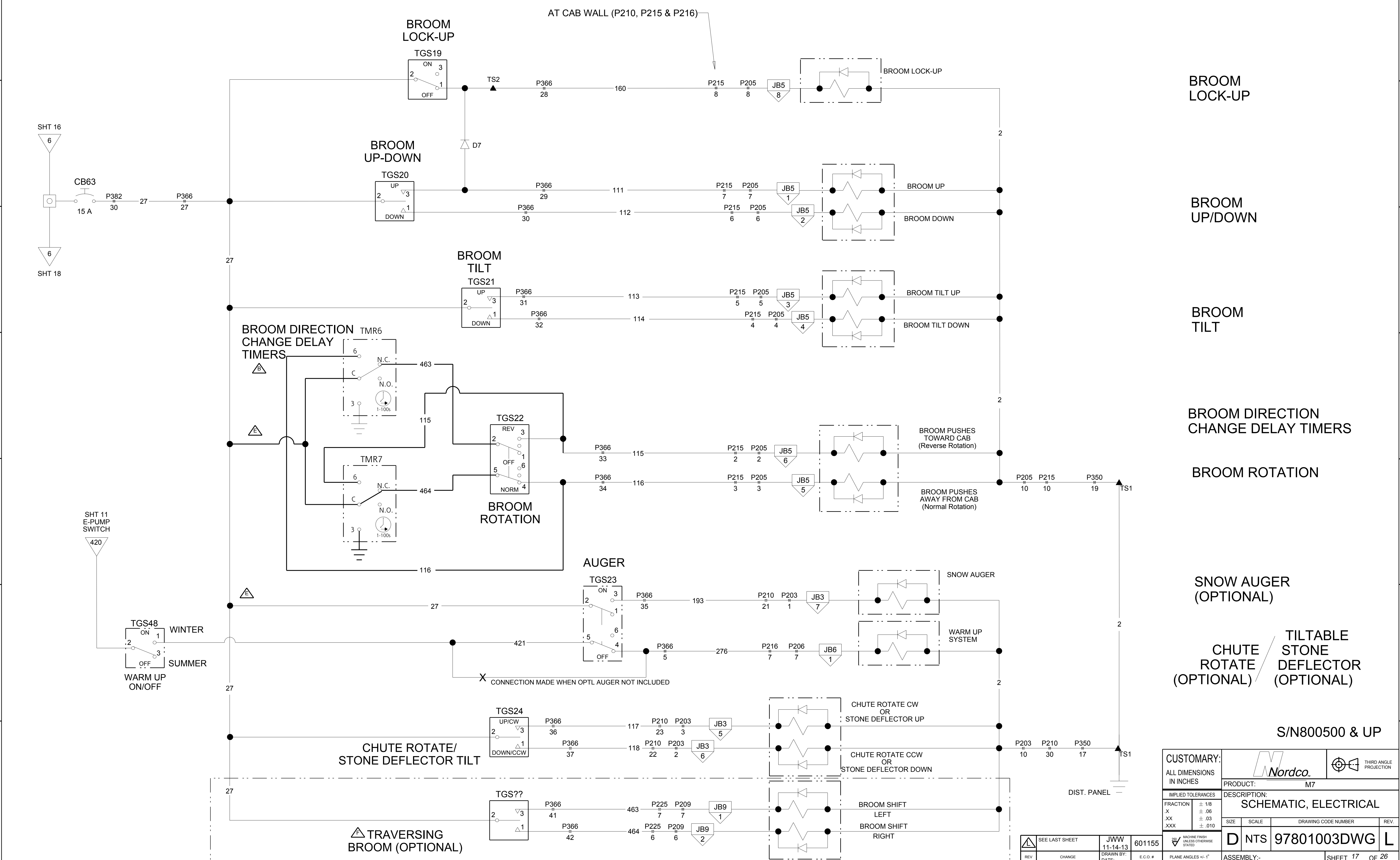


S/N800500 & UP

CUSTOMARY: ALL DIMENSIONS IN INCHES				 THIRD ANGLE PROJECTION	
IMPLIED TOLERANCES		PRODUCT: M7			
FRACTION	± 1/8	DESCRIPTION: SCHEMATIC, ELECTRICAL			
X	± .06	SIZE	SCALE	DRAWING CODE NUMBER	REV.
XX	± .03	D NTS	97801003DWG	L	SHEET 16 OF 26
XXX	± .010				

SEE LAST SHEET	JWW	601155	
CHANGE	DRAWN BY: DATE:	E.C.O.#	PLANE ANGLES 90°-1°

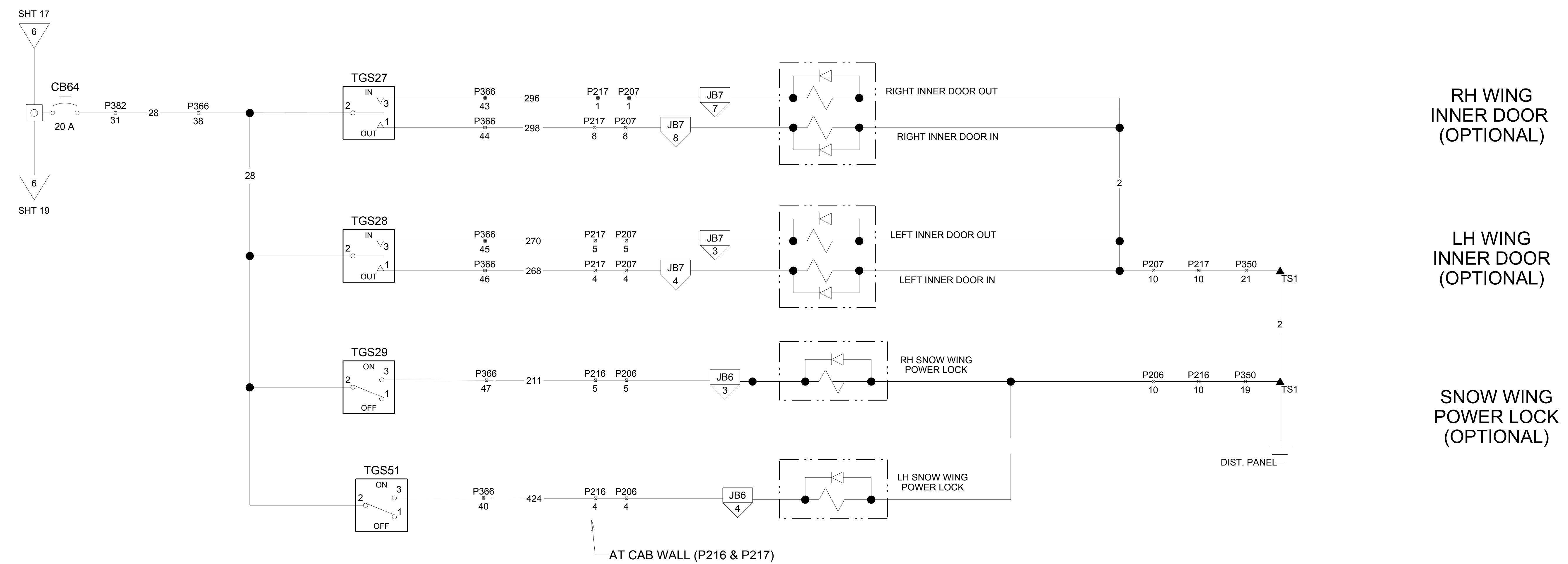
MACHINE FINISH UNLESS OTHERWISE STATED		ASSEMBLY:-	
--	--	------------	--



BROOM LOCK-UP
 BROOM UP/DOWN
 BROOM TILT
 BROOM DIRECTION CHANGE DELAY TIMERS
 BROOM ROTATION
 SNOW AUGER (OPTIONAL)
 CHUTE ROTATE (OPTIONAL) / TILTABLE STONE DEFLECTOR (OPTIONAL)

S/N800500 & UP

CUSTOMARY: ALL DIMENSIONS IN INCHES				THIRD ANGLE PROJECTION	
IMPLIED TOLERANCES		PRODUCT: M7			
DESCRIPTION: SCHEMATIC, ELECTRICAL		DRAWING CODE NUMBER			
FRACTION	± 1/8	SIZE	SCALE	REV	
X	± .06				
XX	± .03				
XXX	± .010				
MACHINE FINISH UNLESS OTHERWISE STATED		D NTS		97801003DWG L	
SEE LAST SHEET	JWWW	DATE:	E.C.O.#	PLANE ANGLES W/ 1"	ASSEMBLY:-
CHANGE	11-14-13	DATE:			SHEET 17 OF 26

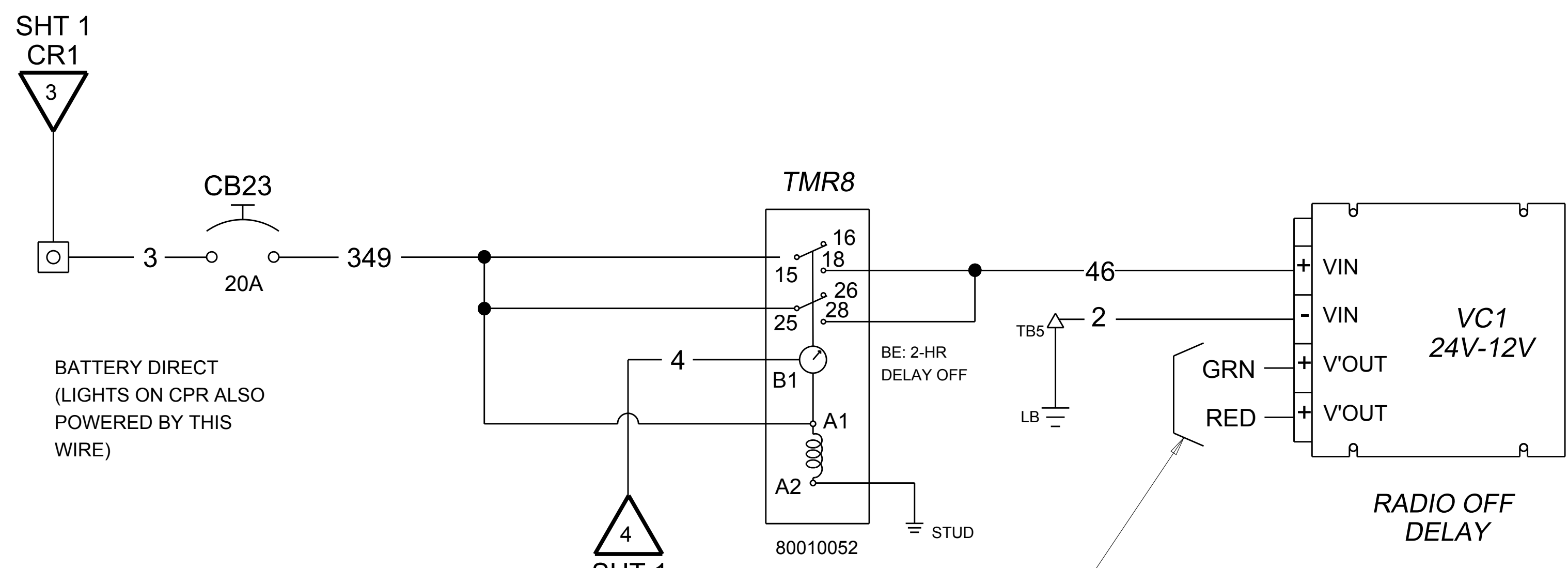


RH WING
INNER DOOR
(OPTIONAL)

LH WING
INNER DOOR
(OPTIONAL)

SNOW WING
POWER LOCK
(OPTIONAL)

AT CAB WALL (P216 & P217)



BATTERY DIRECT
(LIGHTS ON CPR ALSO
POWERED BY THIS
WIRE)

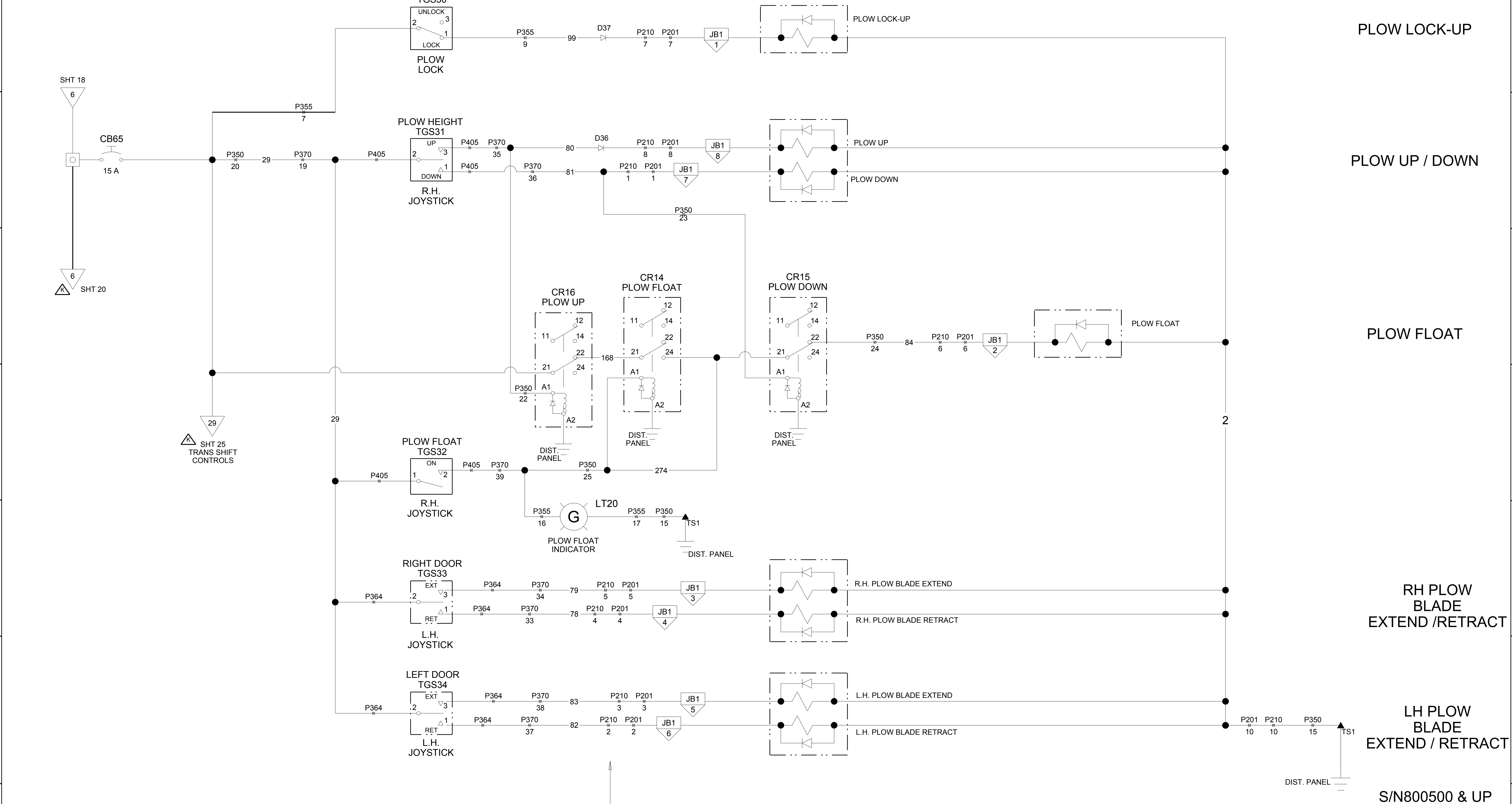
▲ RADIO-OFF DELAY OPTION

CUSTOMER TO USE WIRE
LEADS TO CONNECT TO
CUSTOMER SUPPLIED
RADIO

S/N800500 & UP

CUSTOMARY: ALL DIMENSIONS IN INCHES				THIRD ANGLE PROJECTION	
IMPLIED TOLERANCES		PRODUCT: M7			
FRACTION	± 1/8	DESCRIPTION: SCHEMATIC, ELECTRICAL			
X	± .06	SIZE	SCALE	DRAWING CODE NUMBER	REV.
XX	± .03	D	NTS	97801003DWG	L
XXX	± .010	ASSEMBLY:-		SHEET 18 OF 26	

SEE LAST SHEET	JWW	601155
CHANGE	DRAWN BY: DATE:	E.C.O.# PLANE ANGLES 90°-1°

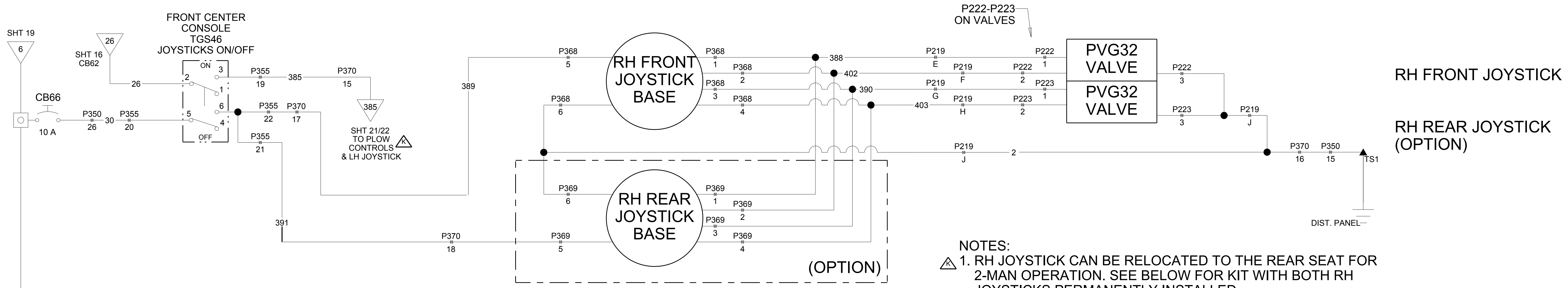


AT CAB WALL (P210)

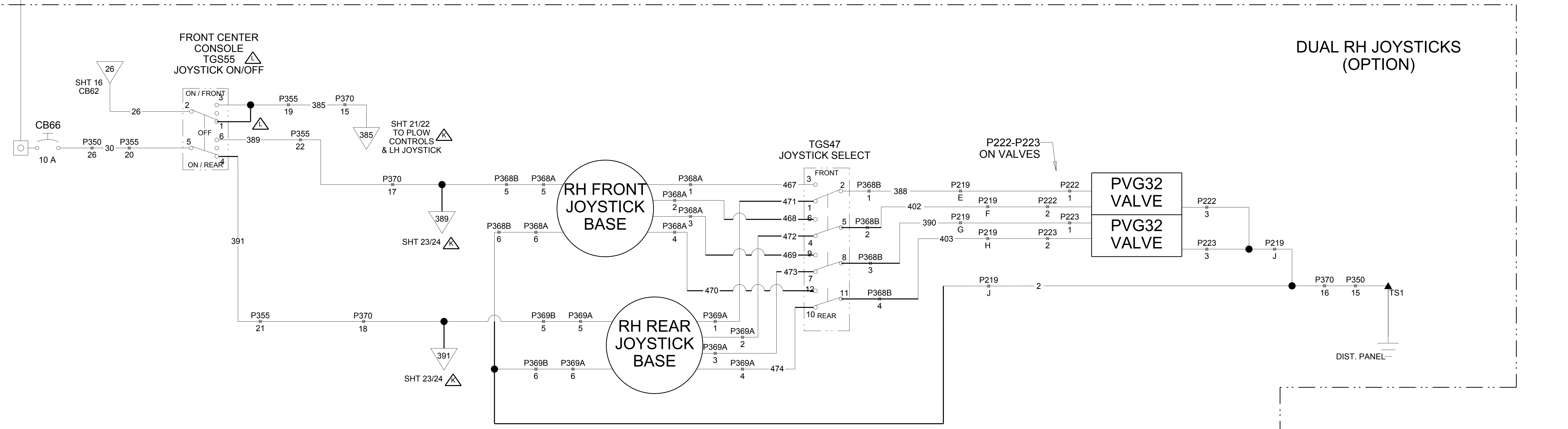
S/N800500 & UP

CUSTOMARY: ALL DIMENSIONS IN INCHES				THIRD ANGLE PROJECTION	
IMPLIED TOLERANCES		PRODUCT: M7			
DESCRIPTION: SCHEMATIC, ELECTRICAL					
FRACTION	± 1/8	SIZE	SCALE	DRAWING CODE NUMBER	REV
X	± .06	D NTS	97801003DWG	L	SHEET 19 OF 26
XX	± .03				
XXX	± .010				
MACHINE FINISH UNLESS OTHERWISE STATED		ASSEMBLY:-			

SEE LAST SHEET	JWW	601155
DATE:	11-14-13	E.C.O.#
CHANGE		PLANE ANGLES W/ F°



NOTES:
 ⚠ 1. RH JOYSTICK CAN BE RELOCATED TO THE REAR SEAT FOR 2-MAN OPERATION. SEE BELOW FOR KIT WITH BOTH RH JOYSTICKS PERMANENTLY INSTALLED.
 2. FOR LEFT HAND JOYSTICK BASE, SEE SHEETS 21 AND 22.



NOTES:
 ⚠ 1. USE KIT 98800051 TO PERMANENTLY INSTALL RH REAR JOYSTICK.
 2. FOR LEFT HAND JOYSTICK BASE, SEE SHEETS 21 AND 22.

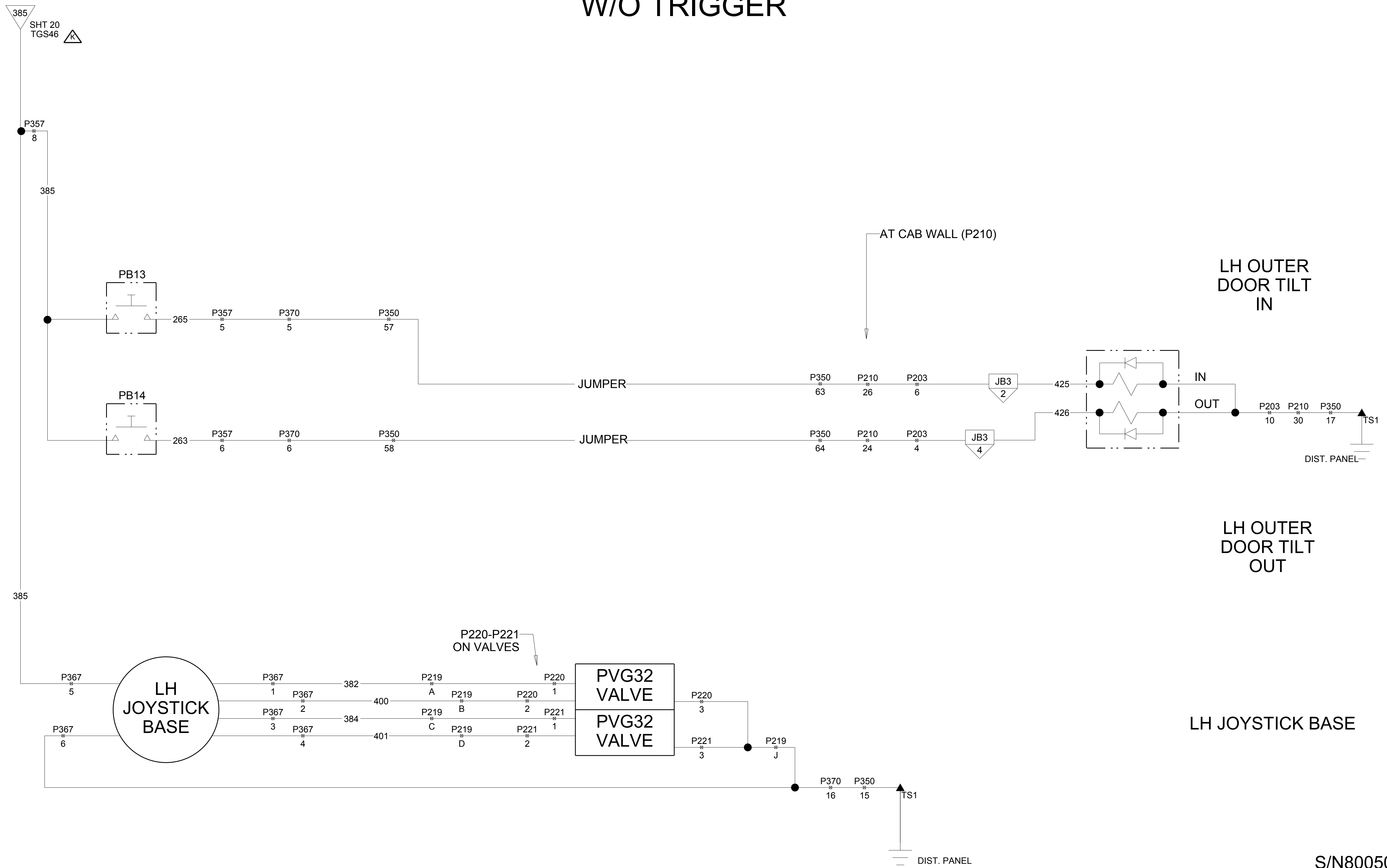
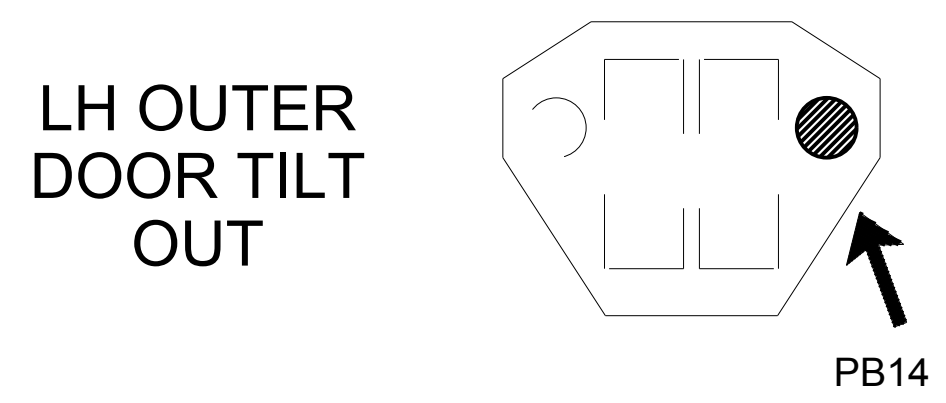
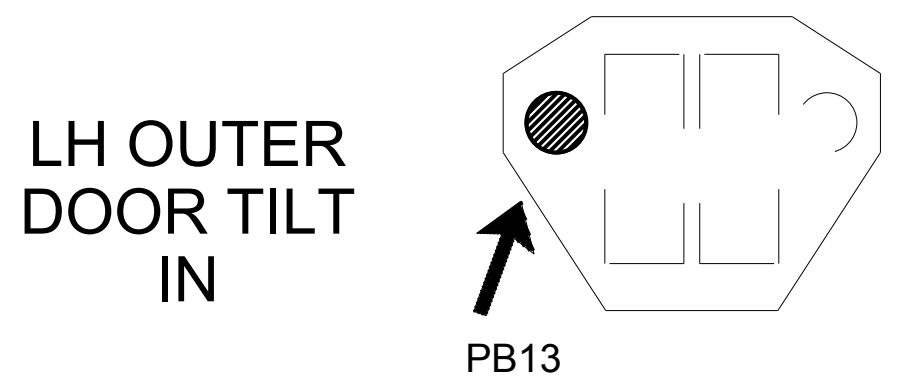
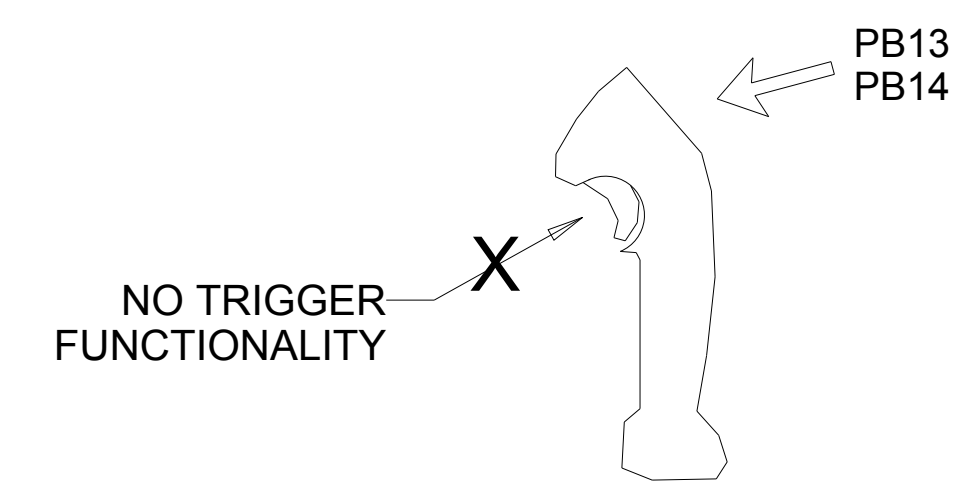
S/N800500 & UP

CUSTOMARY: ALL DIMENSIONS IN INCHES				THIRD ANGLE PROJECTION	
IMPLIED TOLERANCES		PRODUCT: M7			
DESCRIPTION: SCHEMATIC, ELECTRICAL					
FRACTION	± 1/8	SIZE	SCALE	DRAWING CODE NUMBER	REV.
X	± .06	D NTS	97801003DWG	L	SHEET 20 OF 26
XX	± .03				
XXX	± .010				

L	SEE LAST SHEET	JWW	11-14-13	601155	
REV	CHANGE	DRAWN BY:	DATE:	E.C.O.#	PLANE ANGLES W/ 1°

LEFT HAND JOYSTICK FUNCTIONS W/O TRIGGER

LH JOYSTICK ONLY
>FRONT SEAT<



NOTE: FOR RIGHT HAND JOYSTICK BASE, SEE SHT 16.

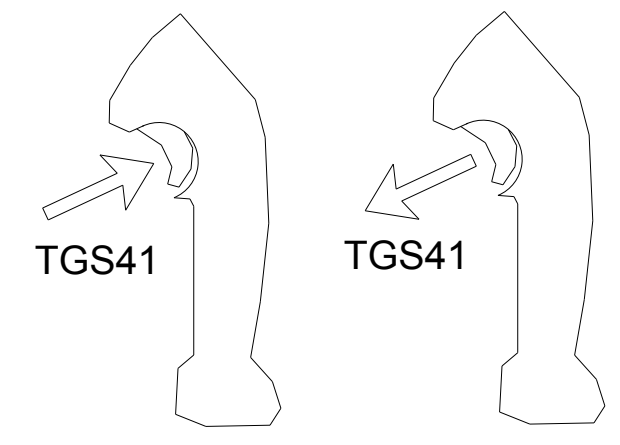
S/N800500 & UP

CUSTOMARY: ALL DIMENSIONS IN INCHES					
IMPLIED TOLERANCES		PRODUCT: M7			
FRACTION	± 1/8	DESCRIPTION: SCHEMATIC, ELECTRICAL			
X	± .06	SIZE	SCALE	DRAWING CODE NUMBER	REV.
XX	± .03	D NTS		97801003DWG	L
XXX	± .010	ASSEMBLY:-		SHEET 21 OF 26	

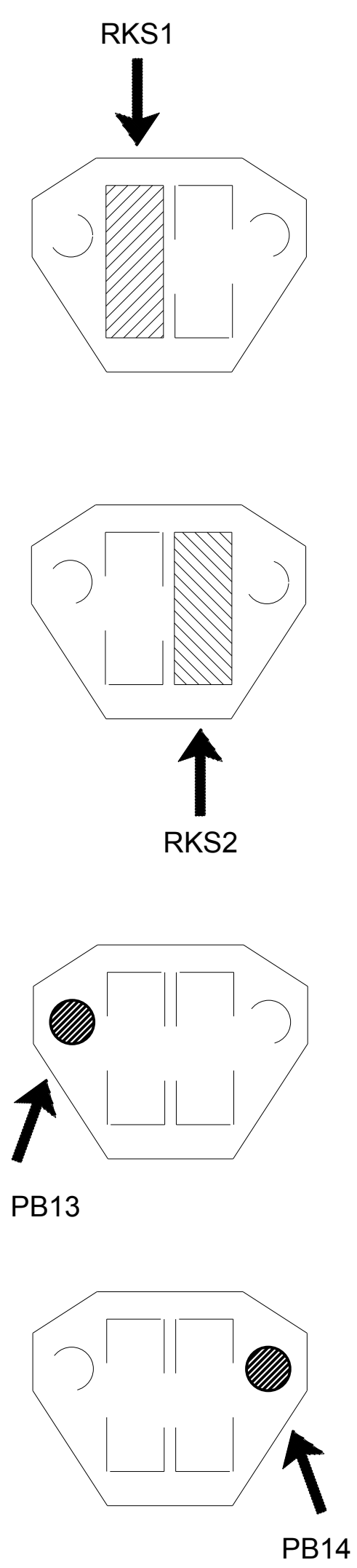
SEE LAST SHEET	JWW	601155
DATE:	11-14-13	E.C.O.#

LEFT HAND JOYSTICK FUNCTIONS WITH TRIGGER

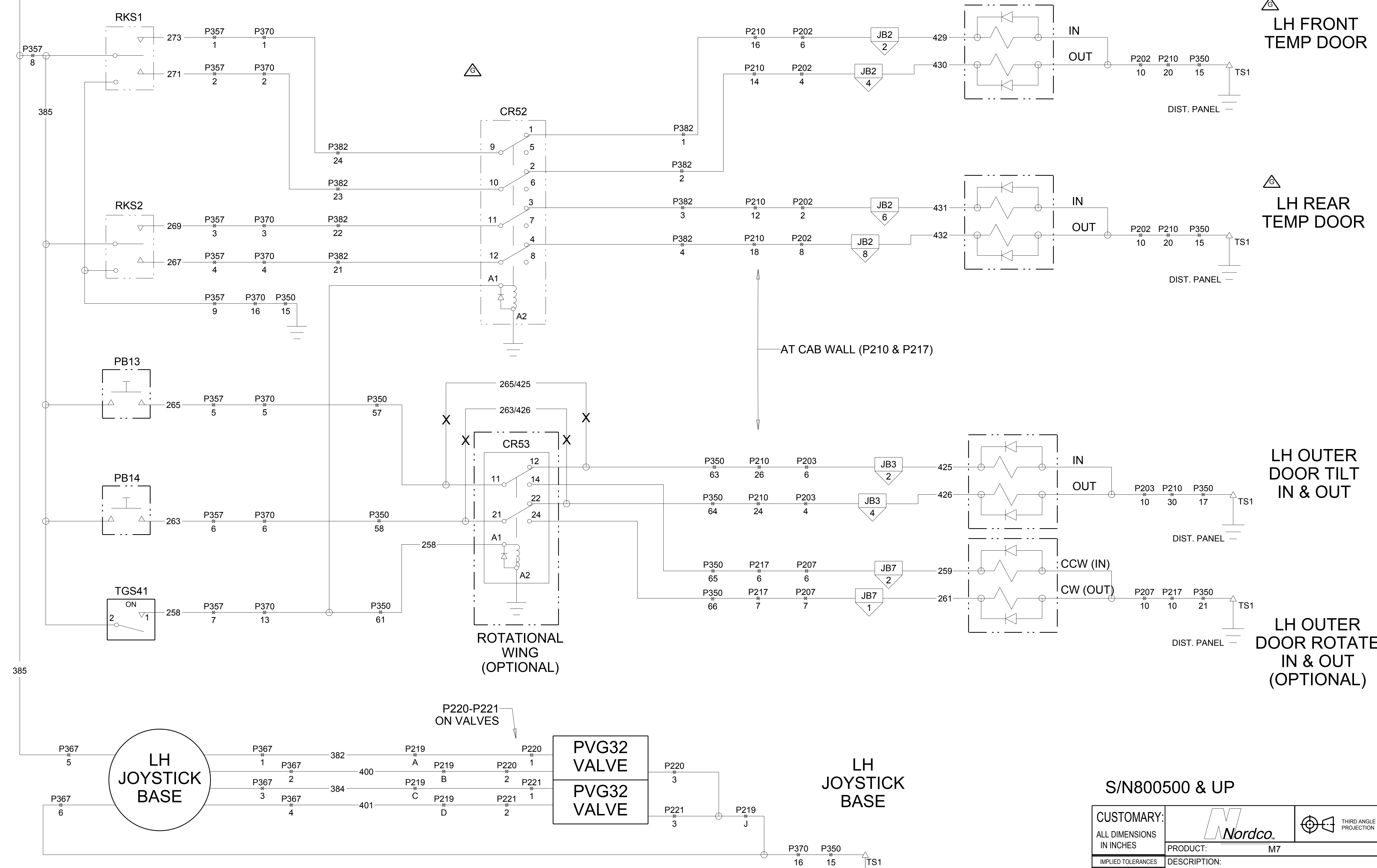
LH JOYSTICK ONLY
>FRONT SEAT<



- TRIGGER IN
- TRIGGER OUT
- LH FRONT TEMP DOOR IN
- LH FRONT TEMP DOOR OUT
- LH OUTER DOOR ROTATE IN
- LH OUTER DOOR TILT IN
- LH OUTER DOOR ROTATE OUT
- LH OUTER DOOR TILT OUT



SHT 20
TGS46



NOTE: FOR RIGHT HAND JOYSTICK BASE, SEE SHT 16.

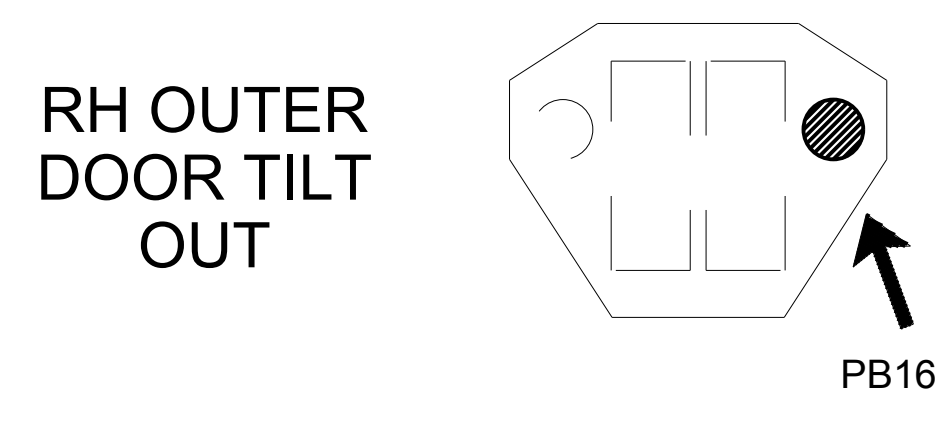
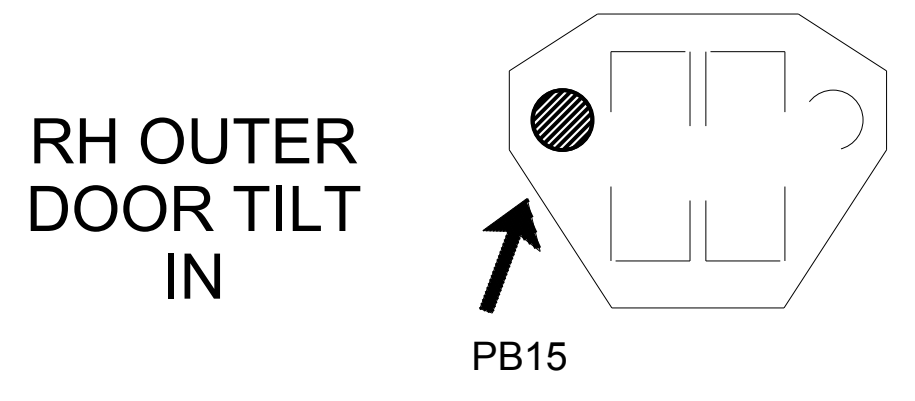
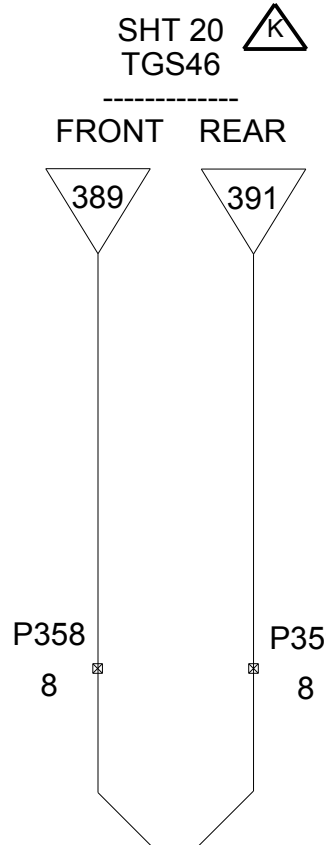
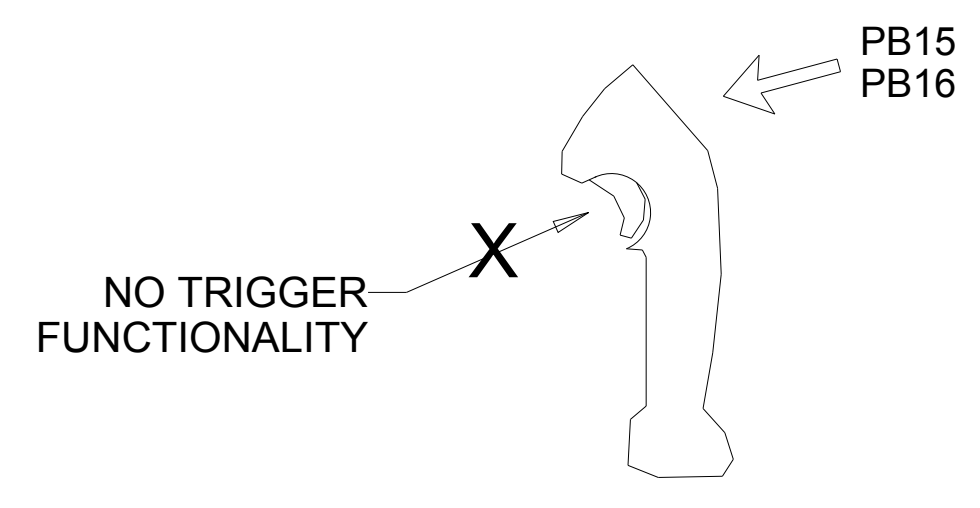
S/N800500 & UP

CUSTOMARY: ALL DIMENSIONS IN INCHES				THIRD ANGLE PROJECTION	
IMPLIED TOLERANCES		PRODUCT: M7			
FRACTION	± 1/8	DESCRIPTION: SCHEMATIC, ELECTRICAL			
X	± .06	SIZE	SCALE	DRAWING CODE NUMBER	REV
XX	± .03	D	NTS	97801003DWG	L
XXX	± .010	ASSEMBLY:-		SHEET 22 OF 26	

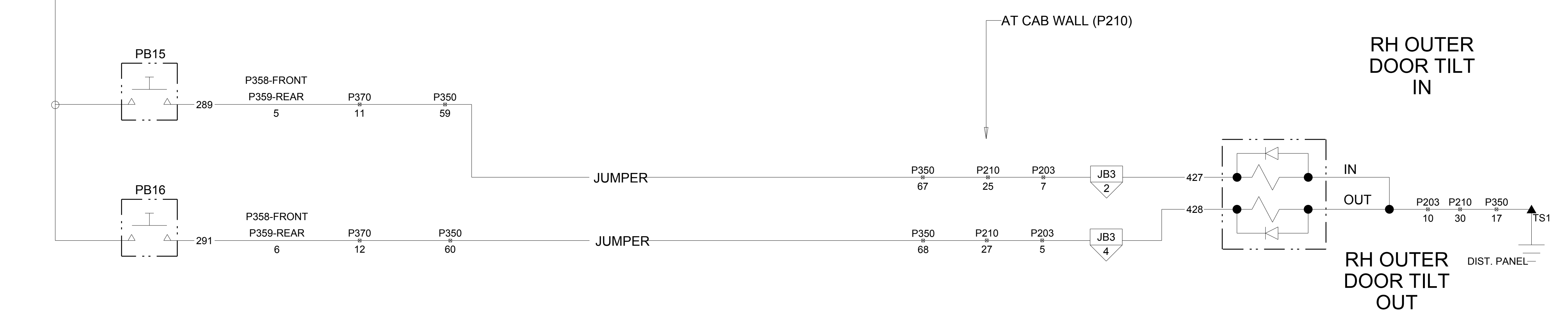
SEE LAST SHEET	JWW	601155
CHANGE	DRAWN BY: DATE:	E.C.O.# PLANE ANGLES W/ F°

RH JOYSTICKS ONLY
>FRONT -OR- REAR SEAT<

RH JOYSTICK
>FRONT SEAT ONLY<



RIGHT HAND JOYSTICK FUNCTIONS
W/O TRIGGER



NOTE: FOR RIGHT HAND JOYSTICK BASE, SEE SHT 16.

S/N800500 & UP

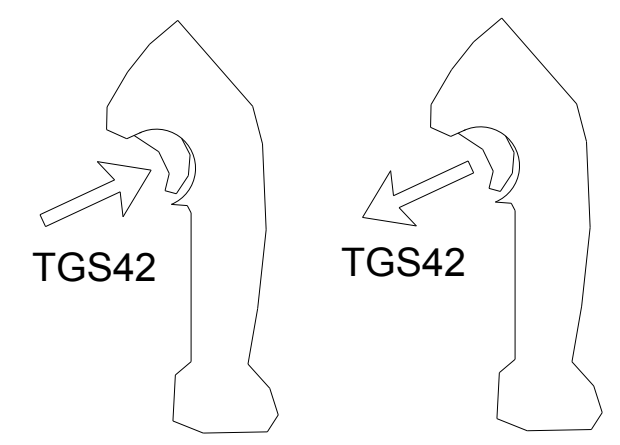
CUSTOMARY: ALL DIMENSIONS IN INCHES					
IMPLIED TOLERANCES		PRODUCT: M7			
FRACTION	± 1/8	DESCRIPTION: SCHEMATIC, ELECTRICAL			
X	± .06	SIZE	SCALE	DRAWING CODE NUMBER	REV
XX	± .03	D NTS		97801003DWG	L
XXX	± .010	ASSEMBLY:-		SHEET 23 OF 26	

SEE LAST SHEET	JWW	601155
DATE:	11-14-13	E.C.O.#

PLANE ANGLES 90°-1°	ASSEMBLY:-	SHEET 23 OF 26
---------------------	------------	----------------

RIGHT HAND JOYSTICK FUNCTIONS WITH TRIGGER

RH JOYSTICKS ONLY
>FRONT -OR- REAR SEAT<



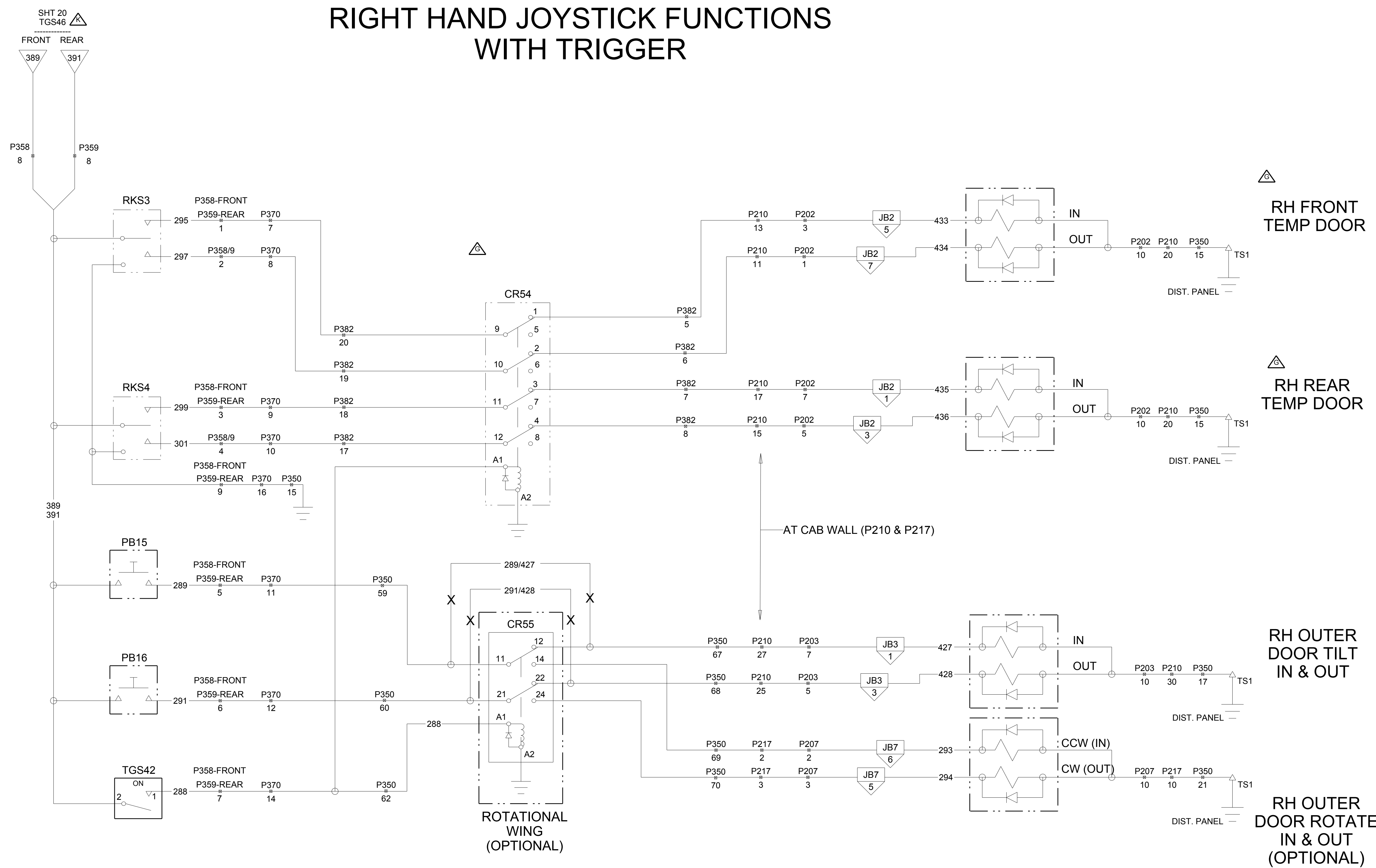
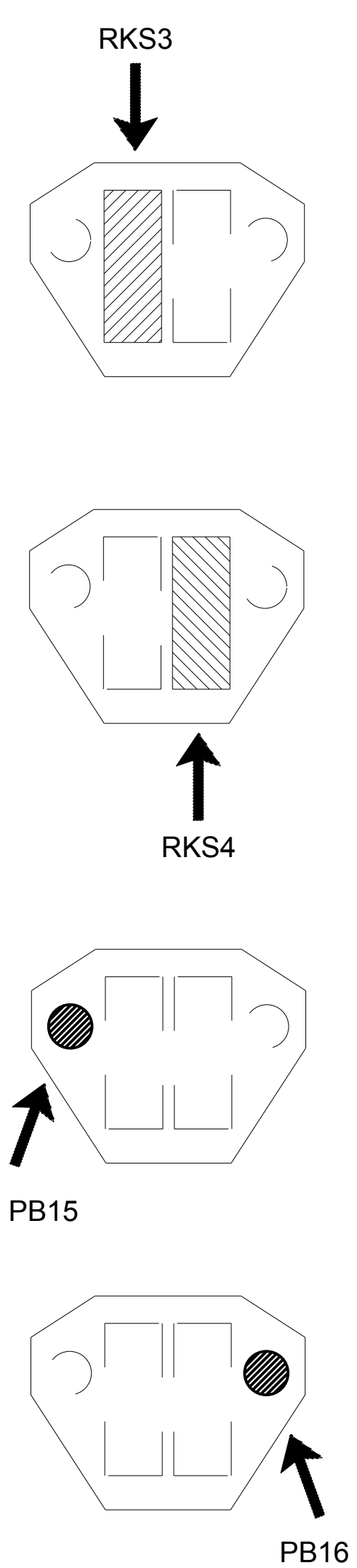
TRIGGER IN
TRIGGER OUT

RH FRONT TEMP DOOR IN
RH FRONT TEMP DOOR IN

RH FRONT TEMP DOOR OUT
RH FRONT TEMP DOOR OUT

RH OUTER DOOR ROTATE IN
RH OUTER DOOR TILT IN

RH OUTER DOOR ROTATE OUT
RH OUTER DOOR TILT OUT

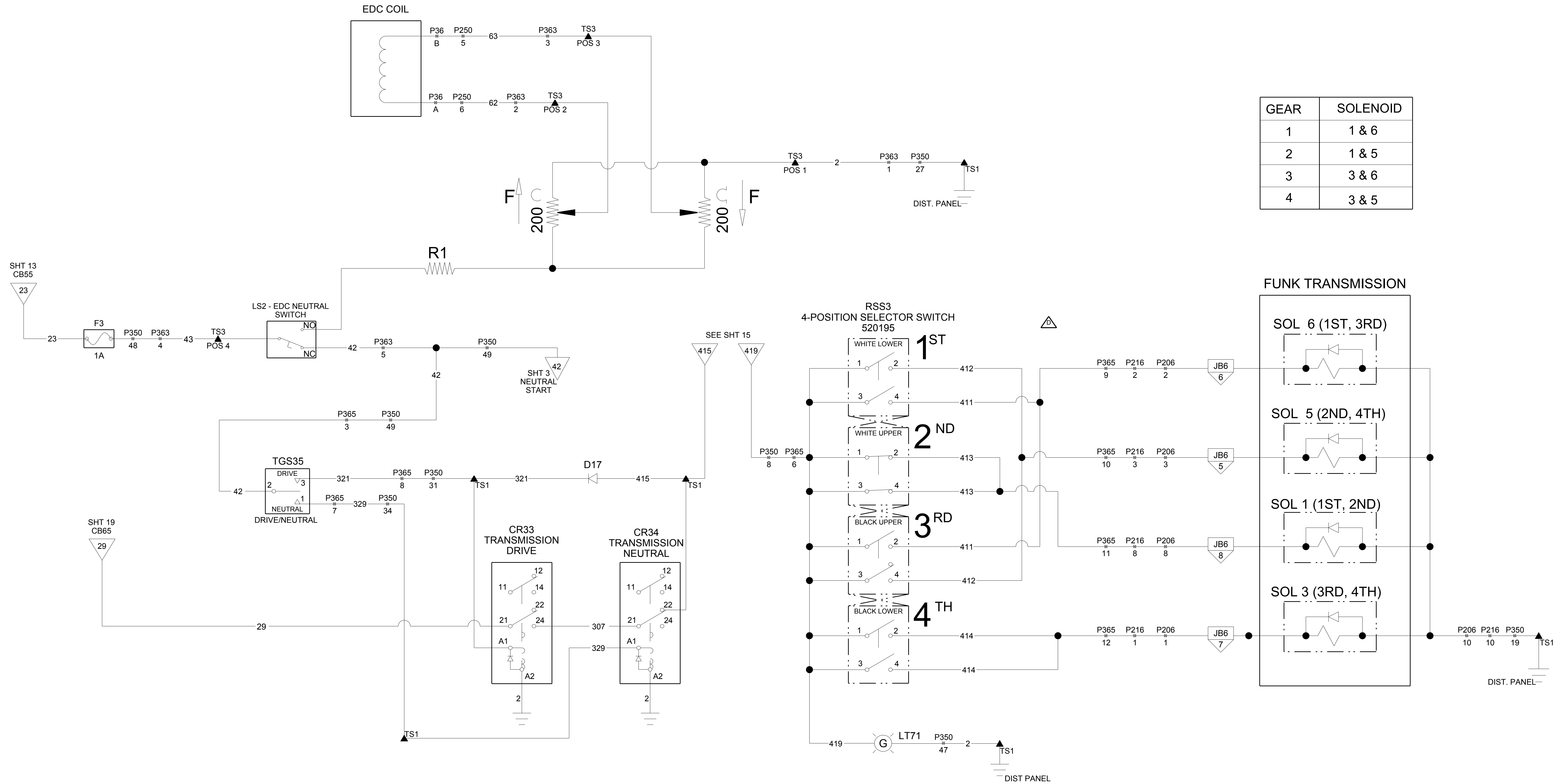


NOTE: FOR RIGHT HAND JOYSTICK BASE, SEE SHT 16.

S/N800500 & UP

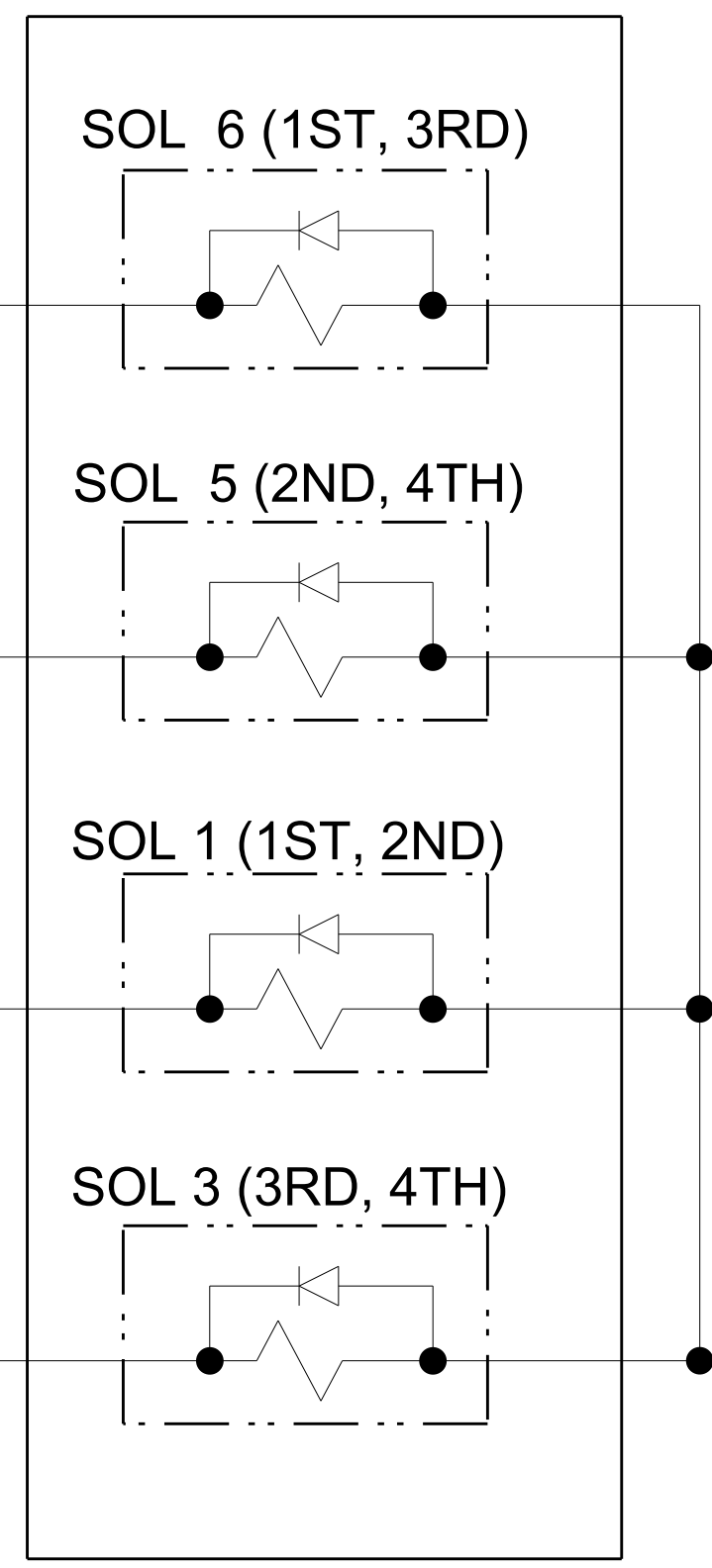
CUSTOMARY: ALL DIMENSIONS IN INCHES				THIRD ANGLE PROJECTION	
IMPLIED TOLERANCES		PRODUCT: M7			
FRACTION	± 1/8	DESCRIPTION: SCHEMATIC, ELECTRICAL			
X	± .06	SIZE	SCALE	DRAWING CODE NUMBER	REV.
XX	± .03	D	NTS	97801003DWG	L
XXX	± .010	ASSEMBLY:-		SHEET 24	OF 26

SEE LAST SHEET	JWW	601155	MACHINE FINISH UNLESS OTHERWISE STATED	
CHANGE	DRAWN BY: DATE:	E.C.O.#	PLANE ANGLES W/ 1°	ASSEMBLY:-



GEAR	SOLENOID
1	1 & 6
2	1 & 5
3	3 & 6
4	3 & 5

FUNK TRANSMISSION



S/N800500 & UP

CUSTOMARY: ALL DIMENSIONS IN INCHES				THIRD ANGLE PROJECTION	
IMPLIED TOLERANCES		PRODUCT: M7			
FRACTION	± 1/8	DESCRIPTION: SCHEMATIC, ELECTRICAL			
X	± .06	SIZE	SCALE	DRAWING CODE NUMBER	REV.
XX	± .03	D NTS		97801003DWG	L
XXX	± .010	ASSEMBLY:-		SHEET 25	OF 26

SEE LAST SHEET	JWW	601155
DATE:	11-14-13	E.C.O.#

PLANE ANGLES W/ 1°	ASSEMBLY:-	SHEET 25	OF 26
--------------------	------------	----------	-------

ECO	600163	REV A	
DRAWN BY:	CHECKED BY:	APPROVED BY:	
MKS 1/22/10	SCR 01/25/10		
SHEET	CHANGE		
ALL	NEW ISSUE		

ECO	600185	REV B	
DRAWN BY:	CHECKED BY:	APPROVED BY:	
MKS 2/08/10			
SHEET	CHANGE		
17	ADDED TMR6 & TMR7 TO BROOM ON/OFF SWITCH.		

ECO	600185	REV C	
DRAWN BY:	CHECKED BY:	APPROVED BY:	
MKS 3/16/10			
SHEET	CHANGE		
17	CORRECTED SWITCH TGS22 WIRING.		

ECO	600223	REV D	
DRAWN BY:	CHECKED BY:	APPROVED BY:	
BJB 4/22/10	SCR 05-31-10	SW 06-01-10	
SHEET	CHANGE		
3	F7 WAS CB50		
24	CORRECTED RSS3 WIRING.		

ECO	600598	REV E	
DRAWN BY:	CHECKED BY:	APPROVED BY:	
MKS 01-31-12	SCR 02-08-12		
SHEET	CHANGE		
17	WIRE 27 TO AUGER WAS WIRE 420 FROM E-PUMP. DELETED ERRONEOUS "P10-3" ON WIRE 27 BEFORE TIMERS.		

ECO	600688	REV F	
DRAWN BY:	CHECKED BY:	APPROVED BY:	
SWA 05-25-12	CP 5-25-2012		
SHEET	CHANGE		
17	TRAVERSING BOOM OPTION ADDED		

ECO	600820	REV G	
DRAWN BY:	CHECKED BY:	APPROVED BY:	
MKS 10/09/12	SCR 10/19/12		
SHEET	CHANGE		
21	ADDED MISSING FRONT & REAR TEMPLATE DOOR FUNCTIONS. DELETED BYPASS WIRES FOR CR52 & CR54.		
23			

ECO	600910	REV H	
DRAWN BY:	CHECKED BY:	APPROVED BY:	
SWA 03-26-13			
SHEET	CHANGE		
1	CB TABLE - CB70 & CB71 ADDED TO SHEET 3		
3	RSS1 - CB70 & RADIO TIMER #5 ADDED. RADIO / CONVERTER POWER OPTIONS ADDED: FUSE F11, CB71, AND CB71 WITH 2-HOUR DELAY TIMER.		
6	CB31 - WIRE 3 OPTIONAL ADDED.		
7	CB33 - WIRE 3 OPTIONAL ADDED.		
8	CB34 & CB36 - WIRE 3 OPTIONAL ADDED.		

ECO	601080	REV J	
DRAWN BY:	CHECKED BY:	APPROVED BY:	
SWA 08-21-13	SCR 2013.08.28		
SHEET	CHANGE		
14	TGS52 CHANGES - TERMINAL #1 WAS #3 (UP) TERMINAL #2 WAS #1 (DOWN) WITH WIRE #460 TERMINAL #3 WAS #2 WITH WIRE #460		

ECO	601155	REV K	
DRAWN BY:	CHECKED BY:	APPROVED BY:	
JWW 14-NOV-13	CP, 2013.11.20		
SHEET	CHANGE		
1	ADDED 42350240 TO HARNESS LIST		
13	MARKER "TO SHT 25" WAS "TO SHT 24".		
15	MARKER "TO SHT 25" WAS "TO SHT 24".		
16	MOVED JOYSTICK CONTROLS TO NEW SHEET 20.		
19	MARKER "TO SHT 25" WAS "TO SHT 24". ADDED WIRE 6 MARKER "TO SHT 20".		
20	ADDED THIS SHEET, INCLUDING CONTROLS FROM SHEET 16. CORRECTED SHEET NUMBERS. ADDED DUAL JOYSTICK OPTION. TGS47 CHANGED TO 4PDT. TGS46 COMMON TO BOTH STANDARD AND DUAL OPTION.		
21	WAS SHEET 20. "FROM" SHEET NUMBER UPDATED.		
22	WAS SHEET 21. "FROM" SHEET NUMBER UPDATED.		
23	WAS SHEET 22. "FROM" SHEET NUMBER UPDATED. P370@17/18 REMOVED (REDUNDANT).		
24	WAS SHEET 23. "FROM" SHEET NUMBER UPDATED. P370@17/18 REMOVED (REDUNDANT).		
25	WAS SHEET 24.		



ECO	601155	REV L	
DRAWN BY:	CHECKED BY:	APPROVED BY:	
JWW 6-JAN-14			
SHEET	CHANGE		
6	TGS54 WAS TGS52.		
20	DUAL JOYSTICK SWITCH CHANGED FROM ON-ON TO ON-OFF-ON, RE-LABELLED TGS55 (WAS TGS46).		

CUSTOMARY:					
ALL DIMENSIONS IN INCHES		PRODUCT: M7			
IMPLIED TOLERANCES		DESCRIPTION: SCHEMATIC, ELECTRICAL			
FRACTION	± 1/8	SIZE	SCALE	DRAWING CODE NUMBER	REV
X	± .06	D NTS	97801003DWG	L	
XX	± .03				
XXX	± .010				
MACHINE FINISH UNLESS OTHERWISE STATED		ASSEMBLY:- SHEET 26 OF 26			
PLANE ANGLES 90-179°					

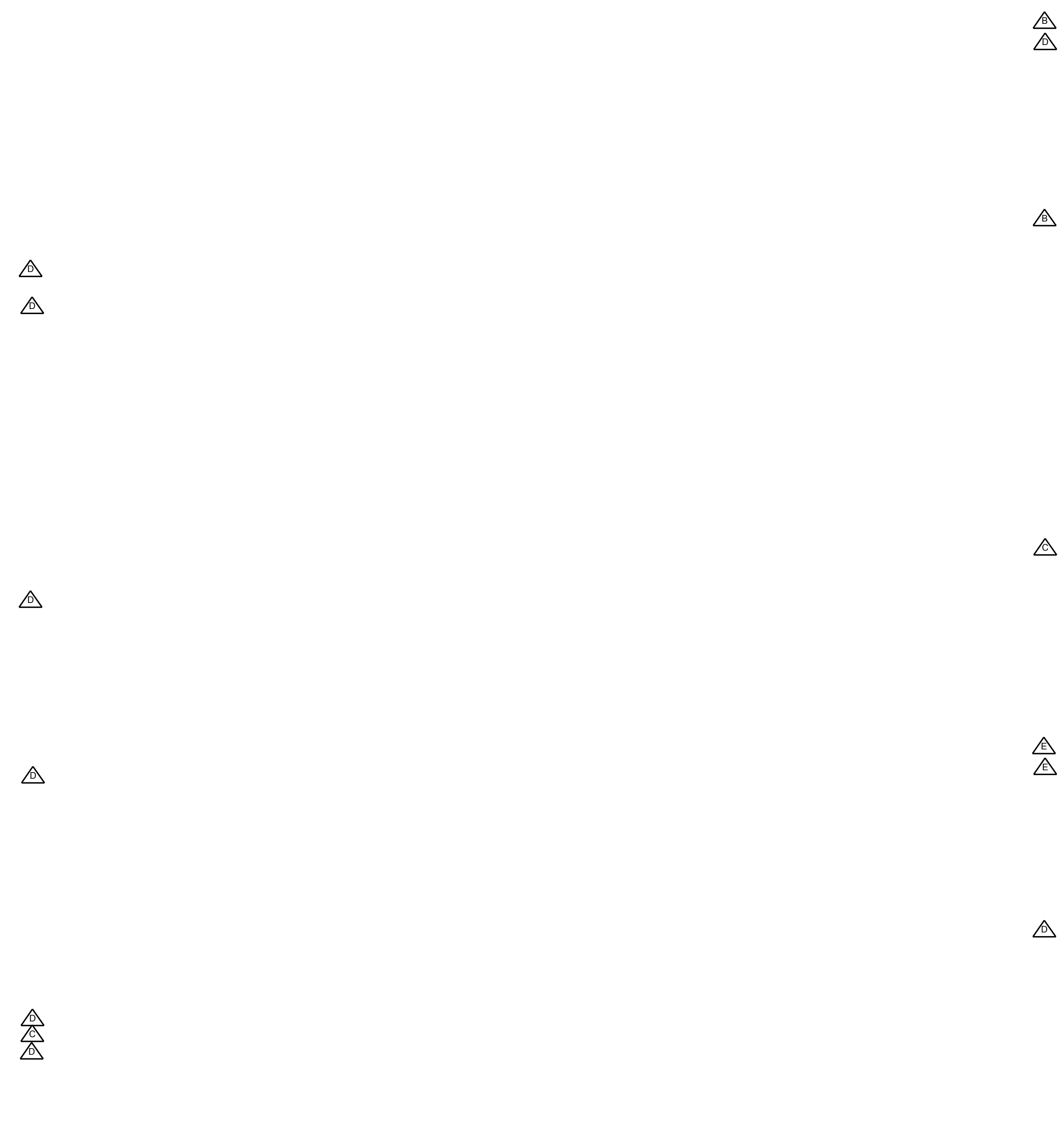
OVERHEAD PANEL CUSTOMER OPTIONS LIST			
SHEET	OPTIONS	DESCRIPTION	PURPOSE
4	-	OVERHEAD PANEL ASSY OPTIONS	LOCATION OF PANEL OPTIONS
5	M01	SIDE WINDOW WIPERS	ON-OFF SWITCH FOR OPERATING SIDE WINDOW WIPERS
6	M02	HYD OIL LEVEL / TEMP WARNING	RED LIGHT AND BUZZER ACTIVATE WHEN HYD. OIL LEVEL IS TOO LOW OR HYD OIL TEMP. IS TOO HIGH.
7	M03	WING INNER DOORS	SWITCHES TO OPERATE INNER DOORS ON HD BALLAST WINGS.
8	M04	TURNTABLE DOWN WARNING	RED LIGHT AND BUZZER ACTIVATE WHEN TURNTABLE IS DOWN. GREEN LIGHT ACTIVE WHEN TURNTABLE IS UP.
9	M05	TACHOMETER GAUGE	ELECTRONIC 4" TACHOMETER GAUGE, IN ADDITION TO MURPHYLINK
10	M06	PERIMETER LIGHTING	TO PROVIDE FLOOD LIGHTING AROUND MACHINE.
11	M07	LOCOMOTIVE LIGHTS	ADDITIONAL HIGH INTENSITY FRONT AND REAR LIGHTS FOR VISIBILITY.
12	M09	SNOW WING LOCK-UP	SWITCH FOR SNOW WING STORAGE LOCK PINS.
13	M10	SNOW CHUTE ROTATE / TILTABLE	MOMENTARY SWITCH FOR OPERATING SNOW CHUTE DIRECTION OR TILT OF STONE DEFLECTOR.
14	M11	SNOW AUGER	ON-OFF SWITCH FOR OPERATING SNOW AUGER.
15	M12	TURNTABLE INTERLOCK	ON - OFF SWITCH TO RESTRICT OPERATING THE TURNTABLE.
16	M13	CUMMINS ENGINE DIAGNOSTIC PLUG	ALLOWS CUMMINS SERVICE TECHNICIAN TO CONNECT ENGINE TO LAPTOP.
17	M14	TURNTABLE POWERLOCK	ON - OFF SWITCH TO LOCK/UNLOCK TURNTABLE.
18	M15	TRAVERSING BROOM	ON-OFF-ON MOMENTARY SWITCH TO OPERATE THE LEFT-RIGHT BROOM SHIFT

- NOTES:
1. USE CABLE TIES, ITEM 185 AS REQUIRED.
 2. ALL WIRES TO BE IDENTIFIED WITH WIRE MARKERS AT BOTH ENDS. MARKERS ARE TO BE APPLIED ON WIRE, NOT ON TERMINALS.
 3. ALL WIRE SIZES AND CONNECTIONS TO BE PER WIRE CONNECTION LIST.
 4. ROUTING OF THE WIRES TO ALLOW ACCESS TO INSIDE COMPONENTS AND FREE MOVEMENT OF THE PANEL. ALL WIRES AND DEVICES TO BE NO CLOSER THAN 1" TO ANY OUTSIDE EDGE OF THE PANEL.
 5. ALL MOUNTING HARDWARE TO BE ORIENTED WITH THE BOLT HEADS ON THE OUTSIDE OF THE PANEL.
 6. ALL COMPONENT IDENTIFICATIONS SHOWN BOXED ARE TO BE LABELLED WITH TEXT SHOWN.
 7. APPLY HEAT SHRINK MATERIAL OVER ALL DIODES AND CAPACITORS (INDIVIDUALLY) TO ELIMINATE ANY BARE WIRES. LABEL WIRES ON ANODE SIDE OF EACH DIODE AS CLOSE AS POSSIBLE TO HEAT SHRINK.
 8. WIRES TO BE STRANDED COPPER OF INDICATED GAUGE, GXL, SXL TYPE OR APPROVED EQUIVALENT.
 9. ALL WIRE TO HAVE A TERMINAL CRIMPED TO ENDS. NO BARE WIRE CONNECTIONS TO COMPONENTS. AT POINTS WHERE 2 WIRES ARE AT ONE CONNECTION, CRIMP IN SAME TERMINAL, BUT USE TERMINAL ONE SIZE LARGER TO ACCOMODATE BOTH WIRES. NO MORE THAN 2 WIRES ARE ALLOWED PER CRIMPED TERMINAL.

SHEET LIST	
SHEET(S)	DESCRIPTION
1	PART NUMBER TABLE & NOTES
2	STANDARD PANEL BOM & WIRE LIST
3	STANDARD PANEL ASSEMBLY
4	CUSTOMER OPTIONS PANEL ASSY
5-17	CUSTOMER OPTIONS BOM & DETAILS
18	DRAWING REVISION HISTORY

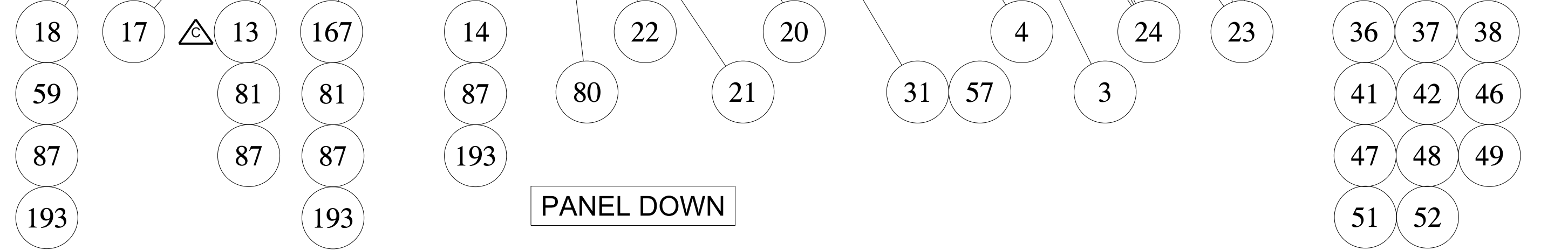
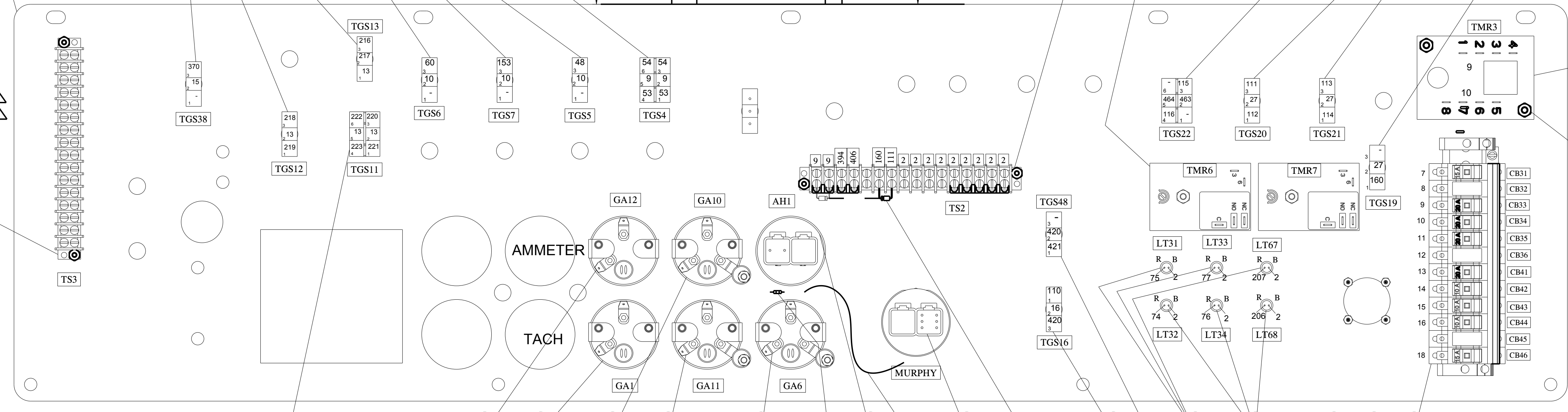
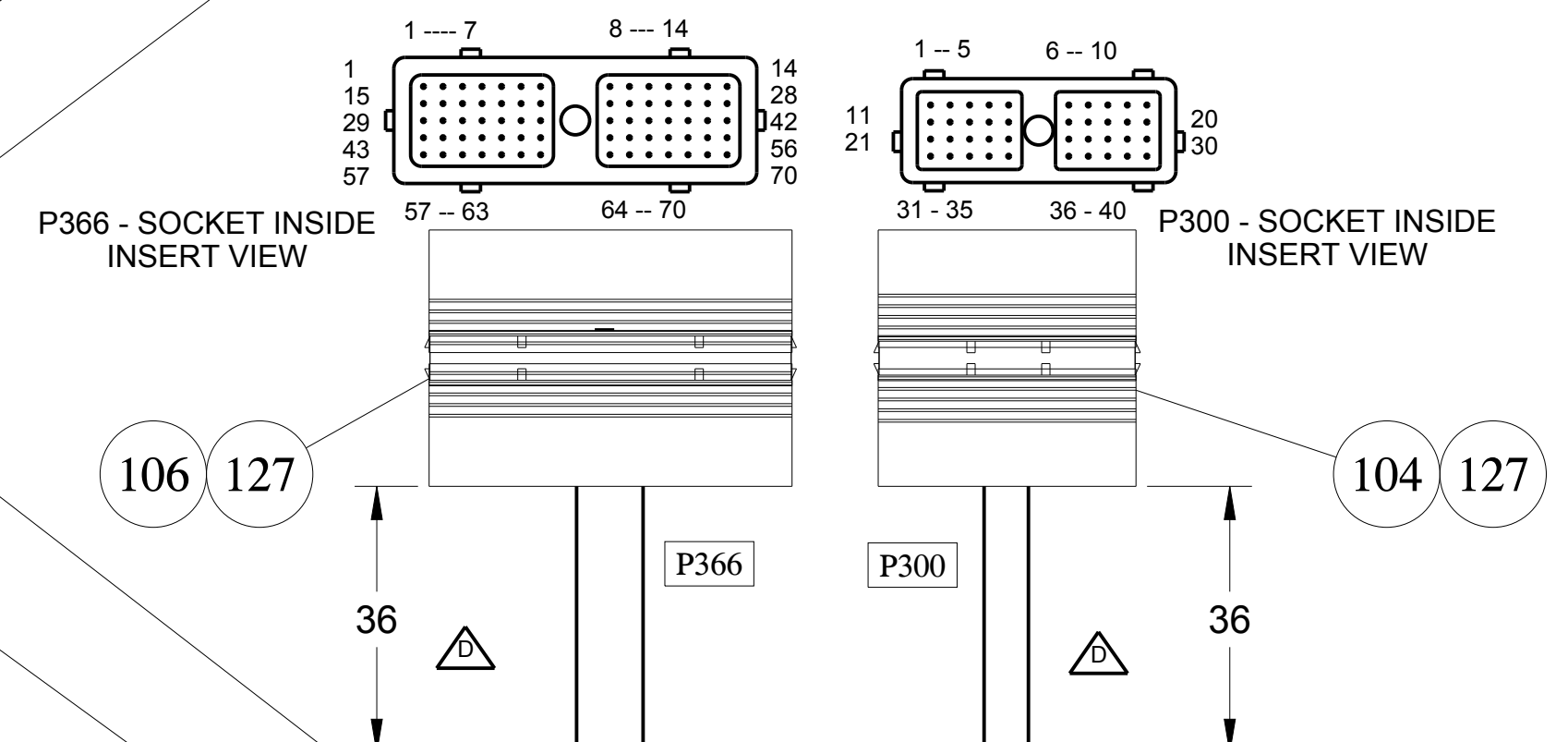
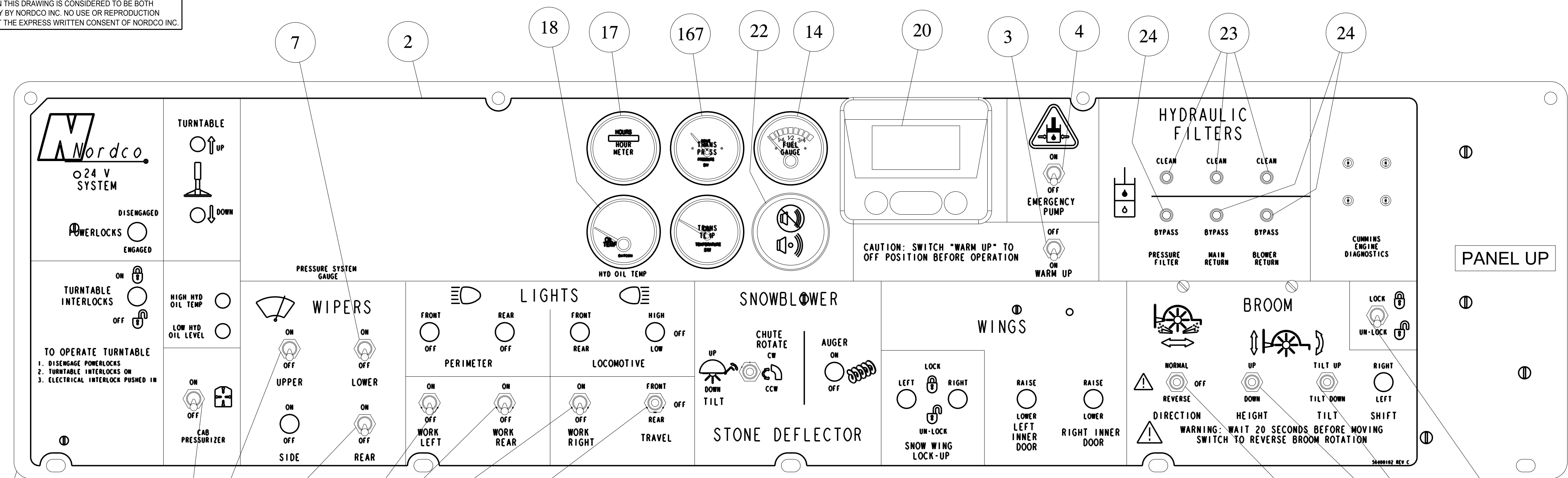
CUSTOMARY: ALL DIMENSIONS IN INCHES	 				
	PRODUCT:	M7			
IMPLIED TOLERANCES	DESCRIPTION: ASSY, OVERHEAD CONSOLE				
FRACTION	± 1/8	SIZE	SCALE	DRAWING CODE NUMBER	REV
X	± .06	D	.500	96800010	G
XX	± .03				
XXX	± .010				

STANDARD ITEMS - BILL OF MATERIALS				
ITEM NO.	PART NUMBER OR MATERIAL	QTY. REQ.	PART NAME	DESIGNATION
1	53080176	1	PANEL, OH CONSOLE (11 GA.)	
2	56400102	1	PLAQUE, OH CONSOLE	
3	5125587	8	SWITCH, TOGGLE SPDT ON-ON	TGS5,6,7,12,13,19,38,48
4	5125592	1	SWITCH, TOGGLE SPDT (ON)-ON	TGS16
5	5125590	2	SWITCH, TOGGLE SPDT (ON)-OFF-(ON)	TGS20,21
6	5125586	1	SWITCH, TOGGLE DPDT ON-OFF-ON	TGS4
7	5125579	1	SWITCH, TOGGLE DPDT ON-ON	TGS11
9	76484552	2	TERMINAL STRIP 16 PLACE	
10	2837349	4	RND HD MS, #6-32 X .750	TS2, TS3
11	3048028	4	HEX NUT, 6-32 UNC	
12	3064452	4	LOCKWASHER, #6	
13	580057	1	GAUGE, TEMP TRANS	GA10
14	7072117	1	GAUGE, FUEL	GA6
16				
17	7088109	1	GAUGE, HOURMETER, 24V	GA1
18	500638	1	GAUGE, HYDRAULIC OIL TEMPERATURE	GA12
20	7079011	1	GAUGE, DIGITAL DIAGNOSTIC	MURPHY
21	520212		HARNESS, POWERVIEW JUMPER 12" LG PVW-J	
22	7079012	1	GAUGE, AUDIBLE ALARM	AH1
23	5190921	3	LAMP, GREEN LED	LT32,34,68
24	5190918	3	LAMP, RED LED	LT31,33,67
27	7055506	1	TIMER, 0.1...10 S	
28	2837649	2	RND HD MS, #10-24 X 1.25	TMR3
31	29680018	1	DIODE, #1N5624	D7
36	5128935	3	BREAKER, CIRCUIT 10 A MAN RESET	CB42,43,44
37	5128936	1	BREAKER, CIRCUIT 15 A MAN RESET	CB31
38	5128937	3	BREAKER, CIRCUIT 20 A MAN RESET	CB33,34,41
41	5128435	2	STOP, DIN RAIL	
42	81941107	1	RAIL, DIN 7 INCH	
46	2837613	2	RND HD MS, #10-24 X .375	
47	3048042	6	HEX NUT, 10-24 UNC	
48	3064458	6	LOCKWASHER, #10	
49	53110007	2	MOUNTING, CIRCUIT BREAKER 6 PLACE	
51	5104995	1	BAR, BUSS, 13 POSITION	
52	31403662	1	INSULATOR, BUSS BAR	
57	5159050	6	JUMPER	
59	520062	1	LIGHT ADAPTER 24V TO 12V	GA12
80	520213	1	RESISTOR, TERMINATING	R7
81	61200106	1	RESISTOR, 12 GA ADAPTER	GA11
87	5150175	3	LAMP, BULB 24V BAYONET	GA6, GA11, GA12
88				
89				
91	520276	1	SWITCH, TOGGLE DPDT ON-OFF-ON	TGS22
104	5166841	1	CONNECTOR, 40 PIN RECEPTACLE,	P300
106	5166851	1	CONNECTOR, 70 PIN	P366
127	5166797	AR	PIN, 16 GA	P300,366
167	640063	1	GAUGE, PRESSURE TRANSMISSION	GA11
185	5170240	AR	CABLE TIES	
193	G-173-24V	3	LIGHT KIT 24V	GA6, GA11, GA12
194				
195	80010028	2	TIMER, ADJ, 1-100 SEC, 12-48 VOLT	TMR6, TMR7
196	2837652	2	RND HD MS #10-24 X 1.5	



CUSTOMARY: ALL DIMENSIONS IN INCHES					
IMPLIED TOLERANCES		PRODUCT: M7			
FRACTION	± 1/8	DESCRIPTION: ASSY, OVERHEAD CONSOLE			
X	± .06	SIZE	SCALE	DRAWING CODE NUMBER	REV
XX	± .03	D	.500	96800010	G
XXX	± .010				
REV	CHANGE	DATE	E.C.O.#	PLANE ANGLES W/ F°	ASSEMBLY:-
					SHEET 2 OF 19

SEE LAST SHEET SWA 09-09-13 601104
 DRAWN BY: DATE: E.C.O.# PLANE ANGLES W/ F°

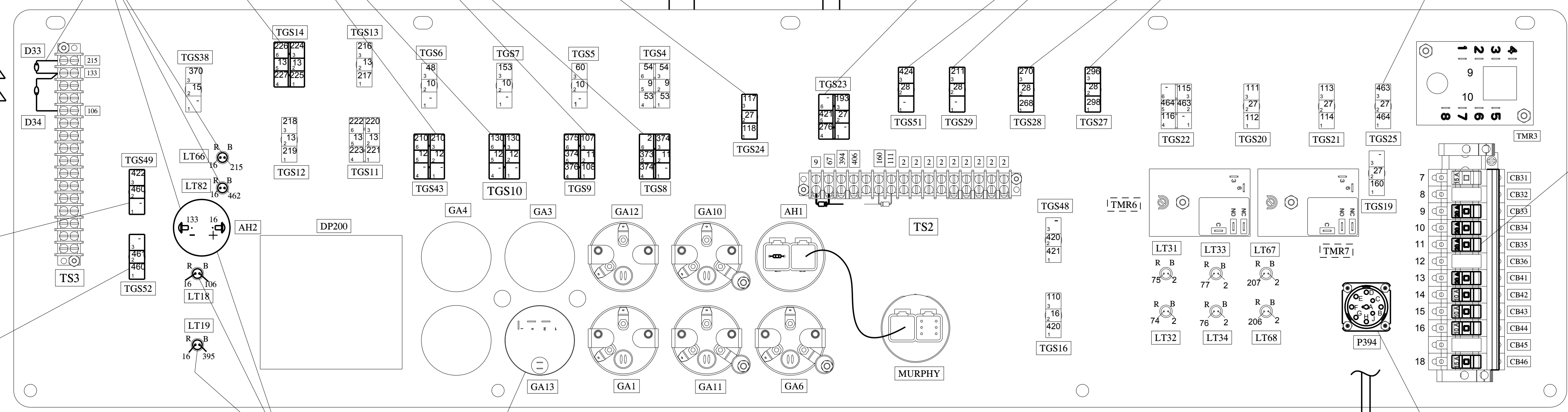
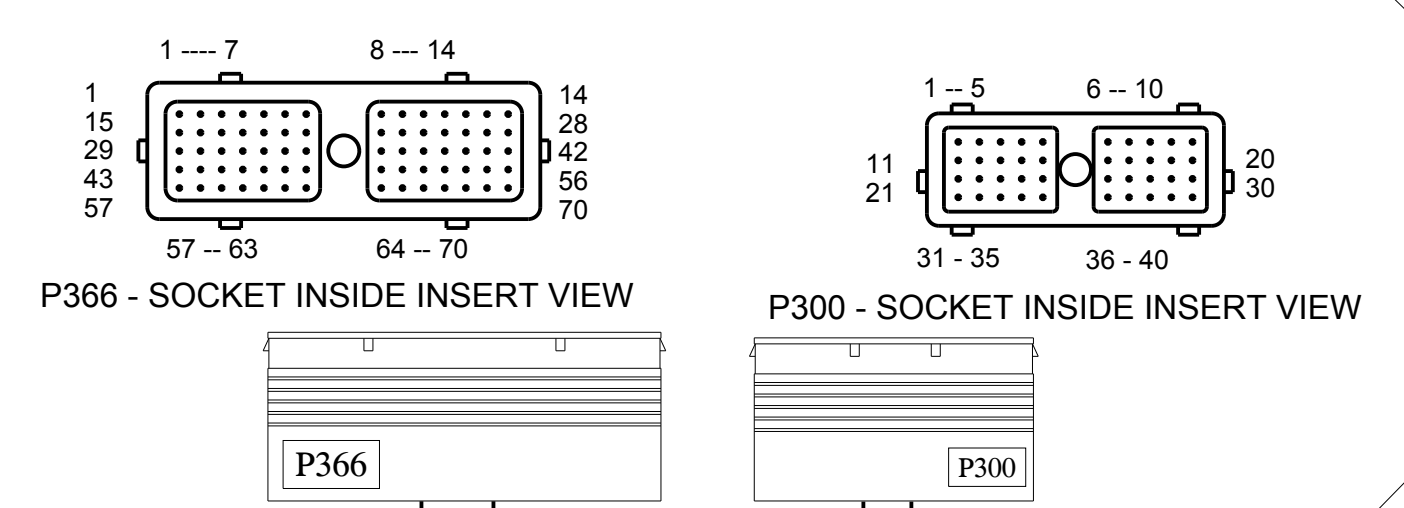
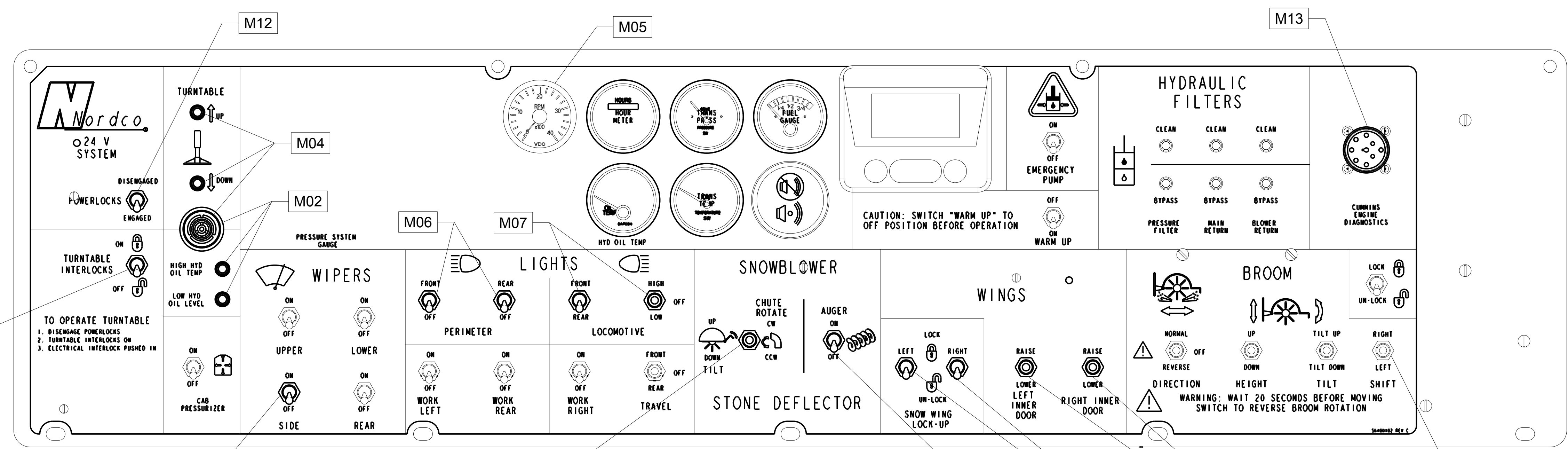


PANEL ASSY - NO OPTIONS

SUPERSEDES DRAWING 520217-REV D

CUSTOMARY:					
ALL DIMENSIONS IN INCHES		PRODUCT: M7		DESCRIPTION: ASSY, OVERHEAD CONSOLE	
IMPLIED TOLERANCES	FRACTION	± 1/8	± 0.06	SIZE	SCALE
X	XX	± 0.03	± 0.10	DRAWING CODE NUMBER	REV
XXX	XXX			96800010	G

SEE LAST SHEET	SWA 09-09-13	601104	MACHINE FINISH UNLESS OTHERWISE STATED	PLANE ANGLES 45°	ASSEMBLY:-	SHEET 3 OF 19
REV	CHANGE	DRAWN BY: DATE:	E.C.O.#	PLANE ANGLES 45°	ASSEMBLY:-	SHEET 3 OF 19



PANEL ASSY - WITH OPTIONS

CUSTOMARY: ALL DIMENSIONS IN INCHES				THIRD ANGLE PROJECTION
IMPLIED TOLERANCES		PRODUCT: M7		
FRACTION	± 1/8	DESCRIPTION: ASSY, OVERHEAD CONSOLE		
X	± .06	SIZE	SCALE	DRAWING CODE NUMBER
XX	± .03	D	.500	96800010
XXX	± .010	REV		G
SEE LAST SHEET		SWA 09-09-13	601104	
REV	CHANGE	DRAWN BY: DATE:	E.C.O.#	PLANE ANGLES 45°-1°
		ASSEMBLY:-		SHEET 4 OF 19

OPTION M01

SIDE WINDOW WIPERS

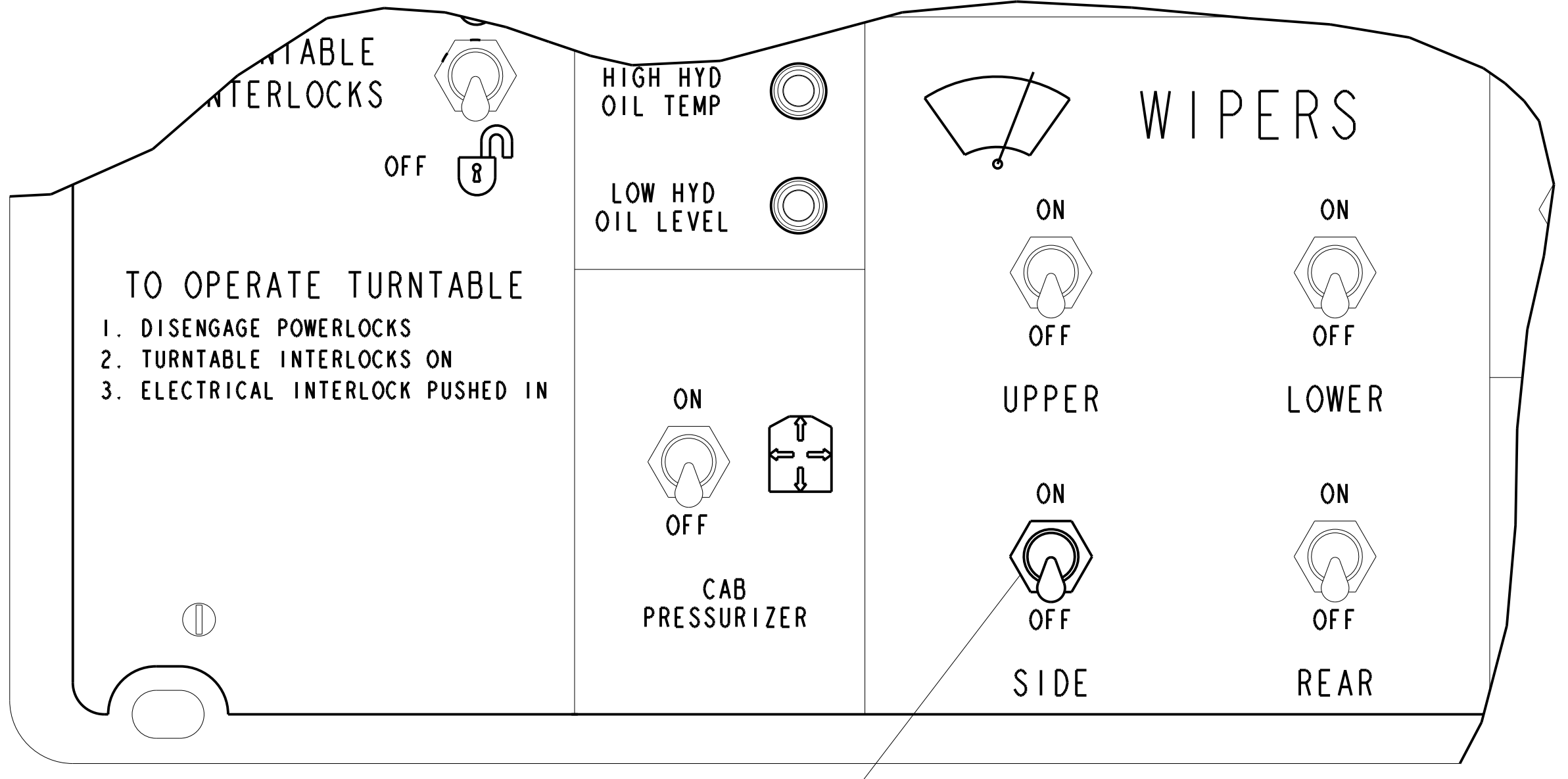
PURPOSE: ON-OFF SWITCH FOR OPERATING SIDE WINDOW WIPERS.

MOD NEEDS

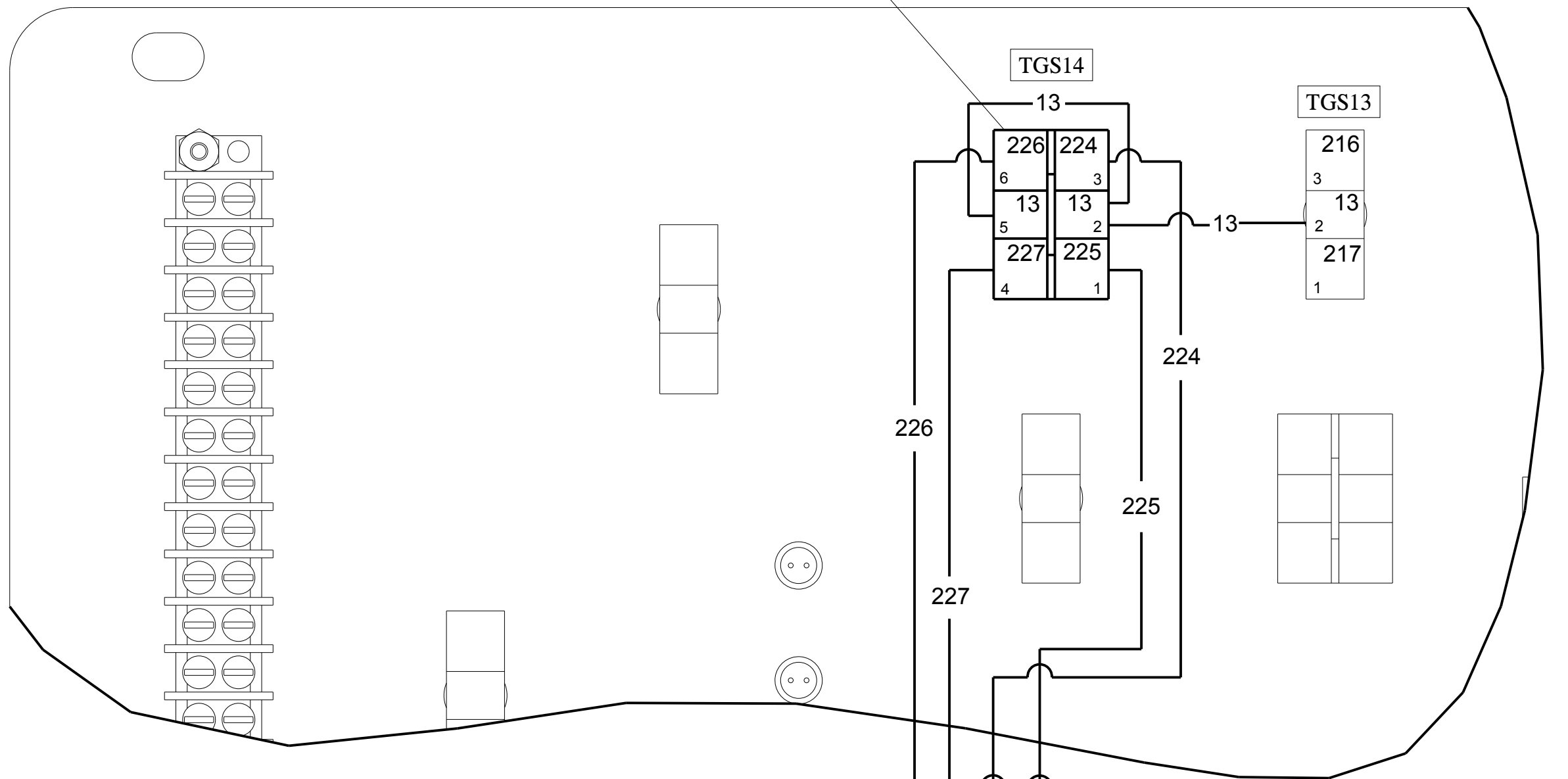
COMPONENT ADD	COMPONENT SUBTRACT	PANEL MOD	WIRE ADD	WIRE SUBTRACT
X			X	

COMPONENT ADD

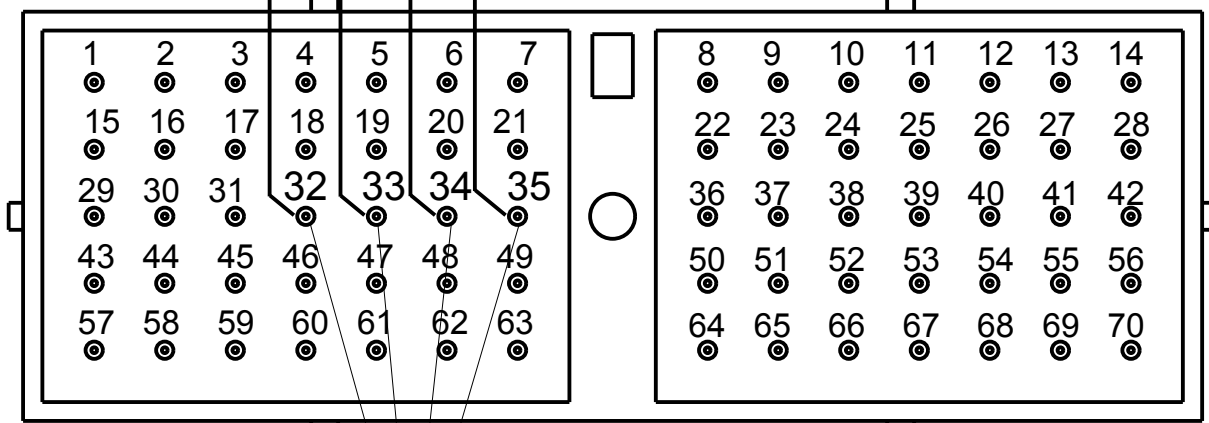
ITEM NO.	PART NUMBER	QTY.	PART DESCRIPTION	VENDOR P/N	DESIGNATION
7	5125579	1	SWITCH, TOGGLE		TGS14
127	5166797	4	PIN, 16 GA		



PANEL UP



PANEL DOWN



P300
SOCKET INSIDE INSERT VIEW

CUSTOMARY:				THIRD ANGLE PROJECTION	
ALL DIMENSIONS IN INCHES		PRODUCT: M7			
IMPLIED TOLERANCES		DESCRIPTION: ASSY, OVERHEAD CONSOLE			
FRACTION	± 1/8	SIZE	SCALE	DRAWING CODE NUMBER	REV.
X	± .06	D	.500	96800010	G
XX	± .03				
XXX	± .010				

SEE LAST SHEET	SWA 09-09-13	601104	MACHINE FINISH UNLESS OTHERWISE STATED	PLANE ANGLES 45°-1°
REV. CHANGE	DRAWN BY: DATE:	E.C.O.#	ASSEMBLY:-	SHEET 5 OF 19

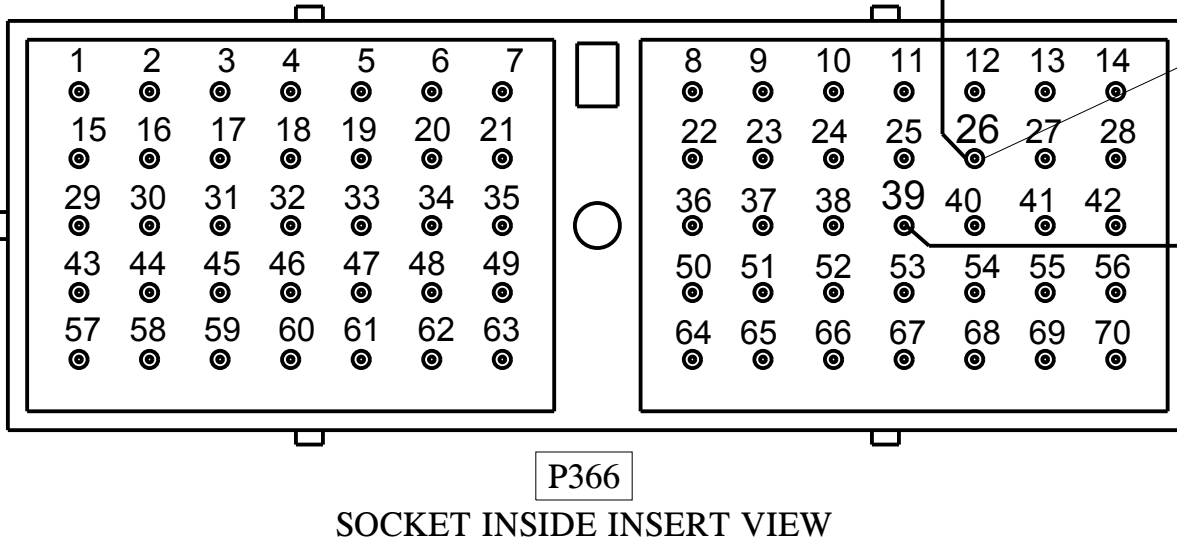
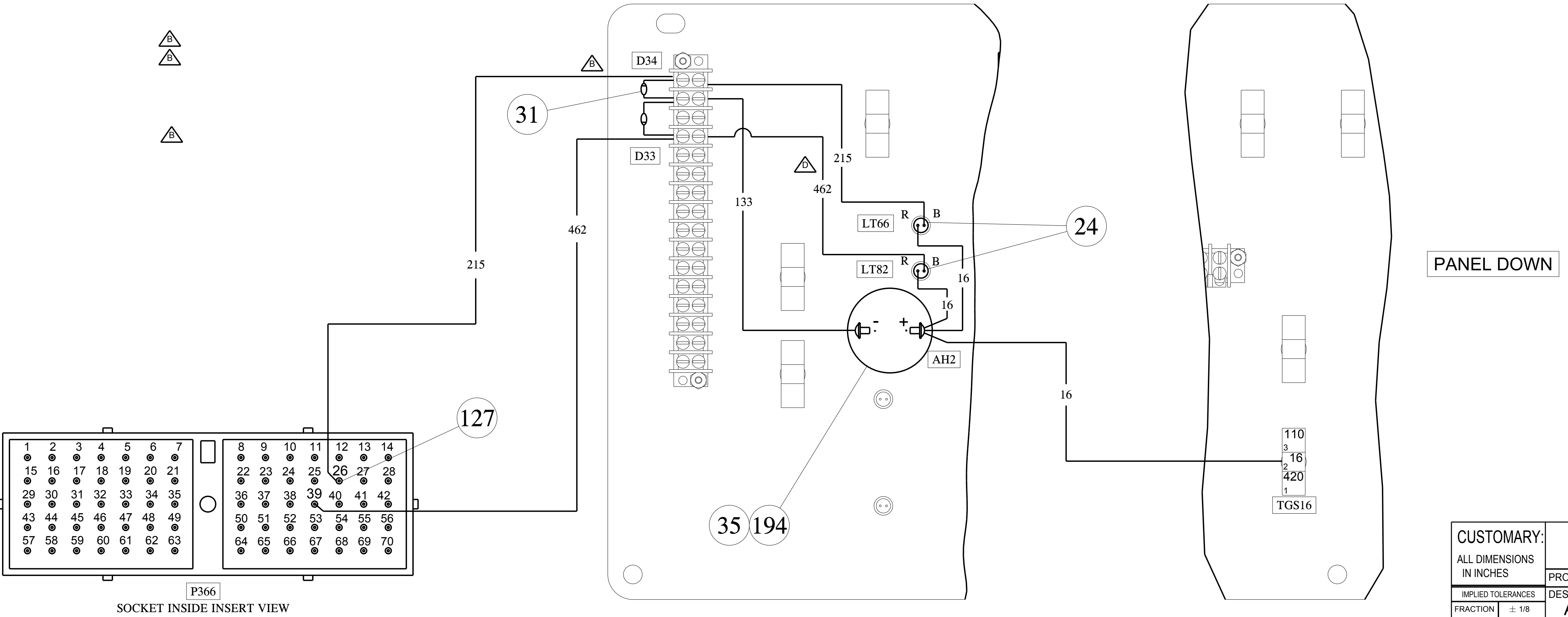
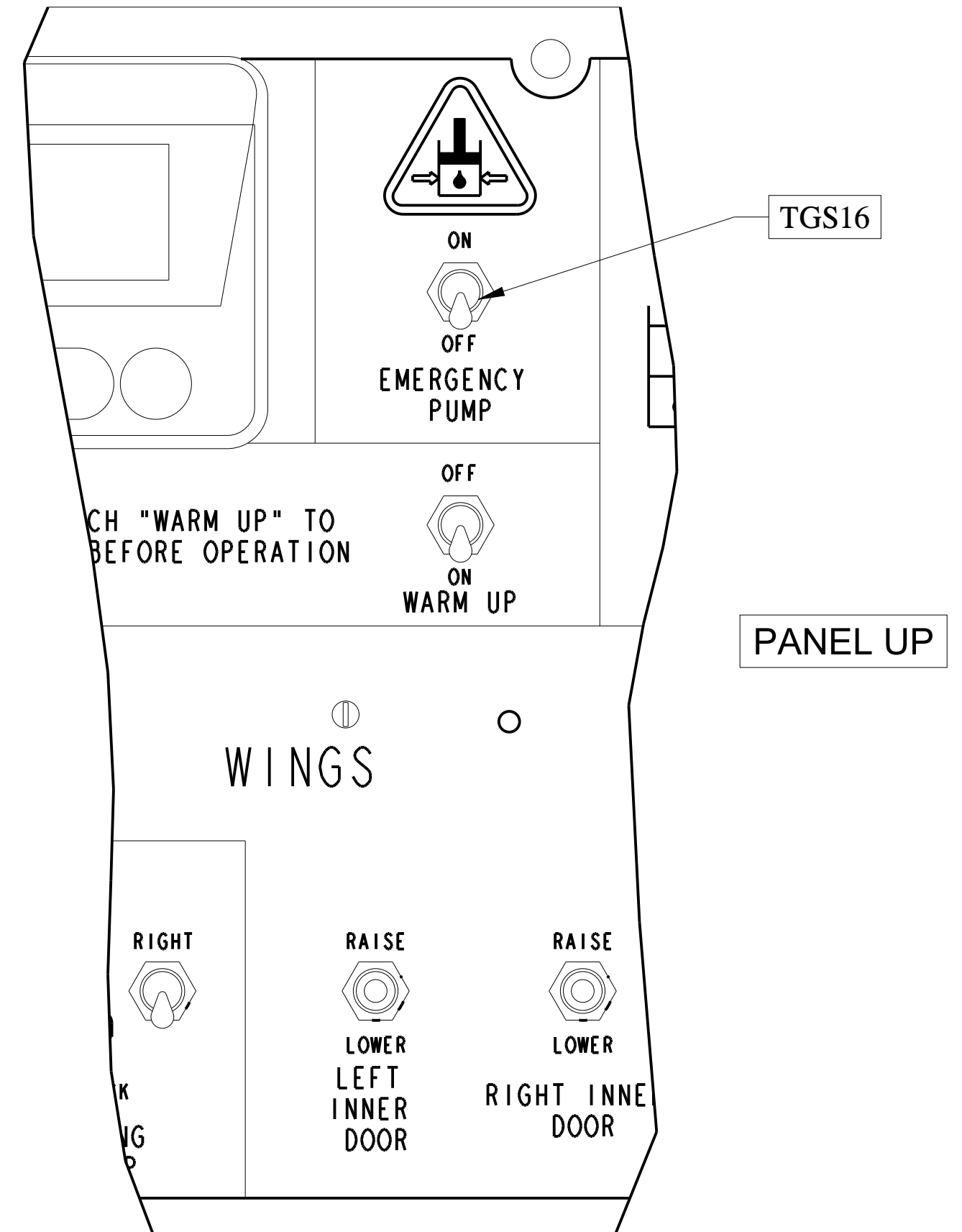
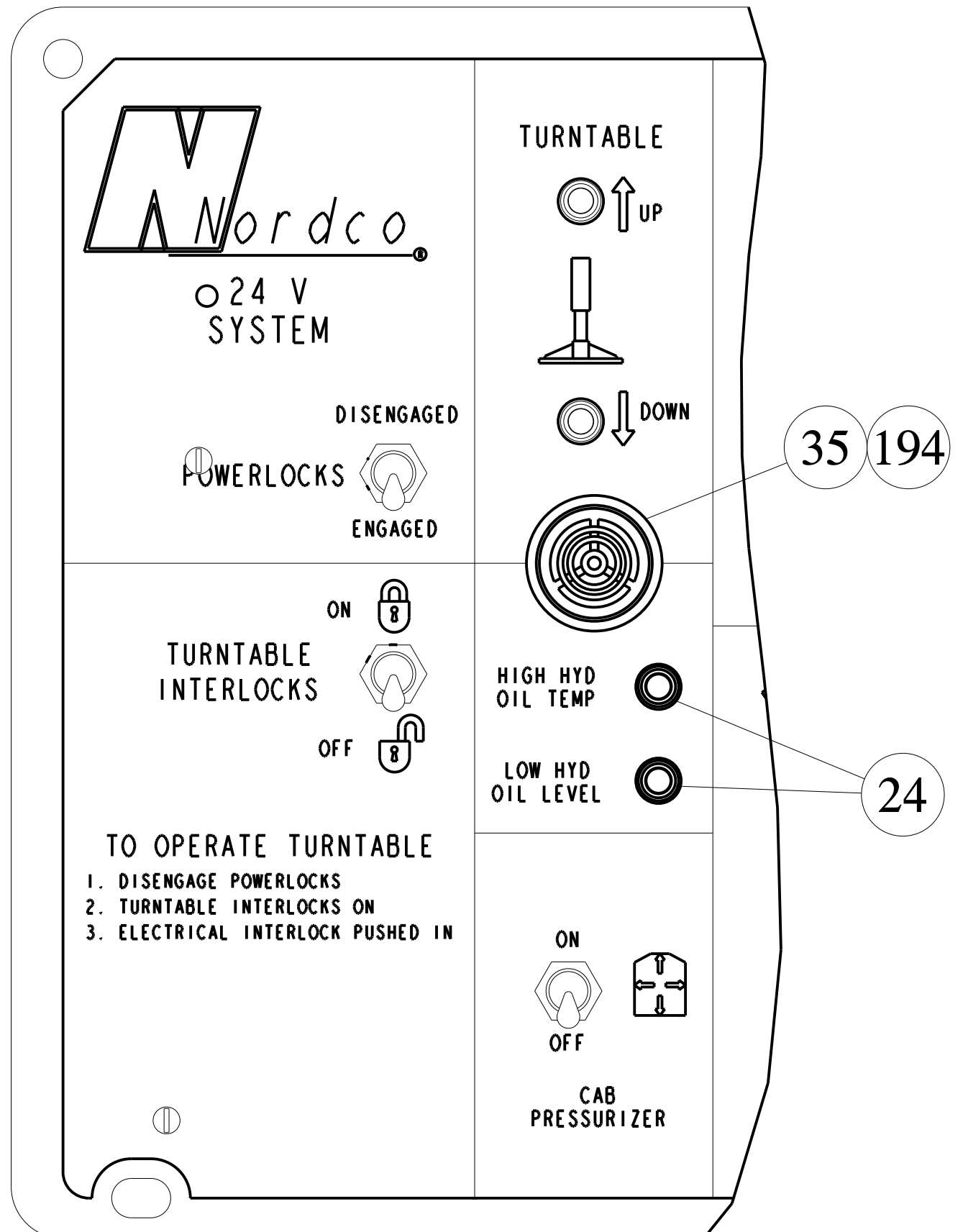
OPTION M02

HYD OIL LEVEL / TEMP WARNING

PURPOSE: RED LIGHT AND BUZZER ACTIVATE WHEN HYD. OIL LEVEL IS TOO LOW OR HYD OIL TEMP. IS TOO HIGH.

MOD NEEDS				
COMPONENT ADD	COMPONENT SUBTRACT	PANEL MOD	WIRE ADD	WIRE SUBTRACT
X			X	

COMPONENT ADD					
ITEM NO.	PART NUMBER	QTY.	PART DESCRIPTION	VENDOR P/N	DESIGNATION
24	5190918	2	LAMP, RED LED		LT66/LT82
31	29680018	2	DIODE, 1N5624		D33,D34
35	31403510	1	ALARM		AH2
127	5166797	2	PIN, 16 GA		
194	680030	1	VOLUME CONTROL		



CUSTOMARY: ALL DIMENSIONS IN INCHES		Nordco		THIRD ANGLE PROJECTION	
IMPLIED TOLERANCES		PRODUCT: M7			
FRACTION	± 1/8	DESCRIPTION: ASSY, OVERHEAD CONSOLE			
X	± .06				
XX	± .03				
XXX	± .010				
SIZE	SCALE	DRAWING CODE NUMBER		REV	
D .500		96800010		G	
SEE LAST SHEET		SWA 09-09-13	601104		
REV	CHANGE	DRAWN BY: DATE:	E.C.O.#	PLANE ANGLES 45°-1°	ASSEMBLY:-
				SHEET 6 OF 19	

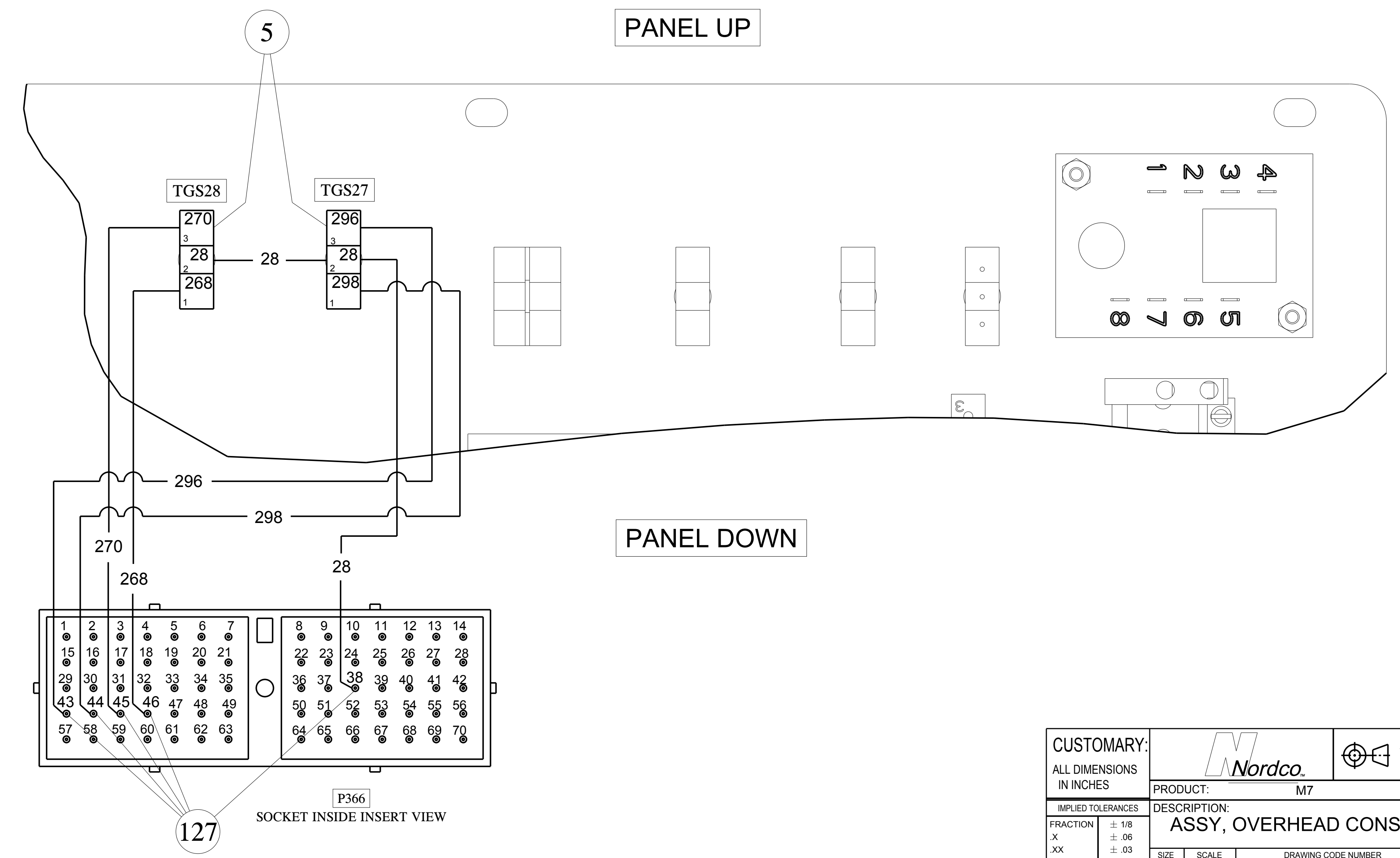
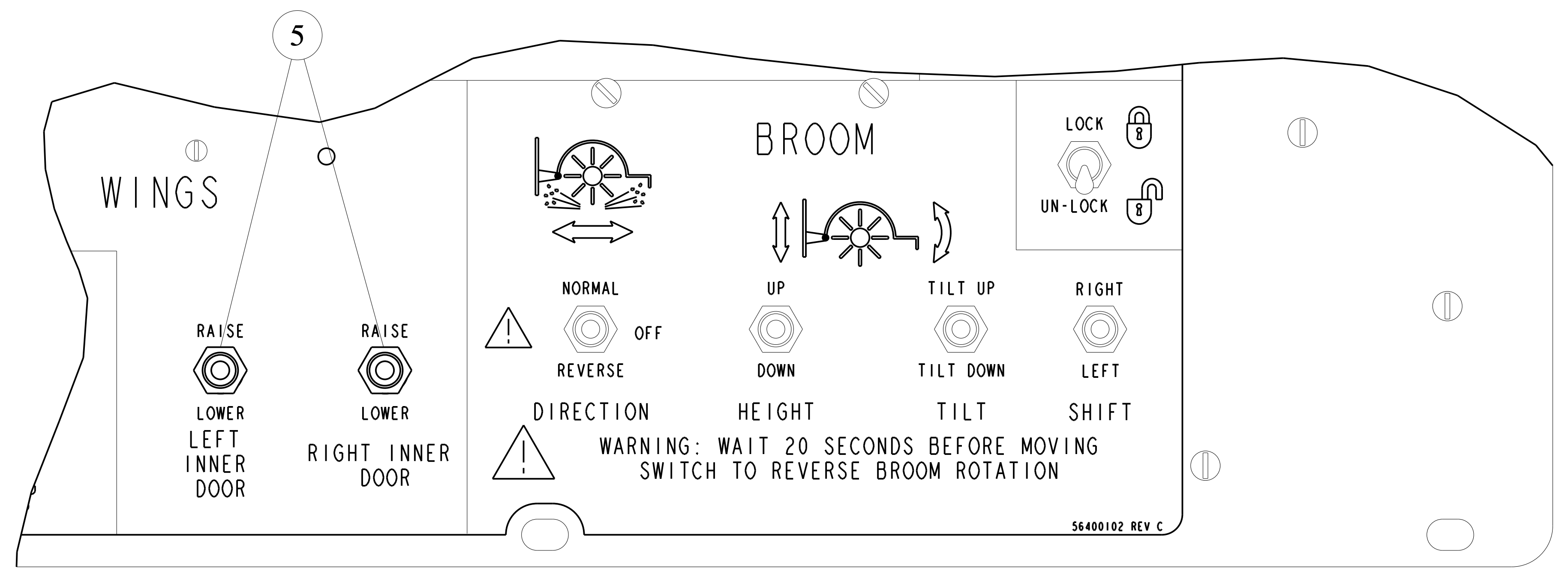
OPTION M03

WING INNER DOORS

PURPOSE: SWITCHES TO OPERATE INNER DOORS ON HD BALLAST WINGS.

MOD NEEDS				
COMPONENT ADD	COMPONENT SUBTRACT	PANEL MOD	WIRE ADD	WIRE SUBTRACT
X			X	

COMPONENT ADD					
ITEM NO.	PART NUMBER	QTY.	PART DESCRIPTION	VENDOR P/N	DESIGNATION
5	5125590	2	SWITCH, TOGGLE		TGS27, TGS28
127	5166797	5	PIN, 16 GA		



CUSTOMARY: ALL DIMENSIONS IN INCHES				THIRD ANGLE PROJECTION	
IMPLIED TOLERANCES		PRODUCT: M7			
DESCRIPTION: ASSY, OVERHEAD CONSOLE		REV			
FRACTION	± 1/8	SIZE	SCALE	DRAWING CODE NUMBER	REV
X	± .06	D	.500	96800010	G
XX	± .03				
XXX	± .010				

SEE LAST SHEET	SWA 09-09-13	601104	MACHINE FINISH UNLESS OTHERWISE STATED	PLANE ANGLES 45-1°	ASSEMBLY:-	SHEET 7 OF 19
REV	CHANGE	DRAWN BY: DATE:	E.C.O.#			

OPTION M04

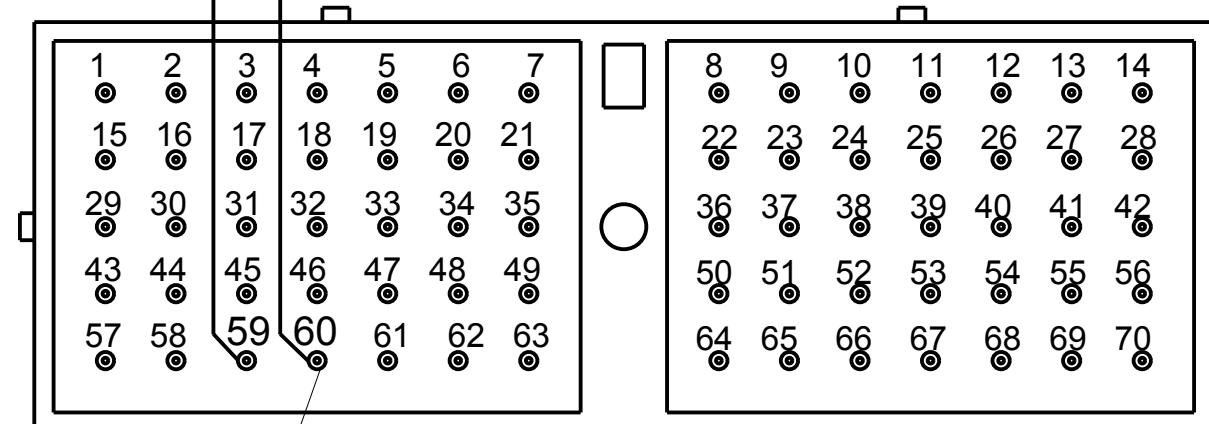
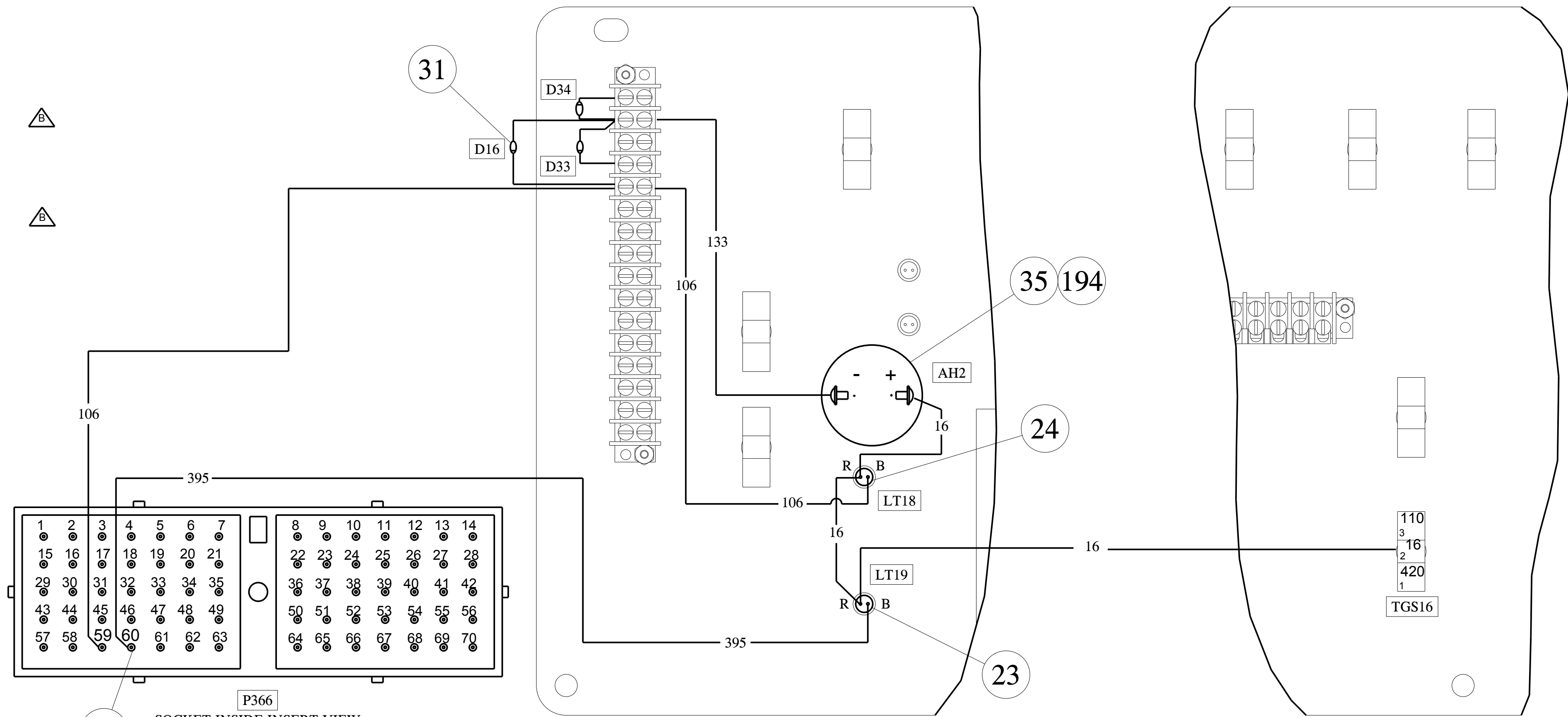
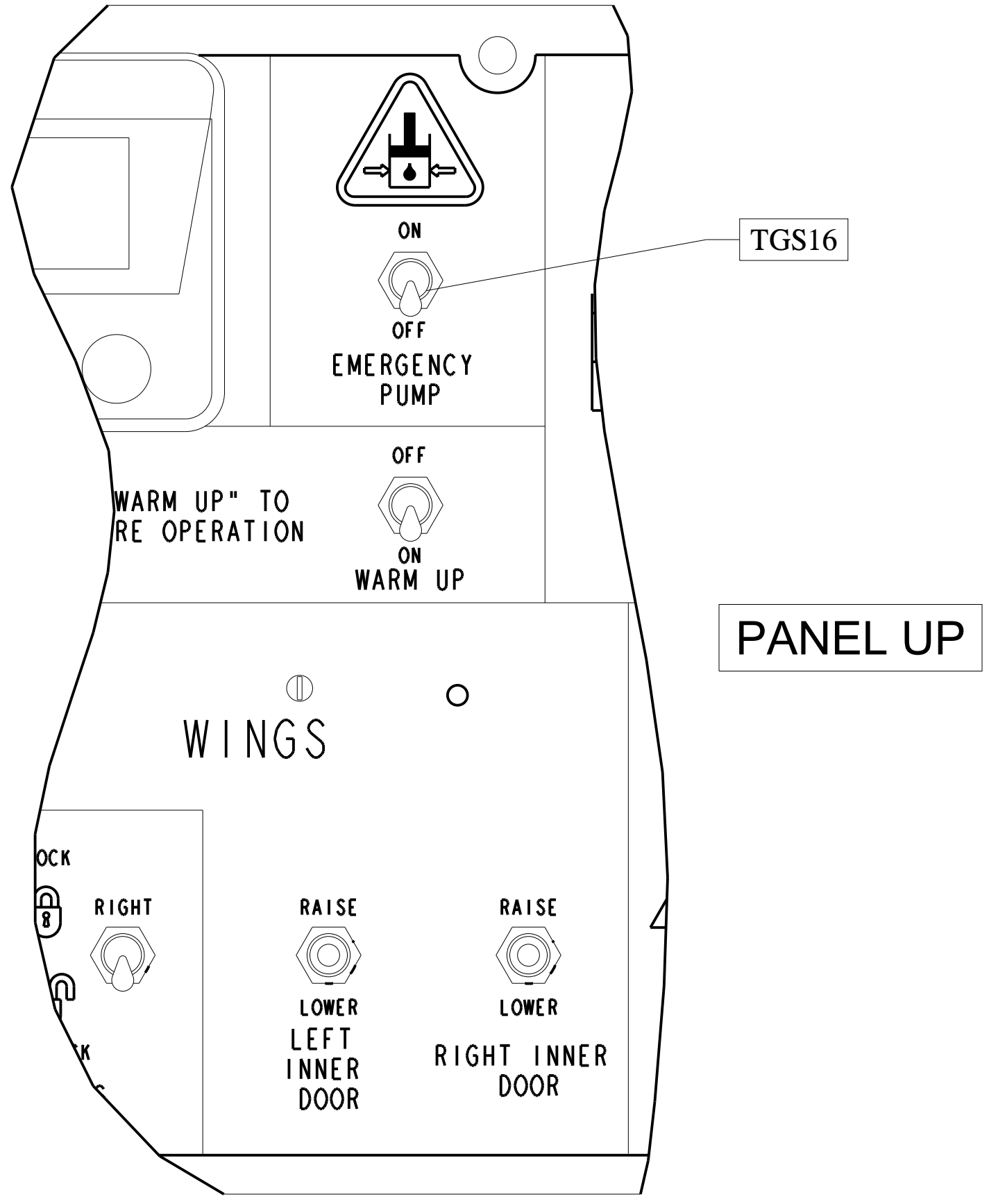
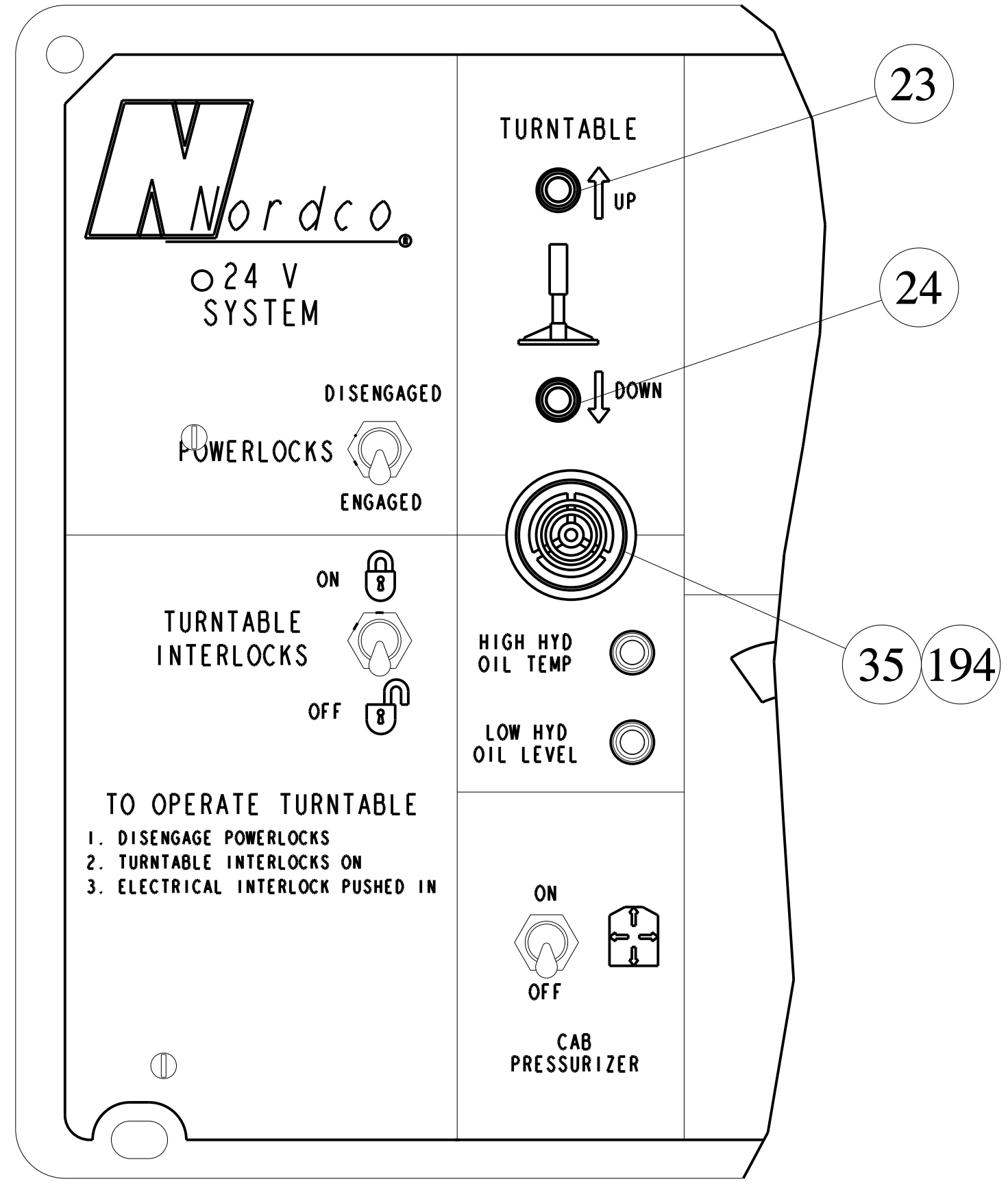
TURNTABLE DOWN WARNING

PURPOSE: RED LIGHT AND BUZZER ACTIVATE WHEN TURNTABLE IS DOWN. GREEN LIGHT ACTIVE WHEN TURNTABLE IS UP.

MOD NEEDS				
COMPONENT ADD	COMPONENT SUBTRACT	PANEL MOD	WIRE ADD	WIRE SUBTRACT
X			X	

MOD NOTE
IF MOD USED WITH MOD M02, ITEM #35 IS NOT REQUIRED

COMPONENT ADD					
ITEM NO.	PART NUMBER	QTY.	PART DESCRIPTION	VENDOR P/N	DESIGNATION
23	5190921	1	LAMP, GREEN LED		LT19
24	5190918	1	LAMP, RED LED		LT18
31	29680018	1	DIODE, 1N5624		D16
35	31403510	1	ALARM		AH2
127	5166797	3	PIN, 16 GA		
194	680030	1	VOLUME CONTROL		



127 SOCKET INSIDE INSERT VIEW

CUSTOMARY:					
ALL DIMENSIONS IN INCHES		PRODUCT: M7			
IMPLIED TOLERANCES		DESCRIPTION: ASSY, OVERHEAD CONSOLE			
FRACTION	± 1/8	SIZE	SCALE	DRAWING CODE NUMBER	REV.
X	± .06	D	.500	96800010	G
XX	± .03				
XXX	± .010				
MACHINE FINISH UNLESS OTHERWISE STATED		DATE: 09-09-13		E.C.O.# 601104	
SEE LAST SHEET		DRAWN BY: SWA		PLANE ANGLES 45-1°	
CHANGE		DATE:		ASSEMBLY:-	
				SHEET 8 OF 19	

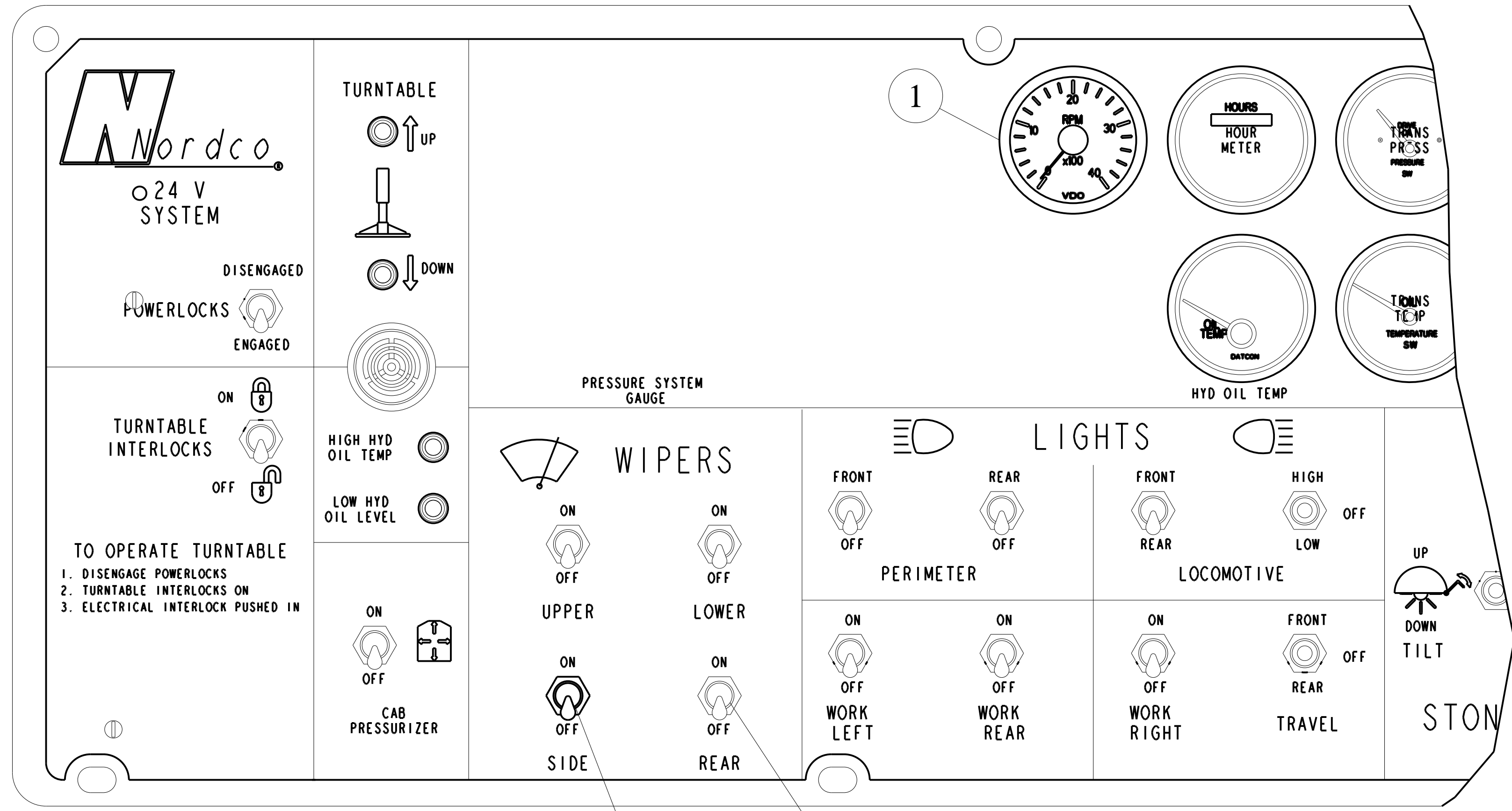
OPTION M05

TACHOMETER GAUGE

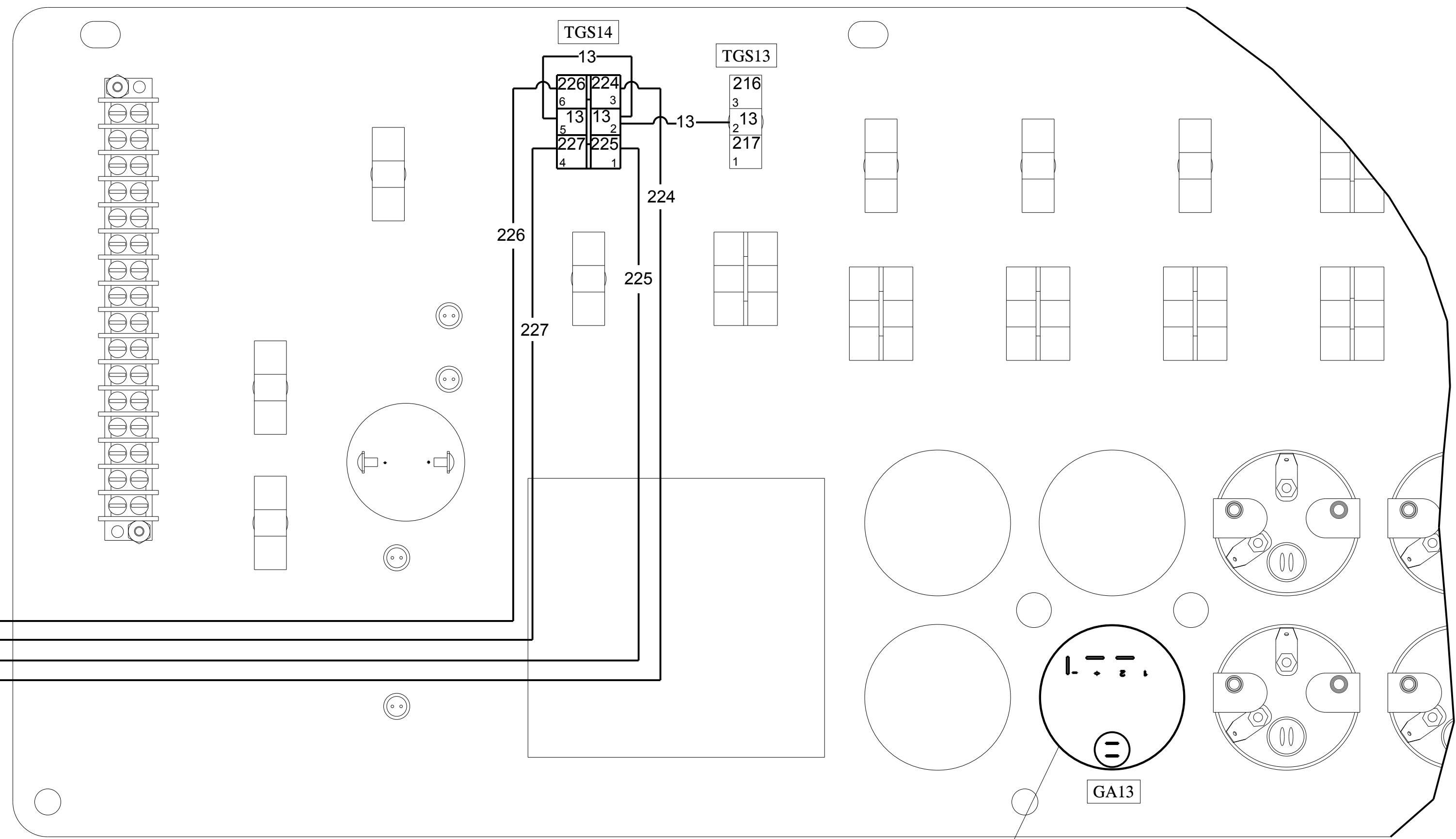
PURPOSE: ELECTRONIC 4" TACHOMETER GAUGE, IN ADDITION TO MURPHYLINK.

MOD NEEDS				
COMPONENT ADD	COMPONENT SUBTRACT	PANEL MOD	WIRE ADD	WIRE SUBTRACT
X			X	

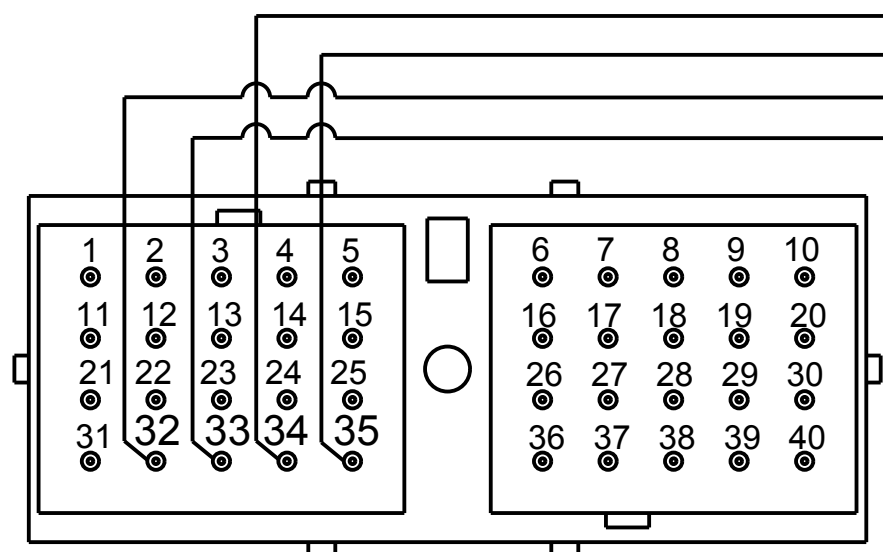
COMPONENT ADD					
ITEM NO.	PART NUMBER	QTY.	PART DESCRIPTION	VENDOR P/N	DESIGNATION
1	7085941	1	TACHOMETER, 24V		GA13



PANEL UP



PANEL DOWN



P300 SOCKET INSIDE INSERT VIEW

CUSTOMARY:				THIRD ANGLE PROJECTION	
ALL DIMENSIONS IN INCHES		PRODUCT: M7			
IMPLIED TOLERANCES		DESCRIPTION: ASSY, OVERHEAD CONSOLE			
FRACTION	± 1/8	SIZE	SCALE	DRAWING CODE NUMBER	REV.
X	± .06	D	.500	96800010	G
XX	± .03				
XXX	± .010				

SEE LAST SHEET	SWA 09-09-13	601104	MACHINE FINISH UNLESS OTHERWISE STATED	PLANE ANGLES 45°-90°
CHANGE	DRAWN BY: DATE:	E.C.O.#	ASSEMBLY:-	SHEET 9 OF 19

OPTION M06

PERIMETER LIGHTING

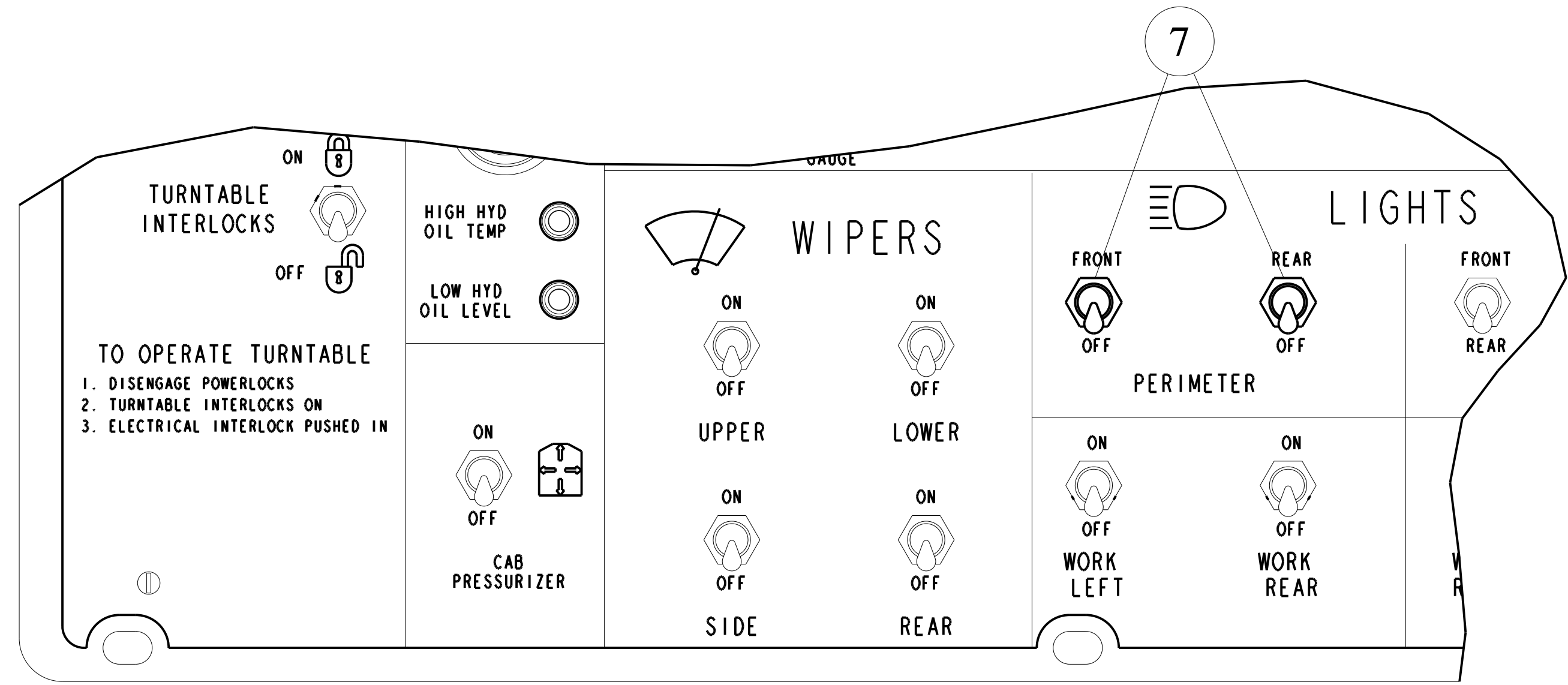
PURPOSE: TO PROVIDE FLOOD LIGHTING AROUND MACHINE.

MOD NEEDS

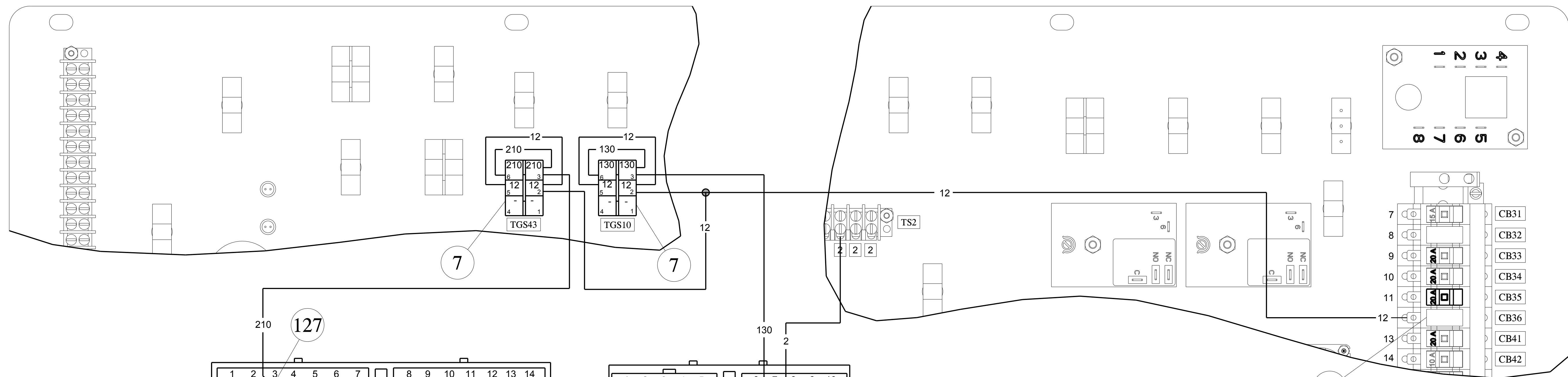
COMPONENT ADD	COMPONENT SUBTRACT	PANEL MOD	WIRE ADD	WIRE SUBTRACT
X			X	

COMPONENT ADD

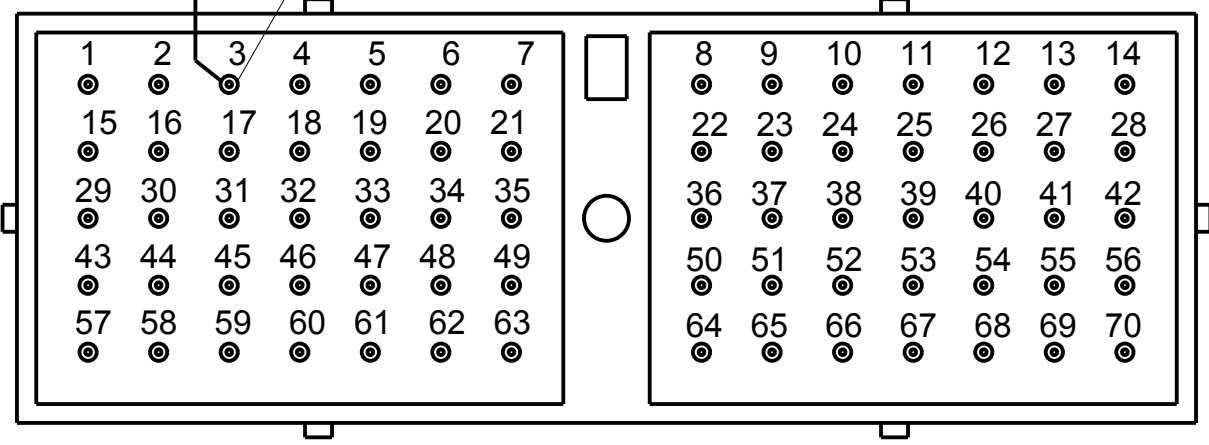
ITEM NO.	PART NUMBER	QTY.	PART DESCRIPTION	VENDOR P/N	DESIGNATION
7	5125579	2	SWITCH, TOGGLE		TGS10, 43
38	5128937	1	CIRCUIT BREAKER 20A		CB36
127	5166797	3	PIN, 16 GA		



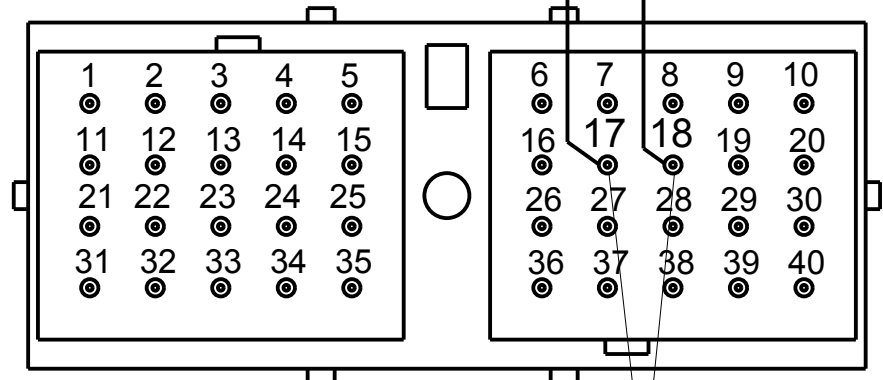
PANEL UP



PANEL DOWN



P366 SOCKET INSIDE INSERT VIEW



P300 SOCKET INSIDE INSERT VIEW

CUSTOMARY:					
ALL DIMENSIONS IN INCHES		PRODUCT: M7		DESCRIPTION: ASSY, OVERHEAD CONSOLE	
IMPLIED TOLERANCES		SIZE		SCALE	
FRACTION	± 1/8	D .500		DRAWING CODE NUMBER	
X	± .06	96800010		REV	
XX	± .03	ASSEMBLY:-		SHEET 10 OF 19	
XXX	± .010				

SEE LAST SHEET	SWA 09-09-13	601104
CHANGE	DRAWN BY: DATE:	E.C.O.#

PLANE ANGLES W/ F°	ASSEMBLY:-	SHEET 10 OF 19
--------------------	------------	----------------

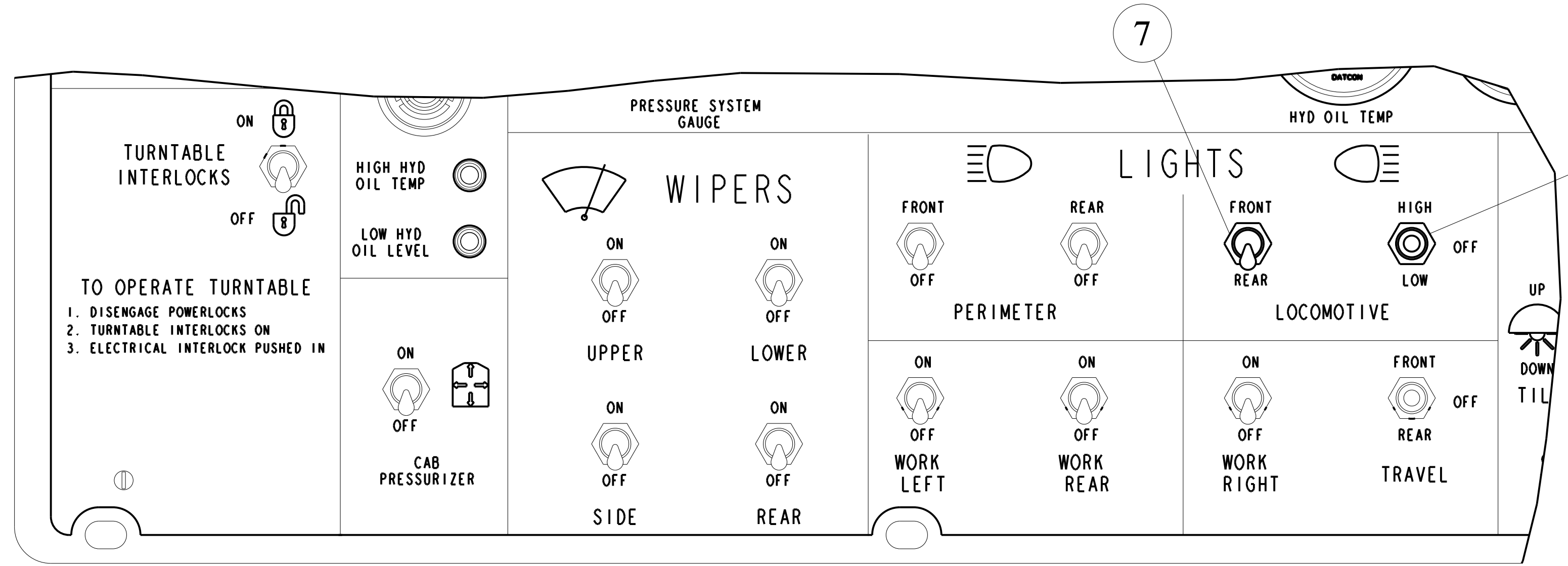
OPTION M07

LOCOMOTIVE LIGHTS

PURPOSE: ADDITIONAL HIGH INTENSITY FRONT AND REAR LIGHTS FOR VISIBILITY.

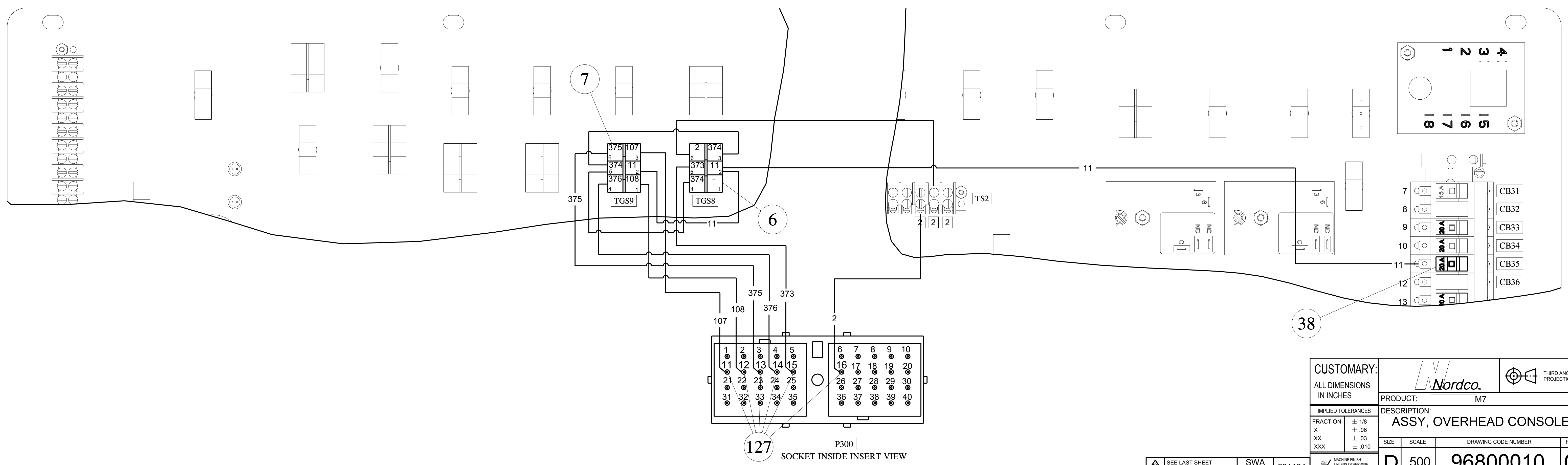
MOD NEEDS				
COMPONENT ADD	COMPONENT SUBTRACT	PANEL MOD	WIRE ADD	WIRE SUBTRACT
X			X	

COMPONENT ADD					
ITEM NO.	PART NUMBER	QTY.	PART DESCRIPTION	VENDOR P/N	DESIGNATION
6	5125586	1	SWITCH, TOGGLE		TGS8
7	5125579	1	SWITCH, TOGGLE		TGS9
38	5128937	1	CIRCUIT BREAKER 20A		CB35
127	5166797	6	PIN, 16 GA		



PANEL UP

PANEL DOWN



CUSTOMARY:					
ALL DIMENSIONS IN INCHES		PRODUCT: M7			
IMPLIED TOLERANCES		DESCRIPTION: ASSY, OVERHEAD CONSOLE			
FRACTION	± 1/8	SIZE	SCALE	DRAWING CODE NUMBER	REV.
X	± .06	D	.500	96800010	G
XX	± .03				
XXX	± .010				
MACHINE FINISH UNLESS OTHERWISE STATED		PLANE ANGLES 45-1°		ASSEMBLY:-	

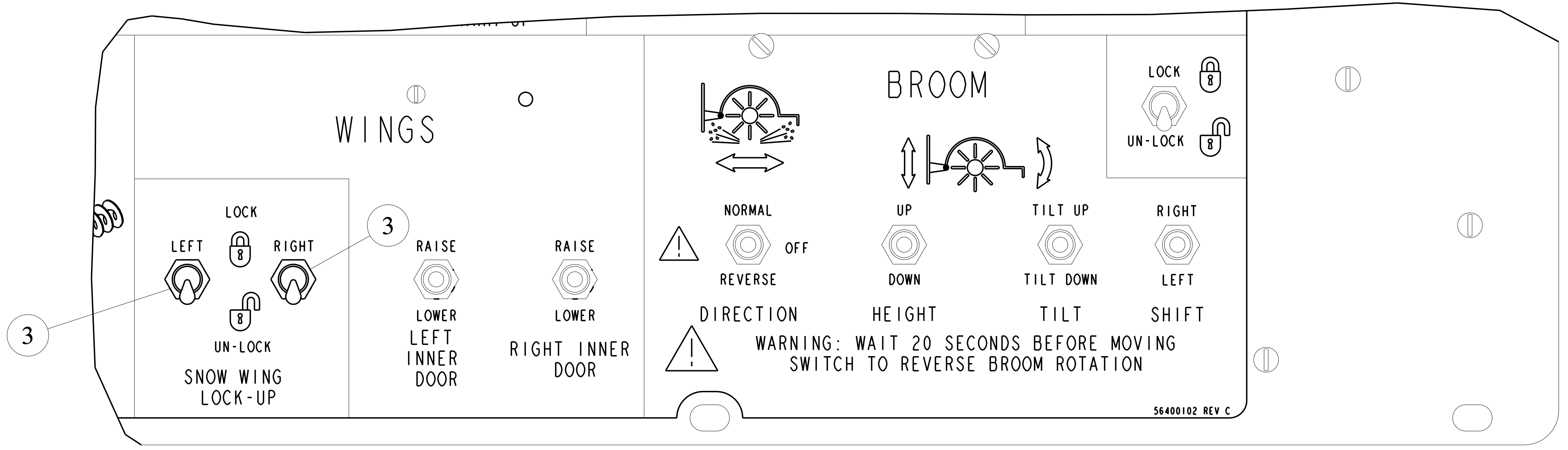
OPTION M09

SNOW WING LOCK-UP

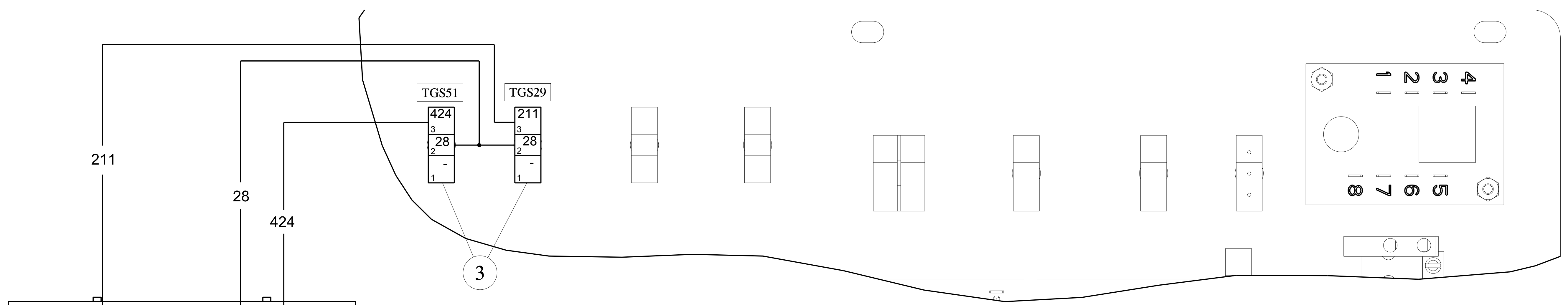
PURPOSE: SWITCH FOR SNOW WING STORAGE LOCK PINS.

MOD NEEDS				
COMPONENT ADD	COMPONENT SUBTRACT	PANEL MOD	WIRE ADD	WIRE SUBTRACT
X			X	

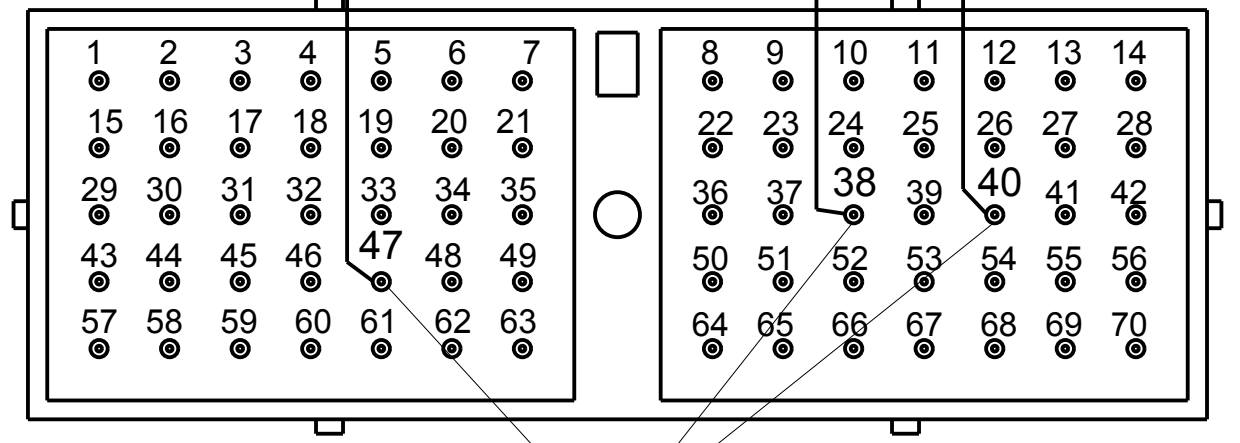
COMPONENT ADD					
ITEM NO.	PART NUMBER	QTY.	PART DESCRIPTION	VENDOR P/N	DESIGNATION
3	5125587	2	SWITCH, TOGGLE		TGS29, TGS51
127	5166797	3	PIN, 16 GA		



PANEL UP



PANEL DOWN



CUSTOMARY: ALL DIMENSIONS IN INCHES IMPLIED TOLERANCES FRACTION ± 1/8 X ± .06 XX ± .03 XXX ± .010			PRODUCT: M7
			DESCRIPTION: ASSY, OVERHEAD CONSOLE
SIZE: D .500	SCALE:	DRAWING CODE NUMBER: 96800010	REV: G
SEE LAST SHEET	SWA 09-09-13	601104	SHEET 12 OF 19

REV	CHANGE	DRAWN BY:	E.C.O.#	PLANE ANGLES 90°-1°
		DATE:		

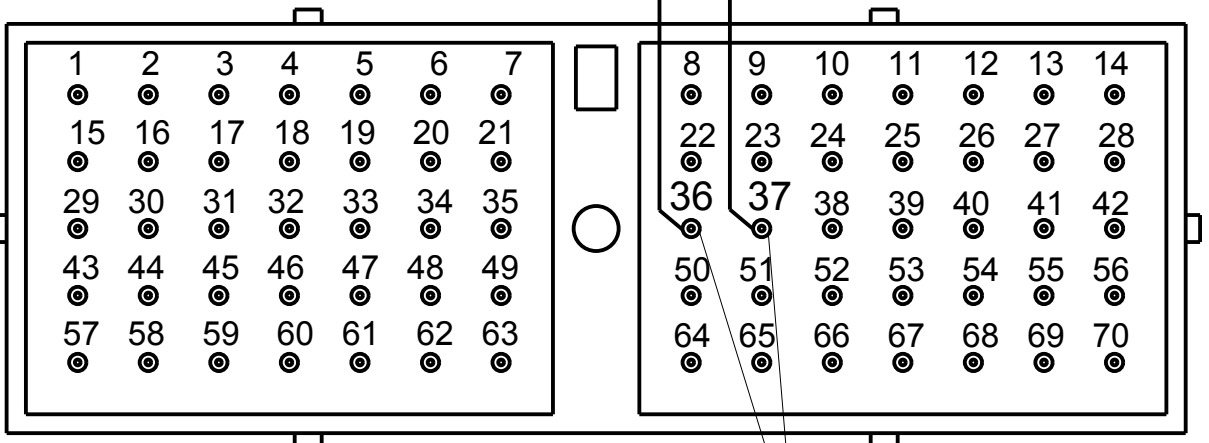
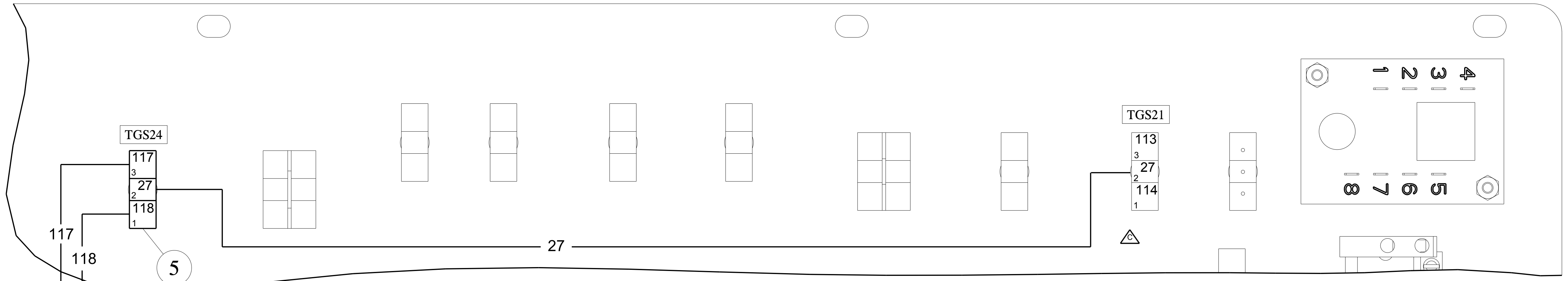
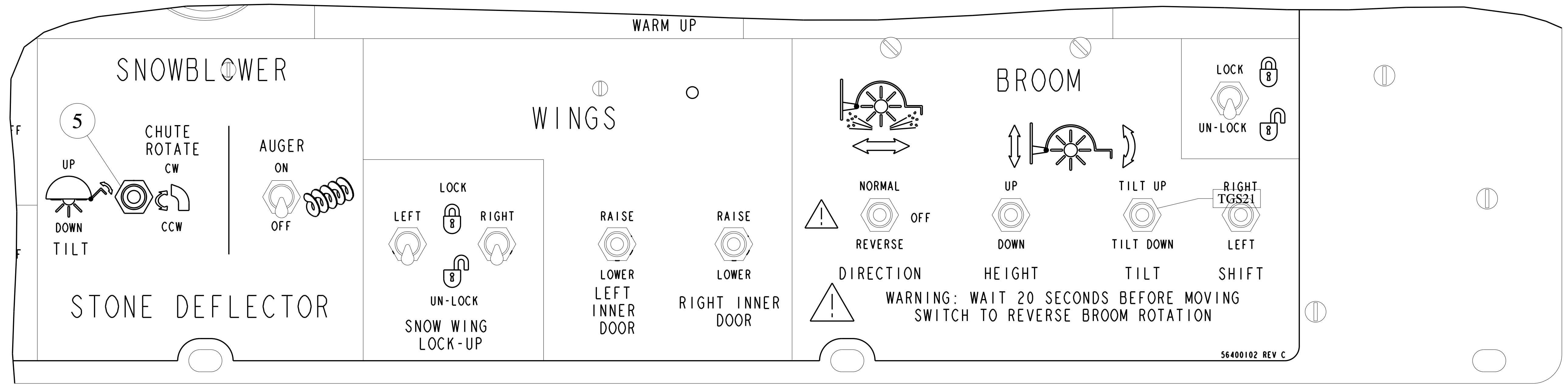
OPTION M10

SNOW CHUTE ROTATE / TILTABLE STONE DEFLECTOR

PURPOSE: MOMENTARY SWITCH FOR OPERATING SNOW CHUTE DIRECTION OR TILT OF STONE DEFLECTOR.

MOD NEEDS				
COMPONENT ADD	COMPONENT SUBTRACT	PANEL MOD	WIRE ADD	WIRE SUBTRACT
X			X	

COMPONENT ADD					
ITEM NO.	PART NUMBER	QTY.	PART DESCRIPTION	VENDOR P/N	DESIGNATION
5	5125590	1	SWITCH, TOGGLE		TGS24
127	5166797	2	PIN, 16 GA		



P366 SOCKET INSIDE INSERT VIEW

127

CUSTOMARY: ALL DIMENSIONS IN INCHES				THIRD ANGLE PROJECTION	
IMPLIED TOLERANCES		PRODUCT: M7			
FRACTION	± 1/8	DESCRIPTION: ASSY, OVERHEAD CONSOLE			
X	± .06	SIZE	SCALE	DRAWING CODE NUMBER	REV
XX	± .03	D	.500	96800010	G
XXX	± .010	ASSEMBLY:-		SHEET 13 OF 19	

SEE LAST SHEET	SWA 09-09-13	601104
CHANGE	DRAWN BY: DATE:	E.C.O.#

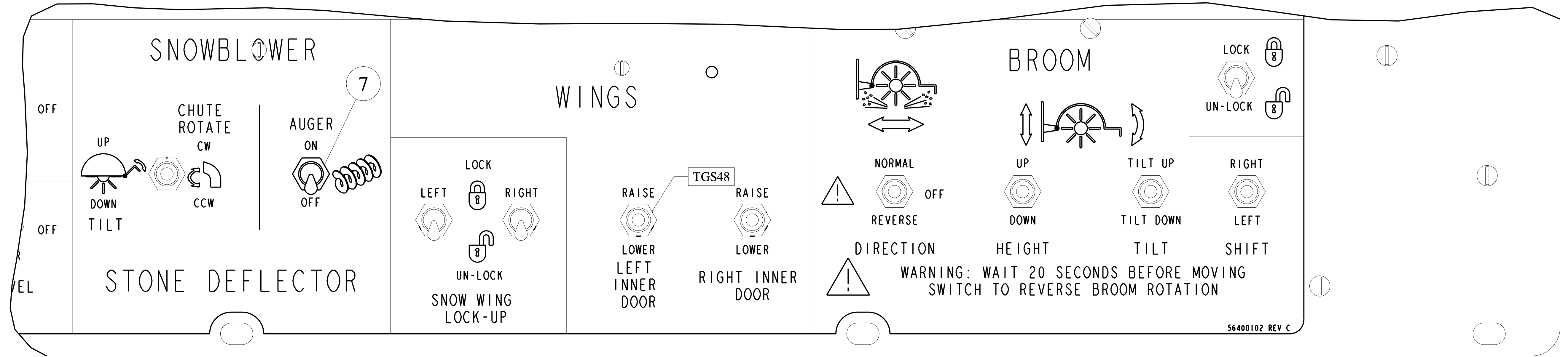
OPTION M11

SNOW AUGER

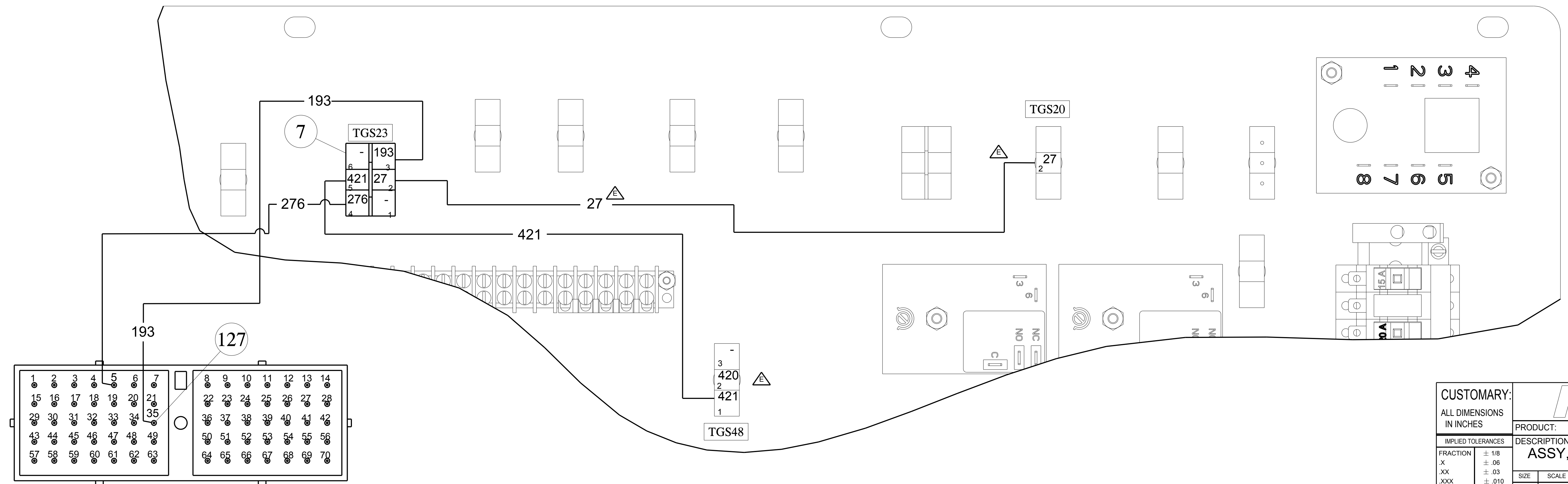
PURPOSE: ON-OFF SWITCH FOR OPERATING SNOW AUGER.

MOD NEEDS				
COMPONENT ADD	COMPONENT SUBTRACT	PANEL MOD	WIRE ADD	WIRE SUBTRACT
X			X	

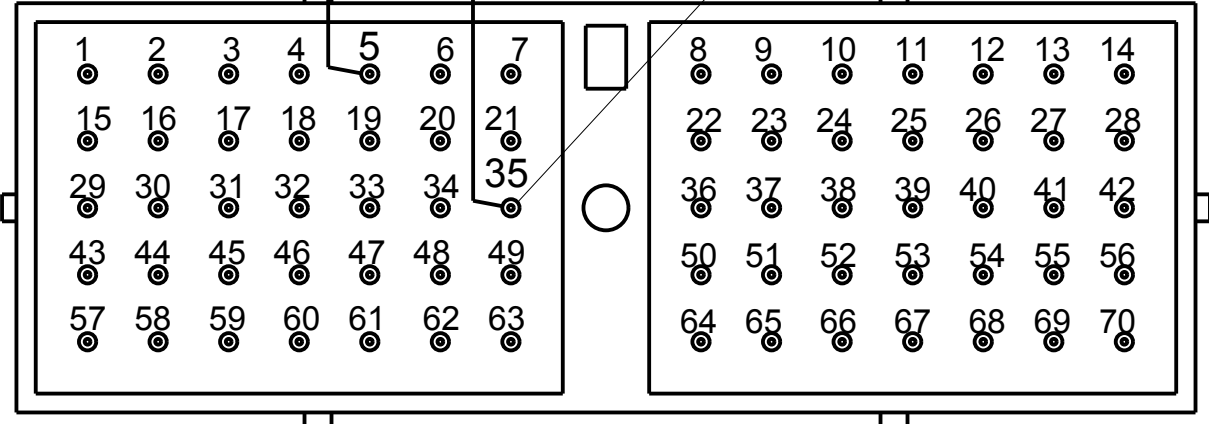
COMPONENT ADD					
ITEM NO.	PART NUMBER	QTY.	PART DESCRIPTION	VENDOR P/N	DESIGNATION
7	5125579	1	SWITCH, TOGGLE		TGS23
127	5166797	2	PIN, 16 GA		



PANEL UP



PANEL DOWN



CUSTOMARY:		Nordco		THIRD ANGLE PROJECTION	
ALL DIMENSIONS IN INCHES		PRODUCT: M7			
IMPLIED TOLERANCES		DESCRIPTION: ASSY, OVERHEAD CONSOLE			
FRACTION	± 1/8	SIZE	SCALE	DRAWING CODE NUMBER	REV
X	± .06	D	.500	96800010	G
XX	± .03				
XXX	± .010				

SEE LAST SHEET	SWA 09-09-13	601104	MACHINE FINISH UNLESS OTHERWISE STATED	PLANE ANGLES 45°-1°	ASSEMBLY:-	SHEET 14 OF 19
REV	CHANGE	DRAWN BY: DATE:	E.C.O.#			

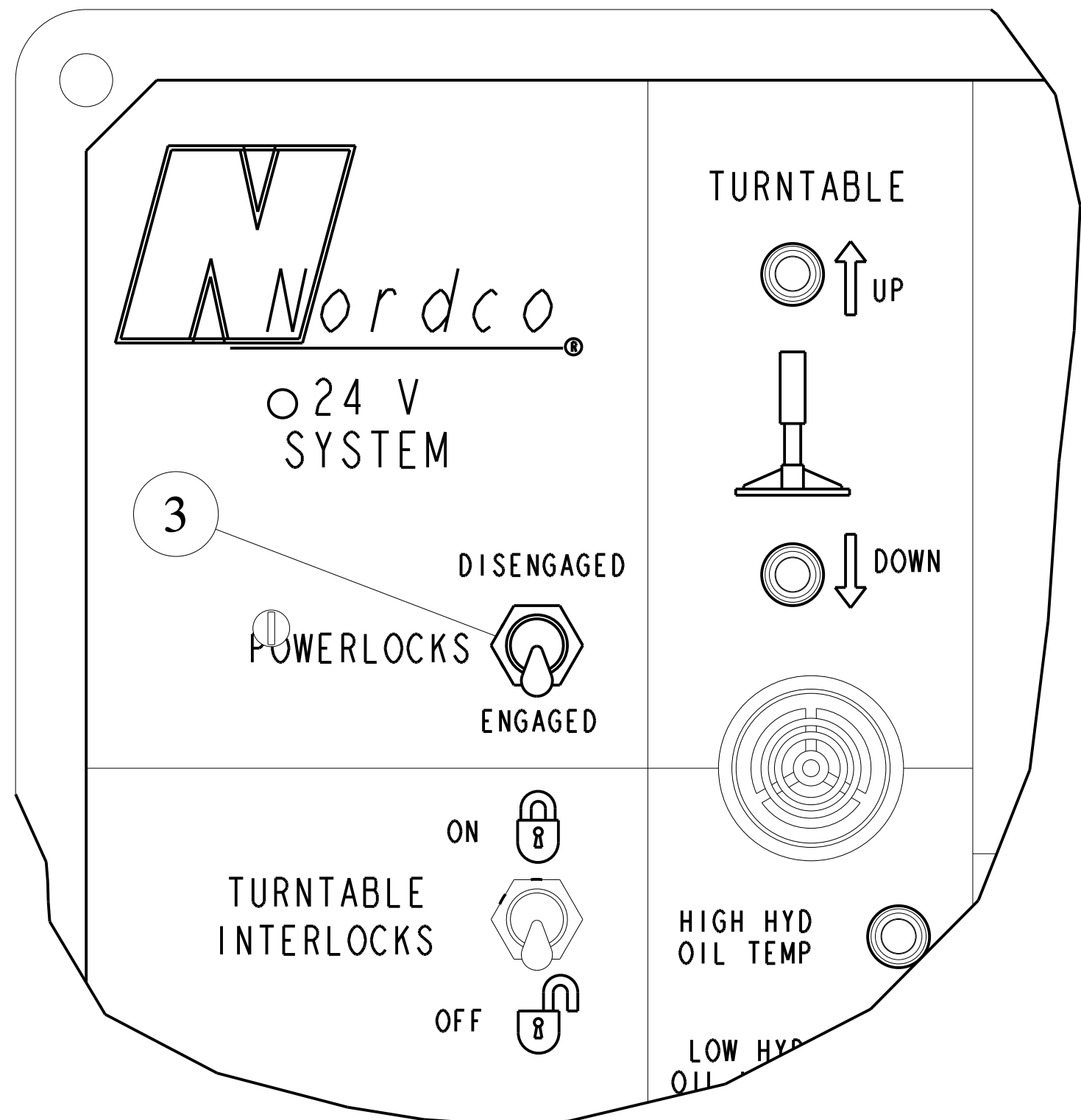
OPTION M12

TURNTABLE INTERLOCK

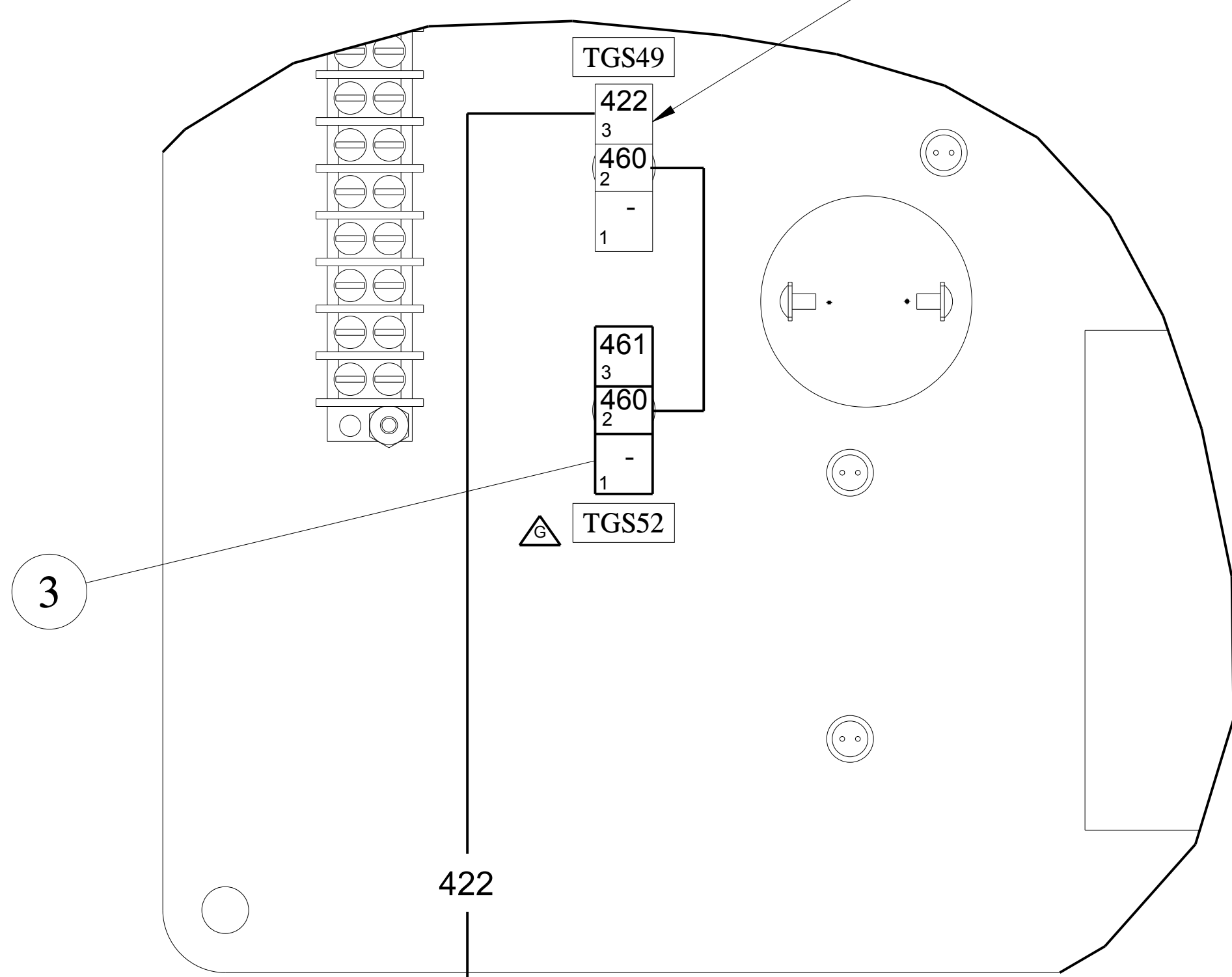
PURPOSE: ON - OFF SWITCH TO RESTRICT OPERATING THE TURNTABLE.

MOD NEEDS				
COMPONENT ADD	COMPONENT SUBTRACT	PANEL MOD	WIRE ADD	WIRE SUBTRACT
X			X	

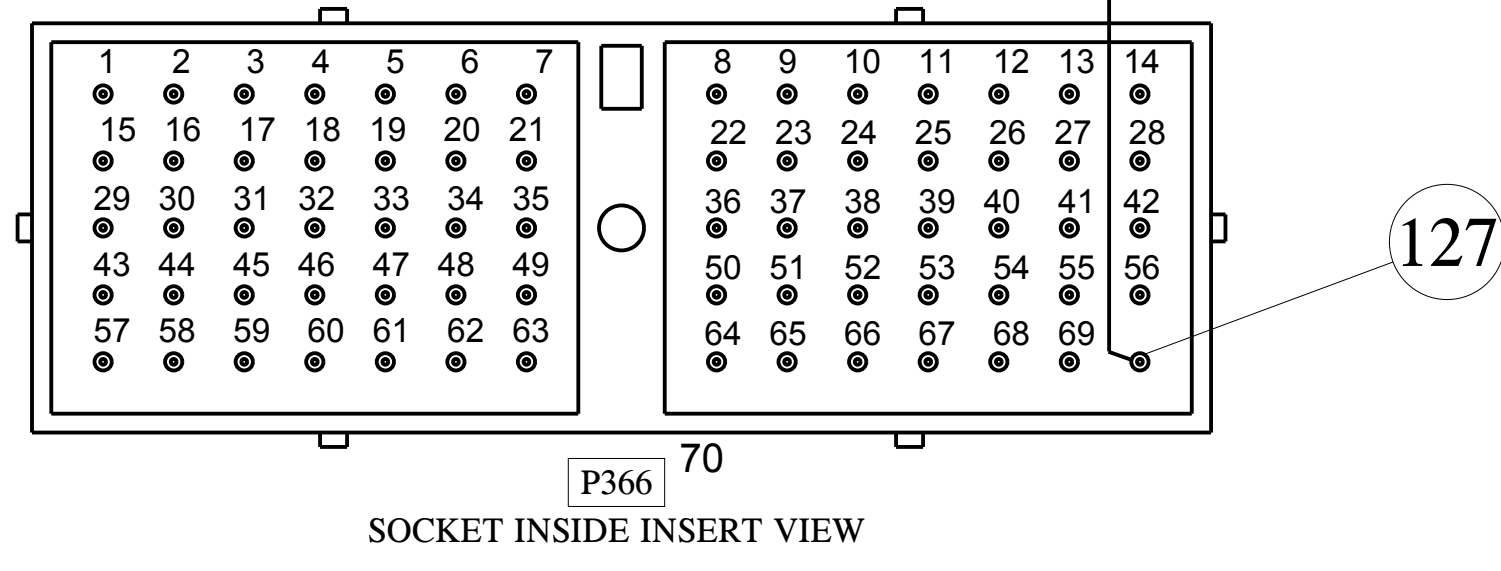
COMPONENT ADD					
ITEM NO.	PART NUMBER	QTY.	PART DESCRIPTION	VENDOR P/N	DESIGNATION
3	5125587	1	SWITCH, TOGGLE		TGS52
127	5166797	1	PIN, 16 GA		



PANEL UP



PANEL DOWN



CUSTOMARY:				THIRD ANGLE PROJECTION	
ALL DIMENSIONS IN INCHES		PRODUCT: M7			
IMPLIED TOLERANCES		DESCRIPTION: ASSY, OVERHEAD CONSOLE			
FRACTION	± 1/8	SIZE	SCALE	DRAWING CODE NUMBER	REV.
X	± .06	D	.500	96800010	G
XX	± .03				
XXX	± .010				
REV.	CHANGE	DRAWN BY: SWA 09-09-13	E.C.O.# 601104	PLANE ANGLES 45°-1°	ASSEMBLY:-
				SHEET 15 OF 19	

SEE LAST SHEET	SWA 09-09-13	601104
DATE:		

OPTION M13

CUMMINS ENGINE DIAGNOSTIC PLUG

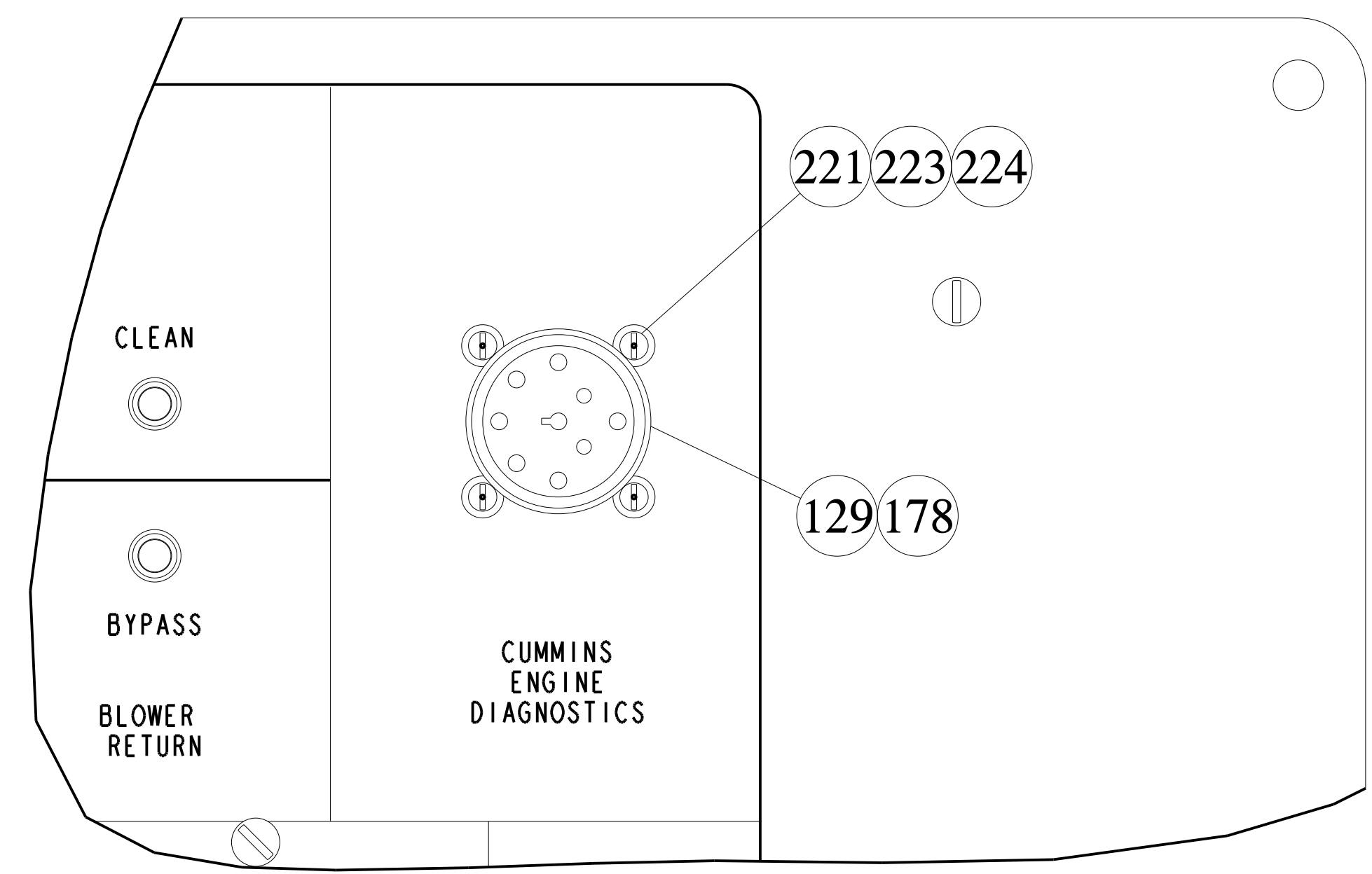
PURPOSE: ALLOWS CUMMINS SERVICE TECHNICIAN TO CONNECT ENGINE TO LAPTOP.

MOD NEEDS

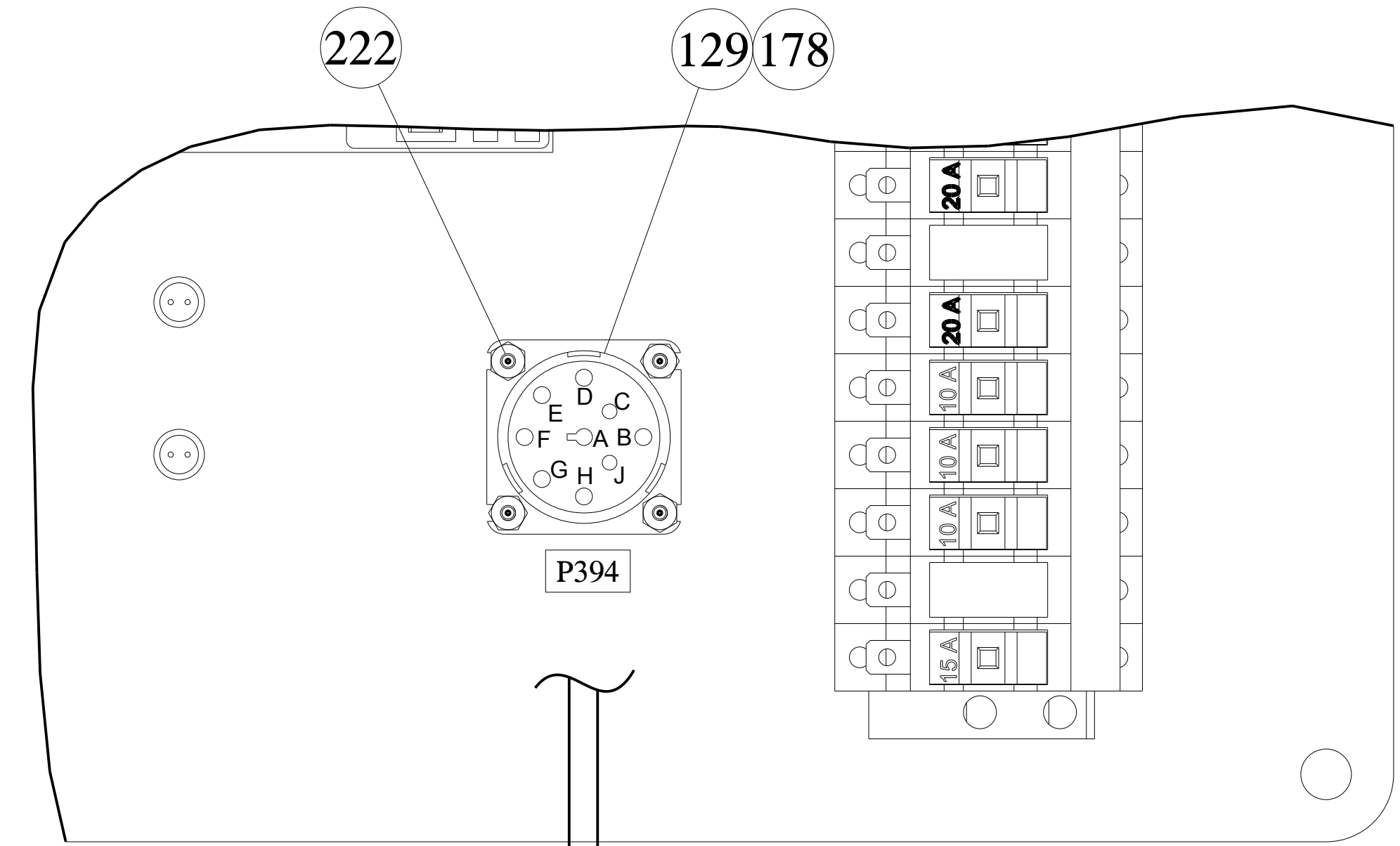
COMPONENT ADD	COMPONENT SUBTRACT	PANEL MOD	WIRE ADD	WIRE SUBTRACT
X			X	

COMPONENT ADD

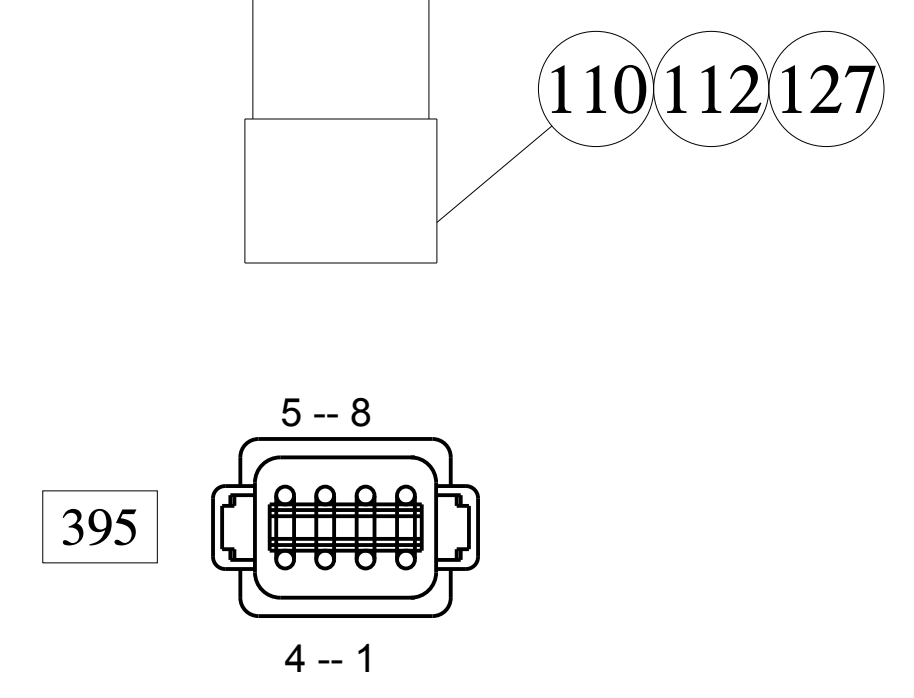
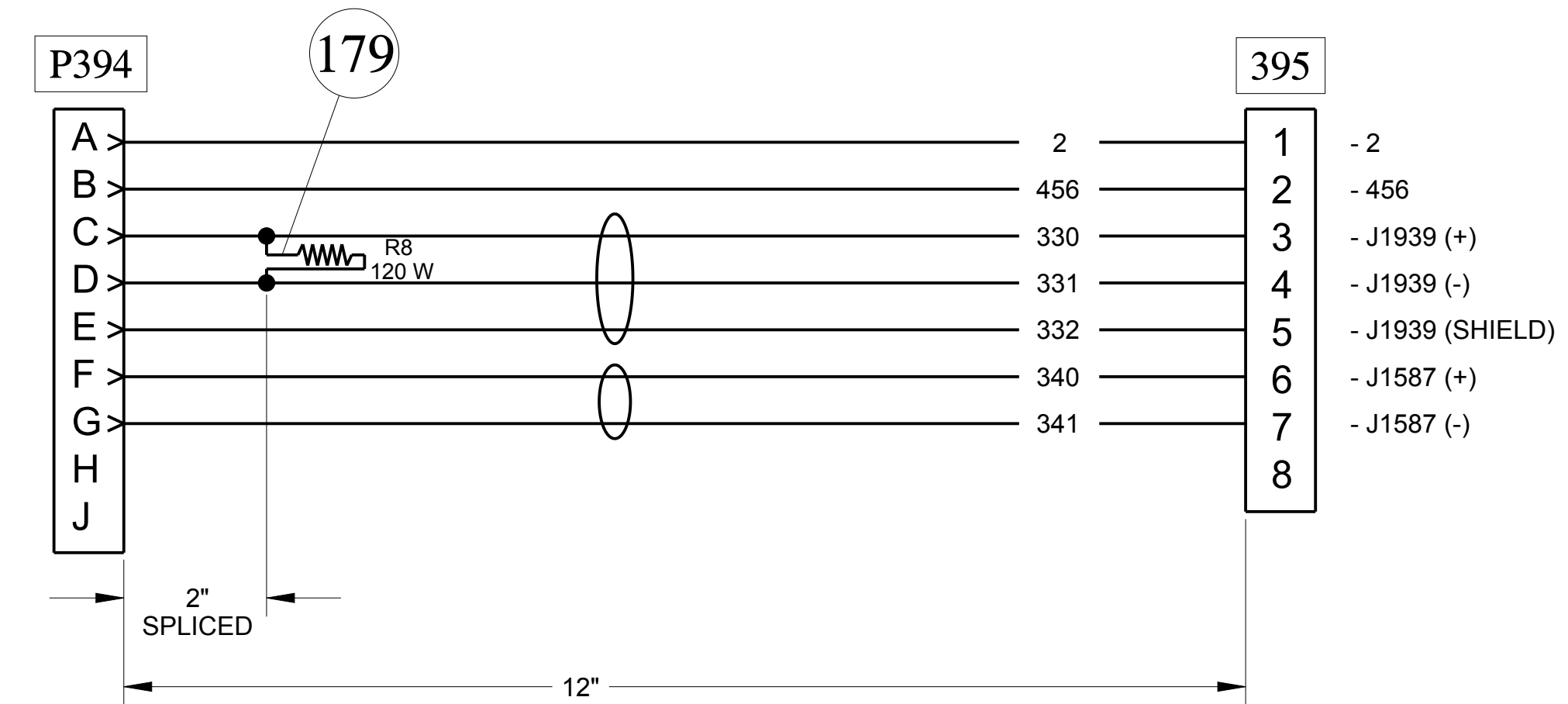
ITEM NO.	PART NUMBER	QTY.	PART DESCRIPTION	VENDOR P/N	DESIGNATION
110	5166808	1	RECEPTACLE, 8-PIN		P395
112	5112930	1	LOCKING WEDGE, RECEPTACLE 8 PIN		-
127	5166797	AR	PIN, 16-20 GA		-
129	5166796	AR	SOCKET, 14-16 GA		-
178	5166809	1	RECEPTACLE, SQ FLANGE 9 PIN		-
179	61200040	1	RESISTOR, 120 OHM 1/2 W		R8
221	2837225	4	SCREW, MACH #4-40 x 1-1/4 RD HD		-
222	3048022	4	NUT HEX, #4-40		-
223	3060451	4	WASHER, SAE #4		-
224	3064446	4	LOCKWASHER, #4-40		-



PANEL UP



PANEL DOWN



CUSTOMARY: ALL DIMENSIONS IN INCHES				THIRD ANGLE PROJECTION	
IMPLIED TOLERANCES		PRODUCT: M7			
FRACTION	± 1/8	DESCRIPTION: ASSY, OVERHEAD CONSOLE			
X	± .06	SIZE	SCALE	DRAWING CODE NUMBER	REV.
XX	± .03	D	.500	96800010	G
XXX	± .010	PLANE ANGLES 45°-1°		ASSEMBLY:-	

SEE LAST SHEET	SWA 09-09-13	601104	MACHINE FINISH UNLESS OTHERWISE STATED
CHANGE	DRAWN BY: DATE:	E.C.O.#	PLANE ANGLES 45°-1°
SHEET 16 OF 19			

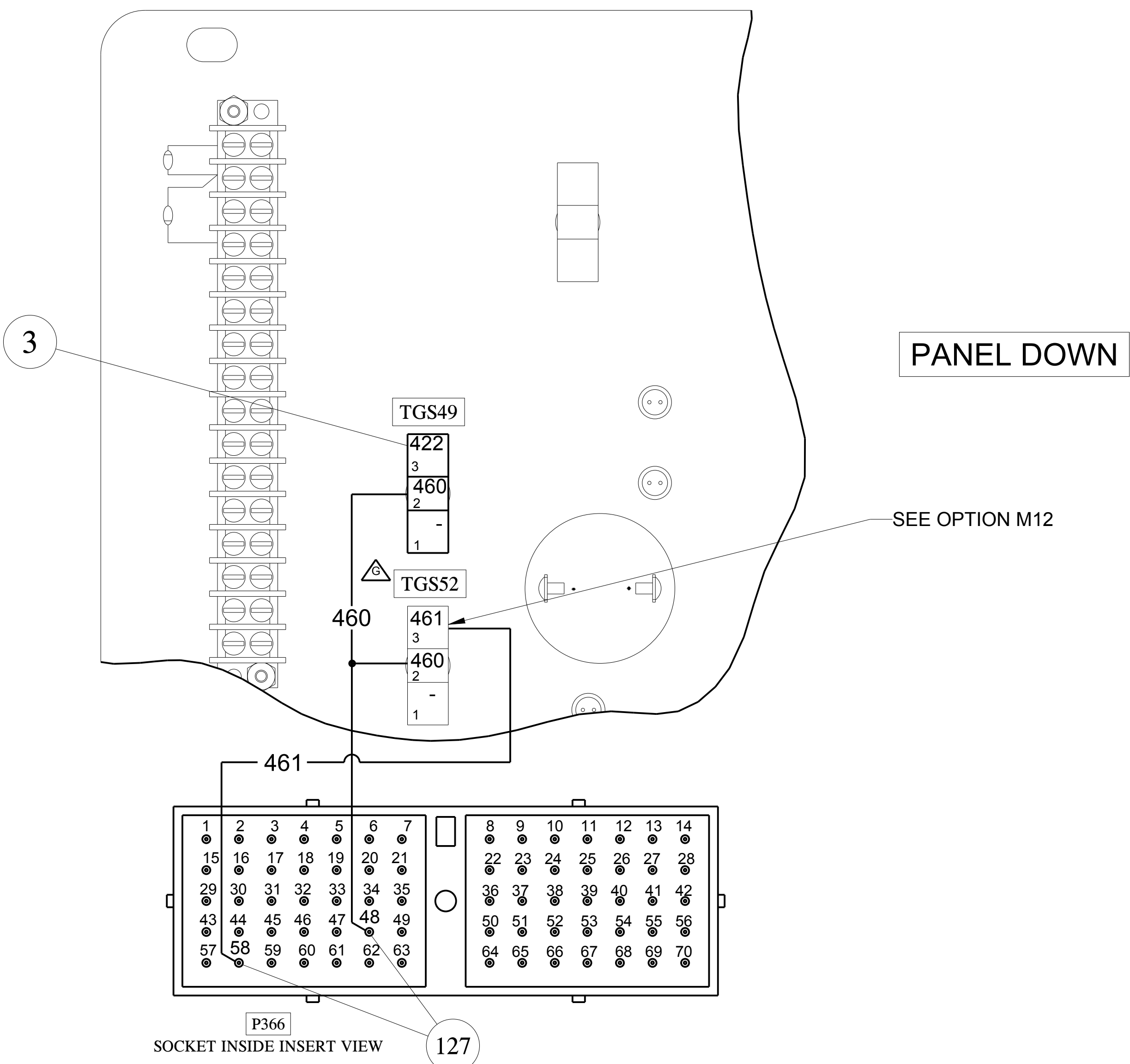
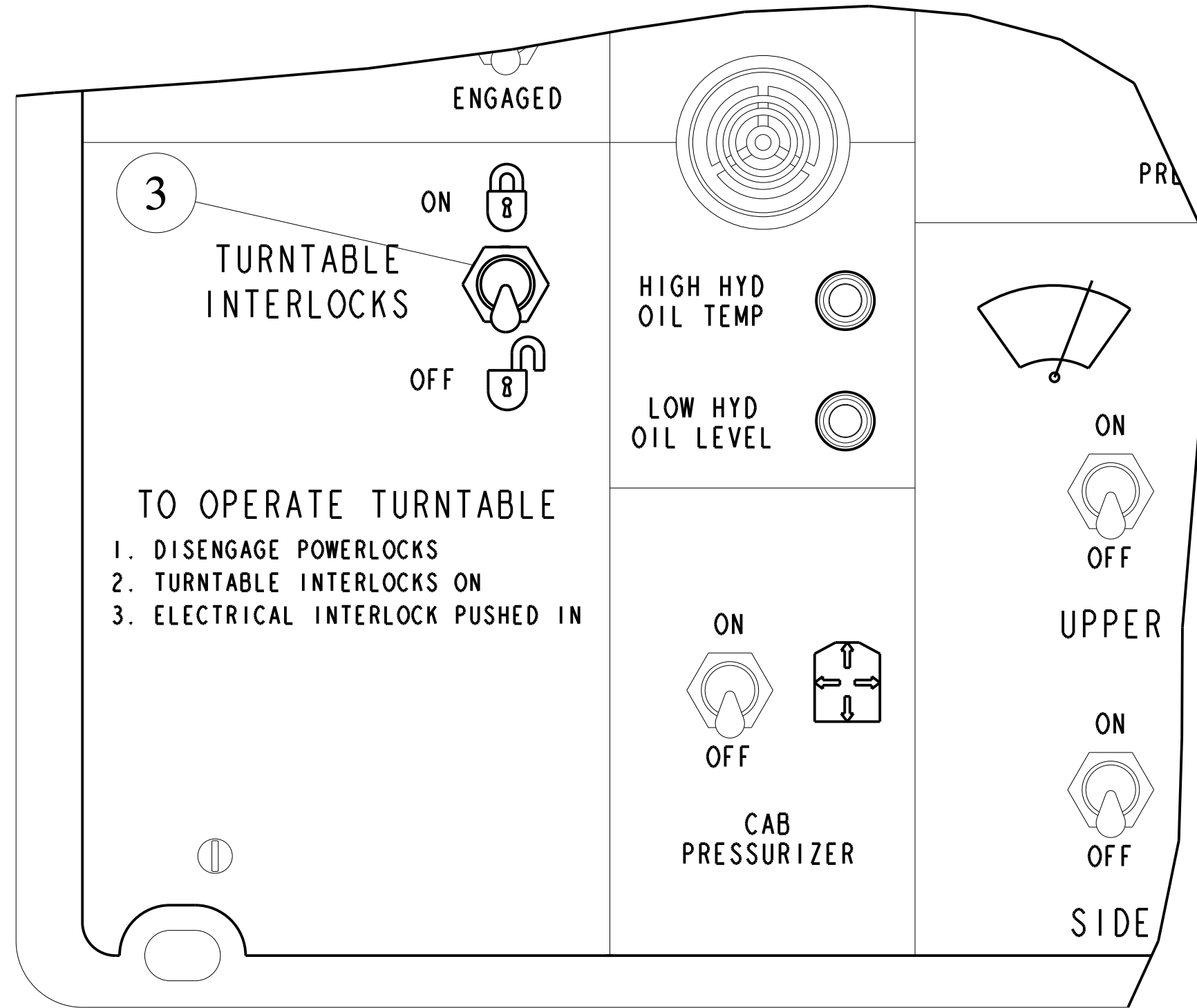
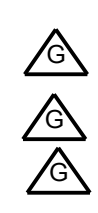
OPTION M14

TURNTABLE POWERLOCK

PURPOSE: ON - OFF SWITCH TO LOCK/UNLOCK TURNTABLE.

MOD NEEDS				
COMPONENT ADD	COMPONENT SUBTRACT	PANEL MOD	WIRE ADD	WIRE SUBTRACT
X			X	

COMPONENT ADD					
ITEM NO.	PART NUMBER	QTY.	PART DESCRIPTION	VENDOR P/N	DESIGNATION
3	5125587	1	SWITCH, TOGGLE		TGS49
127	5166797	2	PIN, 16 GA		



CUSTOMARY:				THIRD ANGLE PROJECTION	
ALL DIMENSIONS IN INCHES		PRODUCT: M7			
IMPLIED TOLERANCES		DESCRIPTION: ASSY, OVERHEAD CONSOLE			
FRACTION	± 1/8	SIZE	SCALE	DRAWING CODE NUMBER	REV.
X	± .06	D	.500	96800010	G
XX	± .03				
XXX	± .010				
REV.	CHANGE	DRAWN BY: DATE:	E.C.O.#	PLANE ANGLES \neq 1°	ASSEMBLY:-
				SHEET 17	OF 19

SEE LAST SHEET	SWA 09-09-13	601104
DATE:		

OPTION M15

TRAVERSING BROOM

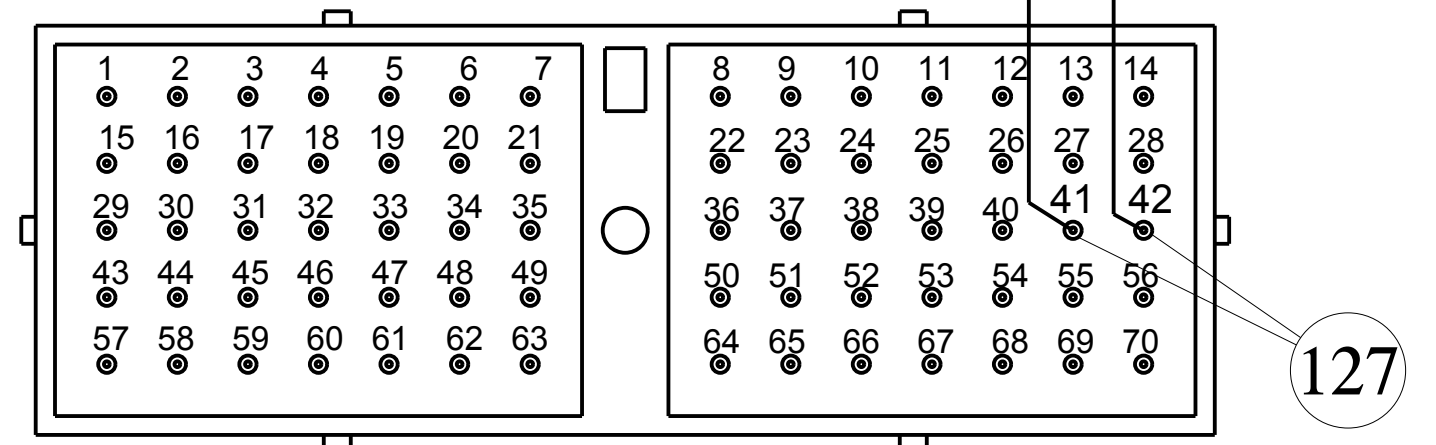
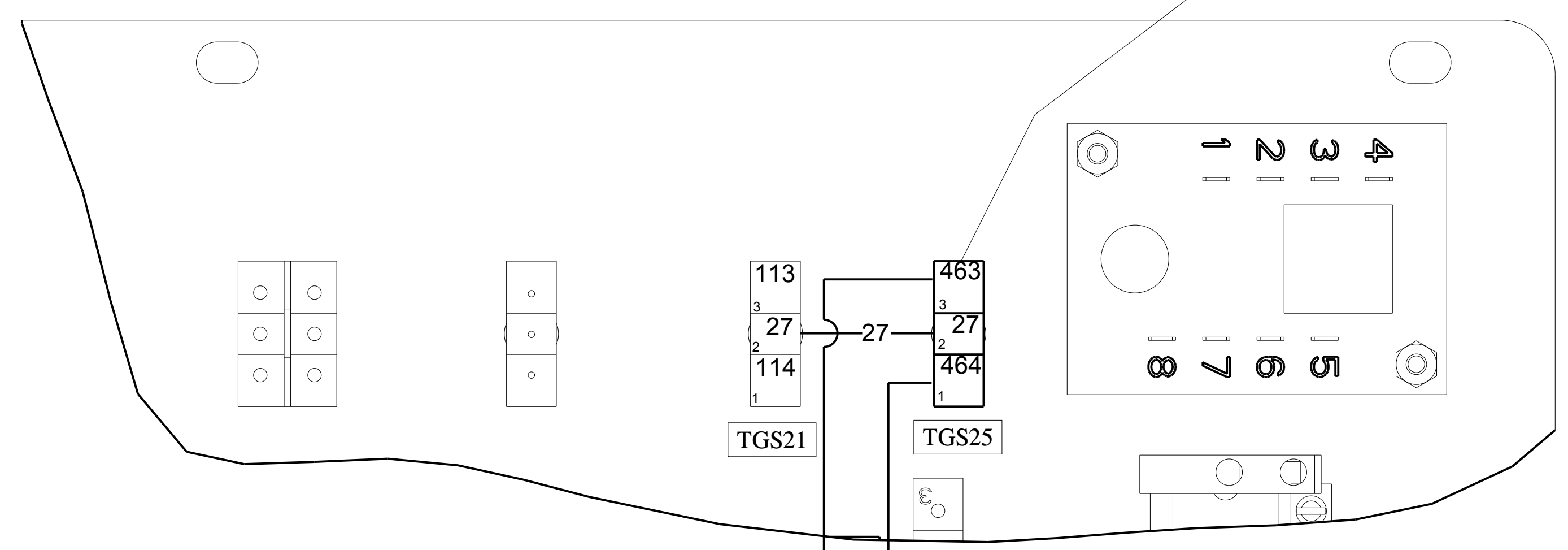
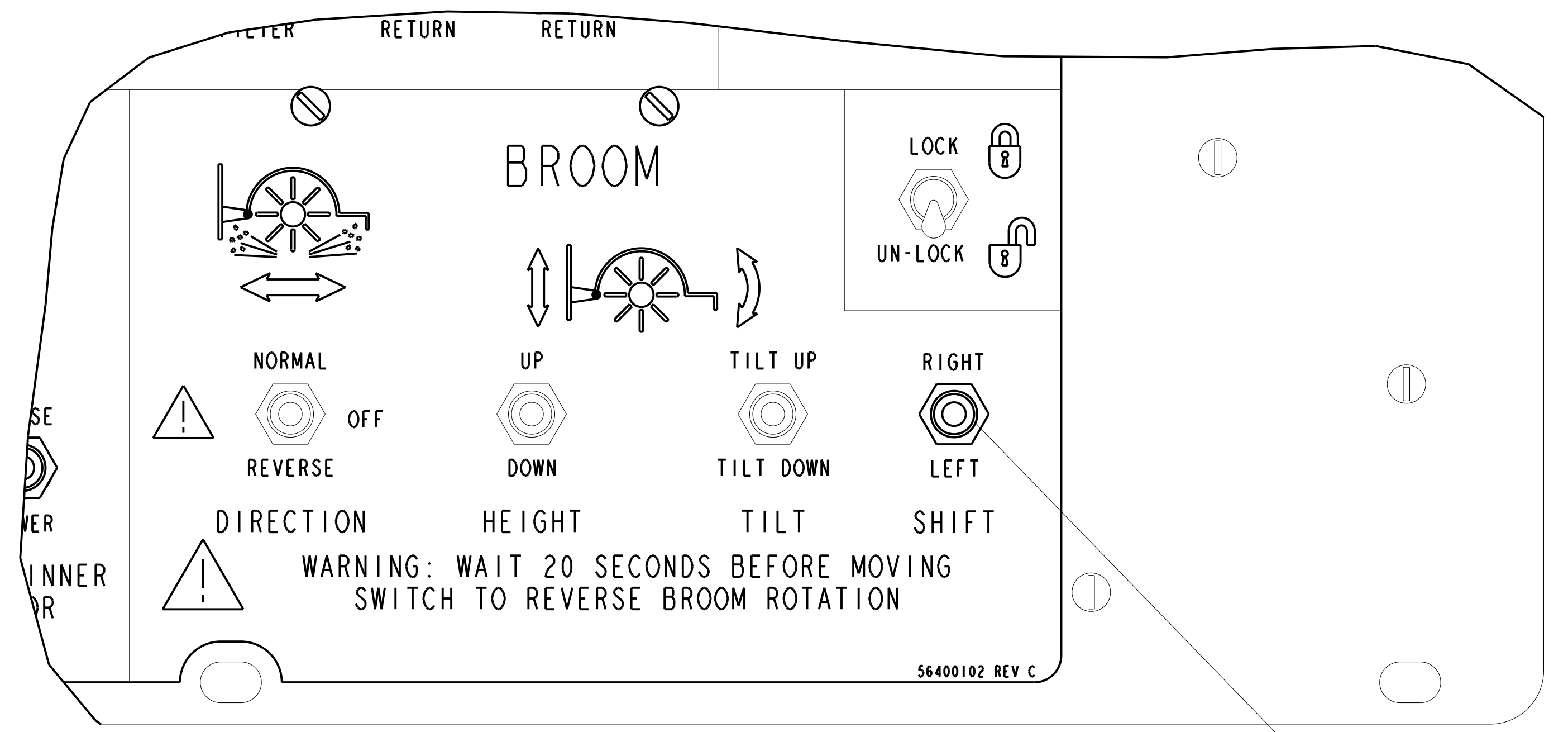
PURPOSE: SWITCH TO OPERATE THE LEFT-RIGHT BROOM SHIFT

MOD NEEDS

COMPONENT ADD	COMPONENT SUBTRACT	PANEL MOD	WIRE ADD	WIRE SUBTRACT
X			X	

COMPONENT ADD

ITEM NO.	PART NUMBER	QTY.	PART DESCRIPTION	VENDOR P/N	DESIGNATION
5	5125590	1	SWITCH, TOGGLE		TGS25
127	5166797	2	PIN, 16 GA		



P366 SOCKET INSIDE INSERT VIEW

CUSTOMARY:				THIRD ANGLE PROJECTION	
ALL DIMENSIONS IN INCHES		PRODUCT: M7			
IMPLIED TOLERANCES:		DESCRIPTION: ASSY, OVERHEAD CONSOLE			
FRACTION	± 1/8	SIZE	SCALE	DRAWING CODE NUMBER	REV.
X	± .06	D	.500	96800010	G
XX	± .03				
XXX	± .010				
MACHINE FINISH UNLESS OTHERWISE STATED		ASSEMBLY:-		SHEET 18 OF 19	

ECO	600134	REV A	
DRAWN BY:	CHECKED BY:	APPROVED BY:	
BJB 01-22-10	SCR 1-26-10		
SHEET	CHANGE		
ALL	NEW ISSUE		

ECO	601104	REV G	
DRAWN BY:	CHECKED BY:	APPROVED BY:	
SWA 09-09-13			
SHEET	CHANGE		
15	WIRE ADD TABLE - WIRE #460 END 2 LOCATION TGS52 @ 2 WAS @ 1. PANEL DOWN VIEW - WIRE #460 WAS TERMINAL1 & LABEL 461 WAS TERMINAL 2.		
17	WIRE ADD TABLE - WIRE #460 END 1 LOCATION TGS52 @ 2 WAS @ 1. WIRE #461 END 1 LOCATION TGS52 @ 3 WAS @ 2. WIRE #460 END 1 LOCATION TGS52 @ 2 WAS @ 1. PANEL DOWN VIEW - WIRE #460 WAS TERMINAL1 & WIRE #461 WAS TERMINAL 2.		

ECO	600134	REV B	
DRAWN BY:	CHECKED BY:	APPROVED BY:	
BJB 01-29-10			
SHEET	CHANGE		
2	IT 47 & 48: QTY WAS 4. ADD IT's 194 & 195 WIRE 48: TGS5@3 WAS TGS6@3. WIRE 60: TGS6@3 WAS TGS5@3 ADD TIMER WIRING (WIRES 2, 27, 115, 116, 463 & 464)		
3	SWITCHED LOCATION OF LT66 & LT82		
4	SWITCHED LOCATION OF LT66 & LT82		
6	BOM: ADD D33. WIRE 133: D34 WAS D33. WIRE 215: D34 WAS D33. ADD WIRES 16, 133 & 462.		
8	BOM: REMOVED D34. WIRE 106: D16 WAS D34. WIRE 133: D16 WAS D34.		

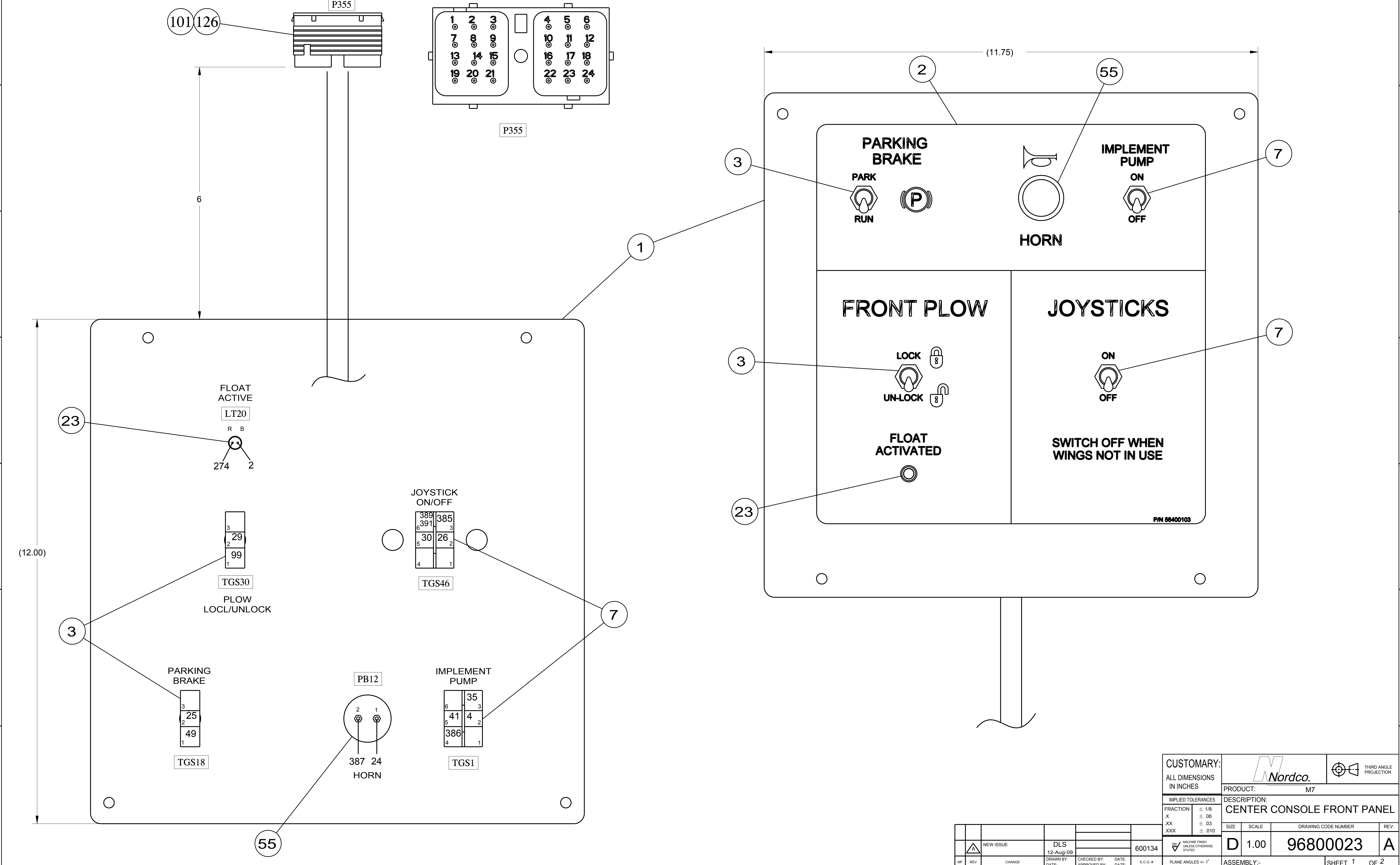
ECO	600185	REV C	
DRAWN BY:	CHECKED BY:	APPROVED BY:	
BJB 03-16-10	SCR 03-19-10	SW 03-26-10	
SHEET	CHANGE		
2	ADD ITEM 13. ITEM 194 WAS 80010028. ITEM 195 WAS 2837652. ADDED ITEM 196. TGS24 @ 2 WAS TGS22 @ 2. TGS22 @ 4 WAS TGS22 @ 1		
3	ADDED ITEM BALLOONS 47, 48, 195 & 196 ADDED ITEM BALLOONS 13, 81 & 87		
14	WIRE 27 END 1 LOCATION WAS TGS22 @ 2		

ECO	600223	REV D	
DRAWN BY:	CHECKED BY:	APPROVED BY:	
BJB 04-19-10	SCR 05-31-10	SW 06-01-10	
SHEET	CHANGE		
2	ITEM 4. VENDOR WAS 8500K11. ITEM 6. QTY WAS 2. ITEM 37. QTY WAS 2. REMOVED CB46. ITEM 59. QTY WAS 2. REMOVED GA6. ITEM 81. QTY WAS 2. REMOVED GA10. ITEM 87. QTY WAS 2. WAS GA10, GA11. ITEM 193. QTY WAS 2. WAS GA6, GA12. REMOVED WIRES: P300 @ 25 TO TS2 - 2. TS2 - 9 TO P366 @ 4. GA11 @ + TO LT69 @ A. TGS21 @ 2 TO TGS24 @ 2. TGS48 @ 1 TO P366 @ 5. P365 @ 8 TO P210 @ 33. TGS23 @ 4 TO P366 @ 5. P366 @ 49 TO LT69 @ B. P366 @ 64 TO P300 @ 20. ADDED WIRE: TGS21 @ 2 TO TMR6 @ C TMR3 @ 8 TO TS2-2 WAS TMR-7 TO TS2-9 REMOVED WIRE: GA12 @ + TO P366 @ 3		
3	MOVED P300 & P366		
4	LT66: 215 WAS 462. LT82: 462 WAS 215.		
5	8501K4 WAS 8501K1		
6	WIRE 215 WAS 462. WIRE 462 WAS 215.		
11	WAS 8501K4. WAS CB36		
15	ITEM 7-VENDOR P/N WAS 8501K1		
17	ITEM 110 P/N WAS DT06-8P. ITEM 112 P/N WAS W8S		

ECO	600598	REV E	
DRAWN BY:	CHECKED BY:	APPROVED BY:	
MKS 02-01-11			
SHEET	CHANGE		
1	REMOVED NOTE 10-SEE SHEET LIST. M08 IS STD FEATURE. DRAWING WAS 19 SHEETS. DELETED CONTENTS OF SHEET 12 & RENUMBERED SUBSEQUENT SHEETS ACCORDINGLY.		
2	REMOVED ITEM 194-SEE M02. ADDED MISSING WIRES 206-207.		
3	REMOVED WIRES & DIODES D33, D34 FROM TS3-SEE M02.		
4	REMOVED M08 > NOW STANDARD COMPONENT.		
12	WAS OPTION "M08". ALL SUBSEQUENT MODS MOVED BACK 1 SHT.		
14	ITEM 7 IN COMPONENT ADD BOM WAS TGS14 IN ERROR. REMOVED WIRE 420 BETWEEN TGS23@2 & TGS48@2. ADDED WIRE 27 BETWEEN TGS23@2 & TGS20@2.		

ECO	600688	REV F	
DRAWN BY:	CHECKED BY:	APPROVED BY:	
SWA 05-31-12	CP 05-31-12		
SHEET	CHANGE		
1	OPTION M15 ADDED.		
4	OPTION M15 ADDED TO BROOM AREA		
18	OPTION M15 ADDED TO INCLUDE INSTRUCTIONS, BOM & VIEWS REVISION HISTORY MOVED TO SHEET 19.		
19	SHEET ADDED FOR REVISION HISTORY FROM SHEET 18.		

CUSTOMARY: ALL DIMENSIONS IN INCHES			
	PRODUCT: M7		
IMPLIED TOLERANCES	DESCRIPTION: ASSY, OVERHEAD CONSOLE		
FRACTION	± 1/8	SIZE	DRAWING CODE NUMBER
X	± .06	SCALE	96800010
XX	± .03	REV	F
XXX	± .010	ASSEMBLY:-	
MACHINE FINISH UNLESS OTHERWISE STATED		SHEET 19 OF 19	
PLANE ANGLES W/ 1°			



CUSTOMARY: ALL DIMENSIONS IN INCHES				THIRD ANGLE PROJECTION	
IMPLIED TOLERANCES		PRODUCT: M7			
FRACTION	± 1/8	DESCRIPTION: CENTER CONSOLE FRONT PANEL			
X	± .06	SIZE	SCALE	DRAWING CODE NUMBER	REV.
XX	± .03	D	1.00	96800023	A
XXX	± .010	ASSEMBLY:-		SHEET 1	OF 2
MF	REV	CHANGE	DRAWN BY: DATE:	CHECKED BY: DATE:	E.C.O.#
			DLS 12-Aug-09		600134
PLANE ANGLES W/ F°					

NEW ISSUE	DLS	600134
DATE:	DATE:	DATE:

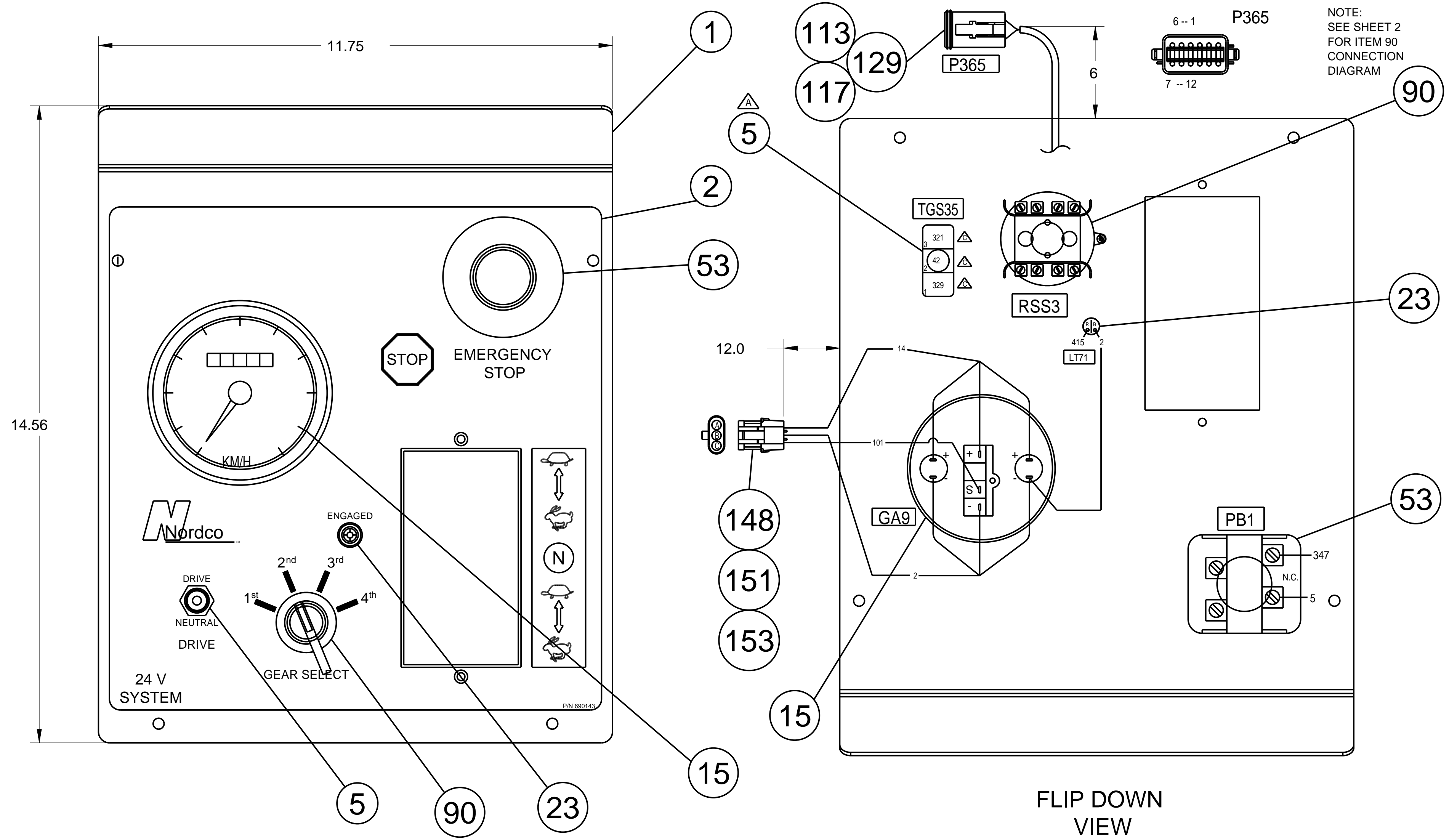
BILL OF MATERIALS

ITEM NO.	PART NUMBER	QTY. REQ.	PART NAME	VENDOR	DESIGNATION
1	53080177	1	PANEL, CENTER CONSOLE FRONT		
2	56400103	1	PLAQUE, CENTER CONSOLE FRONT		
3	5125587	2	SWITCH, TOGGLE SPDT ON-ON		TGS18,30
7	5125579	2	SWITCH, TOGGLE DPDT ON-ON		TGS1
23	5190921	1	LAMP, GREEN LED		LT20
55	5125960	1	PUSHBUTTON, HORN		PB12
101	5166838	1	PLUG, 24-PIN		P355
126	5166798	AR	SOCKET, 16 GA		

NOTES:

1. USE CABLE TIES AS REQUIRED.
2. ALL WIRES TO BE IDENTIFIED WITH WIRE MARKERS AT BOTH ENDS. MARKERS ARE TO BE APPLIED ON WIRE, NOT ON TERMINALS.
3. ALL WIRE SIZES AND CONNECTIONS TO BE PER WIRE CONNECTION LIST.
4. ROUTING OF THE WIRES TO ALLOW ACCESS TO INSIDE COMPONENTS AND FREE MOVEMENT OF THE PANEL. ALL WIRES AND DEVICES TO BE NO CLOSER THAN 1" TO ANY OUTSIDE EDGE OF THE PANEL.
5. ALL MOUNTING HARDWARE TO BE ORIENTED WITH THE BOLT HEADS ON THE OUTSIDE OF THE PANEL.
6. ALL PLUG ENDS ARE TO BE LABELED WITH THEIR INDIVIDUAL I.D. NUMBER (EXAMPLE: P123) SHOWN NEAR EACH PLUG/CONNECTOR.
7. WIRES TO BE STRANDED COPPER OF INDICATED GAUGE, GXL, SXL TYPE OR APPROVED EQUIVALENT.
8. ALL WIRE TO HAVE A TERMINAL CRIMPED TO ENDS. NO BARE WIRE CONNECTIONS TO COMPONENTS. AT POINTS WHERE 2 WIRES ARE AT ONE CONNECTION, CRIMP IN SAME TERMINAL, BUT USE TERMINAL ONE SIZE LARGER TO ACCOMODATE BOTH WIRES. NO MORE THAN 2 WIRES ARE ALLOWED PER CRIMPED TERMINAL.

CUSTOMARY: ALL DIMENSIONS IN INCHES					
IMPLIED TOLERANCES		PRODUCT: M7			
FRACTION	± 1/8	DESCRIPTION: CENTER CONSOLE FRONT PANEL			
X	± .06	SIZE	SCALE	DRAWING CODE NUMBER	REV.
XX	± .03	D	1.00	96800023	A
XXX	± .010	ASSEMBLY:-		SHEET 2	OF 2
NEW ISSUE	DLS	600134	PLANE ANGLES \forall -F°		
DATE:	DATE:	DATE:	E.C.O.#		



NOTE:
SEE SHEET 2
FOR ITEM 90
CONNECTION
DIAGRAM

FLIP DOWN
VIEW

NO CHANGE THIS SHEET	BJB	600223
TGS35, WIRE NUMBERS REARRANGED (321 WAS 329, 42 WAS 321 AND 329 WAS 42)	CP	80099
NO CHANGE THIS SHEET	CP	JW, 10-JUN-08
FLIPPED 329 & 42 ON ITEM 5	AJB	CP, 05-OCT-07
NEW ISSUE	JWW	CP, 22-SEP-06
REV	CHANGE	DRAWN BY: DATE: CHECKED BY: DATE: E.C.O. #

CUSTOMARY:
ALL DIMENSIONS
IN INCHES

IMPLIED TOLERANCES
FRACTION ± 1/8
.X ± .06
.XX ± .03
.XXX ± .010

MACHINE FINISH
UNLESS OTHERWISE
STATED

PLANE ANGLES +/- 1°

Nordco THIRD ANGLE PROJECTION

PRODUCT: M7

DESCRIPTION: ASSY, CC UPPER PANEL

SIZE	SCALE	DRAWING CODE NUMBER	REV.
C	NTS	520214	D

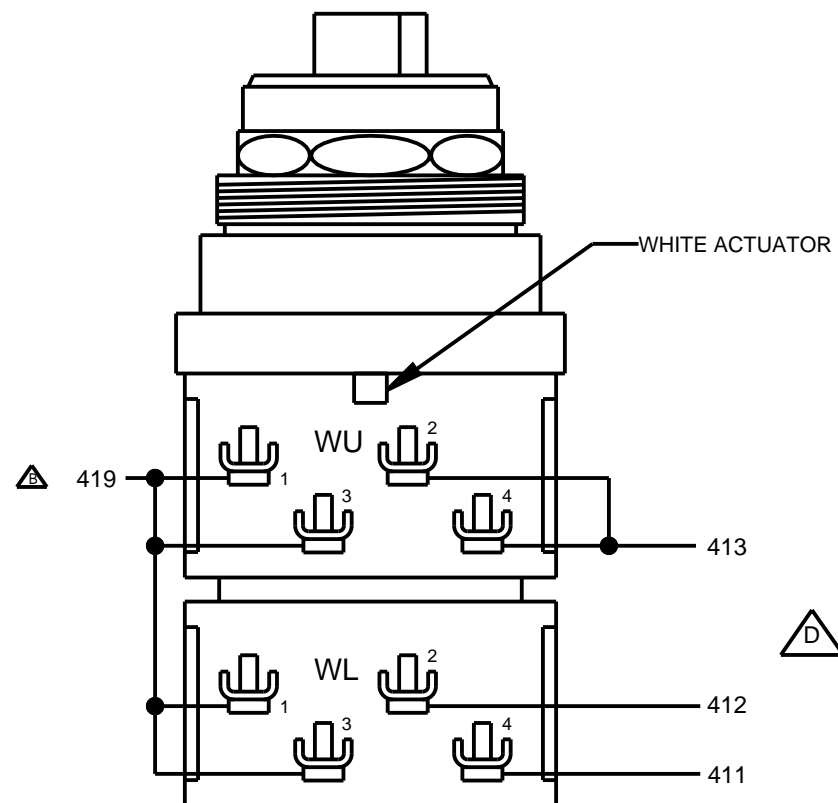
ASSEMBLY: - SHEET 1 OF 2

CONNECTION LIST

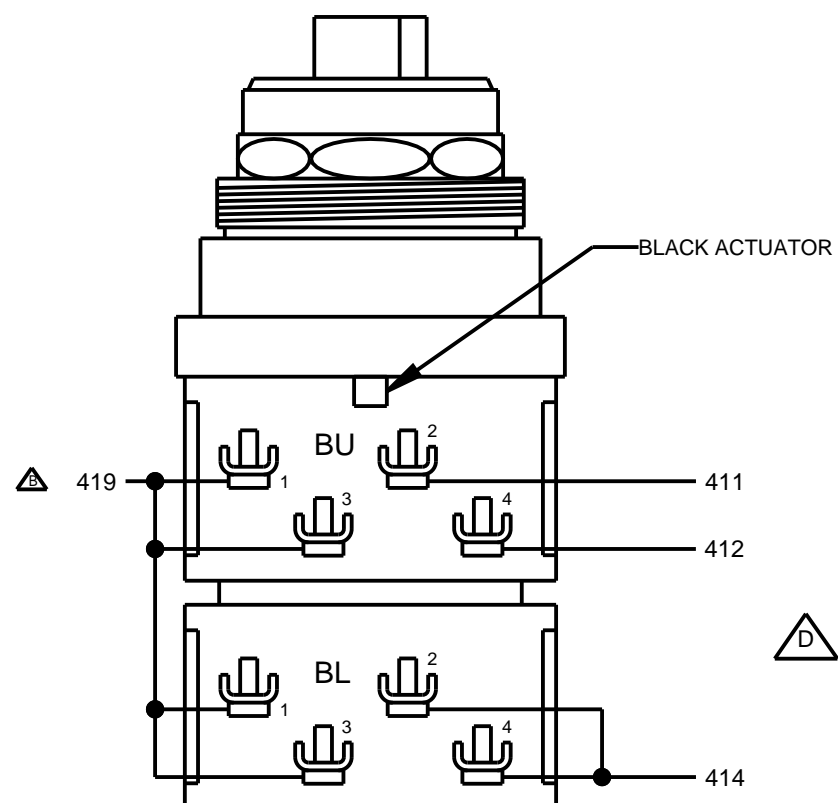
WIRE DESCRIPTION	END 1 LOCATION	END 2 LOCATION	WIRE #
16 AWG GREEN	P371 @ 2	GA9 @ -	2
16 AWG GREEN	GA9 @ -	GA9 @ LT-	2
16 AWG GREEN	GA9 @ LT-	GA9 @ LT-	2
16 AWG GREEN	GA9 @ LT-	LT71 @ -	2
16 AWG RED	P365 @ 1	PB1 - 5	5
16 AWG RED	P371 @ 1	GA9 @ +	14
16 AWG RED	GA9 @ +	GA9 @ LT+	14
16 AWG RED	GA9 @ LT+	GA9 @ LT+	14
16 AWG BLACK	P365 @ 3	TGS35 @ 2	42
16 AWG BLACK	GA9 @ S	P371 @ 3	101
16 AWG BLACK	TGS35 @ 3	P365 @ 8	321
16 AWG BLACK	TGS35 @ 1	P365 @ 7	329
16 AWG BLACK	PB1 - 347	P365 @ 2	347
16 AWG BLACK	RSS3 - 411	RSS3 - 411	411
16 AWG BLACK	RSS3 - 411	P365 @ 9	411
16 AWG BLACK	RSS3 - 412	RSS3 - 412	412
16 AWG BLACK	RSS3 - 412	P365 @ 10	412
16 AWG BLACK	RSS3 - 413	RSS3 - 413	413
16 AWG BLACK	RSS3 - 413	P365 @ 11	413
16 AWG BLACK	RSS3 - 414	RSS3 - 414	414
16 AWG BLACK	RSS3 - 414	P365 @ 12	414
16 AWG BLACK	LT71 @ +	RSS3 @ WU1	419
16 AWG BLACK	RSS3 @ WU1	RSS3 @ WU3	419
16 AWG BLACK	RSS3 @ WU3	RSS3 @ WL1	419
16 AWG BLACK	RSS3 @ WL1	RSS3 @ WL3	419
16 AWG BLACK	RSS3 @ WL3	RSS3 @ BU1	419
16 AWG BLACK	RSS3 @ BU1	RSS3 @ BU3	419
16 AWG BLACK	RSS3 @ BU3	RSS3 @ BL1	419
16 AWG BLACK	RSS3 @ BL1	RSS3 @ BL3	419
16 AWG BLACK	RSS3 @ BL3	P365 @ 6	419

BILL OF MATERIALS

ITEM NO.	PART NUMBER OR MATERIAL	QTY. REQ.	PART DESCRIPTION	DESIGNATION
1	700378	1	PANEL, CENTER CONSOLE UPPER	
2	690143	1	PLAQUE, CENTER CONSOLE UPPER	
5	5125 590	1	SWITCH, TOGGLE CH#8500K2 SPDT (ON)-OFF-(ON)	TGS35,36
15	7085 942	1	GAUGE, SPEEDOMETER, 0-85 MPH, 24V DANIN #308017	GA9
23	5190 921	1	LAMP, GREEN LED DATA DISPLAY PMRL200W-BG24H	LT71
53	5126 636	1	PUSHBUTTON, EMERG STOP AB #800T-FXJ6A1	PB1
90	520195	1	SWITCH, ROTARY, 4-POSITION A-B #800T-N17KF4C	RSS3
113	5166 822	1	PLUG, 12-PIN DEUTSCH #DT06-12S	P365
117	5112 942	1	LOCKING WEDGE, FOR 12 SOCKET PLUG DEUTSCH #W12S	
129	5166 796	11	SOCKET, 14-16 GA DEUTSCH #0462-209-16141	P371
148	5166 773	1	CONNECTOR, FEMALE SHROUD, 3-POLE PACKARD #12020827	
151	5166 781	3	PIN, MALE PACKARD #12124582	
153	5166 777	3	SEAL, 16 GA OR SMALLER PACKARD #12015284	
185	5170 240	AR	CABLE TIES	



RSS3



RSS3

NOTES:

1. USE CABLE TIES, ITEM 185, AS REQUIRED.
2. ALL WIRES TO BE IDENTIFIED WITH WIRE MARKERS AT BOTH ENDS. MARKERS ARE TO BE APPLIED ON WIRE, NOT ON TERMINALS.
3. ALL WIRE SIZES AND CONNECTIONS TO BE PER WIRE CONNECTION LIST.
4. ROUTING OF THE WIRES TO ALLOW ACCESS TO INSIDE COMPONENTS AND FREE MOVEMENT OF THE PANEL. ALL WIRES AND DEVICES TO BE NO CLOSER THAN 1" TO ANY OUTSIDE EDGE OF THE PANEL.
5. ALL MOUNTING HARDWARE TO BE ORIENTED WITH THE BOLT HEADS ON THE OUTSIDE OF THE PANEL.
6. ALL COMPONENT IDENTIFICATIONS SHOWN BOXED ARE TO BE LABELLED WITH TEXT SHOWN.
7. APPLY HEAT SHRINK MATERIAL OVER ALL DIODES AND CAPACITORS (INDIVIDUALLY) TO ELIMINATE ANY BARE WIRES. LABEL WIRES ON ANODE SIDE OF EACH DIODE AS CLOSE AS POSSIBLE TO HEAT SHRINK.
8. WIRES TO BE STRANDED COPPER OF INDICATED GAUGE, GXL, SXL TYPE OR APPROVED EQUIVALENT.
9. ALL WIRE TO HAVE A TERMINAL CRIMPED TO ENDS. NO BARE WIRE CONNECTIONS TO COMPONENTS. AT POINTS WHERE 2 WIRES ARE AT ONE CONNECTION, CRIMP IN SAME TERMINAL, BUT USE TERMINAL ONE SIZE LARGER TO ACCOMODATE BOTH WIRES. NO MORE THAN 2 WIRES ARE ALLOWED PER CRIMPED TERMINAL.

REV	CHANGE	DATE	APPROVED BY	DATE	E.C.O. #
D	REVISED WIRING DIAGRAMS IT 148- WAS 12020829		BJB		600223
C	WIRE 321, TGS35@3 WAS TGS35@2		CP	10-FEB-09	80099
B	TGS35 @ 2 WAS TGS 35 @ 3 (WIRE 42) P365 @ 11 WAS P365 @ 9 (WIRE 413) P365 @ 12 WAS P365 @ 9 WIRE 419 WAS 413 & WIRE 419 WAS 415		CP	21-SEP-07	-
A	TGS35 @ 2 WAS TGS 35 @ 1 (WIRE 42) TGS35 @ 1 WAS TGS 35 @ 3 (WIRE 329) ITEM 90 #800T-N17KF4C WAS #800T-N17KF4B ITEM 117: 5112 942 WAS 5166 942		AJB	21-SEP-07	-
-	NEW ISSUE		JWW	CP, 22-SEP-06	-

CUSTOMARY: ALL DIMENSIONS IN INCHES

IMPLIED TOLERANCES: FRACTION ± 1/8, .XX ± .06, .XXX ± .03, .XXX ± .010

MACHINE FINISH UNLESS OTHERWISE STATED

PLANE ANGLES +/- 1°

PRODUCT: M7

DESCRIPTION: ASSY, CC UPPER PANEL

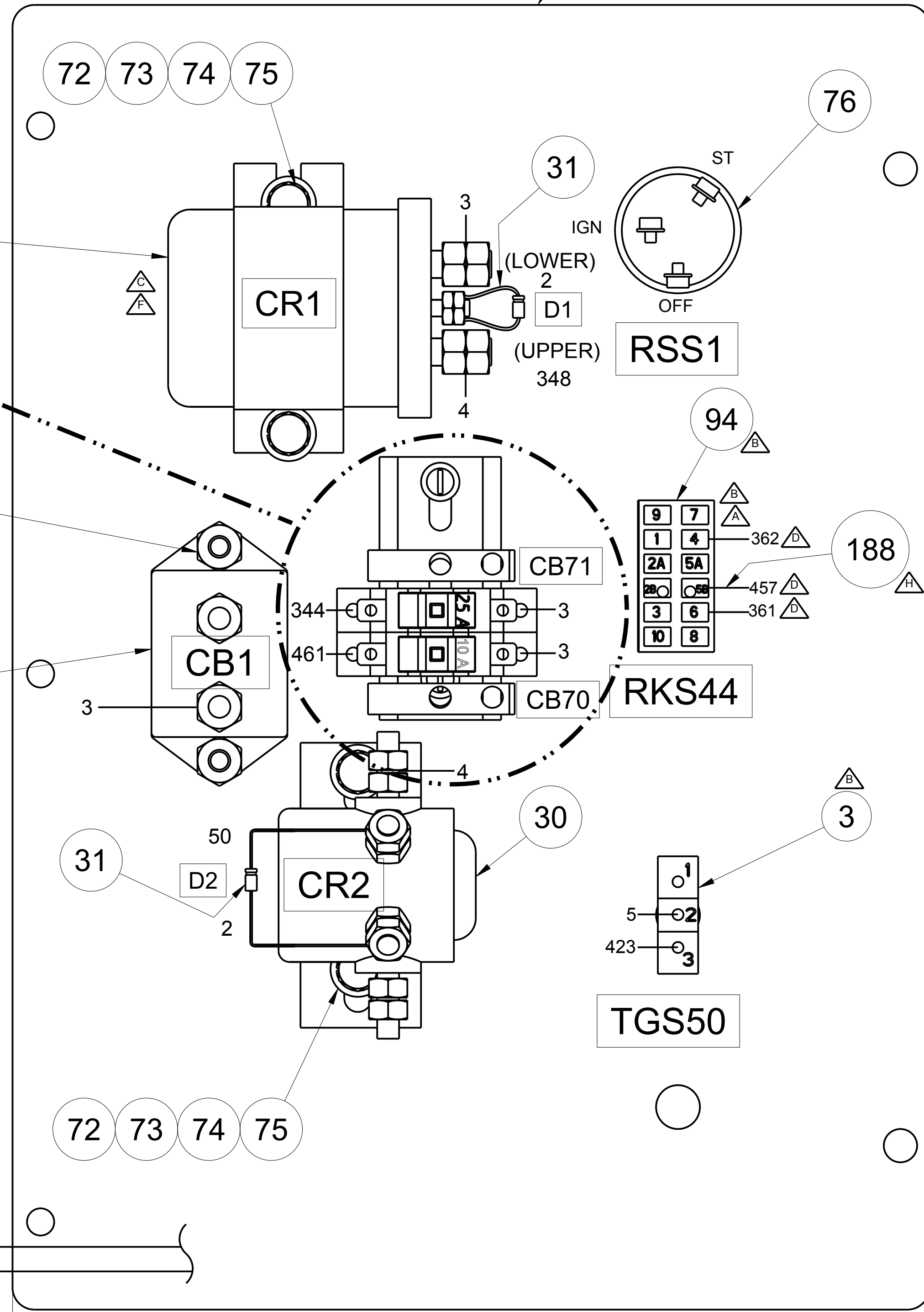
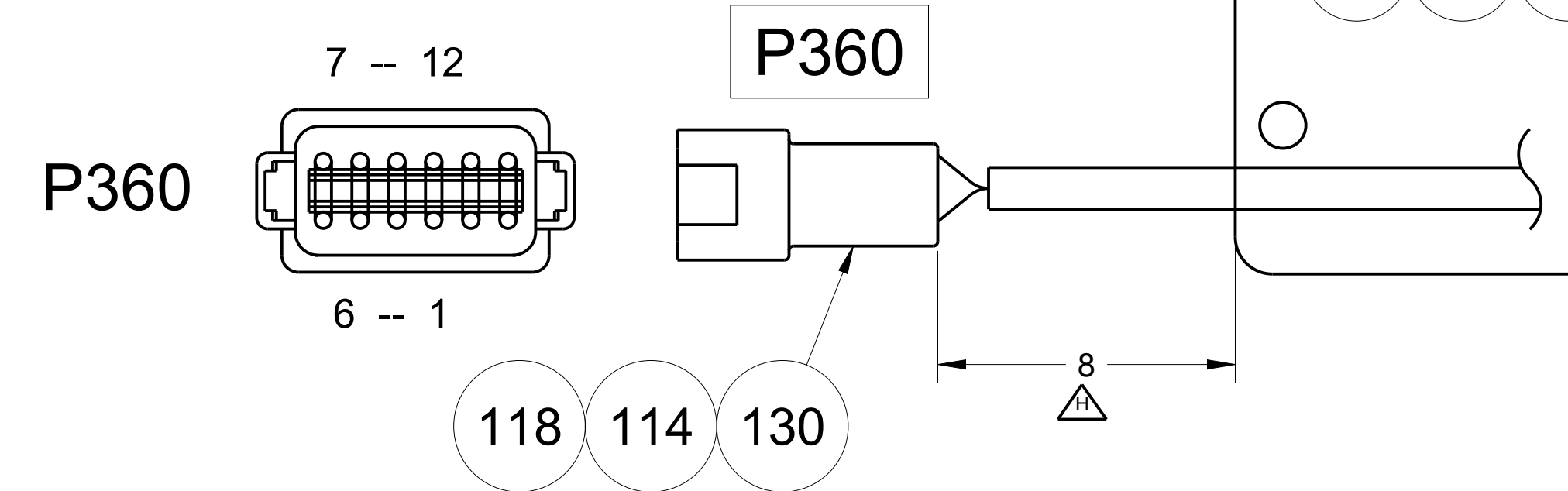
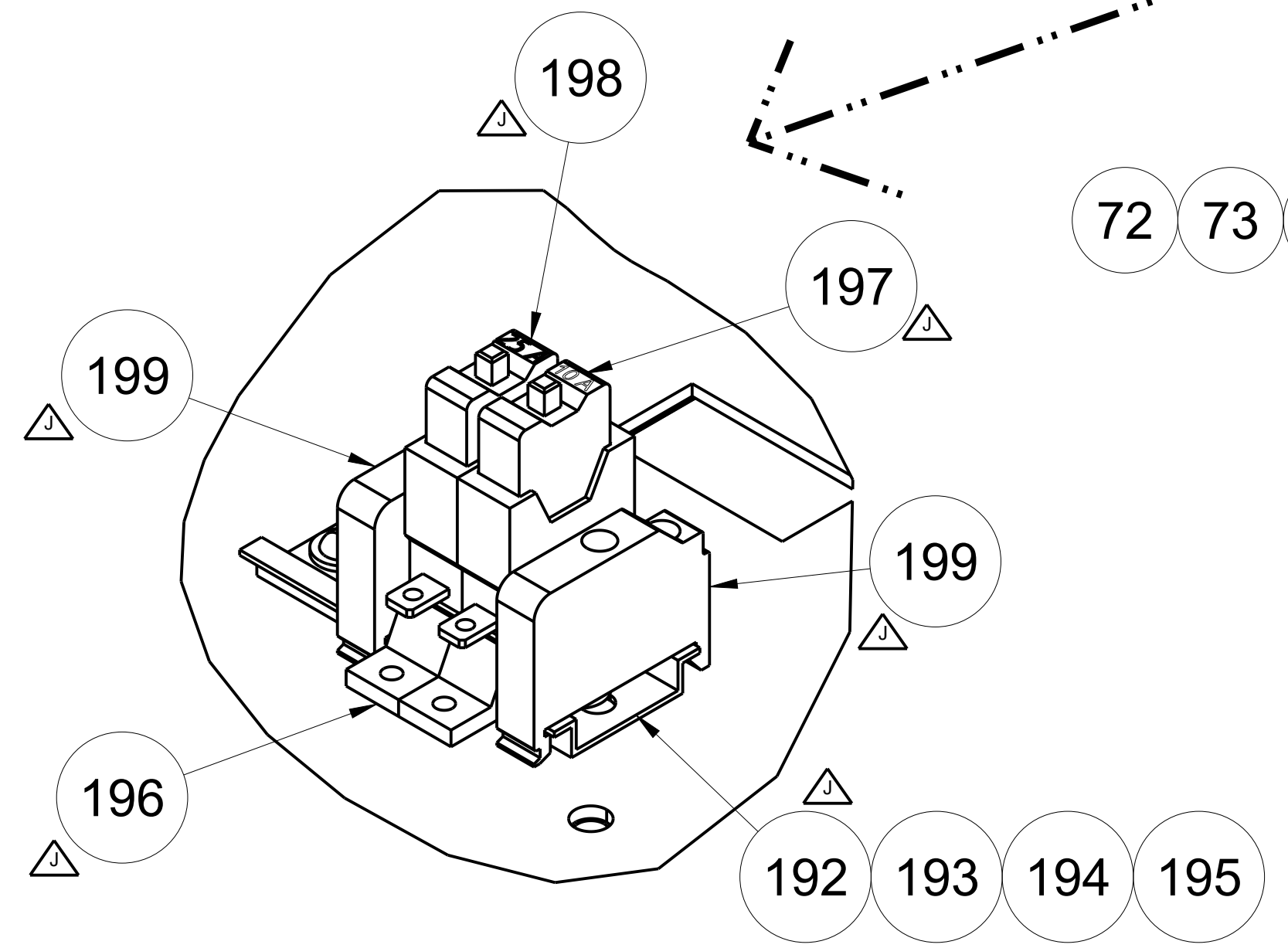
SIZE SCALE DRAWING CODE NUMBER REV.

C NTS 520214 D

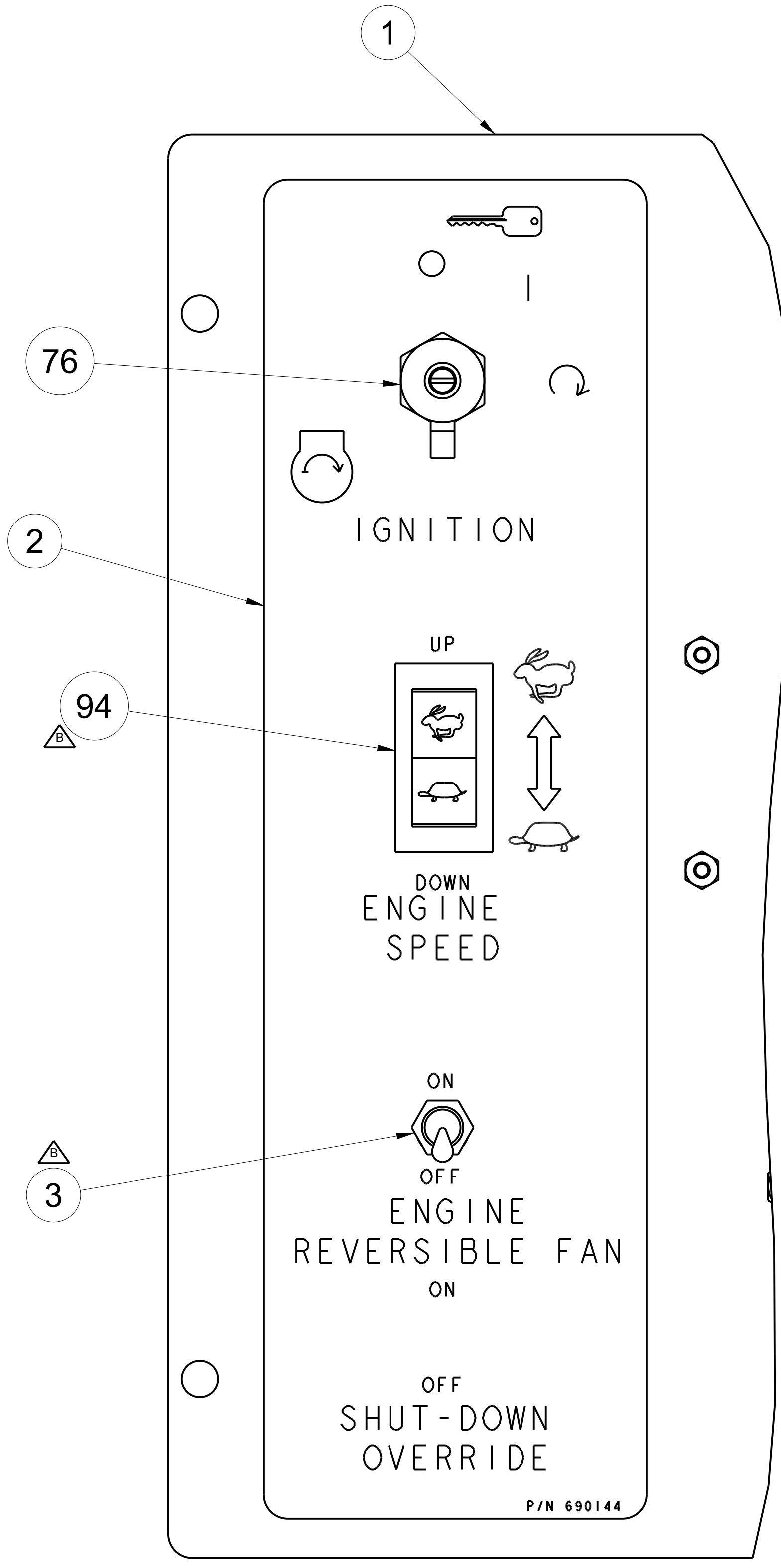
ASSEMBLY: - SHEET 2 OF 2

NORDCO P/N	CUSTOMER	MOD R01 IN-LINE FUSE	MOD R02 RADIO TIMER
53088000	STD		
53088001	CPR		X

NOTES:
1. 53088001: R01 USED UP TO S/N800545



BASE PANEL



OPERATOR VIEW

<table border="1"> <tr> <th>REV</th> <th>CHANGE</th> <th>DRAWN BY:</th> <th>CHECKED BY:</th> <th>DATE:</th> <th>DATE:</th> <th>E.C.O.#</th> </tr> <tr> <td>1</td> <td>MODS TABLE & NOTES ADDED. CB1 WAS AT PANEL BOTTOM. ITEMS 92 & 93 (F11) MOVED TO R01. ITEMS 192 TO 199 ADDED.</td> <td>SWA</td> <td></td> <td>03-26-13</td> <td></td> <td>600910</td> </tr> <tr> <td>2</td> <td>ADDED ITEM 188</td> <td>BJB</td> <td>SCR</td> <td>05-31-10</td> <td></td> <td>600223</td> </tr> <tr> <td>3</td> <td>ADDED (3X) 8 DIMS</td> <td>SW</td> <td></td> <td>06-01-10</td> <td></td> <td></td> </tr> <tr> <td>4</td> <td>NO CHANGE THIS SHEET</td> <td>BJB</td> <td>SW</td> <td>2-1-10</td> <td></td> <td>600185</td> </tr> </table>	REV	CHANGE	DRAWN BY:	CHECKED BY:	DATE:	DATE:	E.C.O.#	1	MODS TABLE & NOTES ADDED. CB1 WAS AT PANEL BOTTOM. ITEMS 92 & 93 (F11) MOVED TO R01. ITEMS 192 TO 199 ADDED.	SWA		03-26-13		600910	2	ADDED ITEM 188	BJB	SCR	05-31-10		600223	3	ADDED (3X) 8 DIMS	SW		06-01-10			4	NO CHANGE THIS SHEET	BJB	SW	2-1-10		600185	<table border="1"> <tr> <th>REV</th> <th>CHANGE</th> <th>DRAWN BY:</th> <th>CHECKED BY:</th> <th>DATE:</th> <th>DATE:</th> <th>E.C.O.#</th> </tr> <tr> <td>1</td> <td>WIRE 345 @ F11 WAS 344 IN ERROR. ROTATED CR1 90° CW.</td> <td>MKS</td> <td>SCR</td> <td>1-26-10</td> <td></td> <td>600163</td> </tr> <tr> <td>2</td> <td>NO CHANGE THIS SHEET</td> <td>CP</td> <td>JWW</td> <td>13-FEB-09</td> <td></td> <td>80099</td> </tr> <tr> <td>3</td> <td>RKS44, ADDED WIRE #457 REPOSITION WIRES #361 AND #362</td> <td>CP</td> <td>JW</td> <td>10-JUN-08</td> <td></td> <td>80050</td> </tr> <tr> <td>4</td> <td>ITEM 29: ROTATE 180° TO MEET MANUFACTURER MOUNTING SPECIFICATION</td> <td>CP</td> <td>JW</td> <td>10-JUN-08</td> <td></td> <td>80050</td> </tr> <tr> <td>5</td> <td>REMOVED ITEM 5</td> <td>CP</td> <td>JW</td> <td>10-JUN-08</td> <td></td> <td></td> </tr> <tr> <td>6</td> <td>ADDED ITEMS 3, 92, 93 & 94</td> <td>CP</td> <td>MK</td> <td>24-JUL-08</td> <td></td> <td></td> </tr> <tr> <td>7</td> <td>FLIPPED 396 WITH 397 ON ITEM 5. REMOVED ITEM 77, 188, 189, 190 & 191</td> <td>AJB</td> <td>CP</td> <td>03-OCT-07</td> <td></td> <td></td> </tr> <tr> <td>8</td> <td>NEW ISSUE</td> <td>JWW</td> <td>CP</td> <td>22-SEP-06</td> <td></td> <td></td> </tr> </table>	REV	CHANGE	DRAWN BY:	CHECKED BY:	DATE:	DATE:	E.C.O.#	1	WIRE 345 @ F11 WAS 344 IN ERROR. ROTATED CR1 90° CW.	MKS	SCR	1-26-10		600163	2	NO CHANGE THIS SHEET	CP	JWW	13-FEB-09		80099	3	RKS44, ADDED WIRE #457 REPOSITION WIRES #361 AND #362	CP	JW	10-JUN-08		80050	4	ITEM 29: ROTATE 180° TO MEET MANUFACTURER MOUNTING SPECIFICATION	CP	JW	10-JUN-08		80050	5	REMOVED ITEM 5	CP	JW	10-JUN-08			6	ADDED ITEMS 3, 92, 93 & 94	CP	MK	24-JUL-08			7	FLIPPED 396 WITH 397 ON ITEM 5. REMOVED ITEM 77, 188, 189, 190 & 191	AJB	CP	03-OCT-07			8	NEW ISSUE	JWW	CP	22-SEP-06			<table border="1"> <tr> <th>REV</th> <th>CHANGE</th> <th>DRAWN BY:</th> <th>CHECKED BY:</th> <th>DATE:</th> <th>DATE:</th> <th>E.C.O.#</th> </tr> <tr> <td>1</td> <td></td> <td></td> <td></td> <td></td> <td></td> <td></td> </tr> </table>	REV	CHANGE	DRAWN BY:	CHECKED BY:	DATE:	DATE:	E.C.O.#	1							<table border="1"> <tr> <td>600163</td> <td>CUSTOMARY:</td> <td rowspan="4"> </td> <td rowspan="4"> </td> </tr> <tr> <td>80099</td> <td>ALL DIMENSIONS IN INCHES</td> </tr> <tr> <td>80050</td> <td>IMPLIED TOLERANCES</td> </tr> <tr> <td>80050</td> <td>FRACTION ±.18 X ±.06 XX ±.03 XXX ±.010</td> </tr> <tr> <td colspan="2">PRODUCT: M7</td> <td colspan="2">DESCRIPTION: ASSY, CC RIGHT PANEL</td> </tr> <tr> <td colspan="2">SIZE: D</td> <td>SCALE: 1:1</td> <td>DRAWING CODE NUMBER: 520215</td> </tr> <tr> <td colspan="2">ASSEMBLY:</td> <td colspan="2">REV: J</td> </tr> </table>	600163	CUSTOMARY:			80099	ALL DIMENSIONS IN INCHES	80050	IMPLIED TOLERANCES	80050	FRACTION ±.18 X ±.06 XX ±.03 XXX ±.010	PRODUCT: M7		DESCRIPTION: ASSY, CC RIGHT PANEL		SIZE: D		SCALE: 1:1	DRAWING CODE NUMBER: 520215	ASSEMBLY:		REV: J	
REV	CHANGE	DRAWN BY:	CHECKED BY:	DATE:	DATE:	E.C.O.#																																																																																																																																			
1	MODS TABLE & NOTES ADDED. CB1 WAS AT PANEL BOTTOM. ITEMS 92 & 93 (F11) MOVED TO R01. ITEMS 192 TO 199 ADDED.	SWA		03-26-13		600910																																																																																																																																			
2	ADDED ITEM 188	BJB	SCR	05-31-10		600223																																																																																																																																			
3	ADDED (3X) 8 DIMS	SW		06-01-10																																																																																																																																					
4	NO CHANGE THIS SHEET	BJB	SW	2-1-10		600185																																																																																																																																			
REV	CHANGE	DRAWN BY:	CHECKED BY:	DATE:	DATE:	E.C.O.#																																																																																																																																			
1	WIRE 345 @ F11 WAS 344 IN ERROR. ROTATED CR1 90° CW.	MKS	SCR	1-26-10		600163																																																																																																																																			
2	NO CHANGE THIS SHEET	CP	JWW	13-FEB-09		80099																																																																																																																																			
3	RKS44, ADDED WIRE #457 REPOSITION WIRES #361 AND #362	CP	JW	10-JUN-08		80050																																																																																																																																			
4	ITEM 29: ROTATE 180° TO MEET MANUFACTURER MOUNTING SPECIFICATION	CP	JW	10-JUN-08		80050																																																																																																																																			
5	REMOVED ITEM 5	CP	JW	10-JUN-08																																																																																																																																					
6	ADDED ITEMS 3, 92, 93 & 94	CP	MK	24-JUL-08																																																																																																																																					
7	FLIPPED 396 WITH 397 ON ITEM 5. REMOVED ITEM 77, 188, 189, 190 & 191	AJB	CP	03-OCT-07																																																																																																																																					
8	NEW ISSUE	JWW	CP	22-SEP-06																																																																																																																																					
REV	CHANGE	DRAWN BY:	CHECKED BY:	DATE:	DATE:	E.C.O.#																																																																																																																																			
1																																																																																																																																									
600163	CUSTOMARY:																																																																																																																																								
80099	ALL DIMENSIONS IN INCHES																																																																																																																																								
80050	IMPLIED TOLERANCES																																																																																																																																								
80050	FRACTION ±.18 X ±.06 XX ±.03 XXX ±.010																																																																																																																																								
PRODUCT: M7		DESCRIPTION: ASSY, CC RIGHT PANEL																																																																																																																																							
SIZE: D		SCALE: 1:1	DRAWING CODE NUMBER: 520215																																																																																																																																						
ASSEMBLY:		REV: J																																																																																																																																							

LIST OF MATERIALS

ITEM NO.	PART NUMBER OR MATERIAL	QTY. REQ.	PART NAME	MFR PART NUMBER	DESIGNATION
1	700379	1	PANEL, CENTER CONSOLE UPPER		
2	690144	1	PLAQUE, CENTER CONSOLE UPPER		
3	5125587	1	SWITCH, TOGGLE SPDT ON-ON	CH #8500K4	TGS50
5					
29	61231211	1	RELAY, MAIN POWER, 200A / 24V	NEWARK #44F3648	CR1
30	61231201	1	RELAY, ELECT. INTERLOCK, 100A / 24V	COLE HERSEE #24063	CR2
31	29680018	2	DIODE, #1N5624		D1,D2
71	520201	1	BREAKER, CIRCUIT, MAIN 90A	TI KLIXON #SDLM-90	CB1
72	2774271	4	CAPSCREW, HEX HD.. 1/4-20 X 3/4" LG.		
73	3060465	4	WASHER, SAE 1/4"		
74	3064465	4	WASHER, SPRING LOCK 1/4"		
75	3001011	4	NUT, HEX 1/4-20		
76	5126082	1	SWITCH, IGNITION	COLE HERSEE #95612	RSS1
77					
92					F11
93					F11
94	520273	1	SWITCH,ROCKER (ON)-NONE-(ON)	SUPERIOR DIESEL #RE192470 (SUPP W/ENGINE)	
114	5166812	1	RECEPTACLE, 12-PIN	DEUTSCH #DT04-12P	
118	5166932	1	LOCKING WEDGE, 12 PIN RECEPTACLE	DEUTSCH #W12P	P360
130	5166791	AR	PIN, 14-16 GA	DEUTSCH #0460-215-16141	
185	5170240	AR	CABLE TIES		
188	5166693	3	TERMINAL, FEMALE, SPADE, 14-16 GA		361,362,457
189					
190					
191					
192		1	DIN RAIL 1-3/8 x 3.0		
193	2837469	2	SCREW,MACH RD HD #8-32 X 3/8		
194	3060455	2	WASHER SAE #8		
195	3048034	2	NUT HEX #8-32		
196	53110008	1	BASE,CIRCUIT BREAK MTG 2 PLACE	ETA 12-J20-20	
197	5128935	1	CIRCUIT BREAKER, 10A MAN RESET	ETA 1170-02-10A	
198	5128938	1	CIRCUIT BREAKER, 25A MAN RESET	ETA 1170-02-25A	
199	5128435	2	STOP, DIN RAIL	SQUARE D #9080MHA10	

NOTES:

- USE CABLE TIES, ITEM 185, AS REQUIRED.
- ALL WIRES TO BE IDENTIFIED WITH WIRE MARKERS AT BOTH ENDS. MARKERS ARE TO BE APPLIED ON WIRE, NOT ON TERMINALS.
- ALL WIRE SIZES AND CONNECTIONS TO BE PER WIRE CONNECTION LIST.
- ROUTING OF THE WIRES TO ALLOW ACCESS TO INSIDE COMPONENTS AND FREE MOVEMENT OF THE PANEL. ALL WIRES AND DEVICES TO BE NO CLOSER THAN 1" TO ANY OUTSIDE EDGE OF THE PANEL.
- ALL MOUNTING HARDWARE TO BE ORIENTED WITH THE BOLT HEADS ON THE OUTSIDE OF THE PANEL.
- ALL COMPONENT IDENTIFICATIONS SHOWN BOXED ARE TO BE LABELLED WITH TEXT SHOWN.
- APPLY HEAT SHRINK MATERIAL OVER ALL DIODES AND CAPACITORS (INDIVIDUALLY) TO ELIMINATE ANY BARE WIRES. LABEL WIRES ON ANODE SIDE OF EACH DIODE AS CLOSE AS POSSIBLE TO HEAT SHRINK.
- WIRES TO BE STRANDED COPPER OF INDICATED GAUGE, GXL, SXL TYPE OR APPROVED EQUIVALENT.
- ALL WIRE TO HAVE A TERMINAL CRIMPED TO ENDS. NO BARE WIRE CONNECTIONS TO COMPONENTS. AT POINTS WHERE 2 WIRES ARE AT ONE CONNECTION, CRIMP IN SAME TERMINAL, BUT USE TERMINAL ONE SIZE LARGER TO ACCOMODATE BOTH WIRES. NO MORE THAN 2 WIRES ARE ALLOWED PER CRIMPED TERMINAL.

CONNECTION LIST

WIRE #	END 1 LOCATION	END 2 LOCATION	DESCRIPTION
2	D2 @ ANODE	CR2 - 2	16 AWG GREEN
2	D1 @ ANODE	CR1 - 2	16 AWG GREEN
2	CR1 - 2	CR2 - 2	16 AWG GREEN
2	CR2 - 2	P360 @ 1	16 AWG GREEN
3	CB1 - 3	CR1 - 3	4 AWG RED
3	CB1 - 3	CB71 @ 3	12 AWG RED
3	CB71-3	CB70-3	BUSS
4	CR1 - 4	CR2 - 4	10 AWG RED
4	CR1 @ 4	P360 @ 4	16 AWG RED
5	RSS1 @ IGN	P360 @ 2	16 AWG RED
5	RSS1 @ IGN	TGS50 @ 2	16 AWG RED
41	RSS1 @ ST	P360 @ 3	16 AWG BLACK
50	P360 @ 9	CR2 - A1	16 AWG BLACK
50	CR2 - A1	D2 @ CATHODE	16 AWG BLACK
348	P360 @ 10	CR1 - 348	16 AWG BLACK
348	CR1 - 348	D1 @ CATHODE	16 AWG BLACK
361	RKS44 @ 6	P360 @ 6	16 AWG BLACK
362	RKS44 @ 4	P360 @ 7	16 AWG BLACK
423	P360 @ 12	TGS50 @ 3	16 AWG RED
457	RKS44@5B	P360 @ 11	16 AWG BLACK
461	CB70-461	RSS1@BAT	16 AWG RED

ITEMS 92 & 93 MOVED TO R01. ITEMS 192 TO 199 ADDED. WIRE #3 - CR1-3 - RSS1@BAT - 16 AWG RED REMOVED WIRE #3 END 2 - CB71@3 WAS F11@3. WIRE #3 - CB71-3... ADDED. WIRE #461 ADDED.	SWA	03-26-13	600910
ADDED ITEM 188 ADDED (3X) 8 DIMS	B/B SW 05-31-10		600223
REMOVED WIRES 3 & 2. ADD WIRE 4	B/B SW 2-1-10		600185
CHANGE	DRAWN BY: DATE: CHECKED BY: DATE: E.C.O.#		

WIRE 50, CR2-A1 WAS CR2 -50. WIRE 423, P360@12 WAS RSS1@IGN. ADD WIRES 3 & 2. ADD ITEM 94	MKS	SCR 1-26-10	600163
ADDED WIRE #5 FROM RSS1 @ IGN TO P360 @ 2	CP	JWW, 13-FEB-09	80099
WIRE #423, TGS50 @ 3 WAS P360 @ 12	CP	SCR, 18-MAR-09	
REMOVED ITEM 94 FROM BOM REMOVED WIRE #4, CR2-4 TO P360@11 WIRE 361, RKS44@6 WAS @5B WIRE 362, RKS44@4 WAS @2B WIRE #457 ADDED	CP	JW, 10-JUN-08	80050
NO CHANGE THIS SHEET	CP	JW, 10-JUN-08	80050
REMOVED ITEM 5 REMOVED WIRES 396, 397 & 398 ADDED ITEMS 3, 92, 93 & 94 ADDED WIRES 3, 361, 362 & 423 WIRE 5, TGS 50 @ 5 WAS P360 @2	CP	JW, 10-JUN-08	
REMOVED ITEM 77, 188, 189, 190 & 191 TGS44 @ 3 WAS TGS44 @ 3 (WIRE 396) TGS44 @ 1 WAS TGS44 @ 3 (WIRE 397)	AJB	CP, 03-OCT-07	
NEW ISSUE	JWW	CP, 22-SEP-06	
CHANGE	DRAWN BY: DATE: CHECKED BY: DATE: E.C.O.#		

CUSTOMARY:
ALL DIMENSIONS IN INCHES

IMPLIED TOLERANCES
FRACTION ±.18
X ±.06
XX ±.03
XXX ±.010

THIRD ANGLE PROJECTION

PRODUCT: M7

DESCRIPTION: ASSY, CC RIGHT PANEL

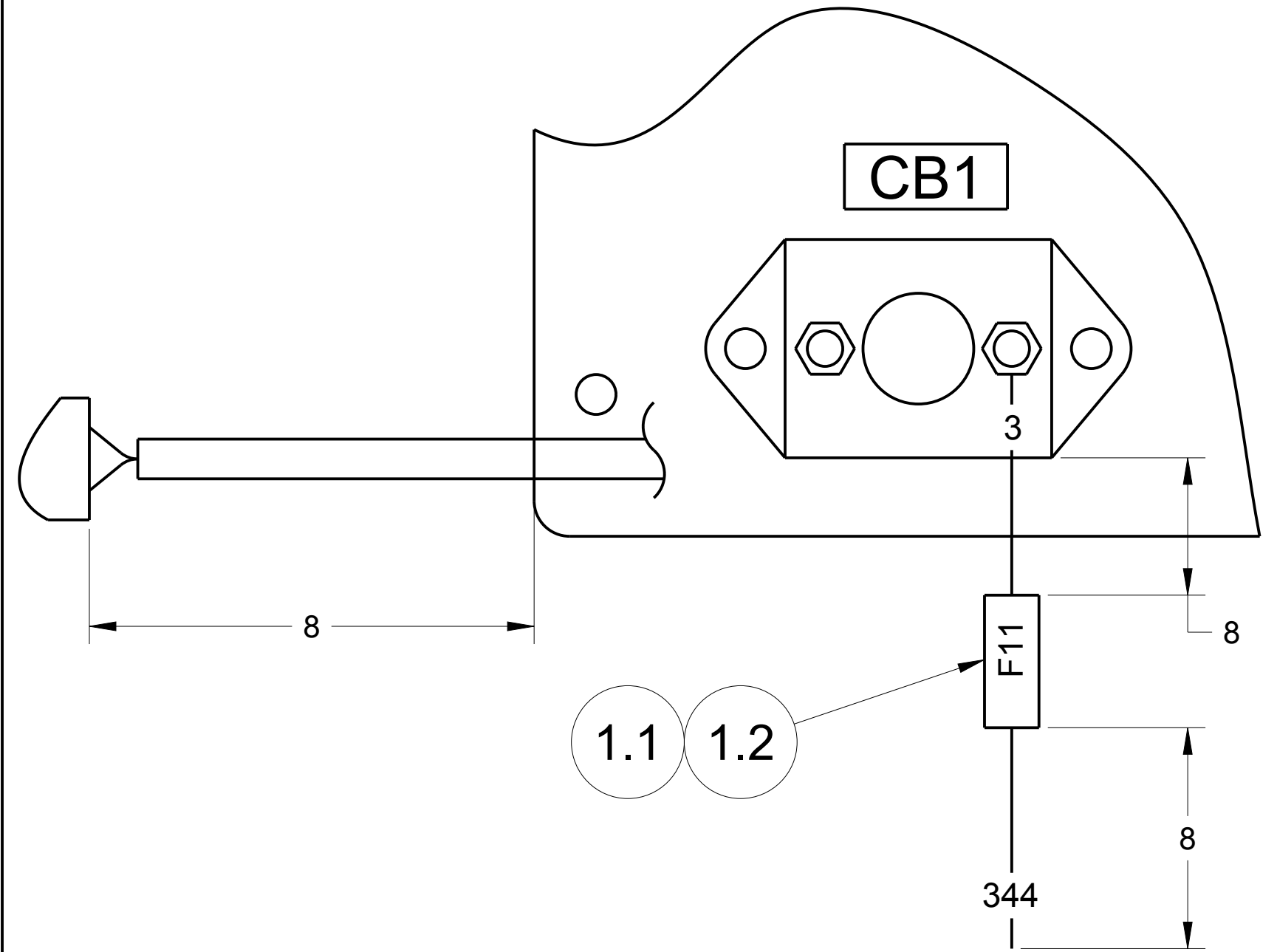
SIZE: D SCALE: 1:1 DRAWING CODE NUMBER: 520215 REV: J

ASSEMBLY: SHEET 2 OF 3

⚠ R01 IN-LINE FUSE

BILL OF MATERIAL					
ADD/REMOVE	ITEM #	PART NUMBER OR MATERIAL	QTY. REQ.	PART NAME	DESIGNATION
ADD	1.1	520287	1	FUSE HOLDER, IN LINE WATERPROOF BUSSMANN #HFB	-
ADD	1.2	520286	1	FUSE, FAST-ACTING 25A BUSSMANN #ABC-25-R	-

WIRE LIST				
ADD/REMOVE	WIRE #	END 1 LOCATION	END 2 LOCATION	DESIGNATION
ADD	3	CB1-3	F11-3	12 AWG RED
ADD	344	F11-345	FREE END	12 AWG RED



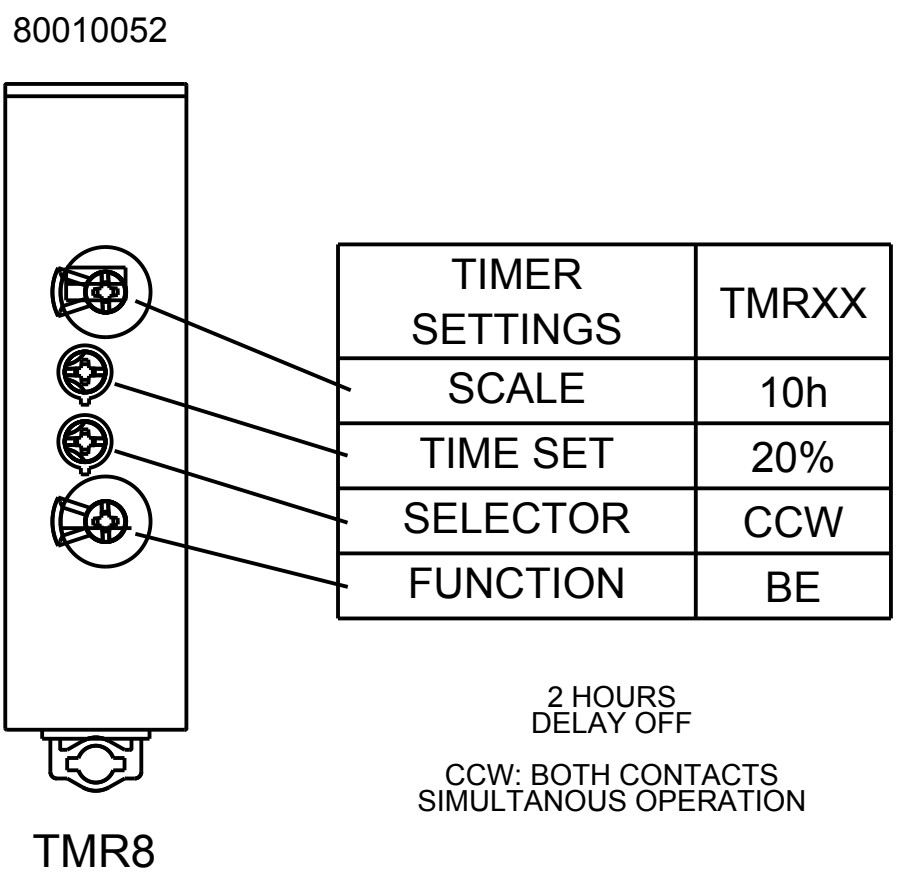
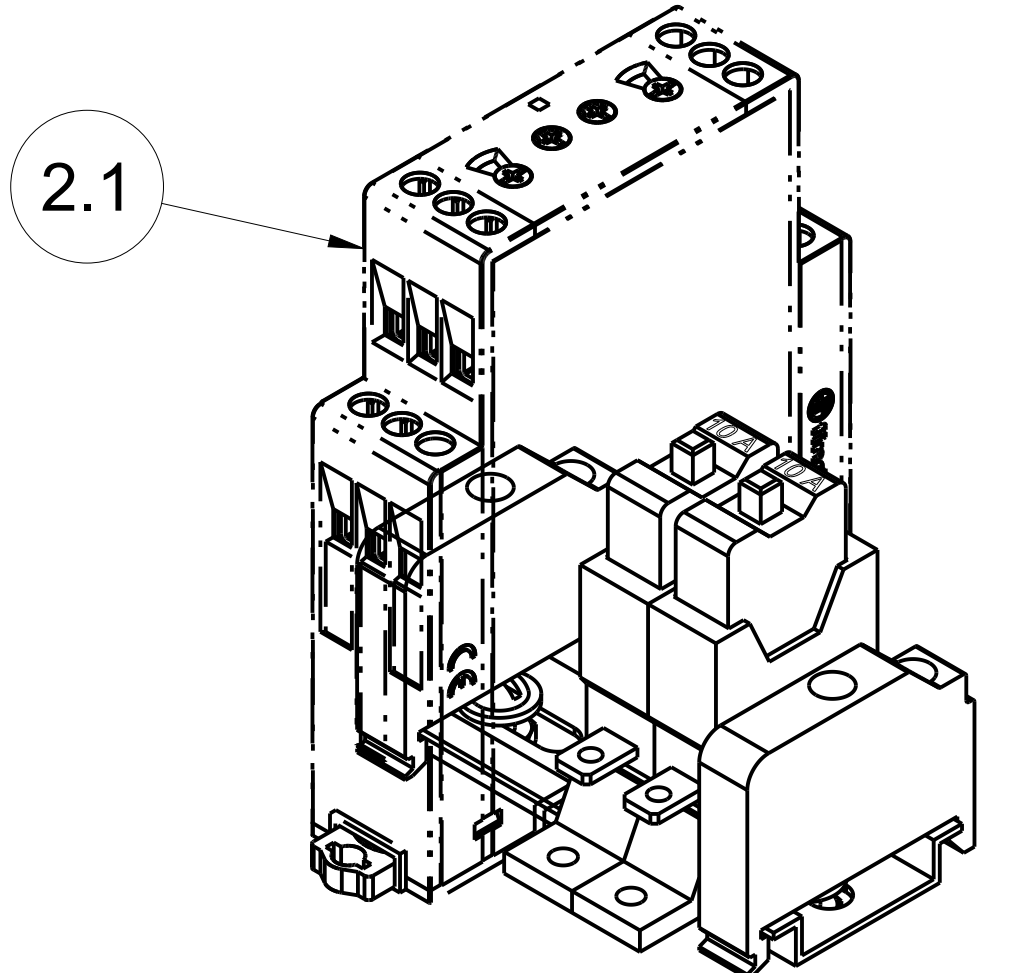
PURPOSE: CIRCUIT PROTECTION FOR 12V CONVERTER. USED UP TO S/N800545. S/N800546 & ABOVE UTILIZE 25A CIRCUIT BREAKER CB70.

MOD. NEEDS	COMPONENT ADD	COMPONENT SUBTRACT	BOX MOD	WIRE SUBTRACT	WIRE ADD
	<input checked="" type="checkbox"/>	<input type="checkbox"/>	<input type="checkbox"/>	<input type="checkbox"/>	<input checked="" type="checkbox"/>

⚠ R02 RADIO TIMER

BILL OF MATERIAL					
ADD/REMOVE	ITEM #	PART NUMBER OR MATERIAL	QTY. REQ.	PART NAME	DESIGNATION
ADD	2.1	80010052	1	TIMER, DPDT, MODULAR MULTIFUNC FINDER #83.02.0.240	TMR8

WIRE LIST				
ADD/REMOVE	WIRE #	END 1 LOCATION	END 2 LOCATION	DESIGNATION
ADD	2	CR1-2	TMR8@A2	16 AWG GREEN
ADD	5	TGS50@2	TMR8@B1	16 AWG RED
ADD	344	TMR8@18	TMR8@28	14 AWG BLACK
ADD	462	CB71-462	TMR8@15	14 AWG RED
ADD	462	TMR8@15	TMR8@25	16 AWG RED
ADD	462	TMR8@25	TMR8@A1	16 AWG RED



PURPOSE: TO ALLOW THE OPERATOR TO USE THE RADIO FOR 2 HOURS AFTER THE IGNITION SWITCH IS TURNED OFF WITHOUT DRAINING THE BATTERY ON OTHER DEVICES.

MOD. NEEDS	COMPONENT ADD	COMPONENT SUBTRACT	BOX MOD	WIRE SUBTRACT	WIRE ADD
	<input checked="" type="checkbox"/>	<input type="checkbox"/>	<input type="checkbox"/>	<input type="checkbox"/>	<input checked="" type="checkbox"/>

CUSTOMARY: ALL DIMENSIONS IN INCHES					
IMPLIED TOLERANCES		PRODUCT: M7			
FRACTION	± .18	DESCRIPTION: ASSY, CC RIGHT PANEL			
X	± .06				
XX	± .03				
XXX	± .010				
REV	CHANGE	DATE	CHECKED BY:	DATE	E.C.O.#
			600910		
SHEET ADDED FOR MODS		SWA	DATE		PLANE ANGLES 45-90°
		03-21-13			
DRAWN BY:		APPROVED BY:		DATE	DATE
SIZE		SCALE	DRAWING CODE NUMBER		REV.
D		1:1	520215		J
ASSEMBLY:-				SHEET 3	OF 3

REV	CHANGE	DATE	CHECKED BY:	DATE	E.C.O.#
			600910		

41 43 46 47 48

41 45 46 47 48

65 97

61 64 60

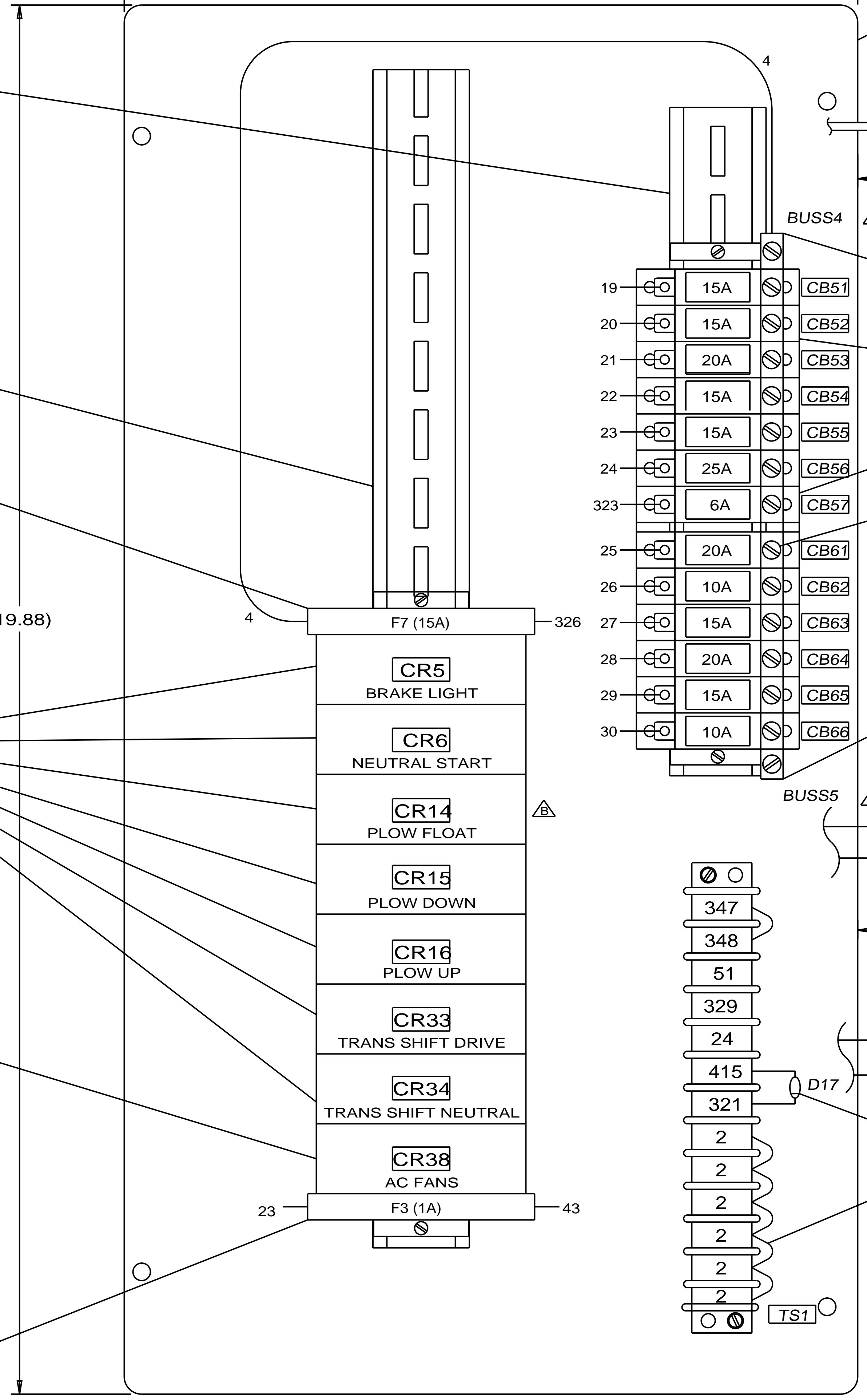
61 64 198

65 66

NOTES
 1. 7 POSITION REQUIRED, BUSS5
 2. 8 POSITION REQUIRED, BUSS4

(19.88)

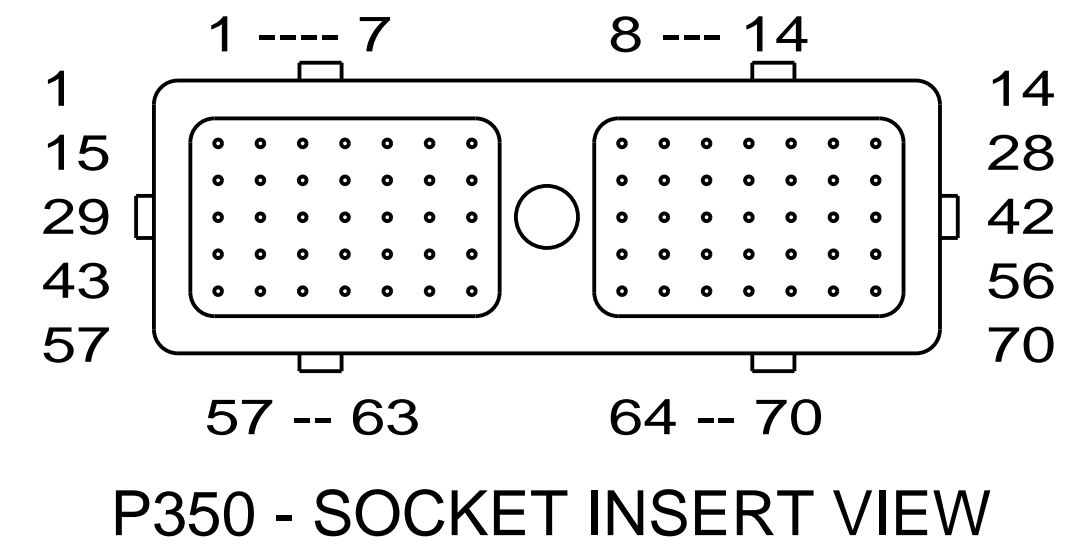
(10.50)



P351

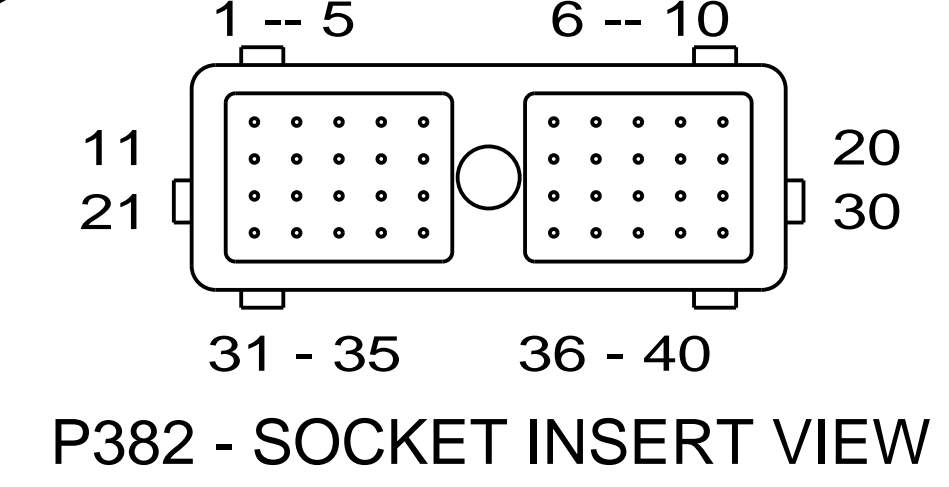
ITEM 51: SEE NOTE #2

ITEM 51: SEE NOTE #1



105 126

104 130



S/N 800304 & UP

31
9 10
11
12
57

ADDED BUSS4 & BUSS5 ON PANEL AND IN NOTE	BJB	4-16-10	600223
P351 - DELETED ITEMS 142, 151, 153 & ADDED ITEM 178 & 2 MORE WIRES.	MKS	03-FEB-10	600185
ADDED CIRCUIT RELAY DESCRIPTIONS	MKS	SCR 26-JAN-10	600163
ITEMS 97, 198 & (1x) 65 ADDED	CP	JWW 08-DEC-08	80050
NEW ISSUE	CP	SCR 25-MAR-09	
MF REV	CHANGE	DRAWN BY: DATE:	CHECKED BY: DATE:
		E.C.O. #	PLANE ANGLES +/- 1°

CUSTOMARY: ALL DIMENSIONS IN INCHES	Oshawa	THIRD ANGLE PROJECTION
IMPLIED TOLERANCES	PRODUCT: M7	DESCRIPTION:
FRACTION: 1/8 .X : .06 .XX : .03 .XXX : .010	ASSY, CC LEFT PANEL	
SIZE: D	SCALE: 1:1	DRAWING CODE NUMBER: 520289
ASSEMBLY: -		SHEET 1/3

NO. 520289

SHEET NO. 2/3

ALL INFORMATION CONTAINED ON THIS DRAWING IS CONSIDERED TO BE BOTH CONFIDENTIAL AND PROPRIETARY BY NORDCO INC. NO USE OR REPRODUCTION THEREOF MAY BE MADE WITHOUT THE EXPRESS WRITTEN CONSENT OF NORDCO INC.

BILL OF MATERIALS

NOTES:

- 1. USE CABLE TIES, ITEM 185, AS REQUIRED.
- 2. ALL WIRES TO BE IDENTIFIED WITH WIRE MARKERS AT BOTH ENDS. MARKERS ARE TO BE APPLIED ON WIRE, NOT ON TERMINALS.
- 3. ALL WIRE SIZES AND CONNECTIONS TO BE PER WIRE CONNECTION LIST.
- 4. ROUTING OF THE WIRES TO ALLOW ACCESS TO INSIDE COMPONENTS AND FREE MOVEMENT OF THE PANEL. ALL WIRES AND DEVICES TO BE NO CLOSER THAN 1" TO ANY OUTSIDE EDGE OF THE PANEL.
- 5. ALL MOUNTING HARDWARE TO BE ORIENTED WITH THE BOLT HEADS ON THE OUTSIDE OF THE PANEL.
- 6. ALL COMPONENT IDENTIFICATIONS SHOWN BOXED ARE TO BE LABELLED WITH TEXT SHOWN.
- 7. APPLY HEAT SHRINK MATERIAL OVER ALL DIODES AND CAPACITORS (INDIVIDUALLY) TO ELIMINATE ANY BARE WIRES. LABEL WIRES ON ANODE SIDE OF EACH DIODE AS CLOSE AS POSSIBLE TO HEAT SHRINK.
- 8. WIRES TO BE STRANDED COPPER OF INDICATED GAUGE, GXL, SXL TYPE OR APPROVED EQUIVALENT.
- 9. ALL WIRE TO HAVE A TERMINAL CRIMPED TO ENDS. NO BARE WIRE CONNECTIONS TO COMPONENTS. AT POINTS WHERE 2 WIRES ARE AT ONE CONNECTION, CRIMP IN SAME TERMINAL, BUT USE TERMINAL ONE SIZE LARGER TO ACCOMODATE BOTH WIRES. NO MORE THAN 2 WIRES ARE ALLOWED PER CRIMPED TERMINAL.
- 10. FOR CUSTOMER OPTIONS SEE DRAWING 520218.
- 11. CONNECTORS TO BE IN APPROXIMATE LOCATIONS SHOWN.

ITEM NO.	PART NUMBER OR MATERIAL	QTY. REQ.	PART DESCRIPTION	DESIGNATION
1	700381	1	PANEL, CENTER CONSOLE LEFT	
9	76484503	1	TERMINAL STRIP CINCH #16-140 TB2	TS1
10	2837349	2	SCREW, RD. HD. MACHINE #6-32 x 3/4 LG	
11	3048028	2	NUT, HEX MACHINE SCREW #6-32	
12	3064452	2	WASHER, SPRING LOCK #6	
31	29680018	1	DIODE, #1N5624	D17
36	5128935	2	CIRCUIT BREAKER 10A ETA #1170-02-10A	CB62,66
37	5128936	6	CIRCUIT BREAKER 15A ETA #1170-02-15A	CB51,52,54 55,63,65
38	5128937	3	CIRCUIT BREAKER 20A ETA #1170-02-20A	CB53,61,64
39	5128938	1	CIRCUIT BREAKER 25A ETA #1170-02-25A	CB56
△	41	5158448	5 END CLAMP, SQUARE D #9080MH10	
43	81941108	1	RAIL, RELAY MOUNTING, SQUARE D #9080MH339, CUT TO 8"	
45	81941118	1	RAIL, RELAY MOUNTING, SQUARE D #9080MH339, CUT TO 18"	
46	2837613	5	SCREW, RD HD MACHINE #10-24 X 3/8" LG	
47	3048040	5	NUT, HEX MACHINE #10-24	
48	3064458	5	WASHER, SPRING LOCK #10	
49	53110007	2	FUSE PANEL ETA #12-J20-60	
51	5104995	2	BAR, BUSS, 13 POSITION ETA #Y30356311-13A	BUSS4,BUSS5 △
52	31403662	2	INSULATOR, BUSS BAR ETA #Y30382410	
57	5159050	AR	JUMPER CURTIS #140J1 OR EQUIV.	
△	60	61231261	7 RELAY, DPDT FINDER #40.52.9.024000	CR5,6,14,15, 16,33&34
61	5155168	8	SOCKET, RELAY FINDER #95.05	
64	61231274	8	MODULE, INDICATOR FINDER #99.02.0.024.59	
△	65	5138100	2 FUSE HOLDER ALLEN-BRADLEY	
66	5129204	1	FUSE, 1A, 1/4 X 1-1/4 BUSSMANN AGC-1	F3
95	5128933	1	CIRCUIT BREAKER 6A ETA #1170-02-6A	CB57
96		1	FUSE PANEL ETA #12-J20	
△	97	5129215	1 FUSE 15A, 1/4 x 1-1/4 BUSSMAN	F7
104	5166841	1	RECEPTACLE, 40-PIN DEUTSCH #DRC-14-40PA	P382
105	5166850	1	PLUG, 70-SOCKET DEUTSCH #DRC-16-70SA	P350
126	5166798	AR	SOCKET, 16 GA DEUTSCH #0462-201-16141	
130	5166791	AR	PIN, 14-16 GA DEUTSCH #0460-215-16141	P382
△	142			P351
△	151			
△	178	5164299	4 CONNECTOR, #8 I-RING 14 - 16 GA.	
△	198	61231262	1 RELAY, 16 AMP FINDER #40.61.9.024000	CR38

S/N 800304 & UP

CUSTOMARY: ALL DIMENSIONS IN INCHES		Oshawa Nordco		THIRD ANGLE PROJECTION	
IMPLIED TOLERANCES		PRODUCT: M7			
FRACTION : 1/8		DESCRIPTION: ASSY, CC LEFT PANEL			
.XX : .06		SIZE		SCALE	
.XXX : .010		DRAWING CODE NUMBER		REV.	
250/ MACHINER FINISH UNLESS OTHERWISE STATED		D 1:1		520289 D	
MP	REV	CHANGE	DRAWN BY: DATE:	CHECKED BY: DATE:	E.C.O. #
ASSEMBLY: -		SHEET 2/3			

CONNECTION LIST

WIRE DESCRIPTION	END 1 LOCATION	END 2 LOCATION	WIRE #
16 AWG GREEN	P350 @ 6	TS1 - 2	2
16 AWG GREEN	P350 @ 12	TS1 - 2	2
14 AWG GREEN	P350 @ 15	TS1 - 2	2
14 AWG GREEN	P350 @ 17	TS1 - 2	2
14 AWG GREEN	P350 @ 19	TS1 - 2	2
14 AWG GREEN	P350 @ 21	TS1 - 2	2
16 AWG GREEN	P350 @ 27	TS1 - 2	2
14 AWG GREEN	P350 @ 29	TS1 - 2	2
16 AWG GREEN	P350 @ 40	TS1 - 2	2
14 AWG GREEN	P350 @ 46	TS1 - 2	2
16 AWG GREEN	CR5 @ A2	TS1 - 2	2
16 AWG GREEN	CR6 @ A2	CR5 @ A2	2
16 AWG GREEN	CR14 @ A2	CR6 @ A2	2
16 AWG GREEN	CR15 @ A2	CR14 @ A2	2
16 AWG GREEN	CR16 @ A2	CR15 @ A2	2
16 AWG GREEN	CR33 @ A2	CR16 @ A2	2
16 AWG GREEN	CR34 @ A2	CR33 @ A2	2
16 AWG GREEN	P350 @ 44	TS1-2	2
16 AWG GREEN	P350 @ 43	TS1-2	2
16 AWG RED	BUSS - 4	F7 - 4	4
14 AWG RED	CB53 - 21	P350 @ 45	21
14 AWG RED	CB54 - 22	CR38 @ 11	22
16 AWG RED	CR38 @ 11	CR38 @ 21	22
16 AWG RED	CB55 - 23	F3 - 23	23
16 AWG RED	F3 - 23	P350 @ 35	23
14 AWG RED	CB56 - 24	TS1 - 24	24
16 AWG RED	TS1 - 24	P351	24
14 AWG RED	TS1 - 24	P350 @ 11	24
16 AWG RED	CB61 - 25	CR5 @ 21	25
16 AWG RED	CR5 @ 21	P350 @ 55	25
16 AWG RED	CB62 - 26	P350 @ 14	26
14 AWG RED	CB63 - 27	P382 @ 30	27
16 AWG RED	CB64 - 28	P382 @ 31	28
16 AWG RED	CB65 - 29	CR16 @ 21	29
16 AWG RED	CR16 @ 21	CR33 @ 21	29
16 AWG RED	CR33 @ 21	P350 @ 20	29
16 AWG RED	CB66 - 30	P350 @ 26	30
16 AWG BLACK	CR6 @ 24	P350 @ 3	39
16 AWG BLACK	P350 @ 49	CR6 @ A1	42
16 AWG BLACK	F3 - 43	P350 @ 48	43
16 AWG BLACK	P351	P350 @ 13	50
16 AWG GREEN	CR38 @ A2	CR34 @ A2	2

WIRE DESCRIPTION	END 1 LOCATION	END 2 LOCATION	WIRE #
16 AWG BLACK	CR5 @ 22	TS1 - 51	51
16 AWG BLACK	TS1 - 51	P382 @ 28	51
16 AWG BLACK	P350 @ 22	CR16 @ A1	80
16 AWG BLACK	P350 @ 23	CR15 @ A1	81
16 AWG BLACK	CR15 @ 22	P350 @ 24	84
16 AWG BLACK	CR16 @ 22	CR14 @ 21	168
16 AWG BLACK	CR38 @ A1	P350 @ 7	196
16 AWG BLACK	P350 @ 58	P350 @ 64	263/426
16 AWG BLACK	P350 @ 57	P350 @ 63	265/425
16 AWG BLACK	P382 @ 4	P382 @ 21	267/432
16 AWG BLACK	P382 @ 3	P382 @ 22	269/431
16 AWG BLACK	P382 @ 2	P382 @ 23	271/430
16 AWG BLACK	P382 @ 1	P382 @ 24	273/429
16 AWG BLACK	P350 @ 25	CR14 @ A1	274
16 AWG BLACK	CR14 @ A1	CR14 @ 24	274
16 AWG BLACK	CR14 @ 24	CR15 @ 21	274
16 AWG BLACK	P350 @ 59	P350 @ 67	289/427
16 AWG BLACK	P350 @ 60	P350 @ 68	291/428
16 AWG BLACK	P382 @ 5	P382 @ 20	295/433
16 AWG BLACK	P382 @ 6	P382 @ 19	297/434
16 AWG BLACK	P382 @ 7	P382 @ 18	299/435
16 AWG BLACK	P382 @ 8	P382 @ 17	301/436
16 AWG BLACK	CR33 @ 24	CR34 @ 21	307
16 AWG BLACK	CR33 @ A1	TS1 - 321	321
16 AWG BLACK	TS1 - 321	P350 @ 31	321
16 AWG BLACK	TS1 - 321	D17 @ CATHODE	321
16 AWG RED	CB57 - 323	P350 @ 39	323
16 AWG BLACK	F7 - 326	P350 @ 52	326
16 AWG BLACK	P350 @ 34	TS1 - 329	329
16 AWG BLACK	TS1 - 329	CR34 @ A1	329
16 AWG BLACK	P350 @ 2	TS1 - 347	347
16 AWG BLACK	TS1 - 347	TS1 - 348	347/348
16 AWG BLACK	TS1 - 348	P350 @ 38	348
14 AWG BLACK	CR38 @ 14	P382 @ 29	369
16 AWG BLACK	P350 @ 1	CR6 @ 21	386
16 AWG BLACK	P350 @ 28	CR5 @ A1	392
16 AWG BLACK	D17 @ ANODE	TS1 - 415	415
16 AWG BLACK	TS1 - 415	CR5 @ 11	415
16 AWG BLACK	TS1 - 415	CR34 @ 22	415
16 AWG BLACK	P350 @ 8	CR5 @ 14	419
16 AWG BLACK	P350 @ 5	P351	461

S/N 800304 & UP

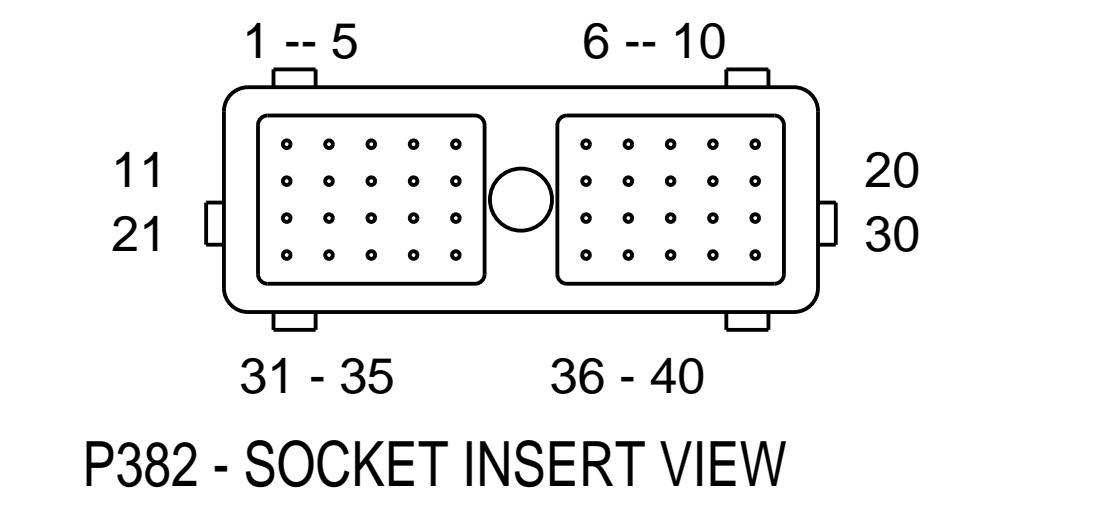
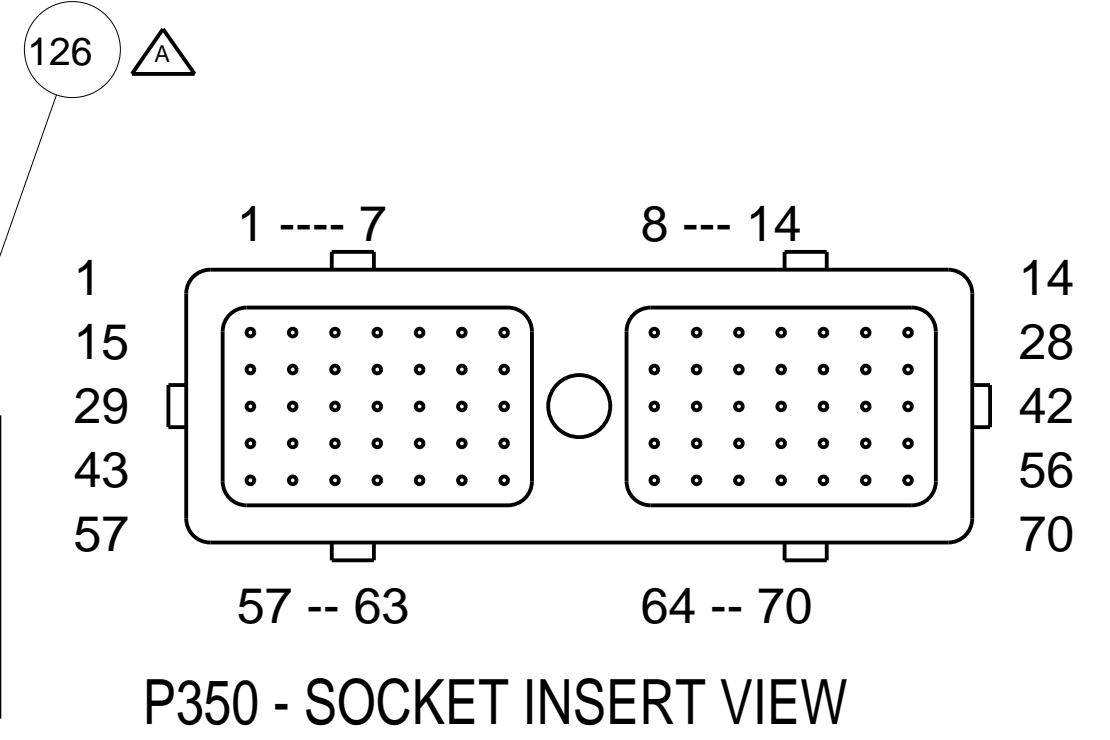
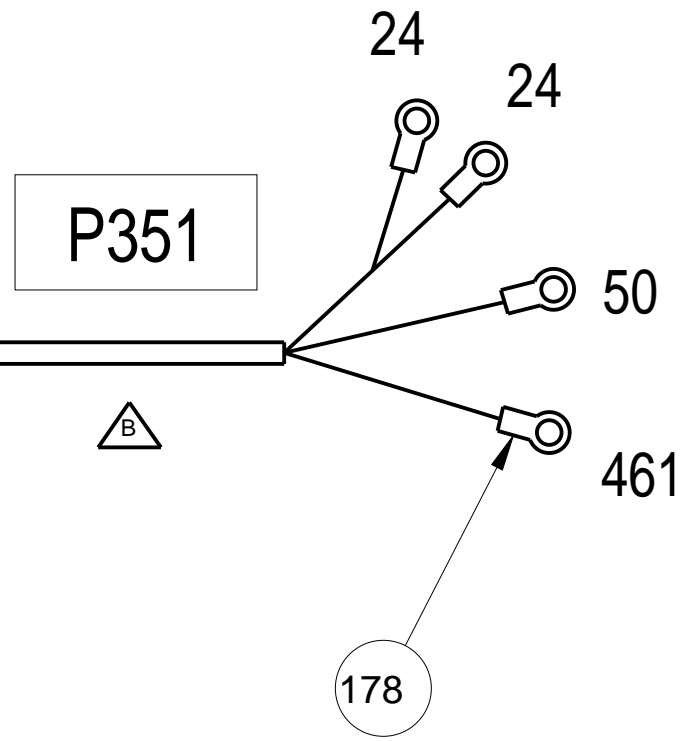
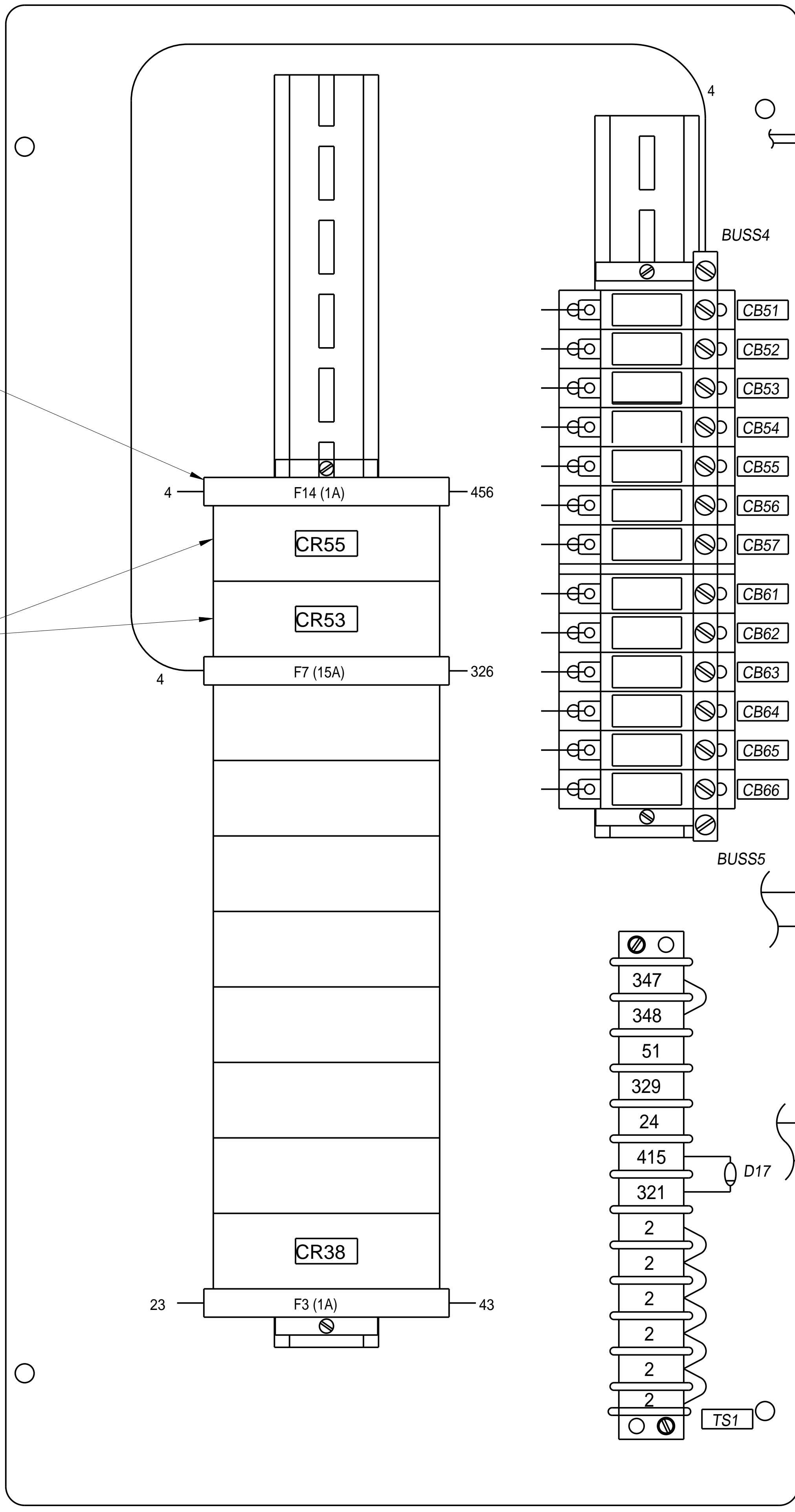
Oshawa THIRD ANGLE PROJECTION		CUSTOMARY: ALL DIMENSIONS IN INCHES PRODUCT: M7	
IMPLIED TOLERANCES FRACTION : 1/8 .X : .06 .XX : .03 .XXX : .010		DESCRIPTION: ASSY, CC LEFT PANEL	
SIZE : D SCALE : 1:1 DRAWING CODE NUMBER : 520289		REV. : D	
250 MACHINER FINISH UNLESS OTHERWISE STATED PLANE ANGLES +/- 1°		ASSEMBLY: - SHEET 3/3	

F7-4 WAS CB57-4 REMOVED WIRE LINE ADDED WIRE LINE BJB 4-16-10 600223	WIRE 23,P350@35 WAS P350@48 WIRE 24,P351 WAS P351@A WIRE 50,P351 WAS P351@B NEW WIRE 461, P350@5 TO P351 MKS 03-FEB-10 600185	WIRE 23,P350@48 WAS P350@35 WIRE 274,CR14@24 WAS CR14@14 WIRE 415,CR34@22 WAS CR34@12 MKS 13-JAN-10 600163	WIRE 4, BUSS-4 TO F7-4 AND WIRE 326 ADDED CP 03-DEC-08 80050	NEW ISSUE CP 09-MAY-08 -
--	---	--	--	--------------------------------

65 66

64 61 60

- NOTES: (APPLY TO ALL MODIFICATIONS)
1. ALL WIRES TO BE IDENTIFIED WITH WIRE MARKERS AT BOTH ENDS. MARKERS ARE TO BE APPLIED ON WIRE, NOT ON TERMINALS.
 2. ALL WIRE SIZES AND CONNECTIONS TO BE PER WIRE CONNECTION LIST.
 3. ROUTING OF WIRES TO ALLOW ACCESS TO INSIDE COMPONENTS AND FREE MOVEMENT OF THE PANEL. ALL WIRES AND DEVICES TO BE NO CLOSER THAN 1" TO ANY OUTSIDE EDGE OF THE PANEL.
 4. ALL MOUNTING HARDWARE TO BE ORIENTED WITH THE BOLT HEADS ON THE OUTSIDE OF THE PANEL.
 5. APPLY HEAT SHRINK MATERIAL OVER ALL DIODES AND CAPACITORS (INDIVIDUALLY) TO ELIMINATE ANY BARE WIRES. LABEL WIRES ON ANODE SIDE OF EACH DIODE AS CLOSE AS POSSIBLE TO HEAT SHRINK.
 6. WIRES TO BE STRANDED COPPER OF INDICATED GAUGE, GXL, SXL TYPE OR APPROVED EQUIVALENT.
 7. ALL WIRE TO HAVE A TERMINAL CRIMPED TO ENDS. NO BARE WIRE CONNECTIONS TO COMPONENTS. AT POINTS WHERE 2 WIRES ARE AT ONE CONNECTION, CRIMP IN SAME TERMINAL, BUT USE TERMINAL ONE SIZE LARGER TO ACCOMODATE BOTH WIRES. NO MORE THAN 2 WIRES ARE ALLOWED PER CRIMPED TERMINAL.



S/N 800304 & UP

REV	CHANGE	DRAWN BY:	CHECKED BY:	DATE:	E.C.O.#

CUSTOMARY: ALL DIMENSIONS IN INCHES

IMPLIED TOLERANCES

FRACTION	± .18
.X	± .06
.XX	± .03
.XXX	± .010

INCHES FINISH UNLESS OTHERWISE STATED

PLANE ANGLES ±.1°

THIRD ANGLE PROJECTION

PRODUCT: M7

DESCRIPTION: DRAWING, DISTRIBUTION PANEL MODS

SIZE	SCALE	DRAWING CODE NUMBER	REV.
D	NTS	520218	B

ASSEMBLY: SHEET 1 OF 2

520289 M01				
COMPONENT ADD				
ROTATIONAL WINGS NON-ARTICULATED TEMPLATE DOORS				
ITEM NO	PART NUMBER OR MATERIAL	QTY REQ	PART NAME	DESIGNATION
60	61231261	2	RELAY, DPDT FINDER #40.52.9.024000	CR53, CR55
61	5155168	2	SOCKET, RELAY DPDT FINDER #95.05	
64	61231274	2	MODULE, INDICATOR FINDER #99.02.0.024.59	
126	5166798	14	SOCKET, 16 GA DEUTSCH #0460-201-16141	P350
178	5164299	4	CONNECTOR, #8 I-RING 14 - 16 GA.	P351

- WIRE SUBTRACT -			
WIRE DESCRIPTION	END 1 LOCATION	END 2 LOCATION	WIRE #
16 AWG BLACK	P350 @ 58	P350 @ 64	263/426
16 AWG BLACK	P350 @ 57	P350 @ 63	265/425
16 AWG BLACK	P350 @ 59	P350 @ 67	289/427
16 AWG BLACK	P350 @ 60	P350 @ 68	291/428

- WIRE ADD -							
WIRE DESCRIPTION	END 1 LOCATION	END 2 LOCATION	WIRE #	WIRE DESCRIPTION	END 1 LOCATION	END 2 LOCATION	WIRE #
16 AWG GREEN	CR53 @ A2	CR55 @ A2	2	16 AWG BLACK	P350 @ 59	CR55 @ 11	289
16 AWG GREEN	CR55 @ A2	TS1 @ 2	2	16 AWG BLACK	P350 @ 60	CR55 @ 21	291
16 AWG BLACK	P350 @ 61	CR53 @ A1	258	16 AWG BLACK	CR55 @ 14	P350 @ 69	293
16 AWG BLACK	CR53 @ 14	P350 @ 65	259	16 AWG BLACK	CR55 @ 24	P350 @ 70	294
16 AWG BLACK	CR53 @ 24	P350 @ 66	261	16 AWG BLACK	CR53 @ 12	P350 @ 63	425
16 AWG BLACK	P350 @ 58	CR53 @ 21	263	16 AWG BLACK	CR53 @ 22	P350 @ 64	426
16 AWG BLACK	P350 @ 57	CR53 @ 11	265	16 AWG BLACK	CR55 @ 12	P350 @ 67	427
16 AWG BLACK	P350 @ 62	CR55 @ A1	288	16 AWG BLACK	CR55 @ 22	P350 @ 68	428

MOD NEEDS	COMPONENT ADD <input checked="" type="checkbox"/>	COMPONENT SUBTRACT <input type="checkbox"/>	PANEL MOD <input type="checkbox"/>	WIRE ADD <input checked="" type="checkbox"/>	WIRE SUBTRACT <input checked="" type="checkbox"/>
-----------	---	---	------------------------------------	--	---

520289 M03				
COMPONENT ADD				
CUMMINS ENGINE				
ITEM NO	PART NUMBER OR MATERIAL	QTY REQ	PART NAME	DESIGNATION
65	5138100	1	FUSE NOLDER ALLEN-BRADLEY	F14
66	5129204	1	FUSE, 1A 1/4 X 1-1/4 BUSSMANN AGC-1	

- WIRE ADD -			
WIRE DESCRIPTION	END 1 LOCATION	END 2 LOCATION	WIRE #
16 AWG RED	F7-4	F14-4	4
16 AWG BLACK	F14-456	P350 @ 4	456

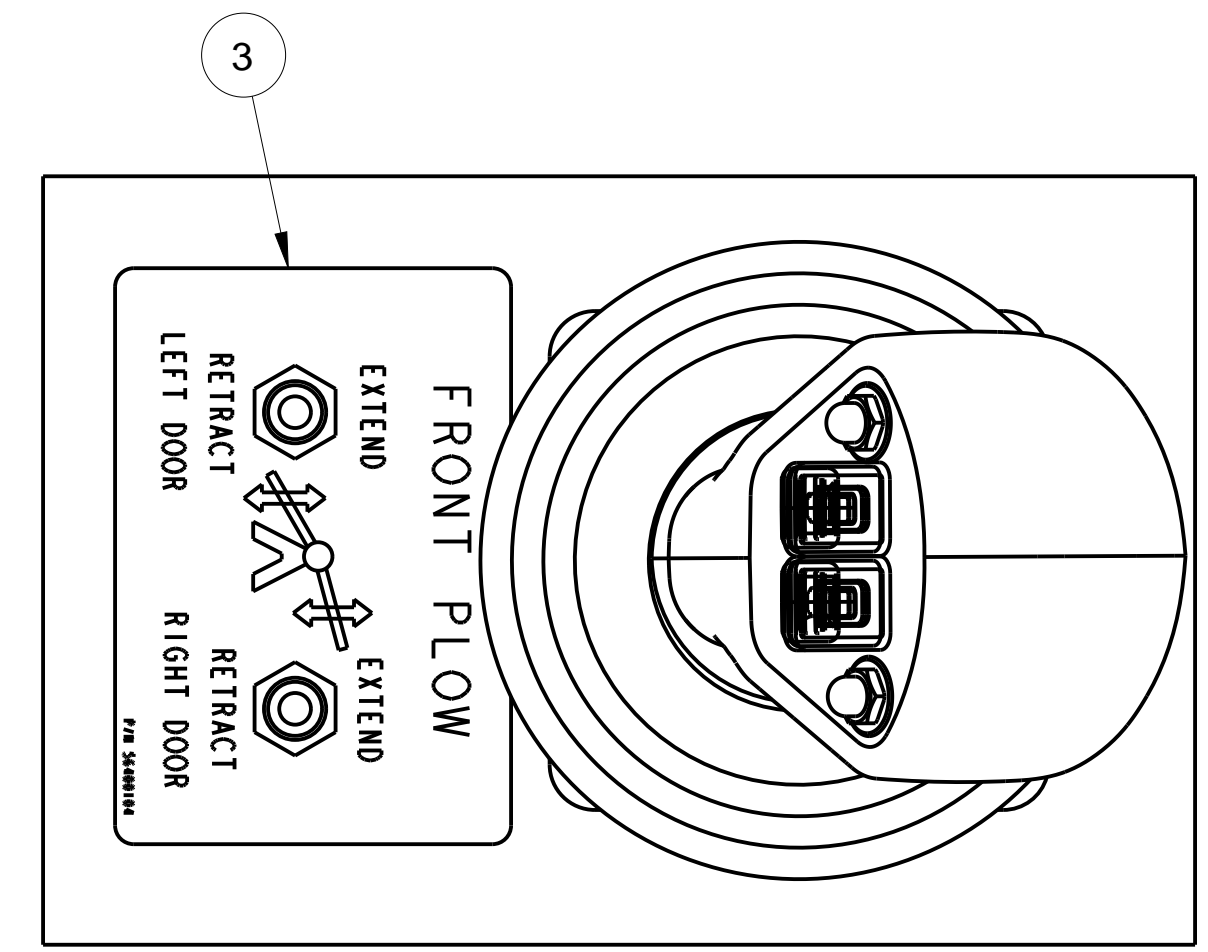
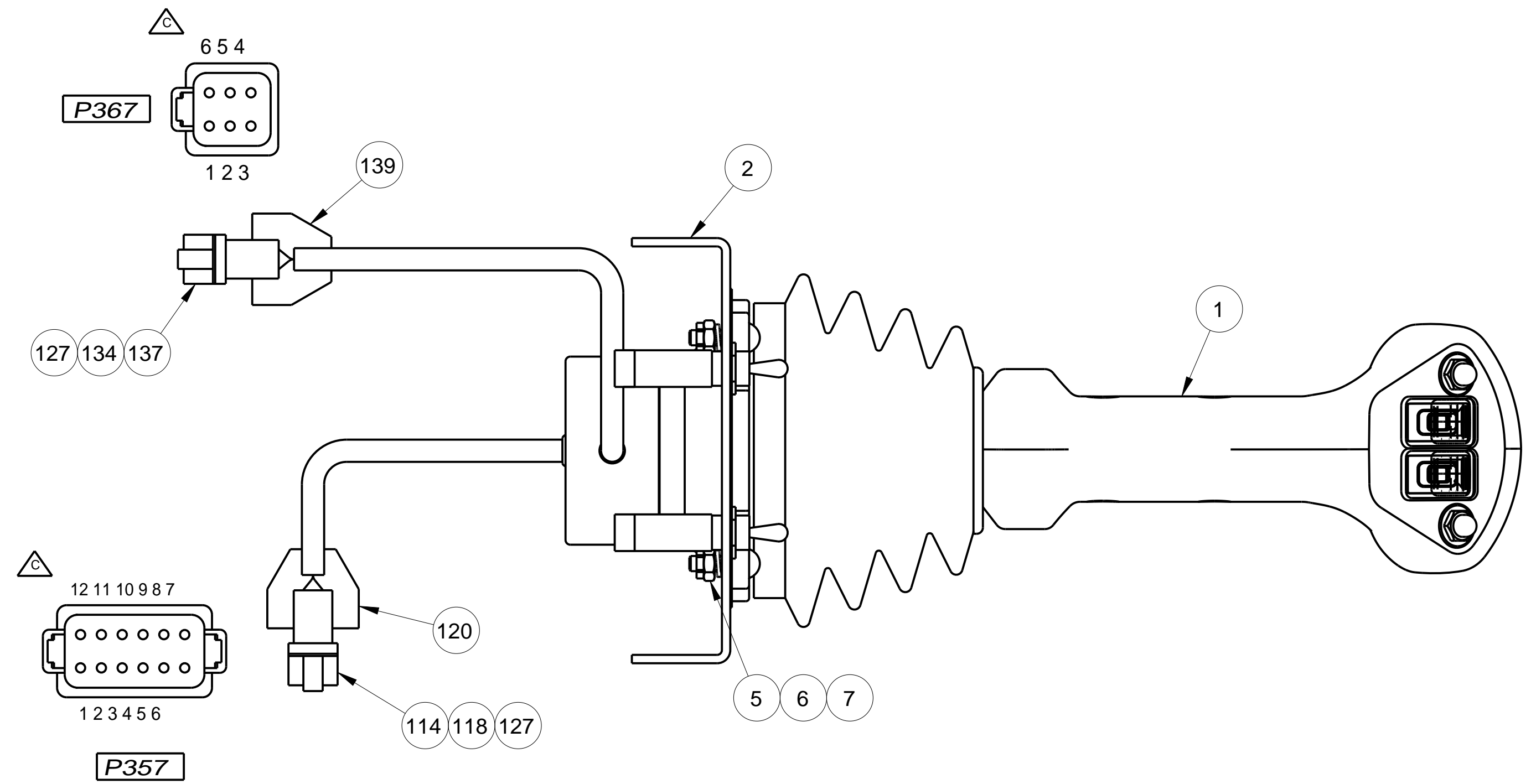
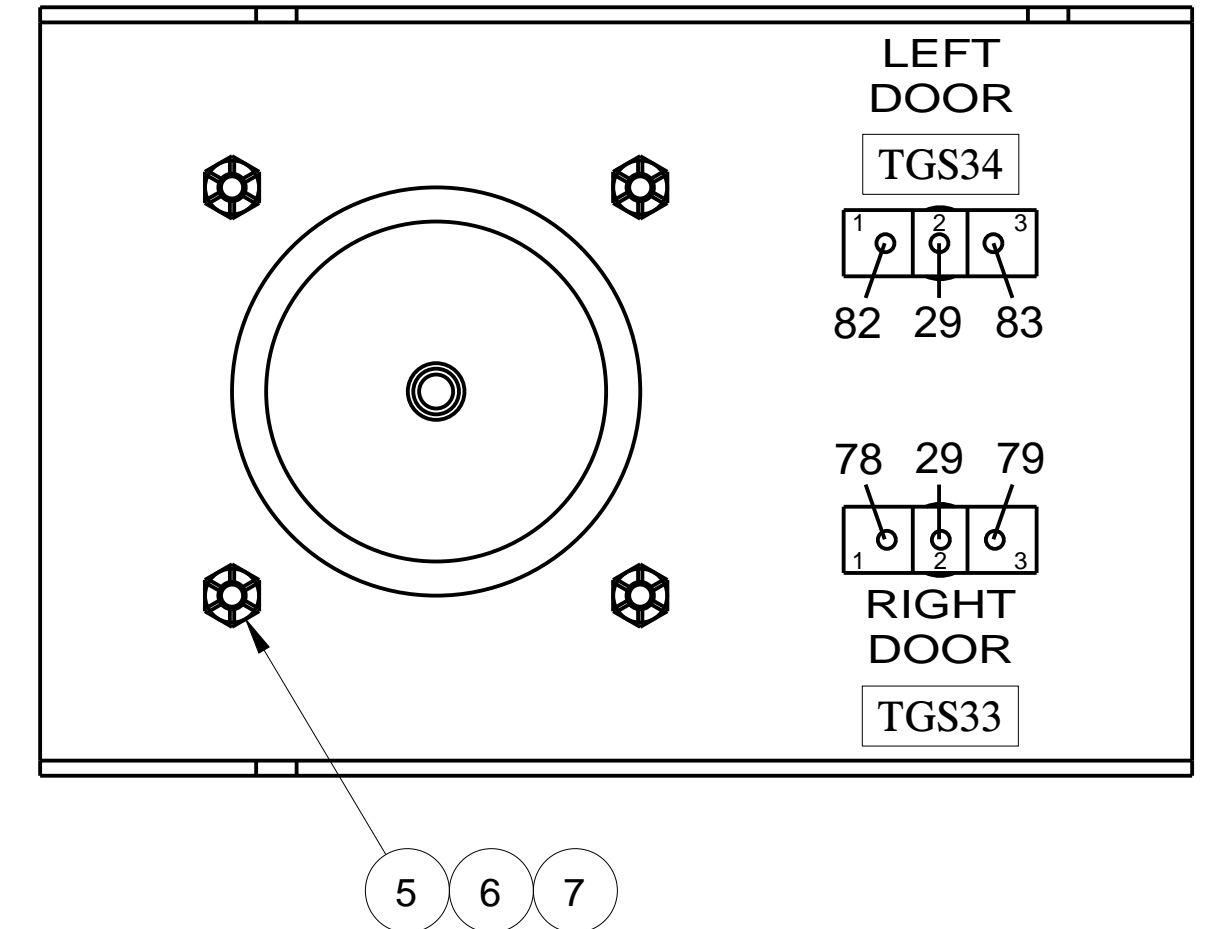
MOD NEEDS	COMPONENT ADD <input checked="" type="checkbox"/>	COMPONENT SUBTRACT <input type="checkbox"/>	PANEL MOD <input type="checkbox"/>	WIRE ADD <input checked="" type="checkbox"/>	WIRE SUBTRACT <input type="checkbox"/>
-----------	---	---	------------------------------------	--	--

CUSTOMARY: ALL DIMENSIONS IN INCHES		PRODUCT: M7	
IMPLIED TOLERANCES FRACTION .X ± .18 .XX ± .06 .XXX ± .03 .XXXX ± .010		DESCRIPTION: DRAWING, DISTRIBUTION PANEL MODS	
NO CHANGE THIS SHEET BJB 4-16-10 600223		DRAWING CODE NUMBER: 520218	
REMOVED 520289 M02 ADDED 520289 M03 CP 12-6-08 80050		SCALE: D NTS	
NEW ISSUE CP 5-21-08		SHEET 2 OF 2	
DATE: _____ DRAWN BY: _____ CHECKED BY: _____ DATE: _____	DATE: _____ DATE: _____ DATE: _____	E.C.O.# _____ PLANE ANGLES ±.1°	ASSEMBLY: _____

BILL OF MATERIALS				
ITEM NO.	PART NUMBER OR MATERIAL	QTY. REQ.	DWG. SIZE	PART NAME
1	520209	1		JOYSTICK
2	700385	1		PLATE, JOYSTICK MOUNT
3	56400104	1		PLAQUE, EXT-RET FRONT PLOW
4	-	-		-
5	2837631	4		RND HD MS, #10-24 X .750
6	3064458	4		LOCKWASHER, #10
7	3042011	4		HEX LOCKNUT #10-24 UNC
114	5166812	1		RECEPTACLE, 12 PIN (DEUTSCH #: DT04-12P)
118	5112932	1		LOCKING WEDGE, 12 PIN (DEUTSCH #: W12P)
120	520253	1		BOOT, 12 PIN (DEUTSCH #: DT12P-BT)
127	5166797	18		PIN, 16 GA. (DEUTSCH #: 0406-202-16141)
134	5166806	1		RECEPTACLE, 6 PIN (DEUTSCH #: DT04-06P)
137	5112926	1		LOCKING WEDGE, 6 PIN (DEUTSCH #: W6P)
139	19891526	1		BOOT, 6 PIN (DEUTSCH #: DT6P-BT)

CONNECTION DETAILS FOR P367.			
PIN	WIRE No.	WIRE DESCRIPTION	COLOR
1	382	WING UP/DOWN SIGNAL	BLUE
2	400	WING UP/DOWN ENABLE	GREEN
3	384	WING IN/OUT SIGNAL	WHITE
4	401	WING IN/OUT ENABLE	BROWN
5	385	JOYSTICK ENABLE	RED
6	2	GROUND	BLACK

THESE 2 DOOR SWITCHES ARE PART OF SEAT/JOYSTICK HARNESS AND SHOWN HERE FOR REFERENCE ONLY.



- NOTES:
1. JOYSTICK IS SUPPLIED WITH APPROXIMATELY 24" OF 18 GA. COLOR CODED WIRE.
 2. ALL PLUG ENDS ARE TO BE LABELED WITH THEIR INDIVIDUAL I.D. NUMBER (EXAMPLE: P123) SHOWN NEAR EACH PLUG/CONNECTOR.

CONNECTION DETAILS FOR P357.			
PIN	WIRE No.	WIRE DESCRIPTION	COLOR
1	273	FRONT TEMP DOOR, IN	BLUE
2	271	FRONT TEMP DOOR, OUT	WHITE
3	269	REAR TEMP DOOR, IN	GREEN
4	267	REAR TEMP DOOR, OUT	BROWN
5	265	OUTER DOOR TILT, IN	PURPLE
6	263	OUTER DOOR TILT, OUT	YELLOW
7	258	TRIGGER	ORANGE
8	385	JOYSTICK ENABLE	RED
9	2	GROUND	BLACK/WHITE
10			
11			
12			

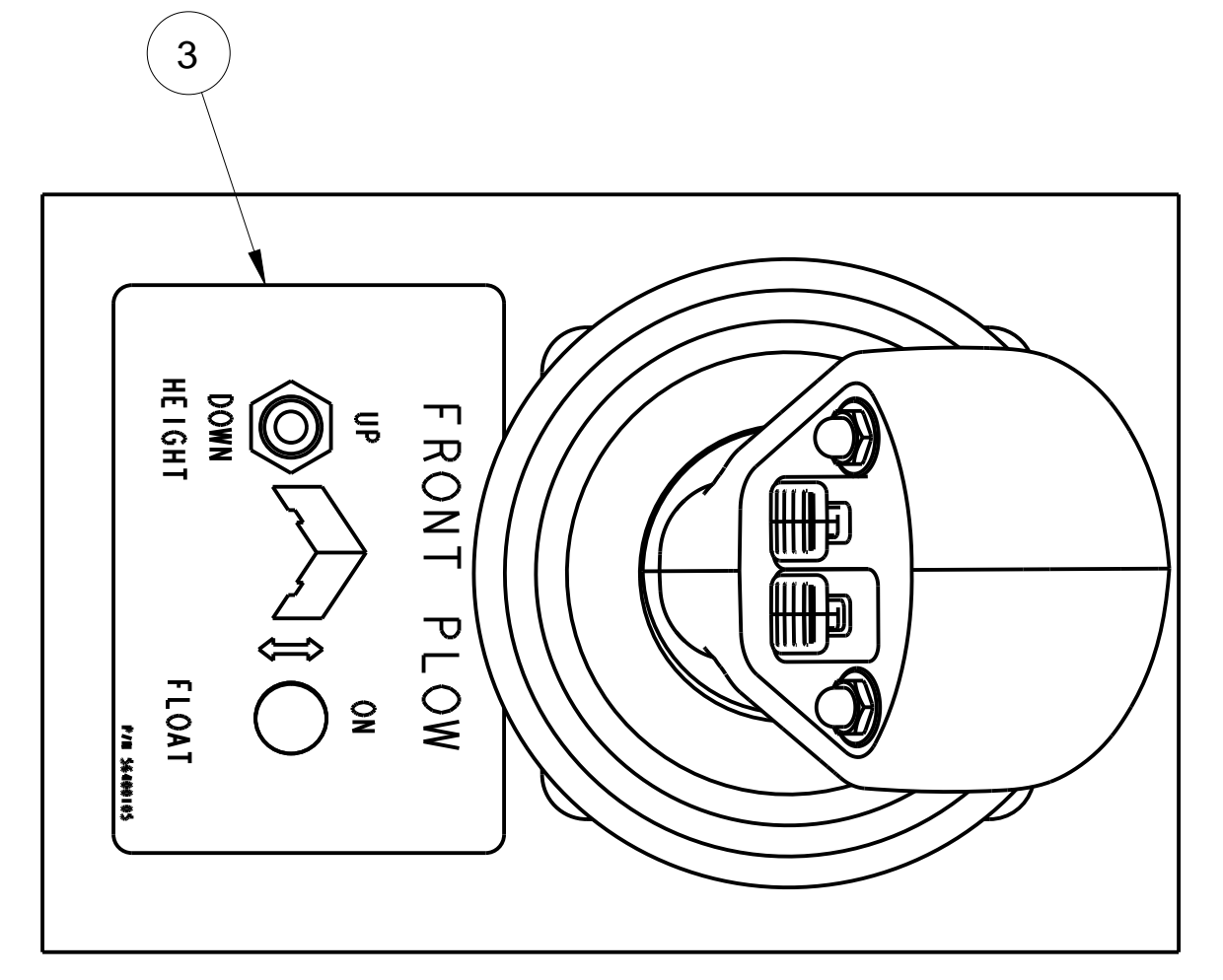
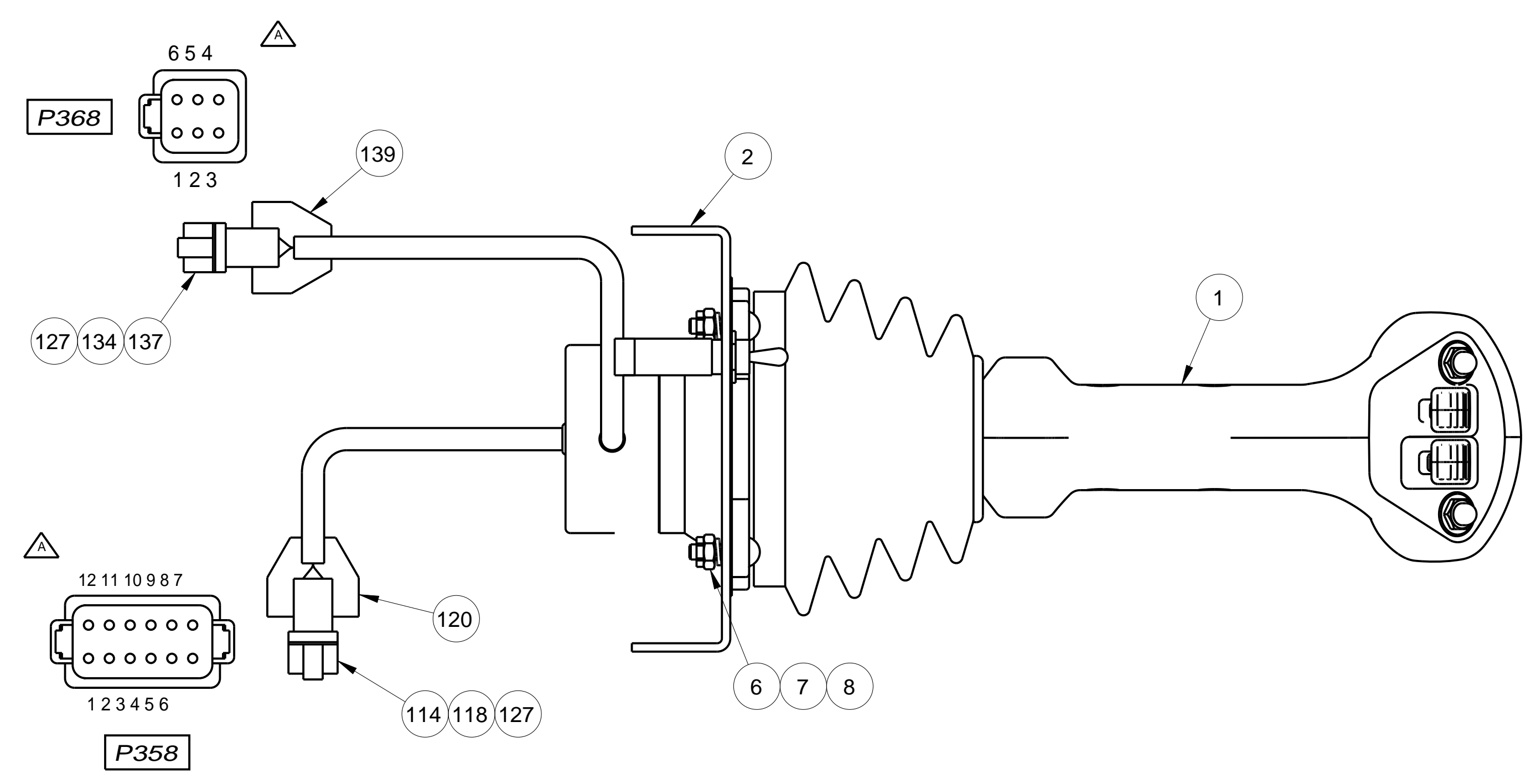
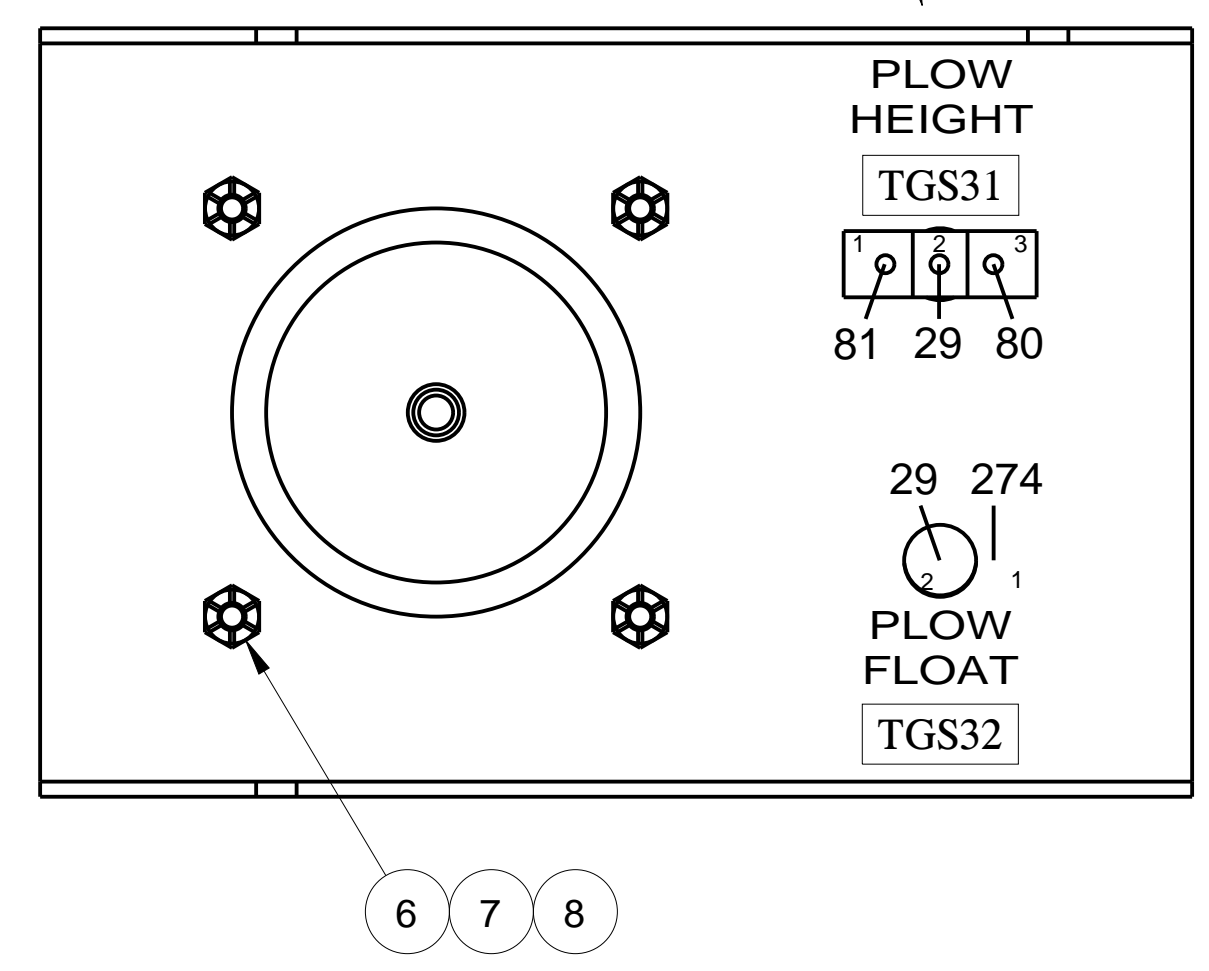
SUPERSEDES PORTION OF DRAWING 460350

REVERSED ORDER OF TOP PLUG POS ON P357, P367, P367 GRN WIRE WAS ORG.		MKS 11-Nov-10		600317	
NEW ISSUE		DLS 19-Aug-09		600134	
DRAWN BY: DATE:	CHECKED BY: DATE:	DATE:	E.C.O.#	PLANE ANGLES +/- 1°	ASSEMBLY:-
CUSTOMARY: ALL DIMENSIONS IN INCHES			PRODUCT: M7		
IMPLIED TOLERANCES: FRACTION ± 1/8, .X ± .06, .XX ± .03, .XXX ± .010			DESCRIPTION: ASSY., LEFT FRONT JOYSTICK CONTROLLER		
SIZE: D 3/4		SCALE:		DRAWING CODE NUMBER: 26609038	
SHEET 1 OF 1				REV. C	

BILL OF MATERIALS					
ITEM NO.	PART NUMBER OR MATERIAL	QTY. REQ.	DWG. SIZE	PART NAME	DWG. SIZE
1	520209	1		JOYSTICK	
2	700385	1		PLATE, JOYSTICK MOUNT	
3	56400105	1		PLAQUE, HEIGHT-FLOAT FRONT PLOW	
4	-	-	-		
5	-	-	-		
6	2837631	4		RND HD MS, #10-24 X .750	
7	3064458	4		LOCKWASHER, #10	
8	3042011	4		HEX LOCKNUT #10-24 UNC	
114	5166812	1		RECEPTACLE, 12 PIN (DEUTSCH #: DT04-12P)	
118	5112932	1		LOCKING WEDGE, 12 PIN (DEUTSCH #: W12P)	
120	520253	1		BOOT, 12 PIN (DEUTSCH #: DT12P-BT)	
127	5166797	18		PIN, 16 GA. (DEUTSCH #: 0406-202-16141)	
134	5166806	1		RECEPTACLE, 6 PIN (DEUTSCH #: DT04-06P)	
137	5112926	1		LOCKING WEDGE, 6 PIN (DEUTSCH #: W6P)	
139	19891526	1		BOOT, 6 PIN (DEUTSCH #: DT6P-BT)	

CONNECTION DETAILS FOR P368			
PIN	WIRE No.	WIRE DESCRIPTION	COLOR
1	388	WING UP/DOWN SIGNAL	BLUE
2	402	WING UP/DOWN ENABLE	GREEN
3	390	WING IN/OUT SIGNAL	WHITE
4	403	WING IN/OUT ENABLE	BROWN
5	389	JOYSTICK ENABLE	RED
6	2	GROUND	BLACK

THESE 2 DOOR SWITCHES ARE PART OF SEAT/JOYSTICK HARNESS AND SHOWN HERE FOR REFERENCE ONLY.



- NOTES:
1. JOYSTICK IS SUPPLIED WITH APPROXIMATELY 24" OF 18 GA. COLOR CODED WIRE.
 2. ALL PLUG ENDS ARE TO BE LABELED WITH THEIR INDIVIDUAL I.D. NUMBER (EXAMPLE: P123) SHOWN NEAR EACH PLUG/CONNECTOR.

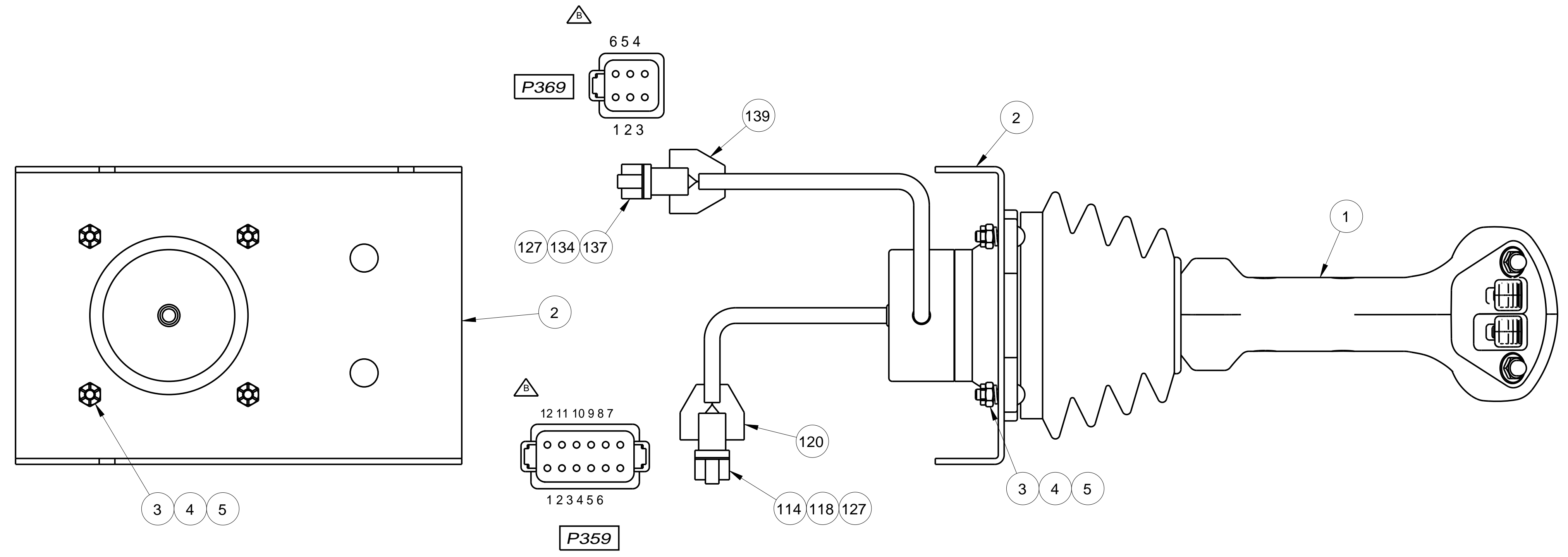
CONNECTION DETAILS FOR P358			
PIN	WIRE No.	WIRE DESCRIPTION	COLOR
1	295	REAR TEMP DOOR, IN	BLUE
2	297	REAR TEMP DOOR, OUT	WHITE
3	299	FRONT TEMP DOOR, IN	GREEN
4	301	FRONT TEMP DOOR, OUT	BROWN
5	289	OUTER DOOR TILT, IN	PURPLE
6	291	OUTER DOOR TILT, OUT	YELLOW
7	288	TRIGGER	ORANGE
8	389	JOYSTICK ENABLE	RED
9	2	GROUND	BLACK/WHITE
10			
11			
12			

SUPERSEDES PORTION OF DRAWING 460350

REVERSED ORDER OF TOP PLUG POS ON P358, P368, P388 GRN WIRE WAS ORG.		MKS 17-Nov-10	600317	CUSTOMARY: ALL DIMENSIONS IN INCHES				THIRD ANGLE PROJECTION	
NEW ISSUE		DLS 19-Aug-09	SCR 01-25-10 SW 01-26-10	600134	PRODUCT: M7		DESCRIPTION: ASSY, RIGHT FRONT JOYSTICK CONTROLLER		
IMPLIED TOLERANCES	FRACTION X .XX .XXX	± 1/8 ± .06 ± .03 ± .010	MACHINE FINISH UNLESS OTHERWISE STATED	SIZE D	SCALE 3/4	DRAWING CODE NUMBER 26609039	REV. A	SHEET 1 OF 1	
MF REV	CHANGE	DRAWN BY: DATE:	CHECKED BY: DATE:	E.C.O.#	PLANE ANGLES IN DEG	ASSEMBLY:-		SHEET 1 OF 1	

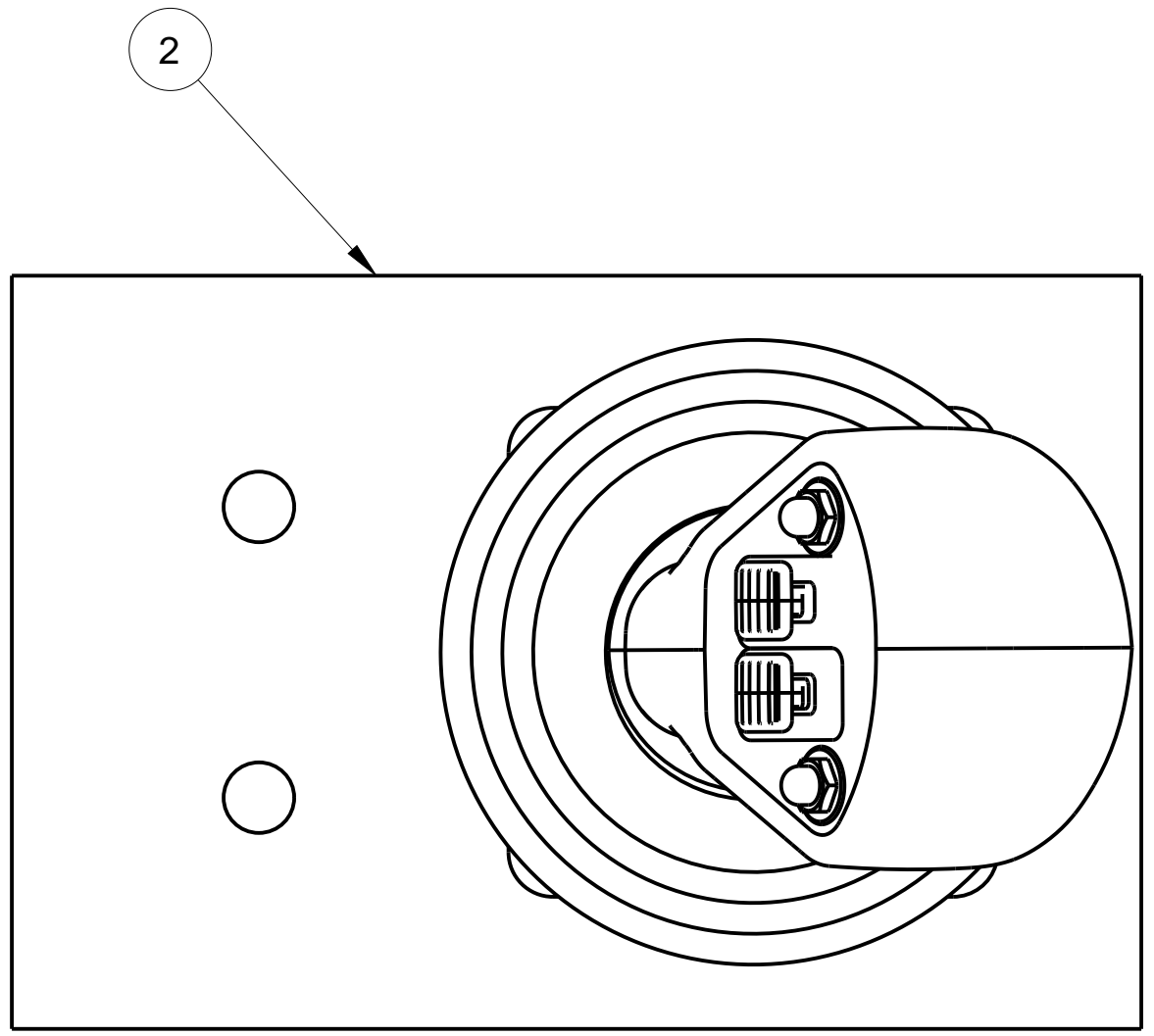
BILL OF MATERIALS					
ITEM NO.	PART NUMBER OR MATERIAL	QTY. REQ.	DWG. SIZE	PART NAME	DWG. SIZE
1	520209	1		JOYSTICK	
2	700385	1		PLATE, JOYSTICK MOUNT	
3	2837631	4		RND HD MS, #10-24 X .750	
4	3064458	4		LOCKWASHER, #10	
5	3042011	4		HEX LOCKNUT #10-24 UNC	
114	5166812	1		RECEPTACLE, 12 PIN (DEUTSCH #: DT04-12P)	
118	5112932	1		LOCKING WEDGE, 12 PIN (DEUTSCH #: W12P)	
120	520253	1		BOOT, 12 PIN (DEUTSCH #: DT12P-BT)	
127	5166797	18		PIN, 16 GA. (DEUTSCH #: 0406-202-16141)	
134	5166806	1		RECEPTACLE, 6 PIN (DEUTSCH #: DT04-06P)	
137	5112926	1		LOCKING WEDGE, 6 PIN (DEUTSCH #: W6P)	
139	19891526	1		BOOT, 6 PIN (DEUTSCH #: DT6P-BT)	

CONNECTION DETAILS FOR P369			
PIN	WIRE No.	WIRE DESCRIPTION	COLOR
1	388	WING UP/DOWN SIGNAL	BLUE
2	402	WING UP/DOWN ENABLE	GREEN
3	390	WING IN/OUT SIGNAL	WHITE
4	403	WING IN/OUT ENABLE	BROWN
5	391	JOYSTICK ENABLE	RED
6	2	GROUND	BLACK



CONNECTION DETAILS FOR P359			
PIN	WIRE No.	WIRE DESCRIPTION	COLOR
5	289	OUTER DOOR TILT, IN	PURPLE
6	291	OUTER DOOR TILT, OUT	YELLOW
7	288	TRIGGER	ORANGE
8	391	JOYSTICK ENABLE	RED

NOTES:
 1. JOYSTICK IS SUPPLIED WITH APPROXIMATELY 24" OF 18 GA. COLOR CODED WIRE.
 2. ALL PLUG ENDS ARE TO BE LABELED WITH THEIR INDIVIDUAL I.D. NUMBER (EXAMPLE: P123) SHOWN NEAR EACH PLUG/CONNECTOR.



SUPERSEDES PORTION OF DRAWING 460350

CUSTOMARY: ALL DIMENSIONS IN INCHES					
IMPLIED TOLERANCES		PRODUCT: M7			
FRACTION	TOLERANCE	DESCRIPTION: ASSY, RIGHT REAR JOYSTICK CONTROLLER			
.X	± .1/8	SIZE	SCALE	DRAWING CODE NUMBER	REV.
.XX	± .06	D	3/4	26609041	B
.XXX	± .03				
REVERSED ORDER OF TOP PLUG POS ON P359, P369; P369 GRN WIRE WAS ORG.		MKS 17-Nov-10 600317			
NEW ISSUE		DLS 19-Aug-09 600134			
DATE	DATE	DATE	DATE	E.C.O.#	PLANE ANGLES +/- 1°
DATE	DATE	DATE	DATE	DATE	DATE
ASSEMBLY:-		SHEET 1		OF 1	

NO. 520234

SHEET NO. 1/1

ALL INFORMATION CONTAINED ON THIS DRAWING IS CONSIDERED TO BE BOTH CONFIDENTIAL AND PROPRIETARY BY NORDCO INC. NO USE OR REPRODUCTION THEREOF MAY BE MADE WITHOUT THE EXPRESS WRITTEN CONSENT OF NORDCO INC.

BILL OF MATERIALS

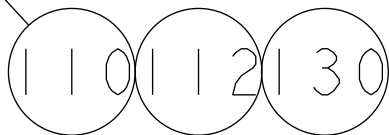
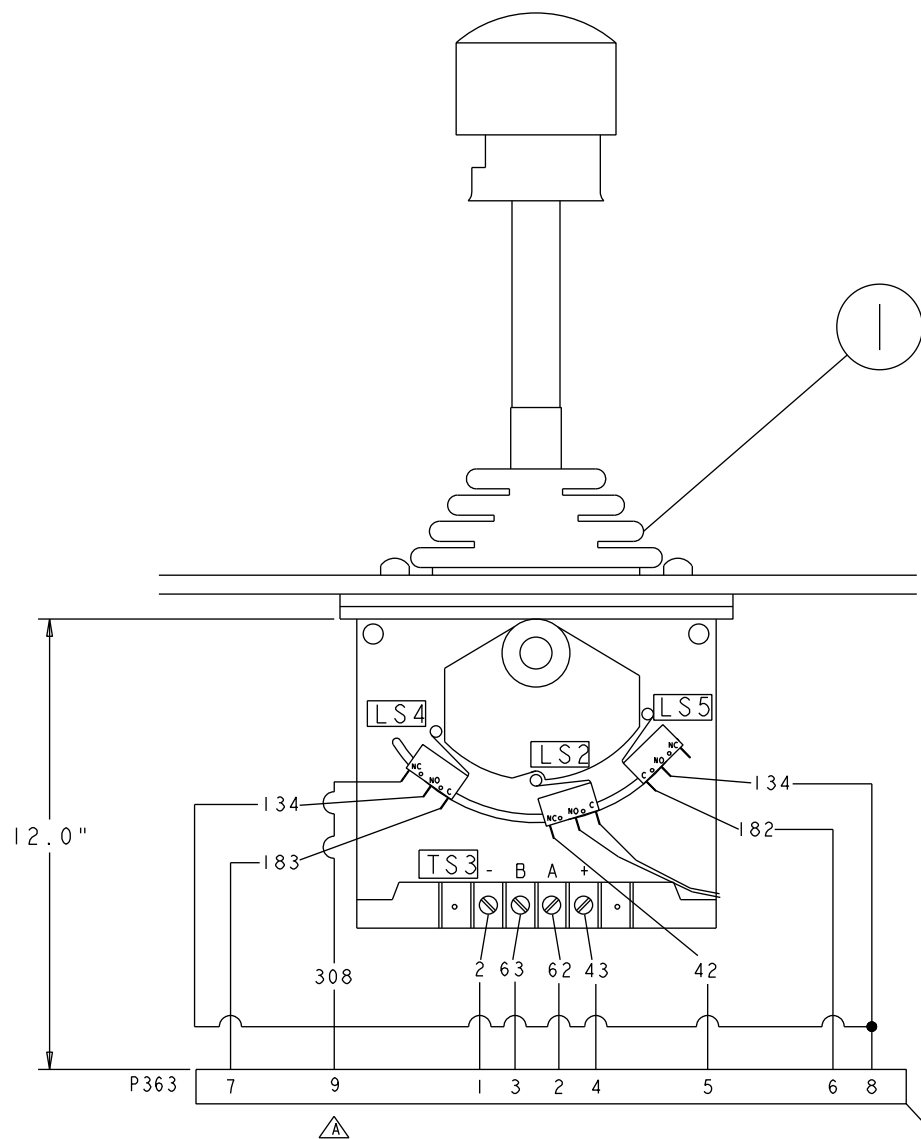
ITEM NO.	PART NUMBER OR MATERIAL	QTY. REQ.	PART DESCRIPTION	DESIGNATION
1	520210	1	JOYSTICK, EDC FWD / REV, MCH	
△ 110	5166 822	1	PLUG, 12-PIN DEUTSCH #DT06-12S	
△ 112	5112 942	1	LOCKING WEDGE, FOR 12 SOCKET PLUG DEUTSCH #W12S	
△ 130	5166 796	12	SOCKET, 14-16GA DEUTSCH #0462-209-16141	
185	5170 240	AR	CABLE TIES	
186	4738 0100	1	LABEL PANDUIT T400X000VXIY	

CONNECTION LIST

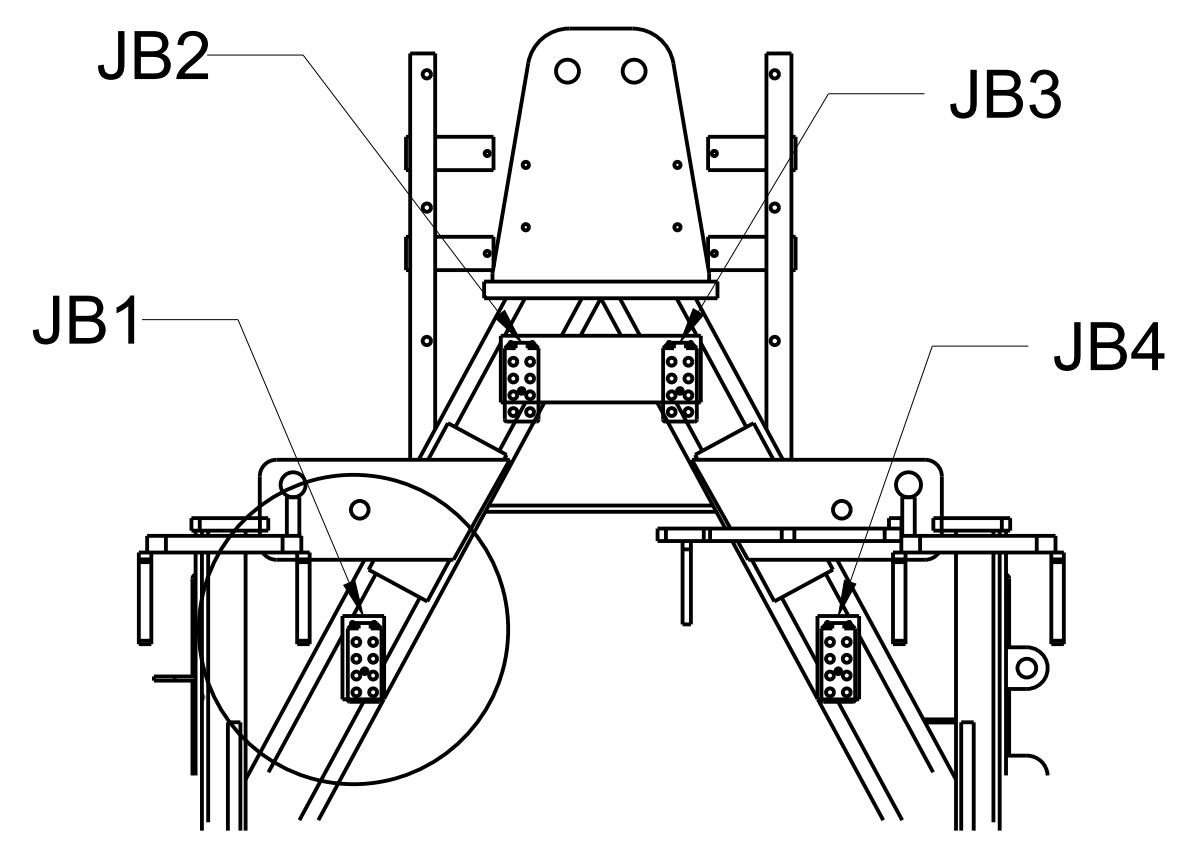
WIRE DESCRIPTION	END 1 LOCATION	END 2 LOCATION	WIRE #
16 AWG GREEN	TS3 @ -	P363 @ 1	2
16 AWG BLACK	LS2 @ NC	P363 @ 5	42
16 AWG BLACK	TS3 @ +	P363 @ 4	43
16 AWG BLACK	TS3 @ A	P363 @ 2	62
16 AWG BLACK	TS3 @ B	P363 @ 3	63
16 AWG BLACK	LS4 @ NO	LS5 @ NO	134
16 AWG BLACK	LS5 @ NO	P363 @ 8	134
16 AWG BLACK	LS5 @ C	P363 @ 6	182
16 AWG BLACK	LS4 @ C	P363 @ 7	183
△ 16 AWG BLACK	LS4 @ NC	P363 @ 9	308

NOTES:

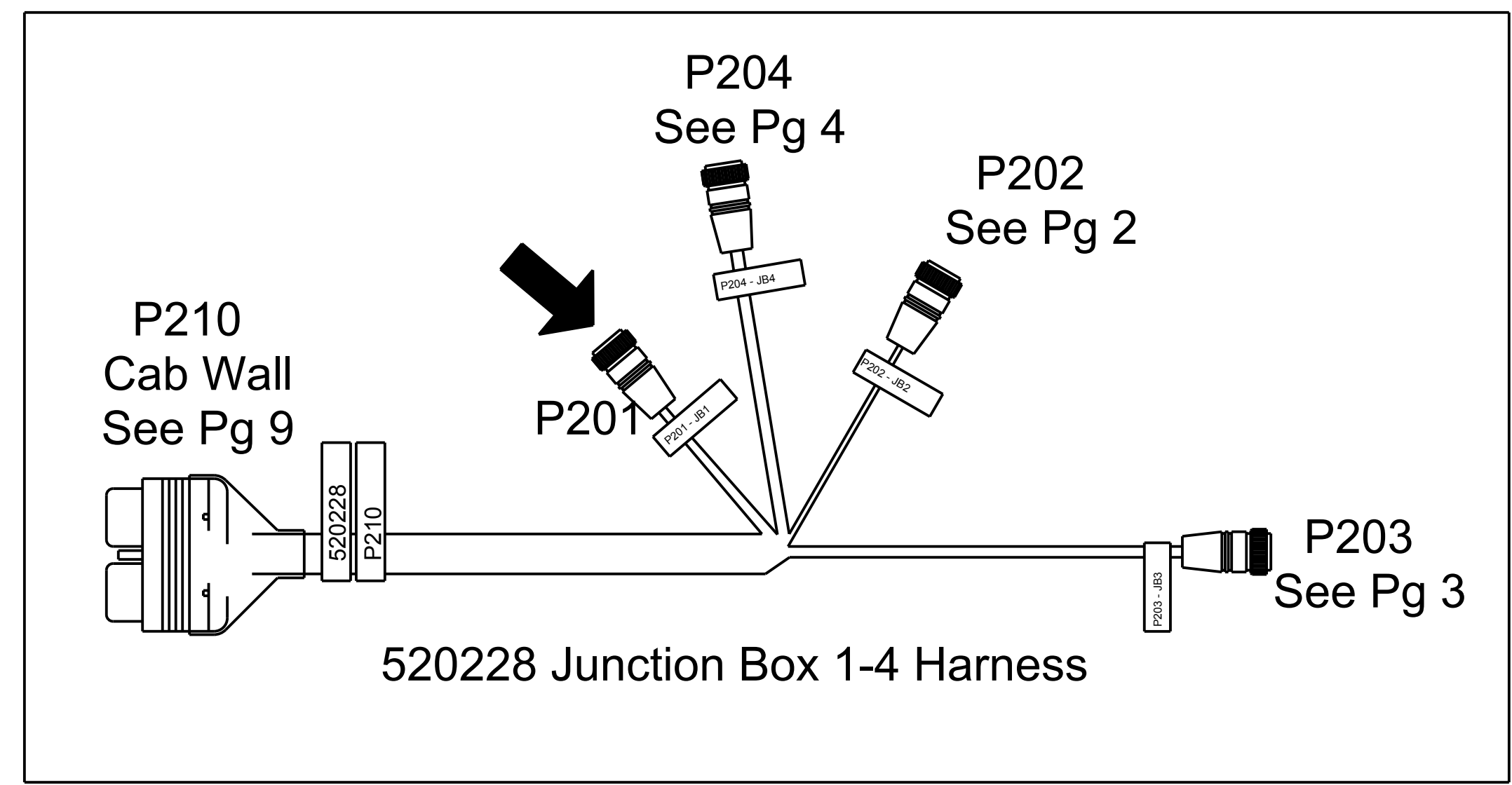
- USE CABLE TIES, ITEM 185, AS REQUIRED.
- ALL WIRES TO BE IDENTIFIED WITH WIRE MARKERS AT BOTH ENDS. MARKERS ARE TO BE APPLIED ON WIRE, NOT ON TERMINALS.
- ALL WIRE SIZES AND CONNECTIONS TO BE PER WIRE CONNECTION LIST.
- ALL COMPONENT IDENTIFICATIONS SHOWN BOXED ARE TO BE LABELLED WITH TEXT SHOWN.
- WIRES TO BE STRANDED COPPER OF INDICATED GAUGE, GXL, SXL TYPE OR APPROVED EQUIVALENT.
- ALL WIRE TO HAVE A TERMINAL CRIMPED TO ENDS. NO BARE WIRE CONNECTIONS TO COMPONENTS. AT POINTS WHERE 2 WIRES ARE AT ONE CONNECTION, CRIMP IN SAME TERMINAL, BUT USE TERMINAL ONE SIZE LARGER TO ACCOMODATE BOTH WIRES. NO MORE THAN 2 WIRES ARE ALLOWED PER CRIMPED TERMINAL.
- USE CABLE TIES (ITEM 185) AS REQUIRED.
- ATTACH LABEL ITEM 186 NEAR P363 CONNECTOR AROUND WIRES. LABEL TO READ "520234".
- REMOVE ALUMINUM PLATE AND BLACK PLASTIC COVER. SHIP ALUMINUM PLATE AND SCREWS SEPARATELY (DO NOT REASSEMBLE). BLACK PLASTIC COVER MAY BE DISCARDED.
- USE PROPERLY SIZED, FULLY INSULATED RING TERMINALS TO CONNECT TO TERMINAL STRIP.
- USE PROPERLY SIZED, FULLY INSULATED SPADE TERMINALS TO MAKE LIMIT SWITCH CONNECTIONS.



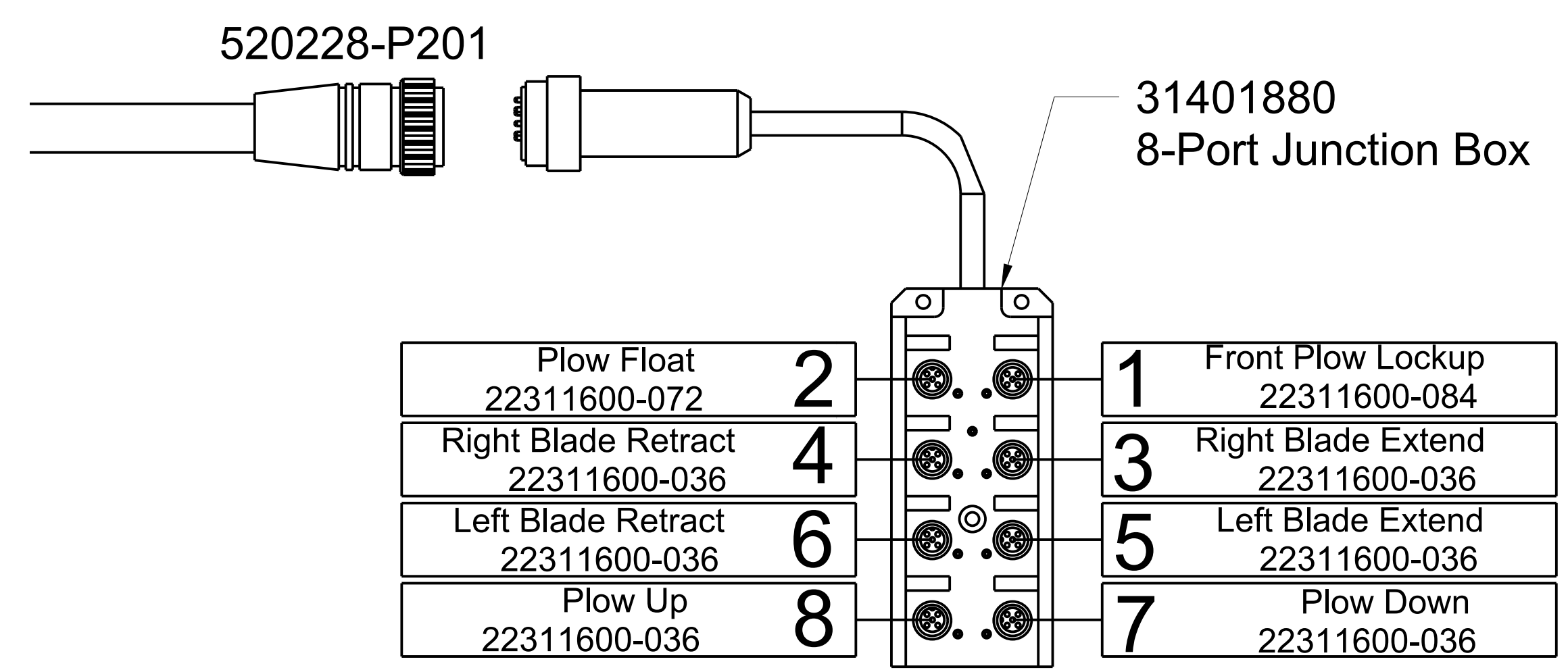
CUSTOMARY: ALL DIMENSIONS IN INCHES		Oshawa Nordco		THIRD ANGLE PROJECTION
IMPLIED TOLERANCES		PRODUCT: M7		
DESCRIPTION:		ASSY, EDC JOYSTICK W/ CONNECTOR		
FRACTION : 1/8	SIZE	SCALE	DRAWING CODE NUMBER	REV.
.X : .06	D	NTS	520234	A
.XX : .03	PLANE ANGLES 45° - 1°		ASSEMBLY: -	SHEET 1/1
.XXX : .010				
ITEM 110 P/N 5166 822 # WAS 5166 812	CP, 28-SEP-07			
ITEM 112 P/N 5112 942 WAS 5166 930,	AJB			
ITEM 130 P/N 5166 796 # WAS 5166 791,	21-SEP-07			
QTY 12 WAS 8	MK, 24-JUL-08			
ADDED WIRE #308 LS4 NC TO P363 @ 9	JWW			
	31-OCT-06			
DATE:	DATE:			
DATE:	DATE:			
DATE:	DATE:			



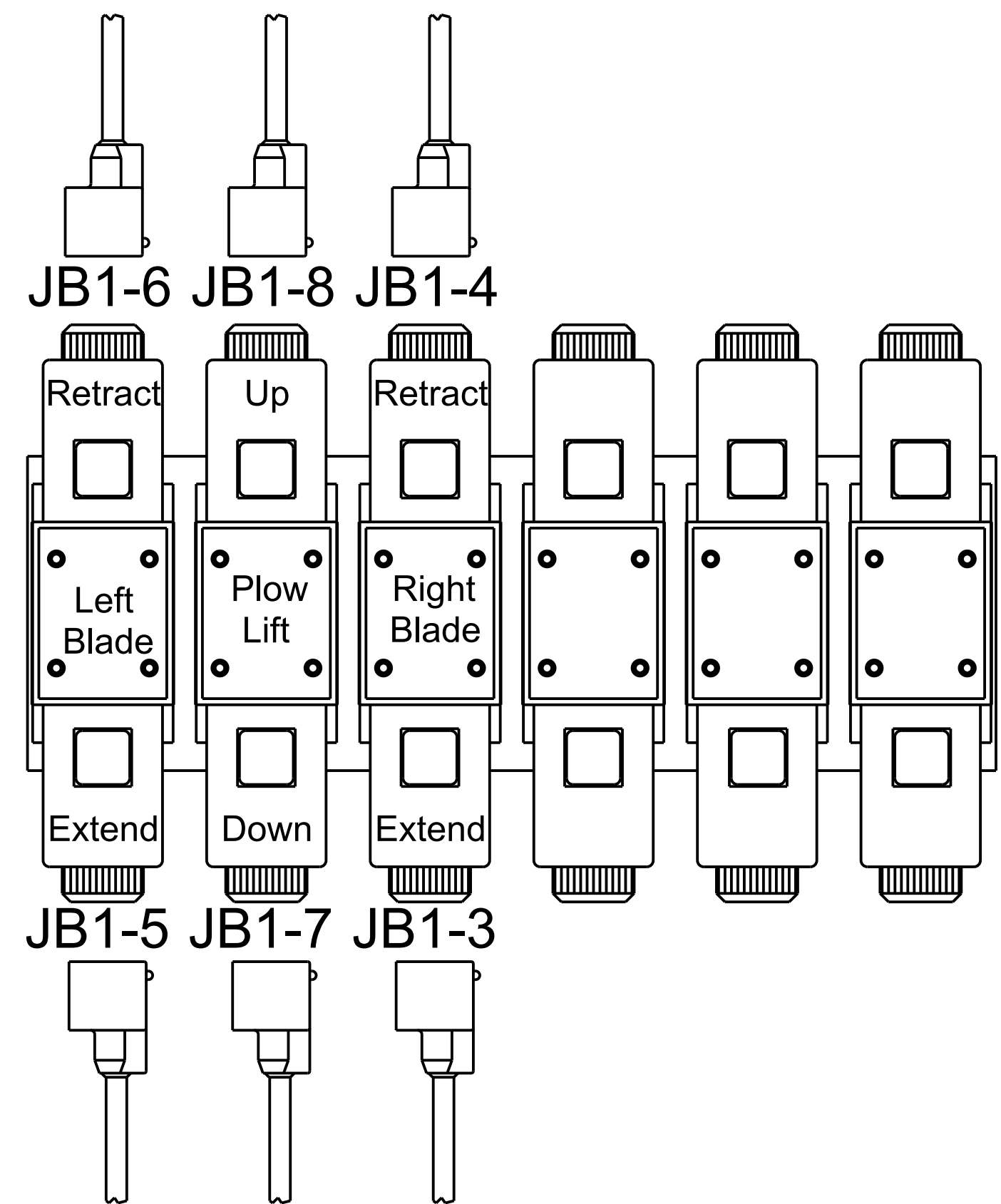
VIEW FROM CAB



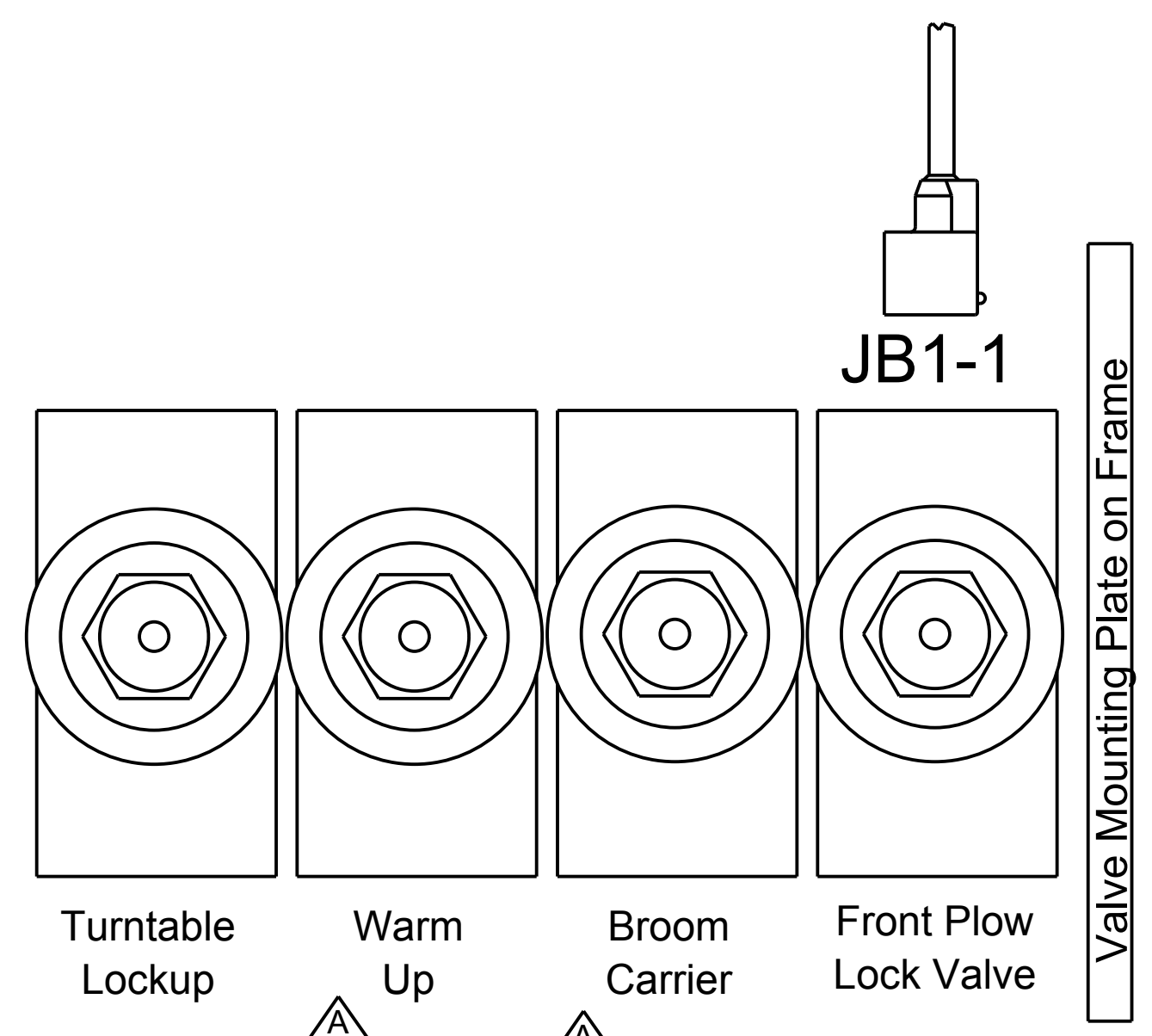
520228 Junction Box 1-4 Harness



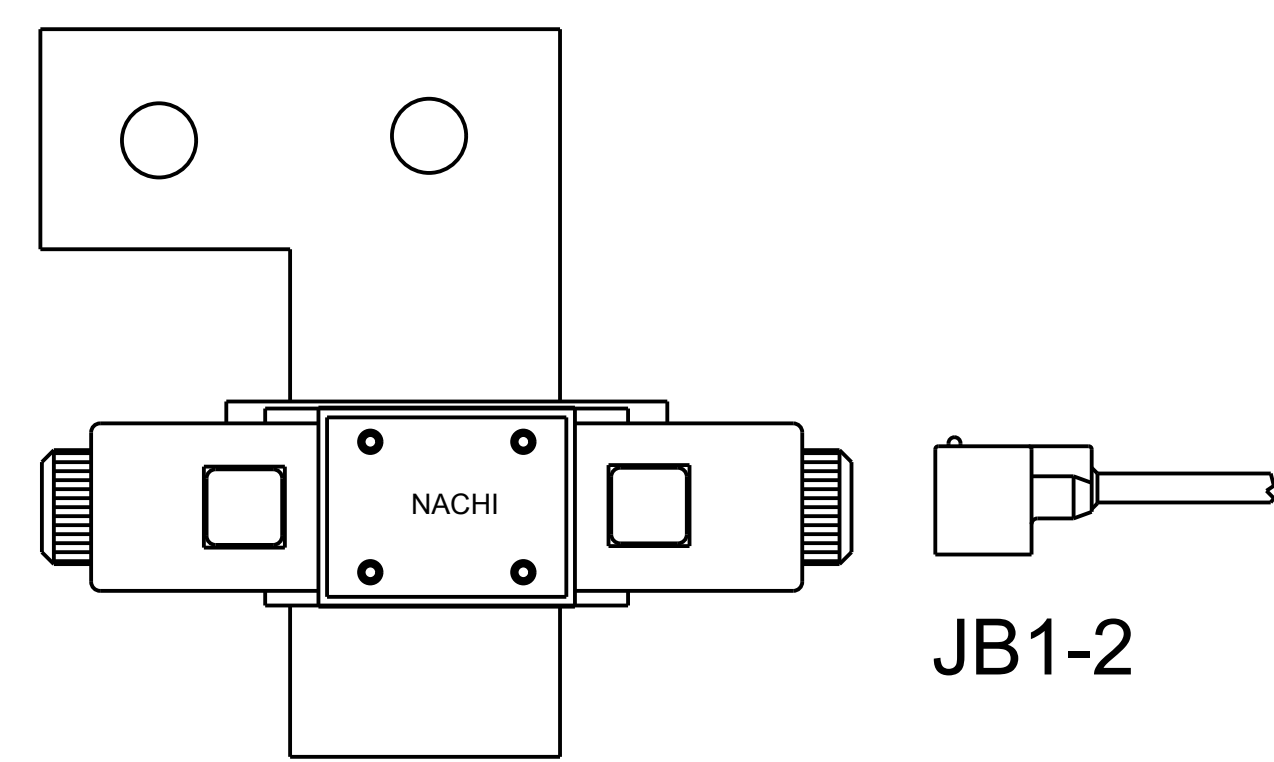
JB1



6-Station Manifold



RH Valve Bank
(Top View - Located on Right Front Cab Leg)



Plow Float
(Located at Front of Machine)

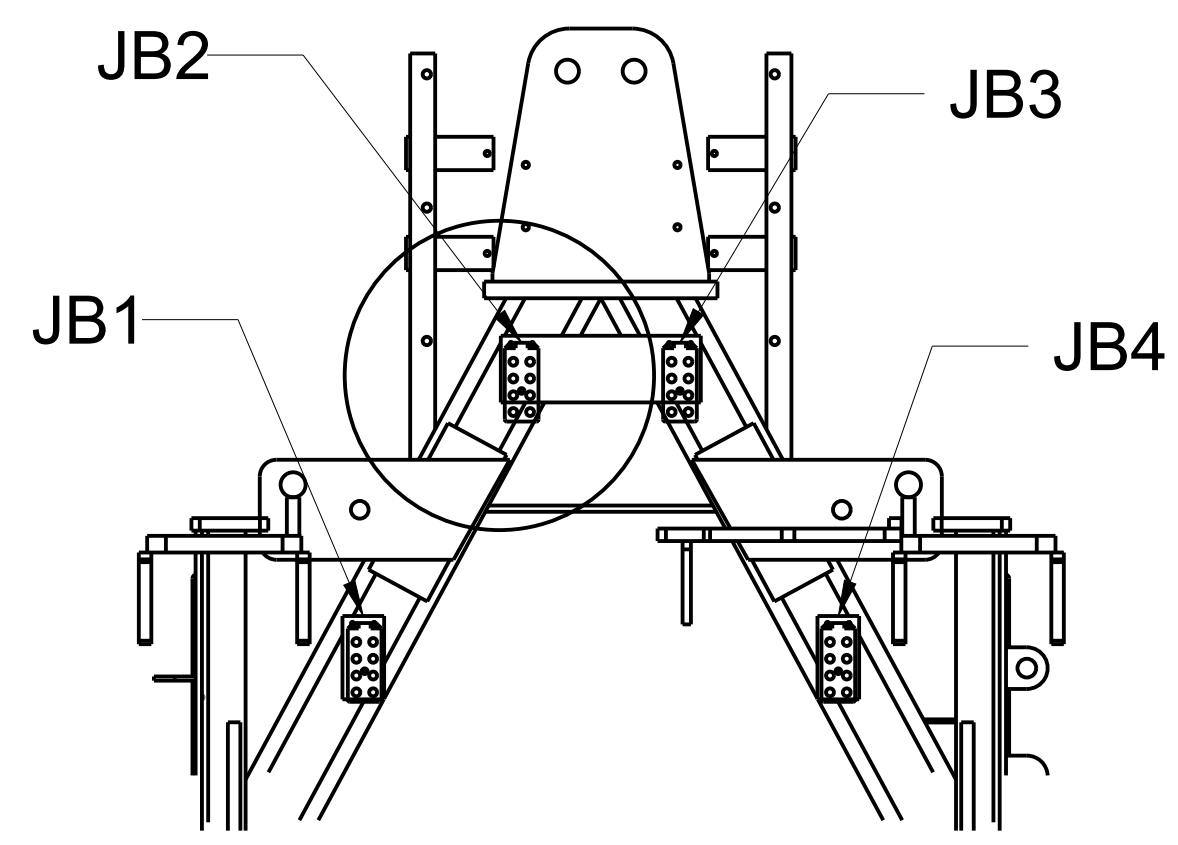
Junction Box 1

Plow Float 22311600-072	2	1	Front Plow Lockup 22311600-084
Right Blade Retract 22311600-036	4	3	Right Blade Extend 22311600-036
Left Blade Retract 22311600-036	6	5	Left Blade Extend 22311600-036
Plow Up 22311600-036	8	7	Plow Down 22311600-036

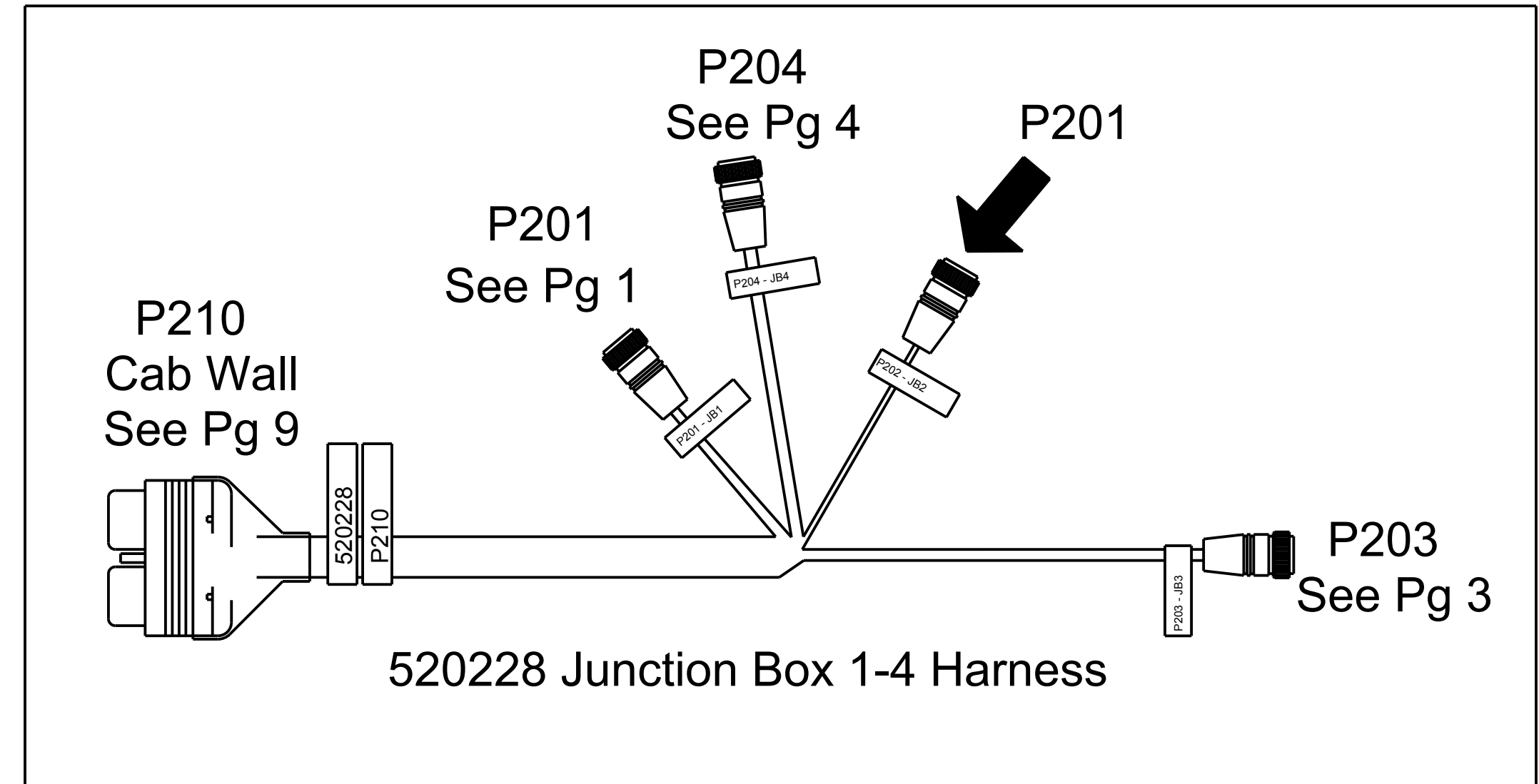
JB1

CUSTOMARY: ALL DIMENSIONS IN INCHES					
IMPLIED TOLERANCES		PRODUCT: M7 BALLAST REGULATOR			
FRACTION	± .18	DESCRIPTION: M7 CABLING DIAGRAM			
X	± .06	SIZE	SCALE	DRAWING CODE NUMBER	REV.
XX	± .03	D	NTS	97801004DWG	D
XXX	± .010	ASSEMBLY:-		SHEET 1	OF 12
PLANE ANGLES 45-90°					

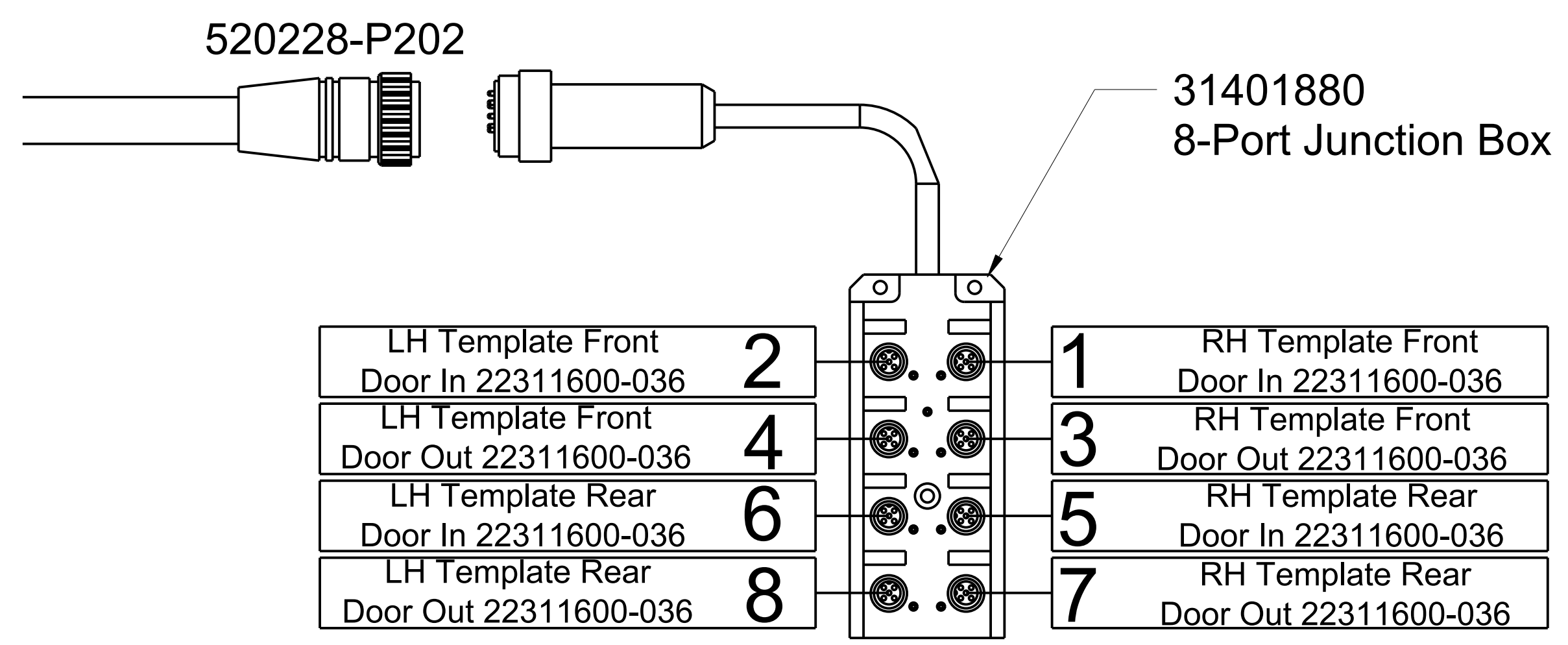
△ REVISION HISTORY
LOCATED ON LAST SHEET



VIEW FROM CAB



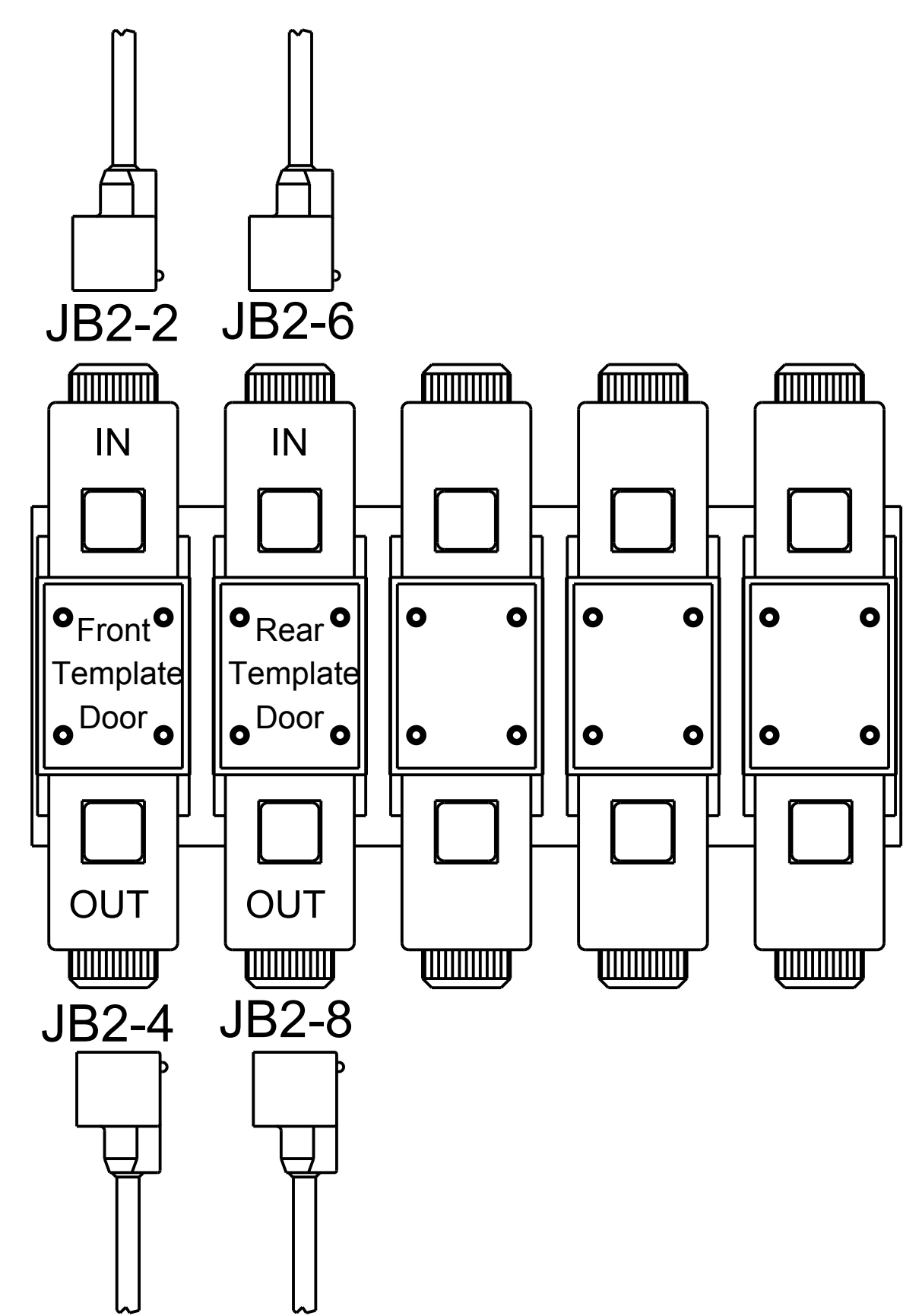
520228 Junction Box 1-4 Harness



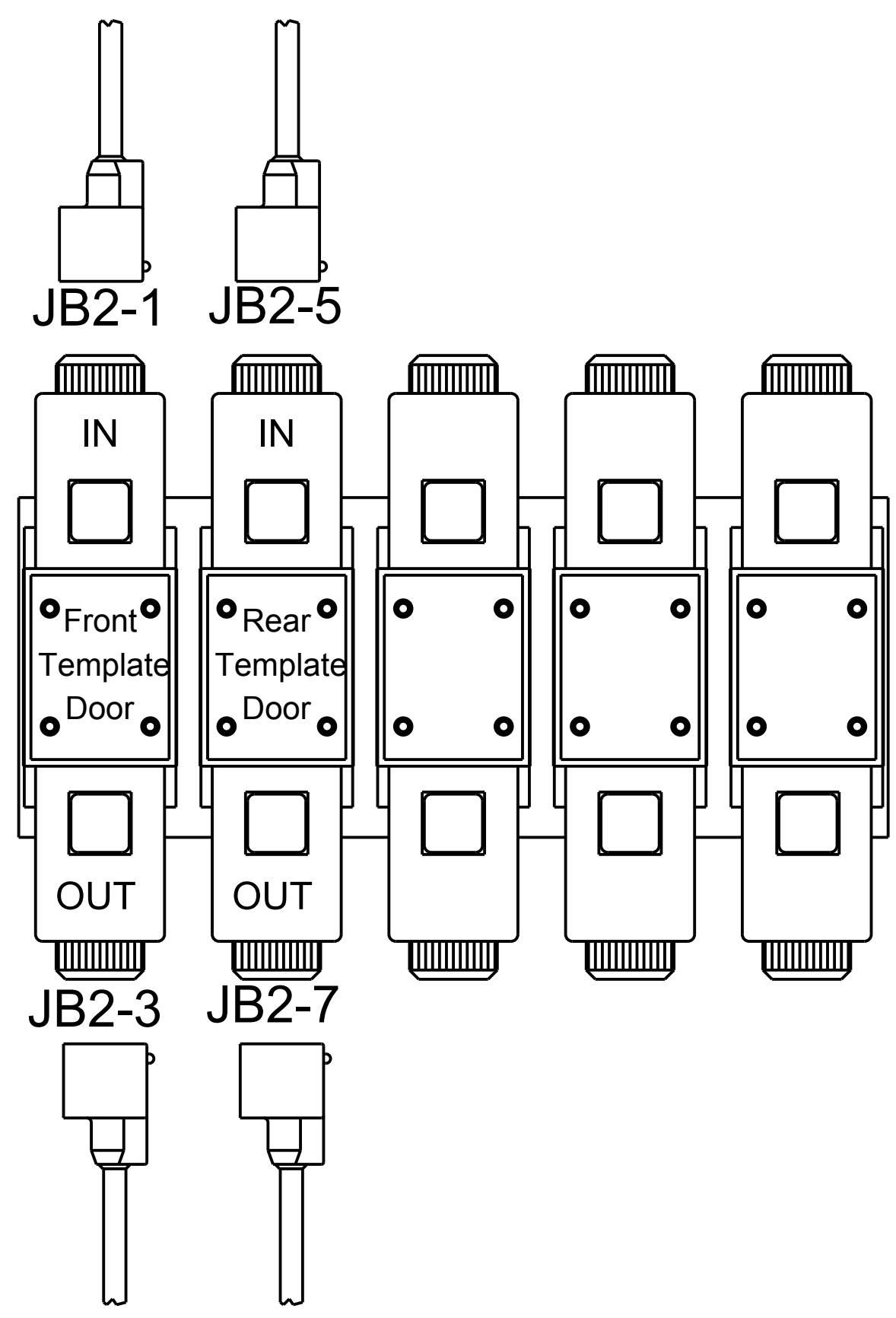
31401880 8-Port Junction Box

LH Template Front Door In 22311600-036	2	1	RH Template Front Door In 22311600-036
LH Template Front Door Out 22311600-036	4	3	RH Template Front Door Out 22311600-036
LH Template Rear Door In 22311600-036	6	5	RH Template Rear Door In 22311600-036
LH Template Rear Door Out 22311600-036	8	7	RH Template Rear Door Out 22311600-036

JB2



5-Station Manifold Left

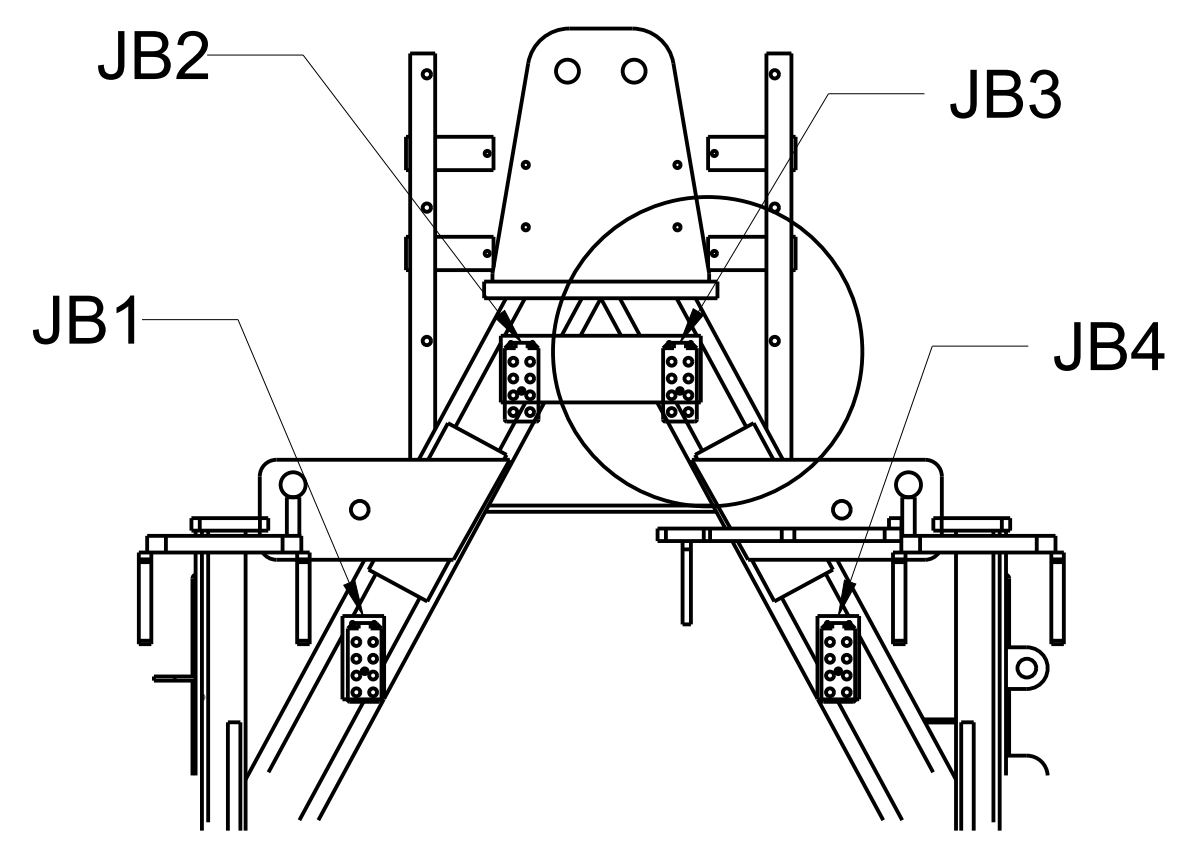


5-Station Manifold Right

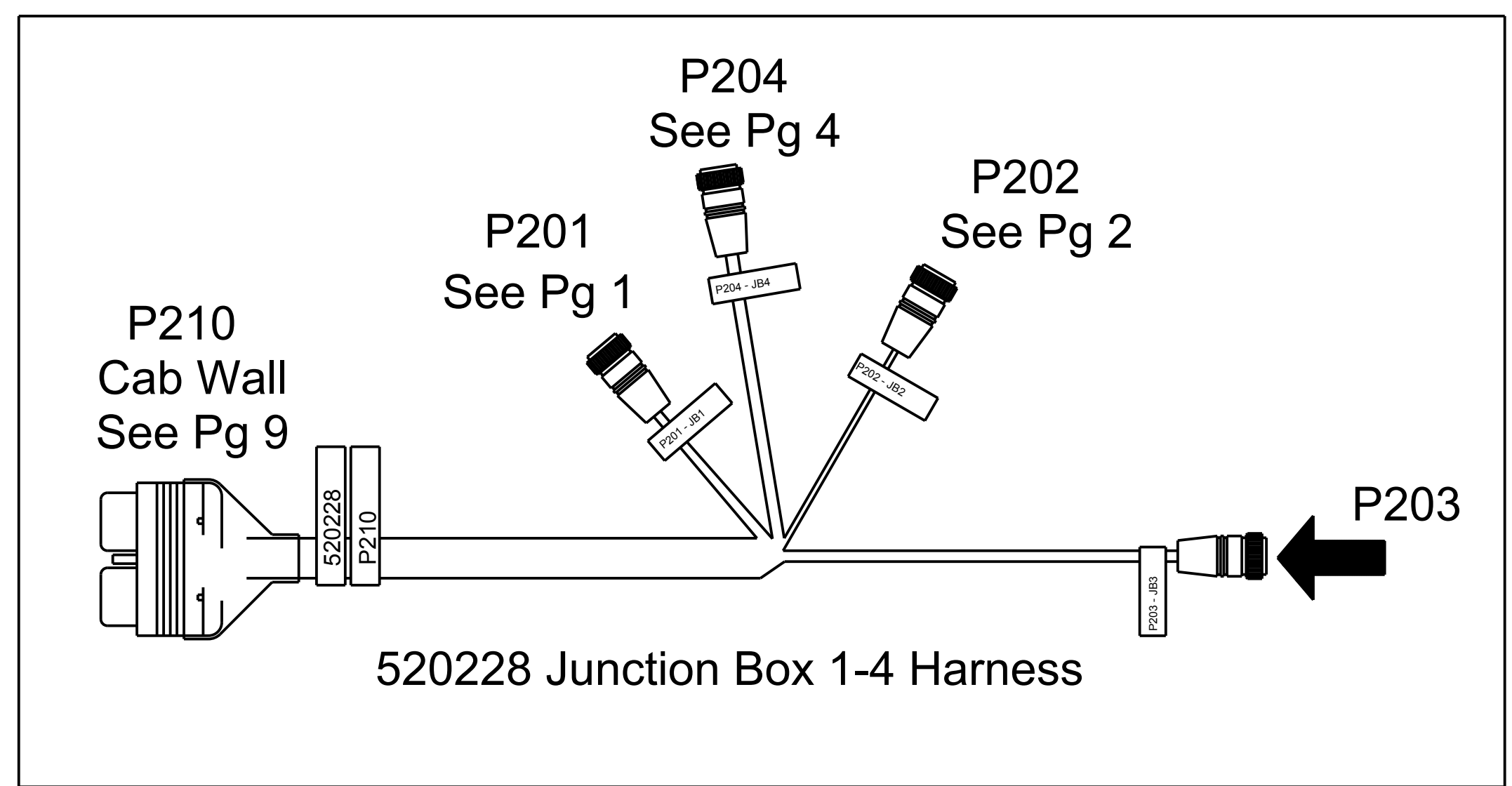
Junction Box 2

CUSTOMARY: ALL DIMENSIONS IN INCHES					
IMPLIED TOLERANCES		PRODUCT: M7 BALLAST REGULATOR			
FRACTION	± .18	DESCRIPTION: M7 CABLING DIAGRAM			
X	± .06	SIZE	SCALE	DRAWING CODE NUMBER	REV.
XX	± .03	D	NTS	97801004DWG	D
XXX	± .010	ASSEMBLY:-		SHEET 2	OF 12
PLANE ANGLES 45-90°					

REVISION HISTORY LOCATED ON LAST SHEET

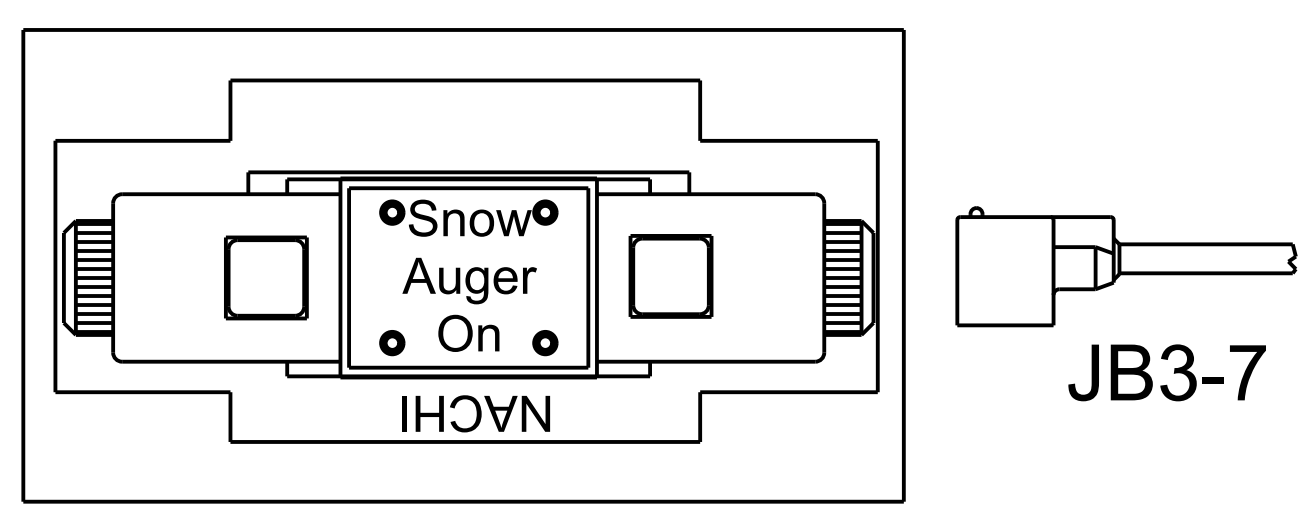
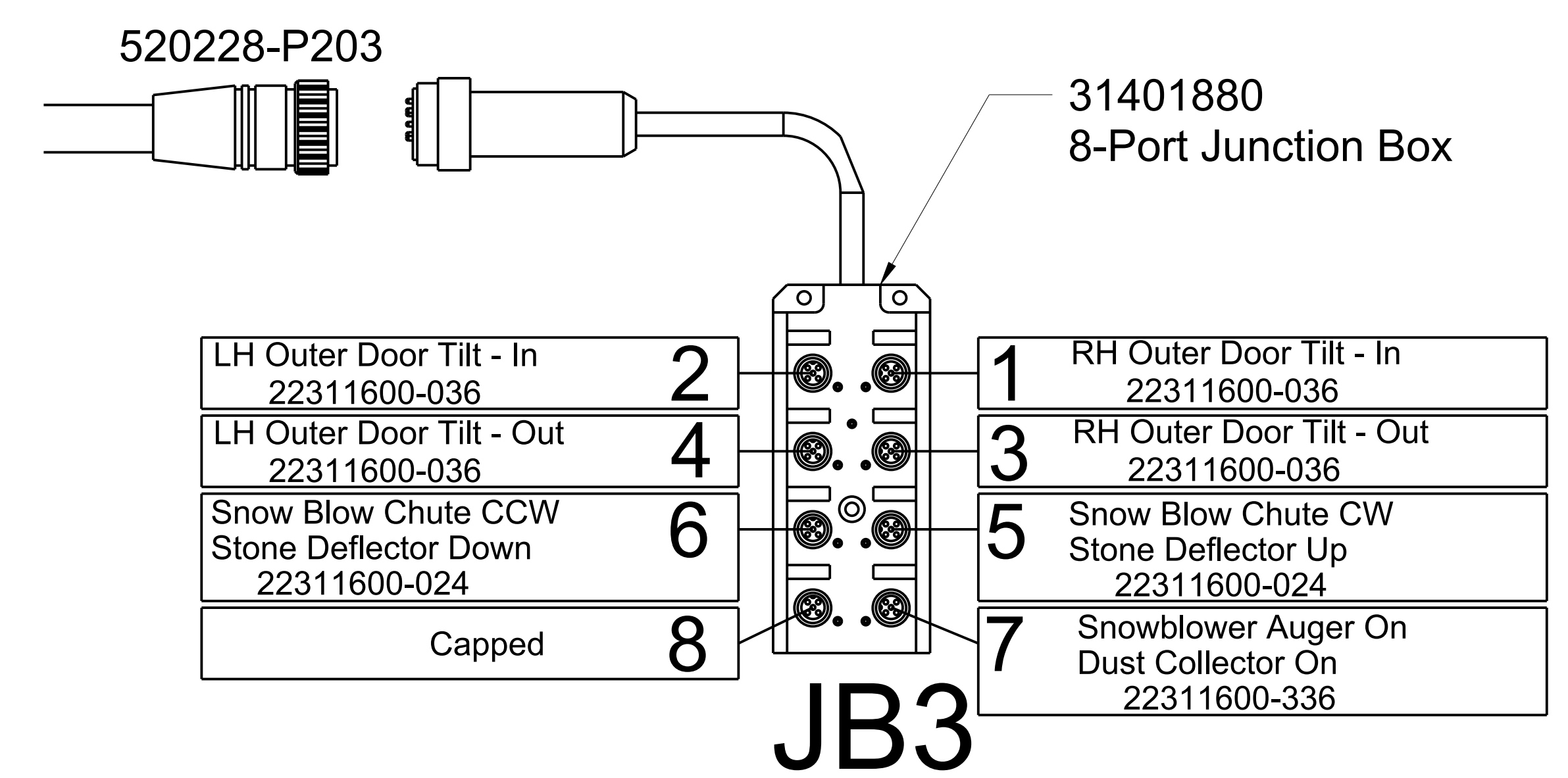


VIEW FROM CAB

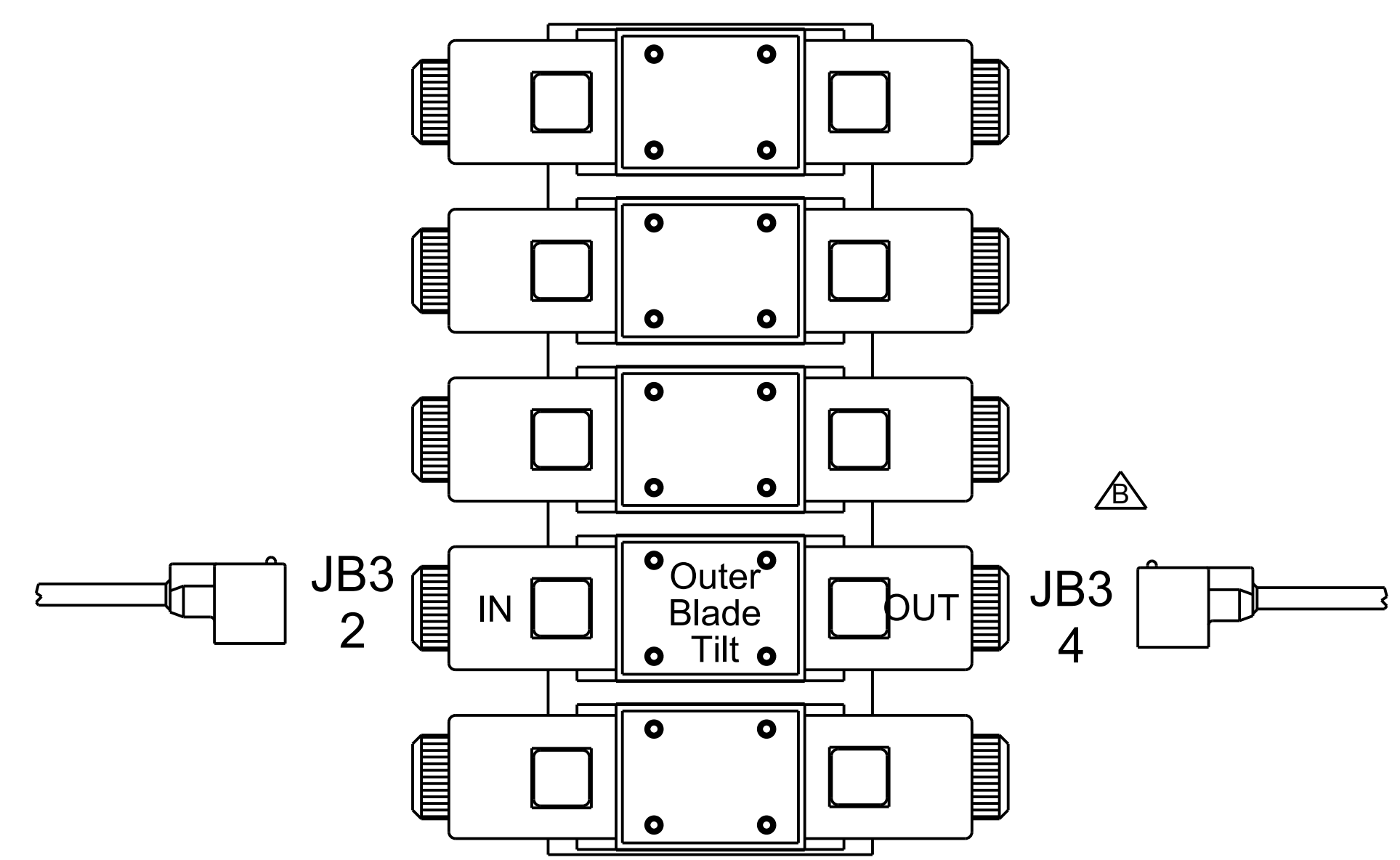


520228 Junction Box 1-4 Harness

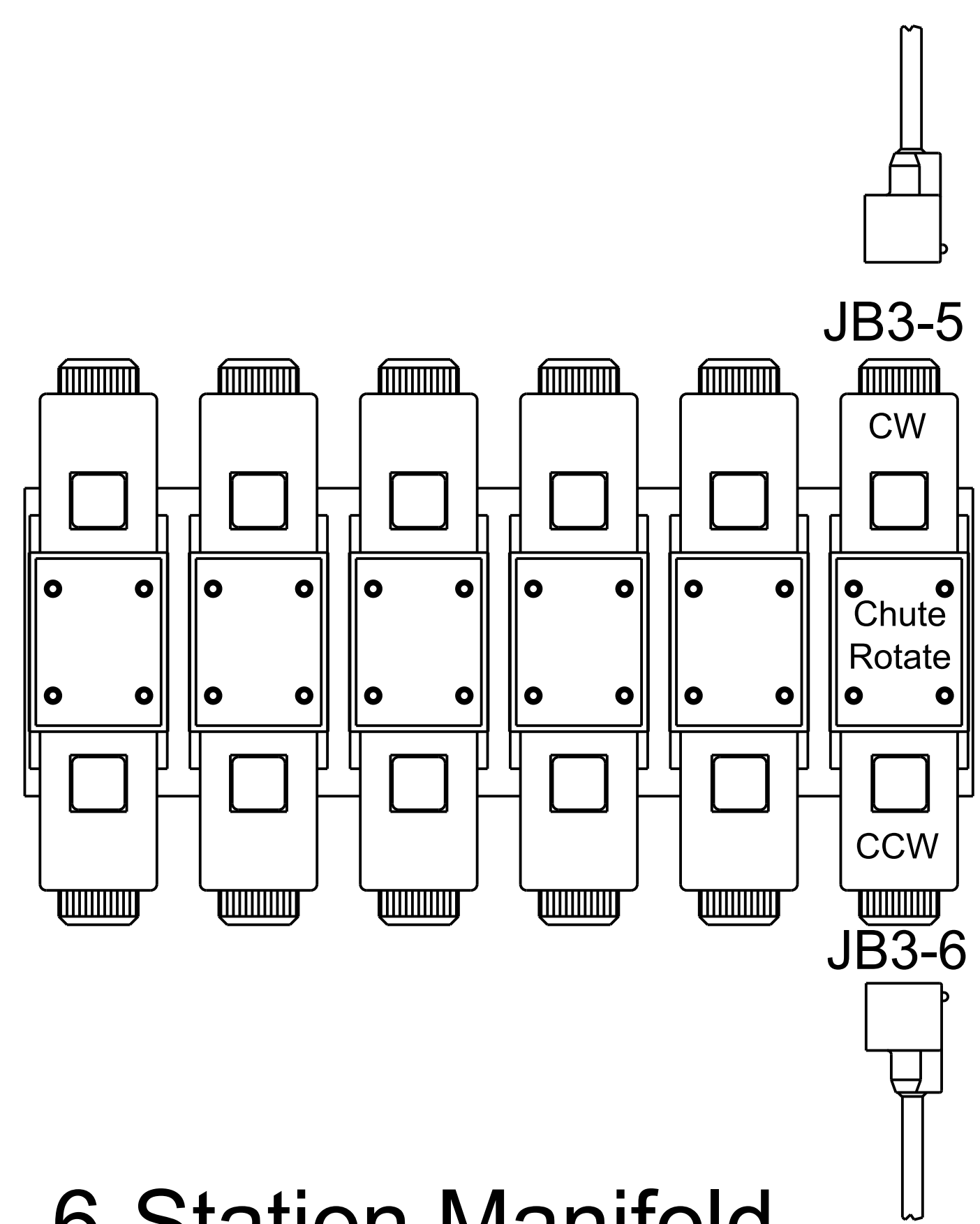
Junction Box 3



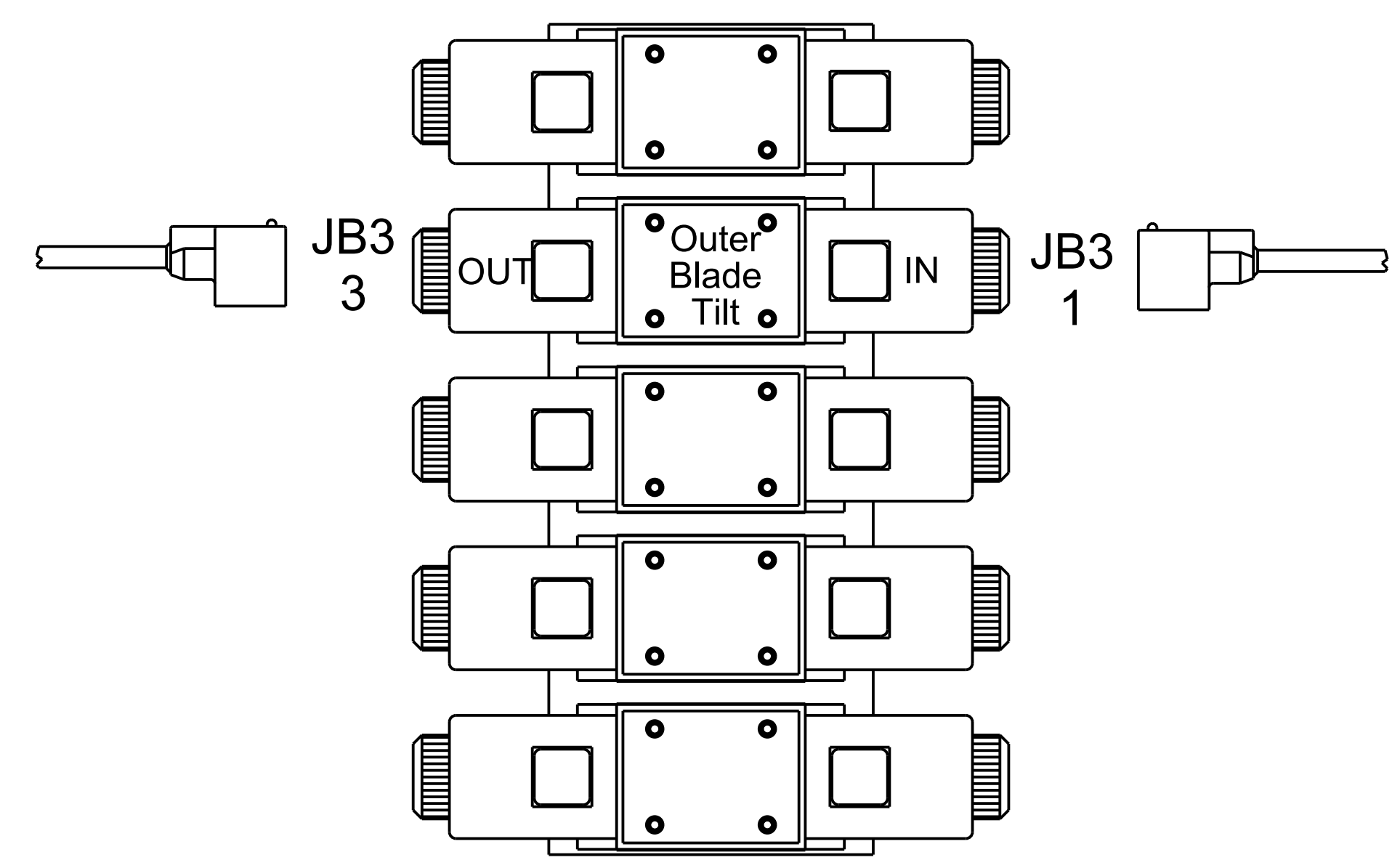
Snow Auger
(Located on Top of Snow Blower)



5-Station Manifold Left



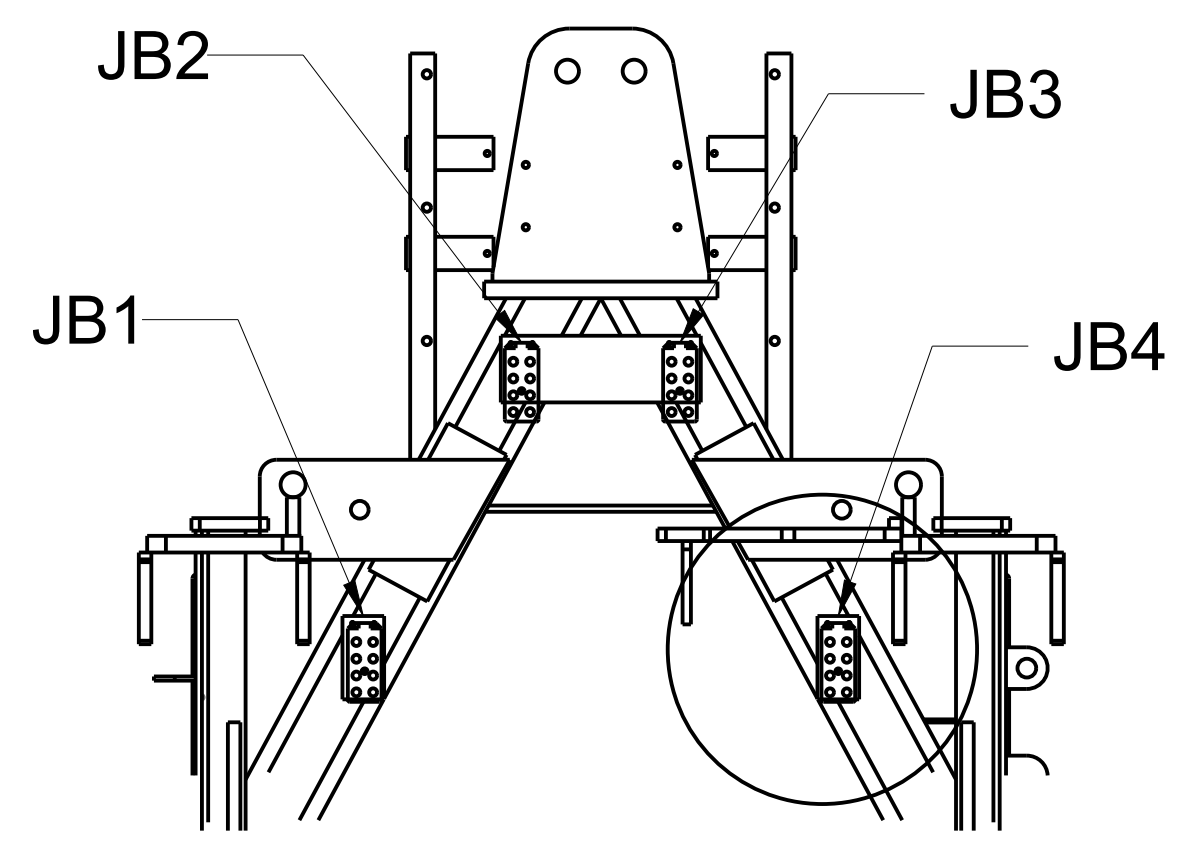
6-Station Manifold



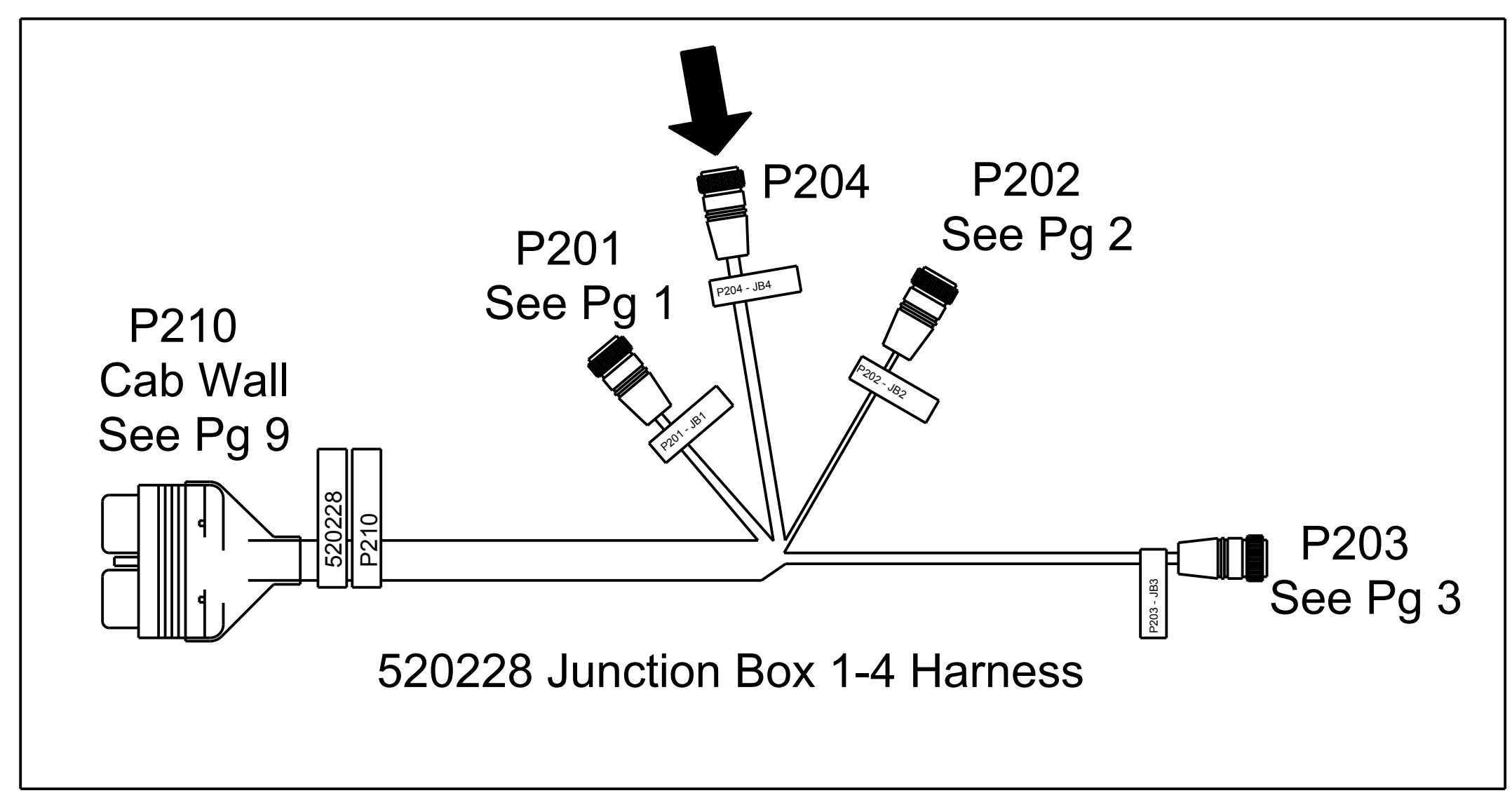
5-Station Manifold Right

CUSTOMARY: ALL DIMENSIONS IN INCHES					
IMPLIED TOLERANCES		PRODUCT: M7 BALLAST REGULATOR			
FRACTION	± .18	DESCRIPTION: M7 CABLING DIAGRAM			
X	± .06	SIZE	SCALE	DRAWING CODE NUMBER	REV.
XX	± .03	D	NTS	97801004DWG	D
XXX	± .010	ASSEMBLY:-		SHEET 3 OF 12	
<small>INCHES FINISH UNLESS OTHERWISE STATED</small>		<small>PLANE ANGLES 45-90°</small>			

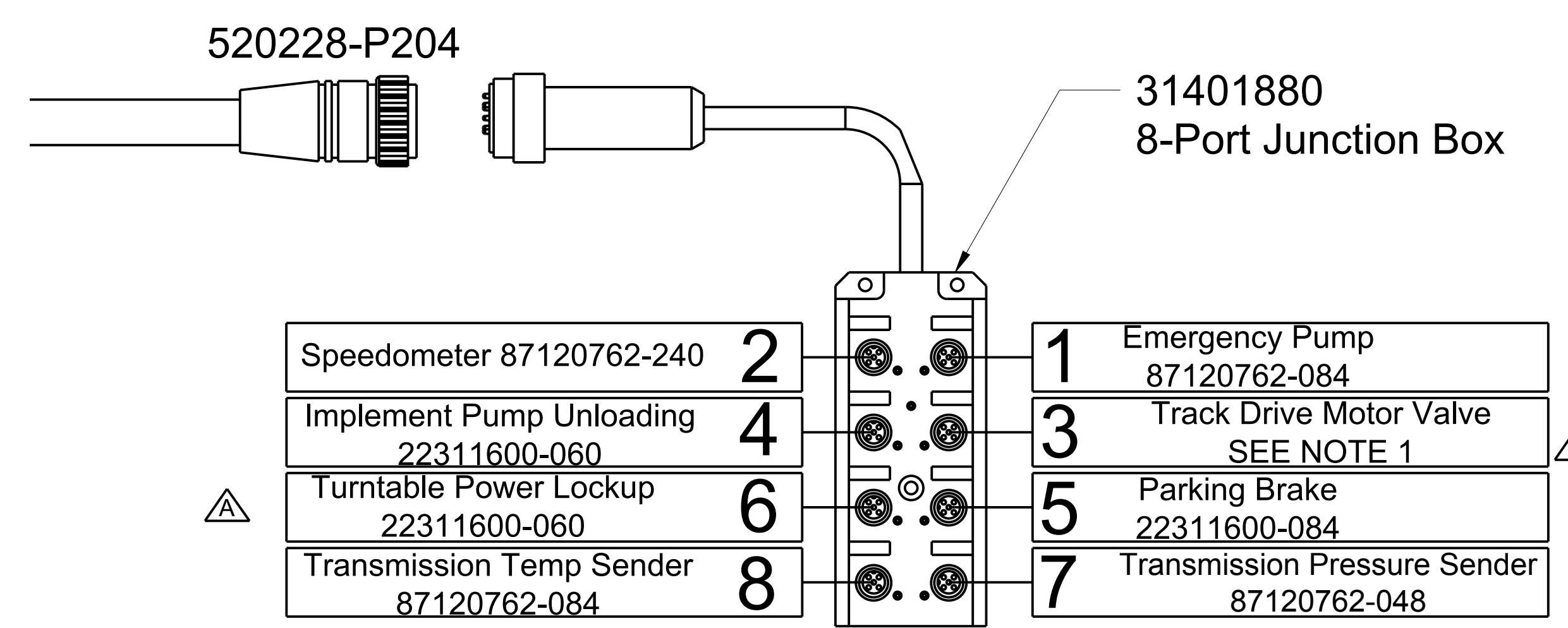
REVISION HISTORY LOCATED ON LAST SHEET



VIEW FROM CAB

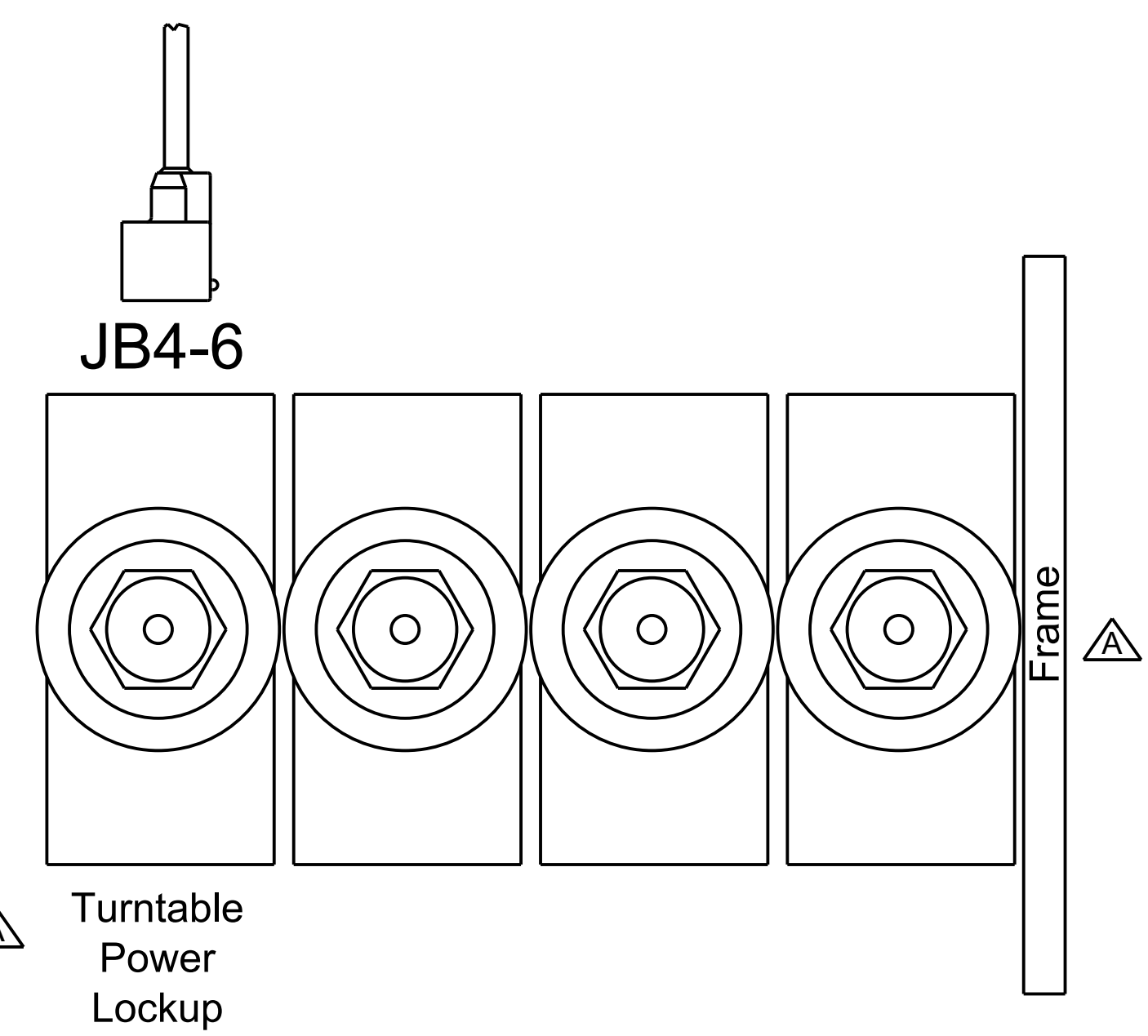


520228 Junction Box 1-4 Harness

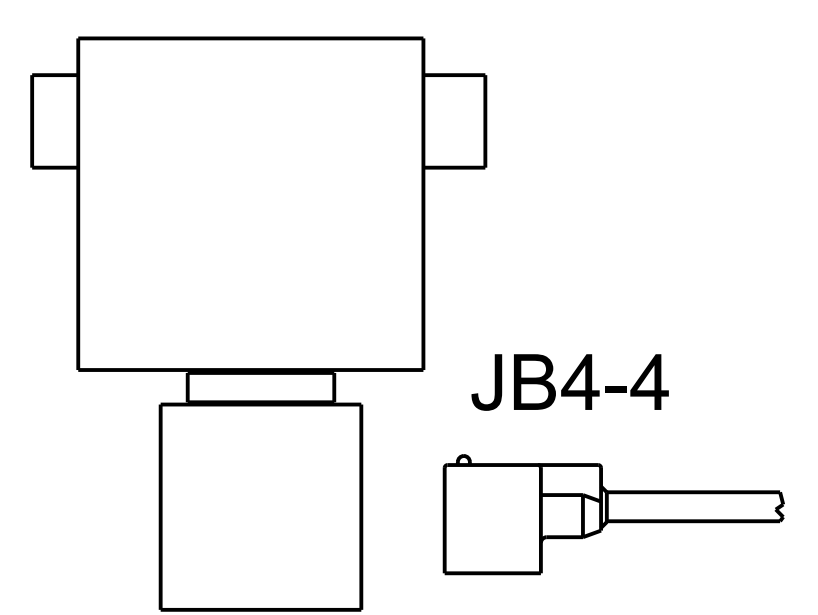


JB4

NOTE
 1. JB4-3, UP TO S/N 800561 USE CABLE 22311600-072, S/N800562 & UP USE CABLE 22311612-072



RH Valve Bank
 (Top View - Located on Right Front Cab Leg)

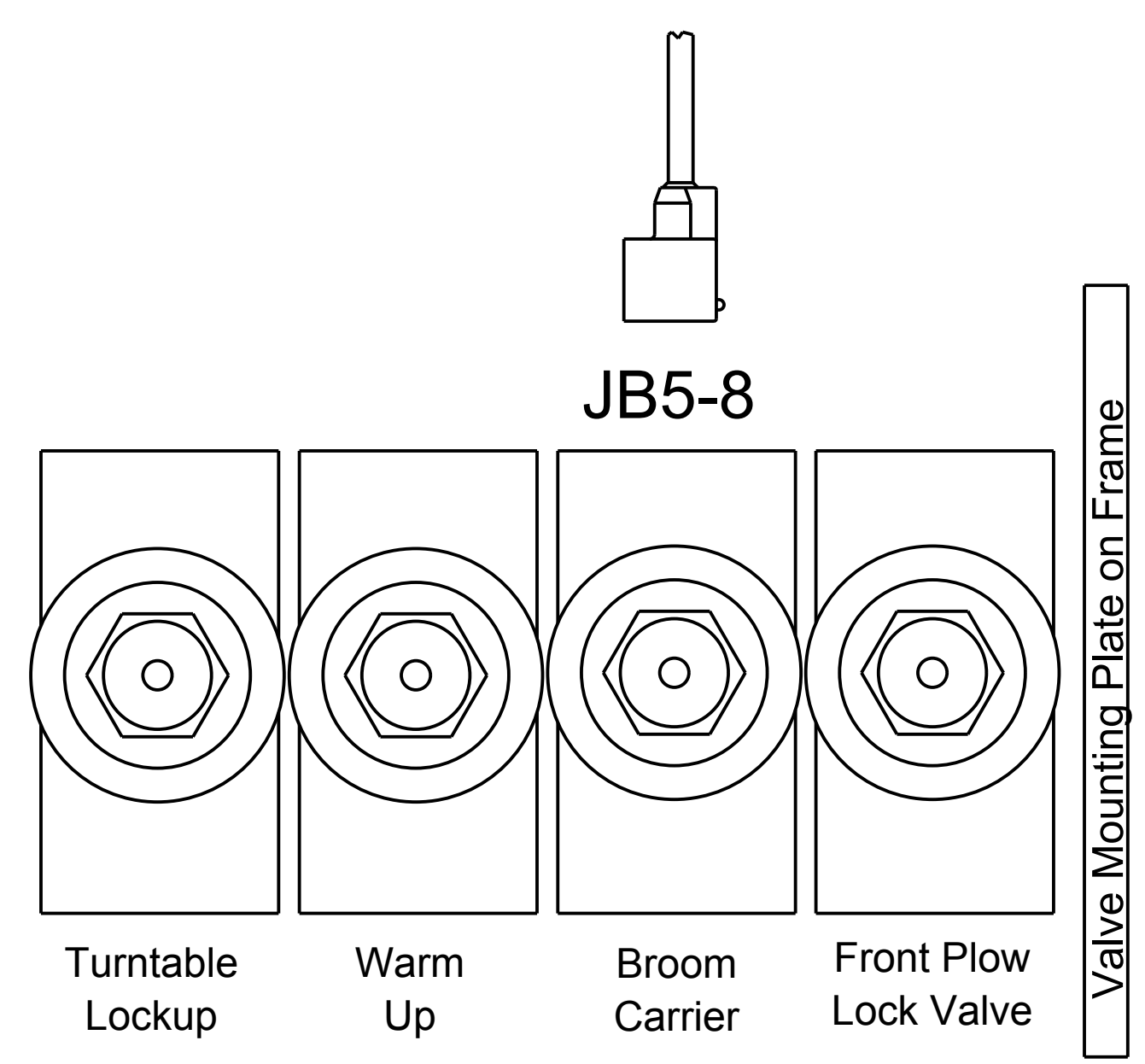
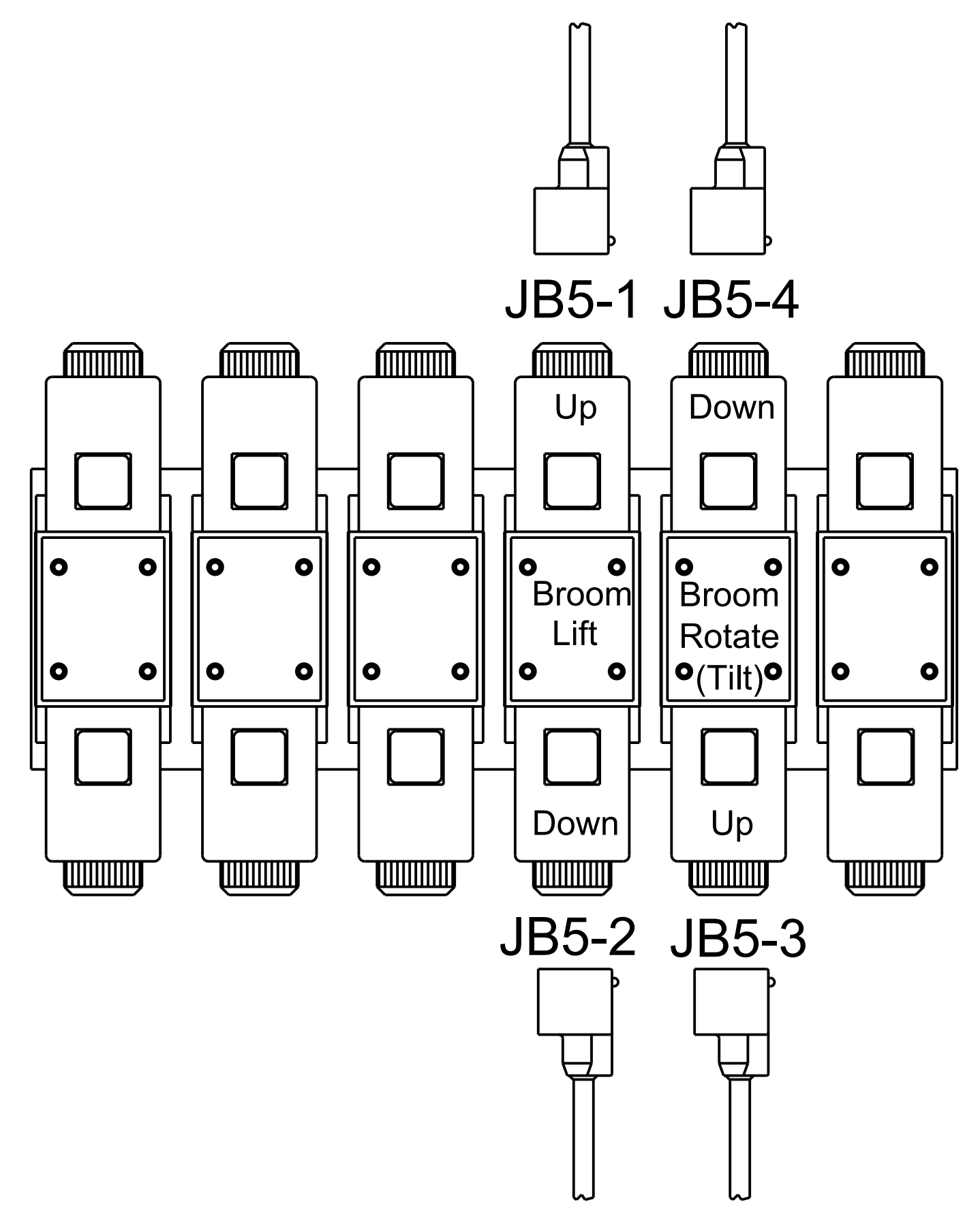
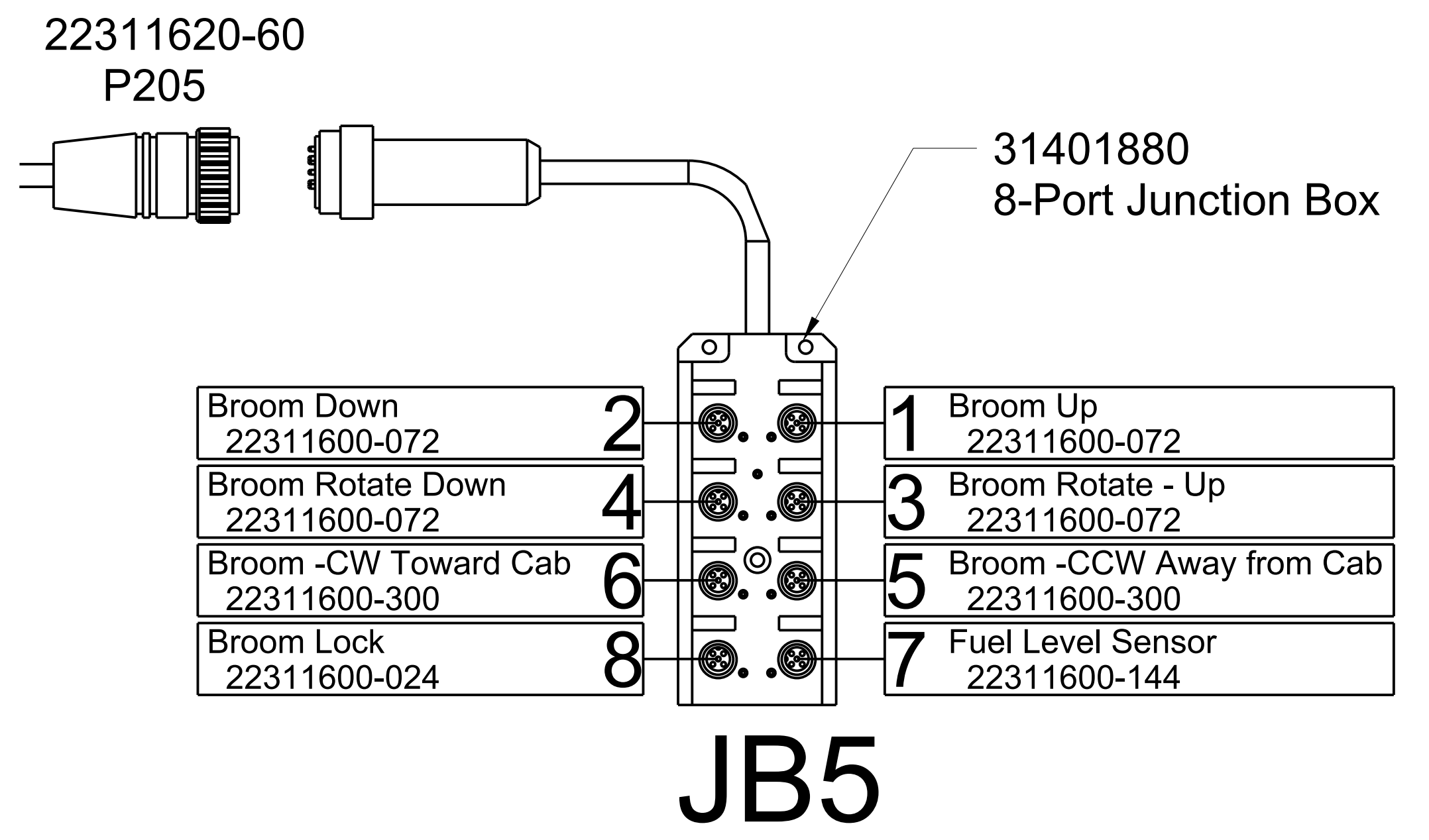
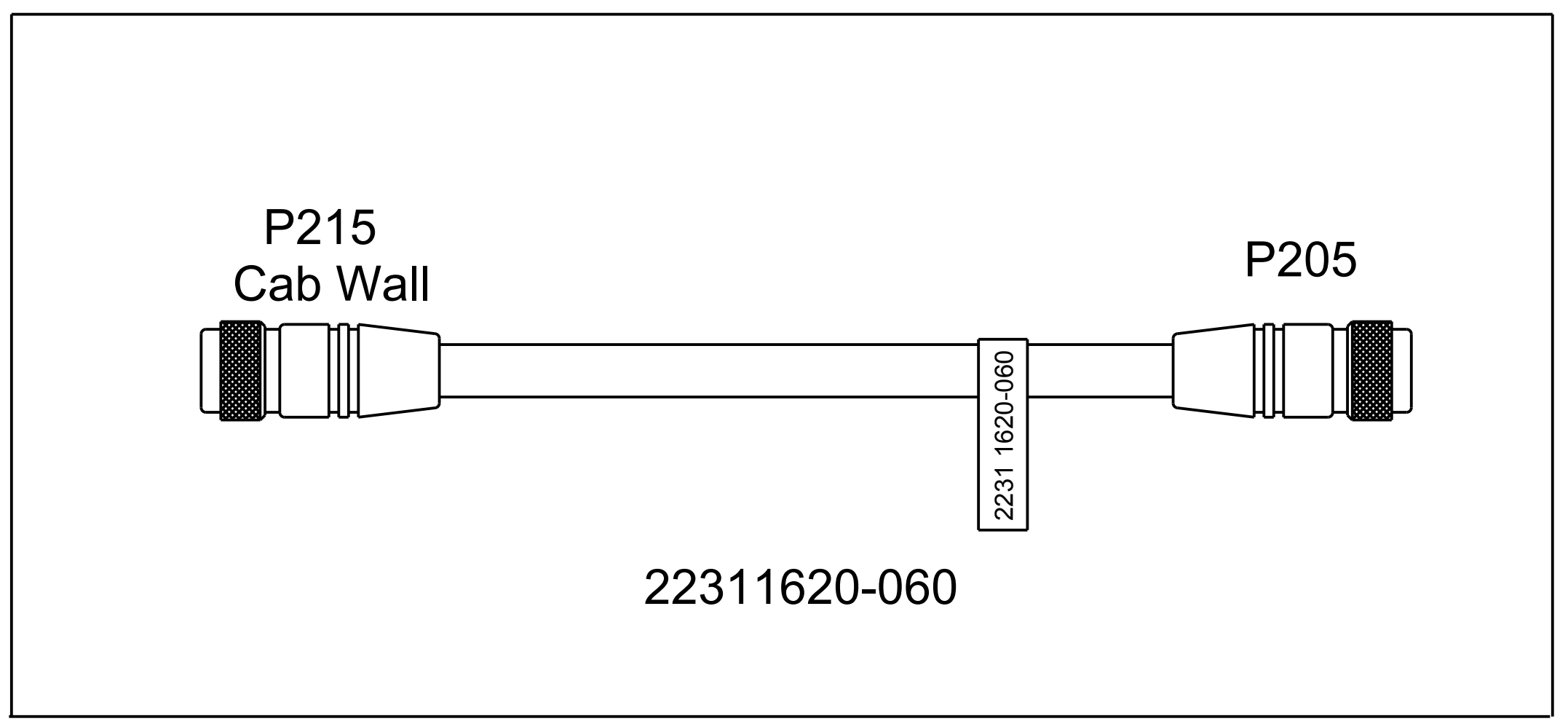
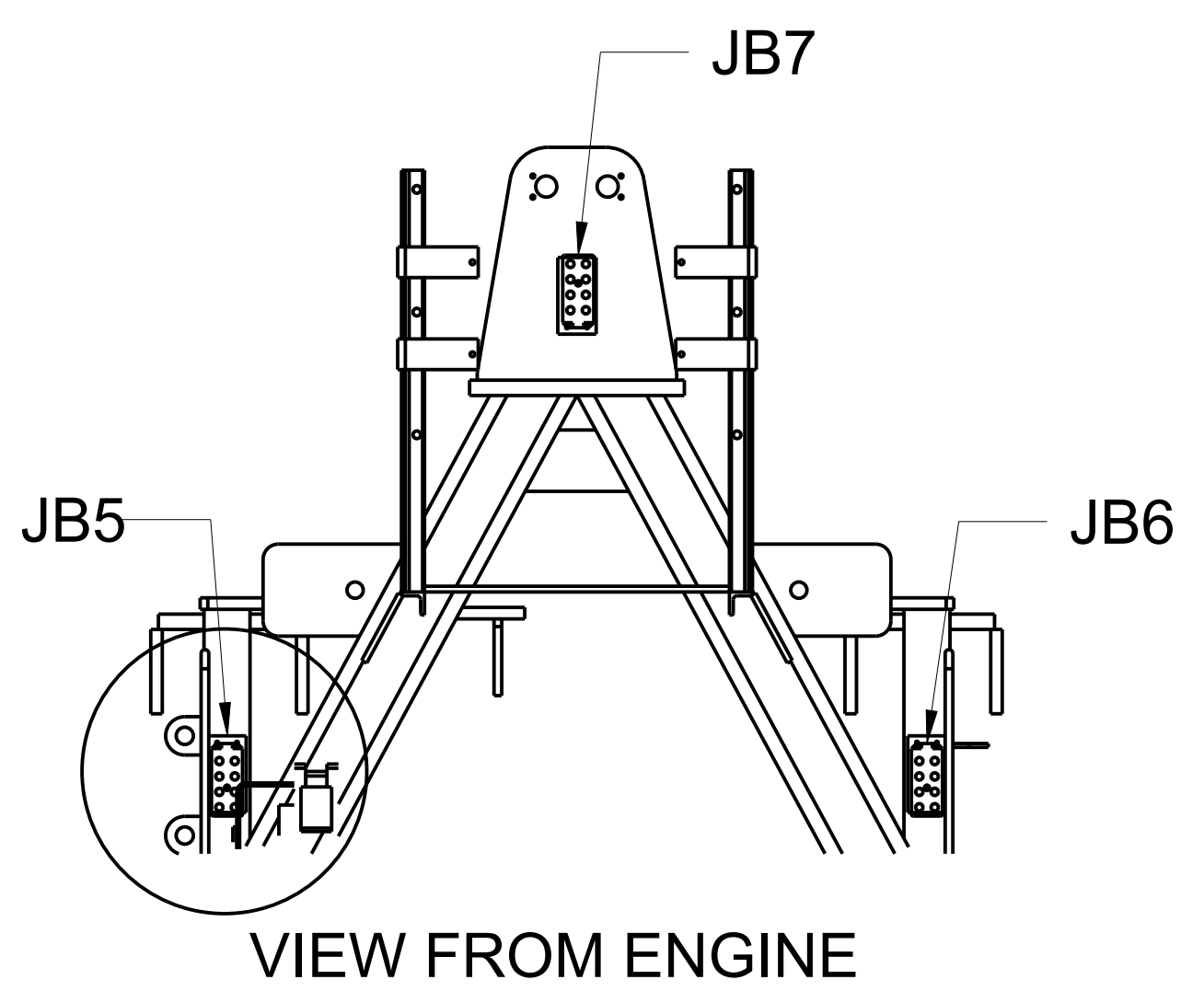


Implement Pump Unloading Valve
 (Mounted next to Pump)

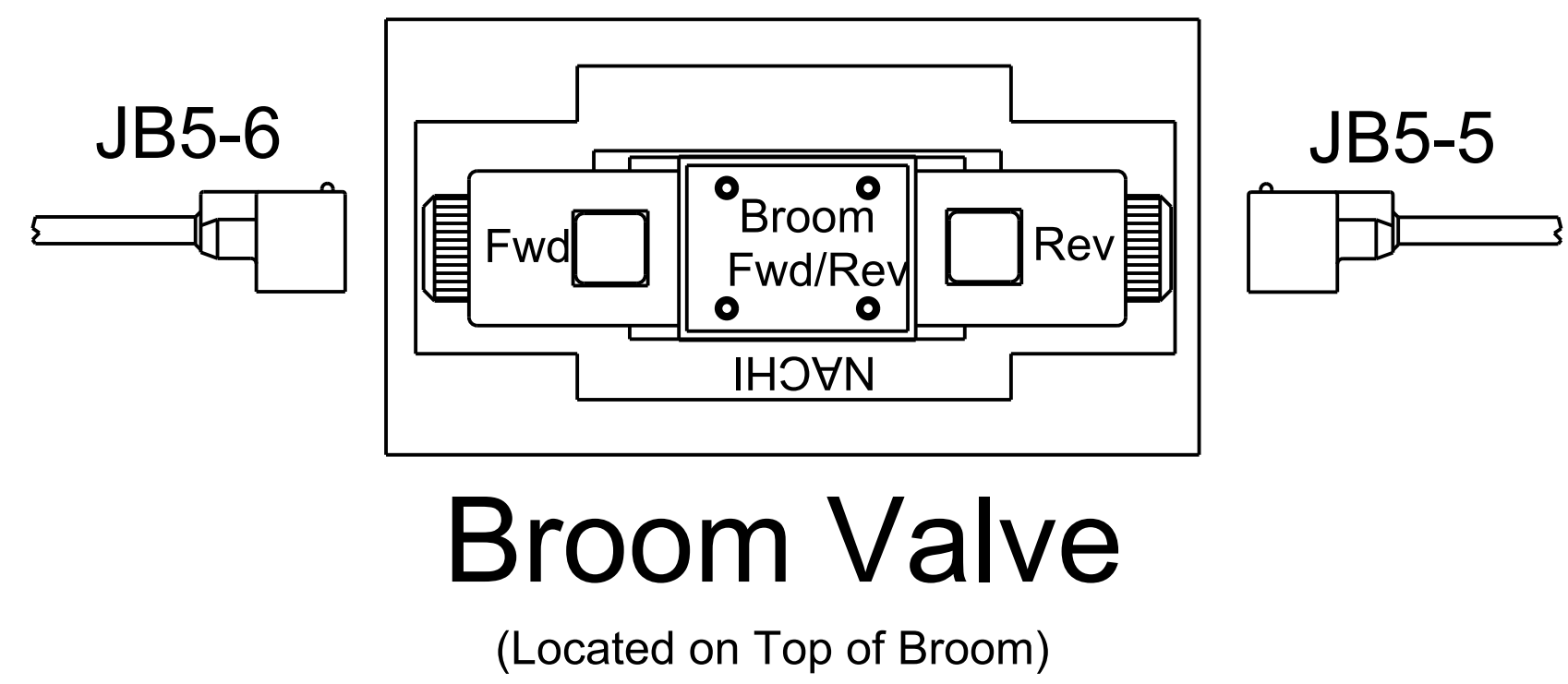
Junction Box 4

CUSTOMARY: ALL DIMENSIONS IN INCHES					
IMPLIED TOLERANCES		PRODUCT: M7 BALLAST REGULATOR			
FRACTION	± .18	DESCRIPTION: M7 CABLING DIAGRAM			
X	± .06	SIZE	SCALE	DRAWING CODE NUMBER	REV.
XX	± .03	D	NTS	97801004DWG	D
XXX	± .010				
		ASSEMBLY: _____			
PLANE ANGLES 45-90°		SHEET 4		OF 12	

REVISION HISTORY LOCATED ON LAST SHEET



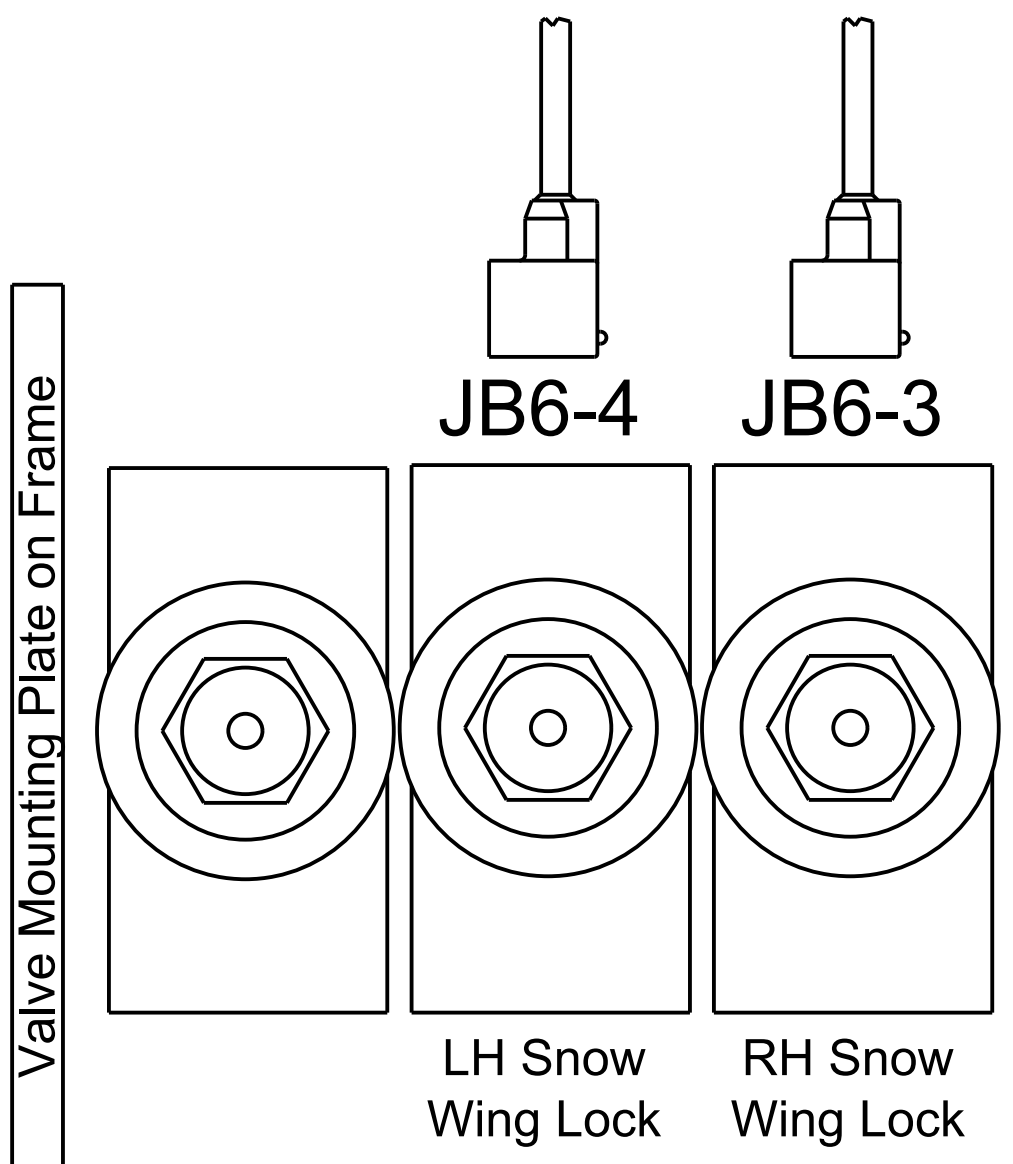
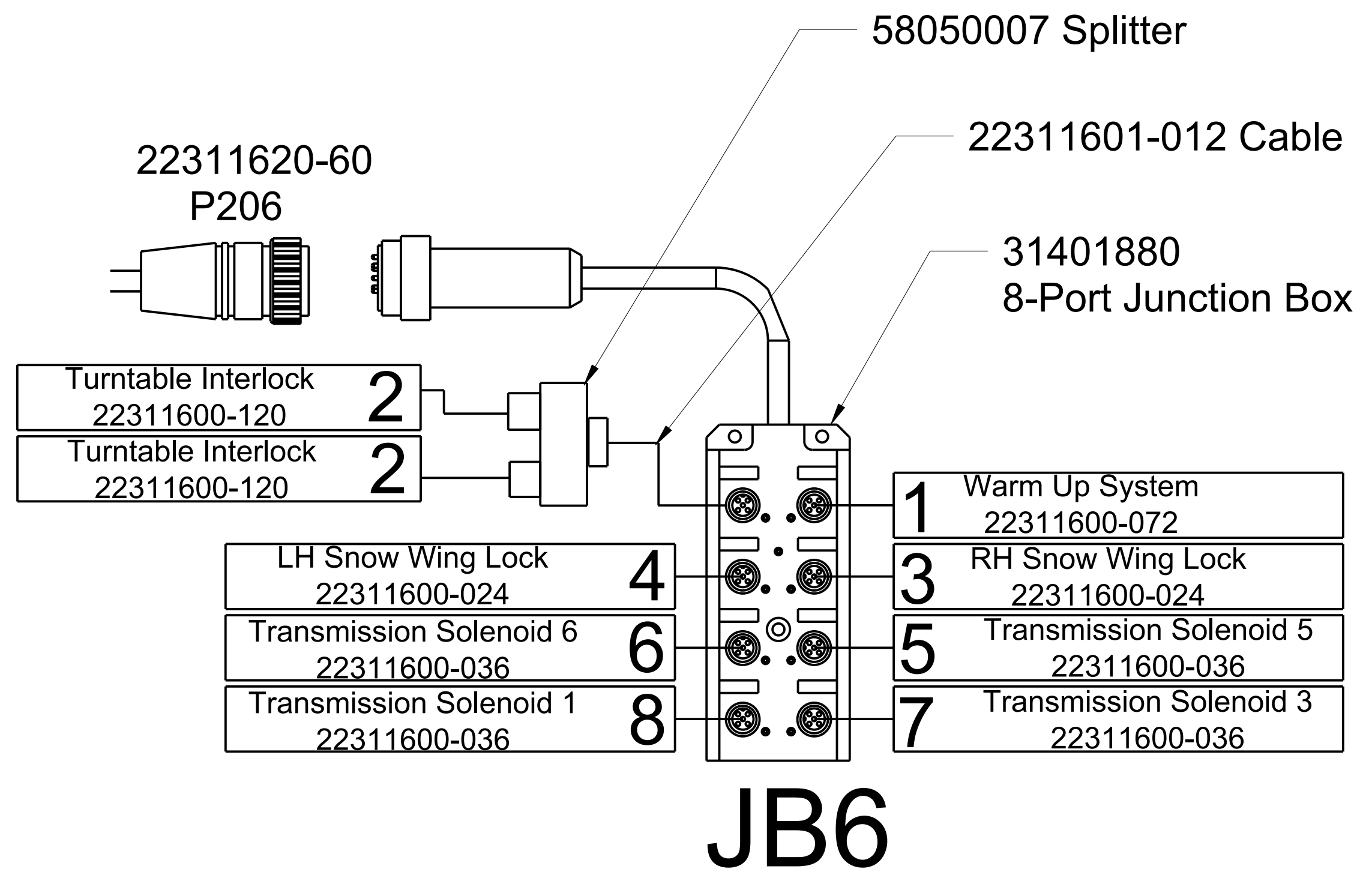
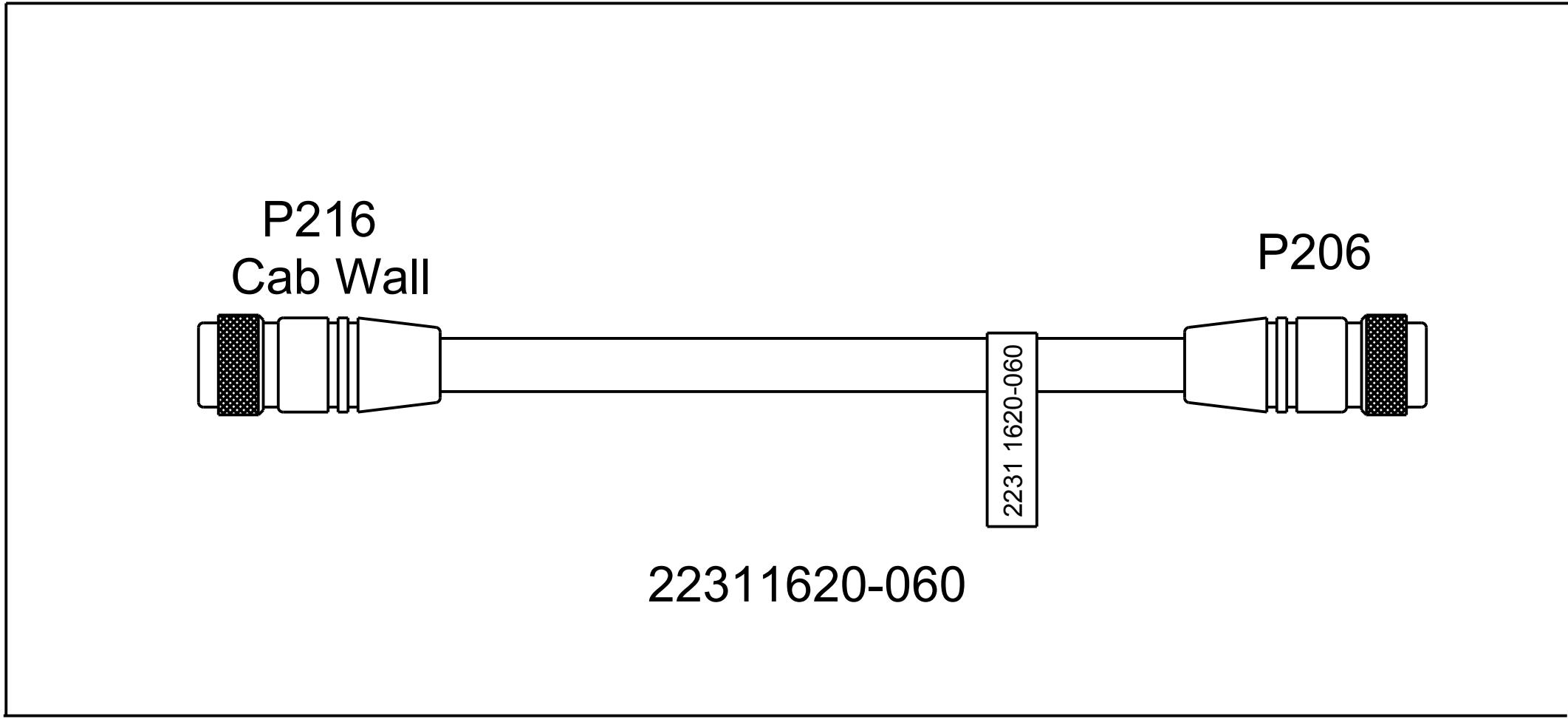
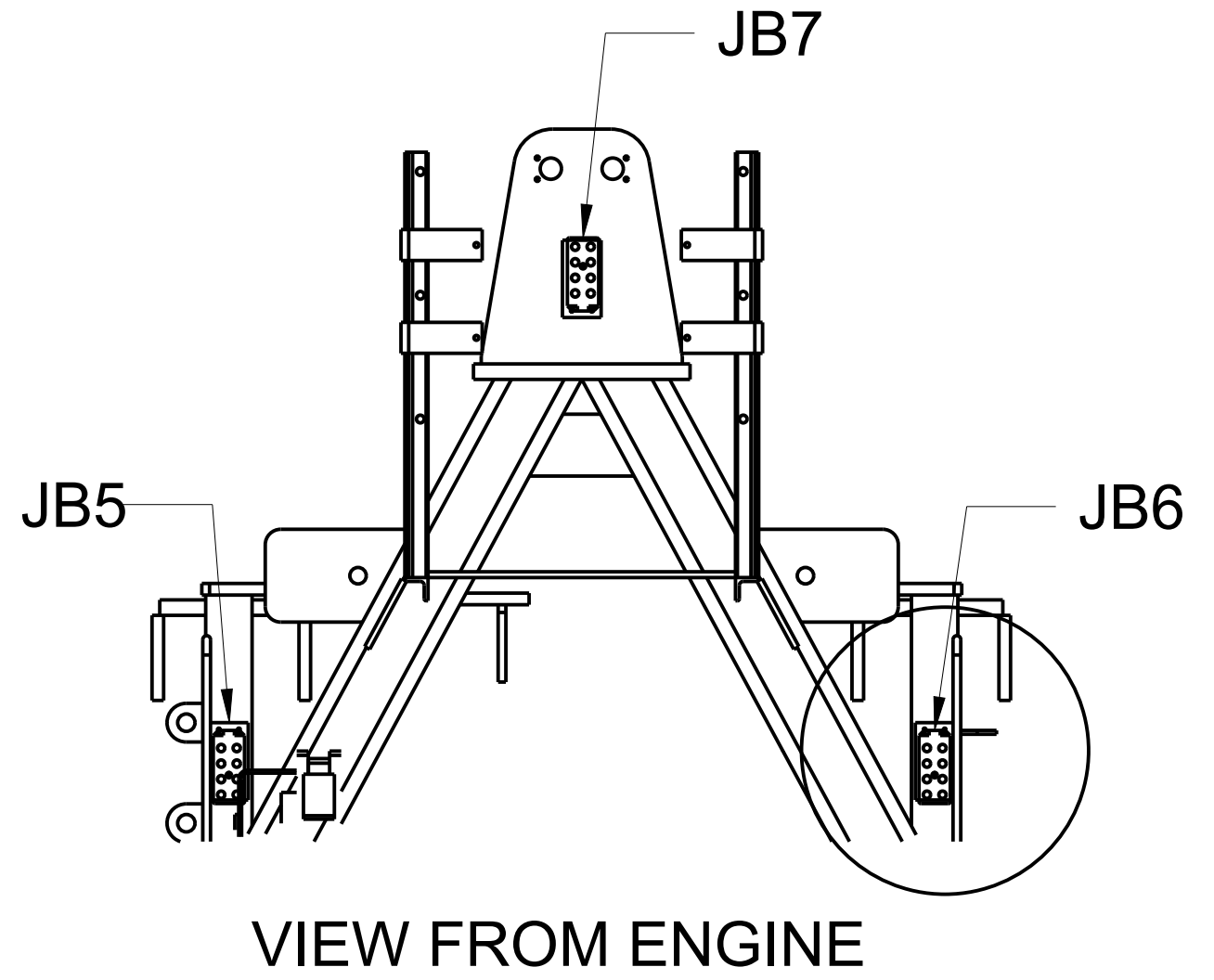
RH Valve Bank
(Top View - Located on Right Front Cab Leg)



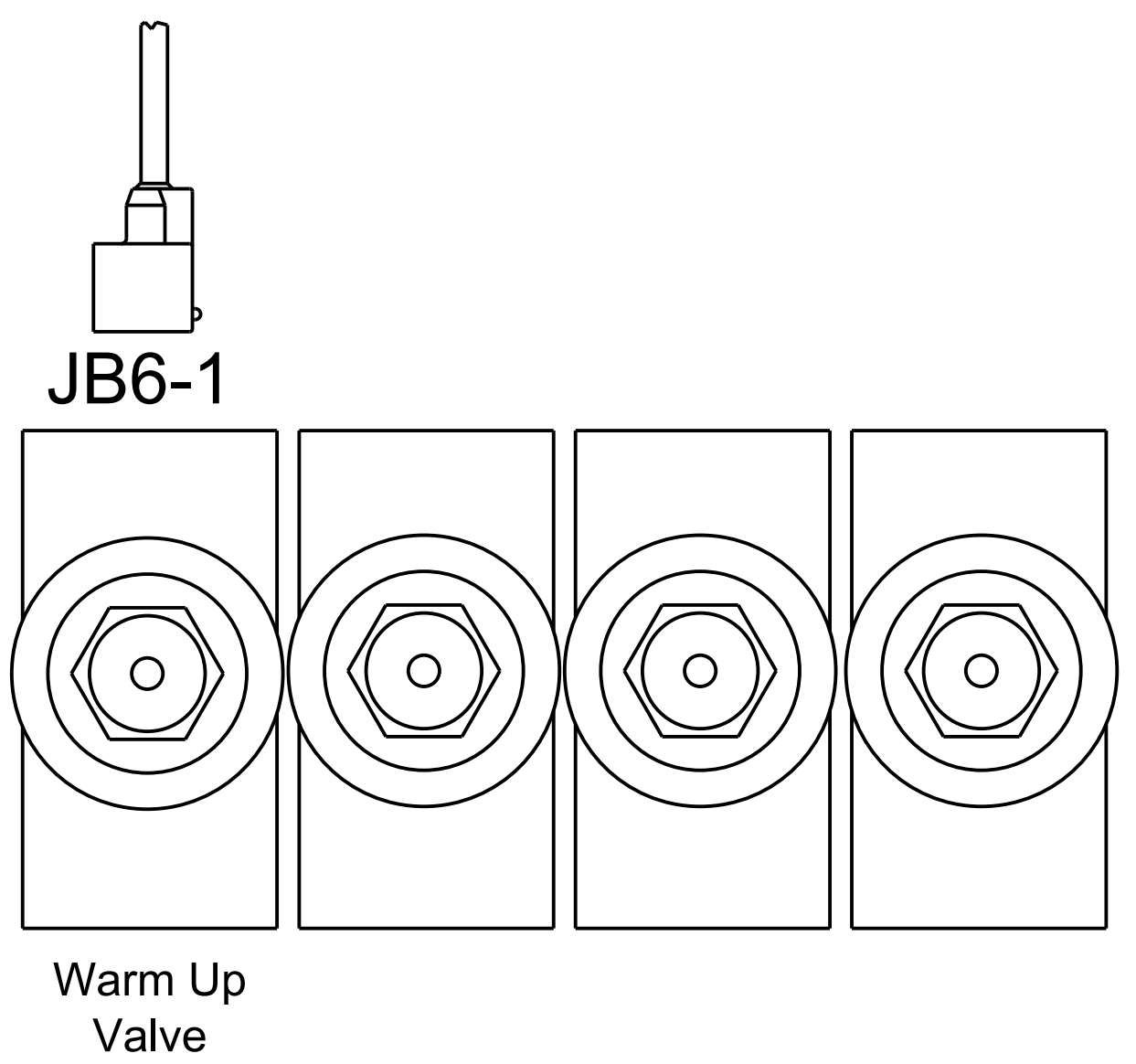
Junction Box 5

CUSTOMARY: ALL DIMENSIONS IN INCHES					
IMPLIED TOLERANCES		PRODUCT: M7 BALLAST REGULATOR			
FRACTION	± .18	DESCRIPTION: M7 CABLING DIAGRAM			
X	± .06	SIZE	SCALE	DRAWING CODE NUMBER	REV.
XX	± .03	D	NTS	97801004DWG	D
XXX	± .010	ASSEMBLY:-		SHEET 5 OF 12	
<small>SEE INCHES FINISH UNLESS OTHERWISE STATED</small>		<small>PLANE ANGLES 45-1°</small>			

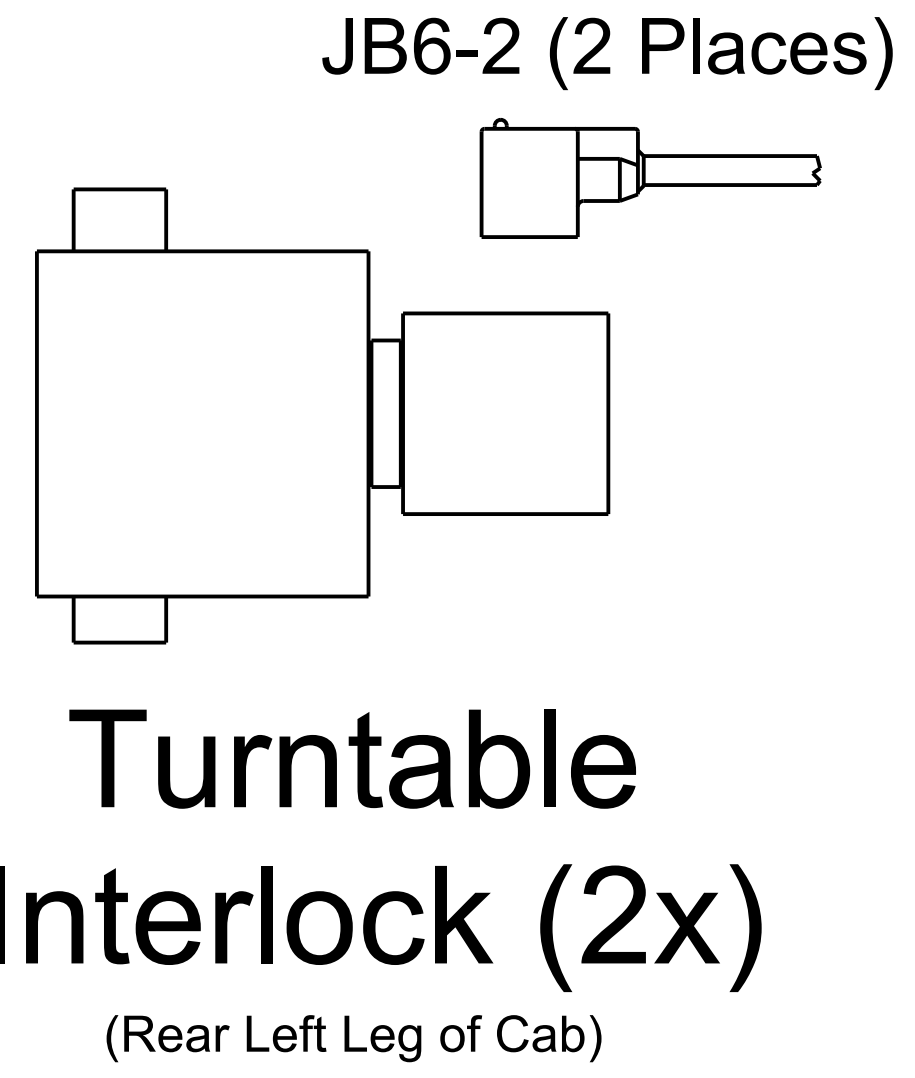
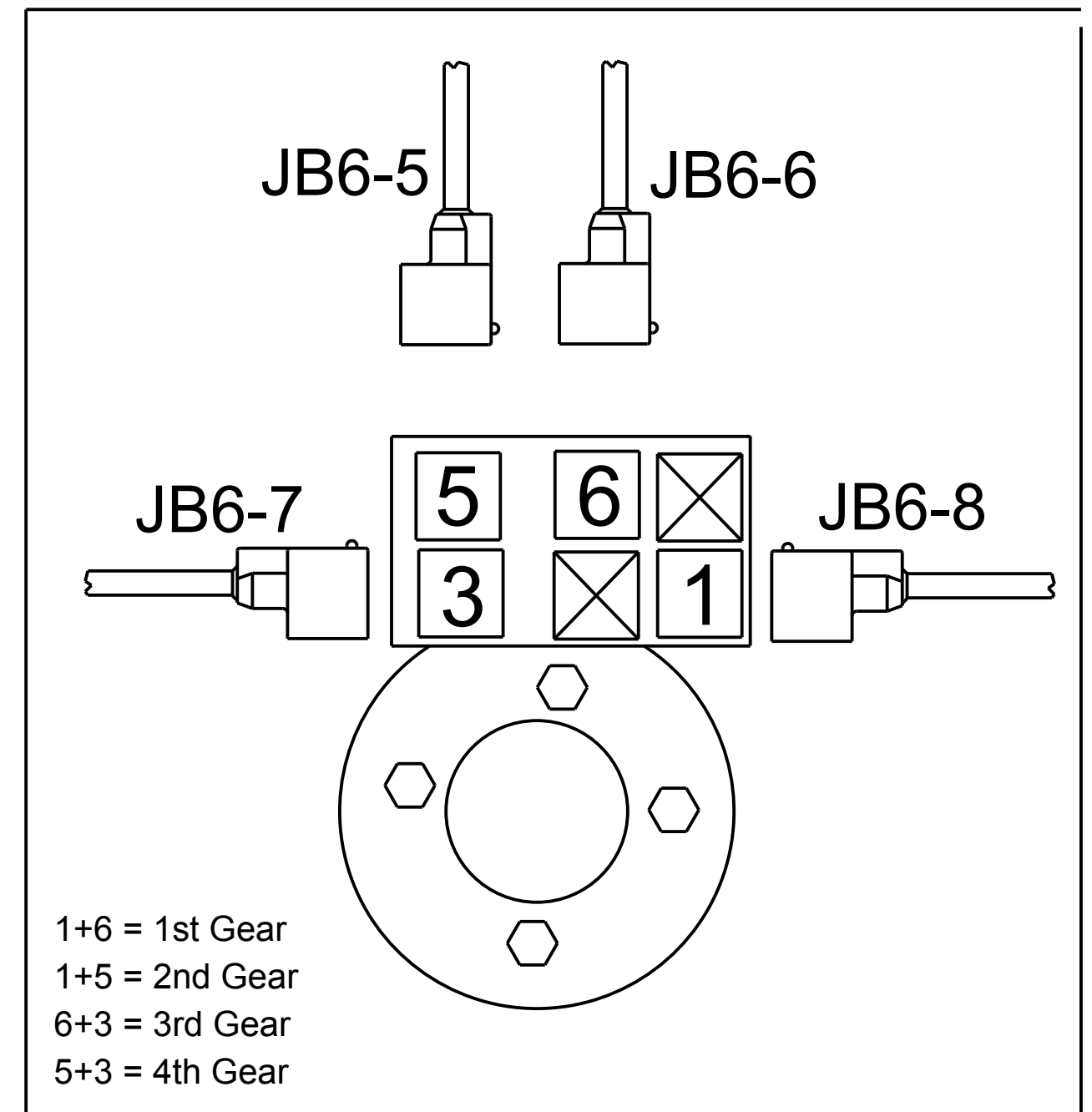
△ REVISION HISTORY LOCATED ON LAST SHEET



LH Valve Bank
 (Top View - Located on Left Front Cab Leg)



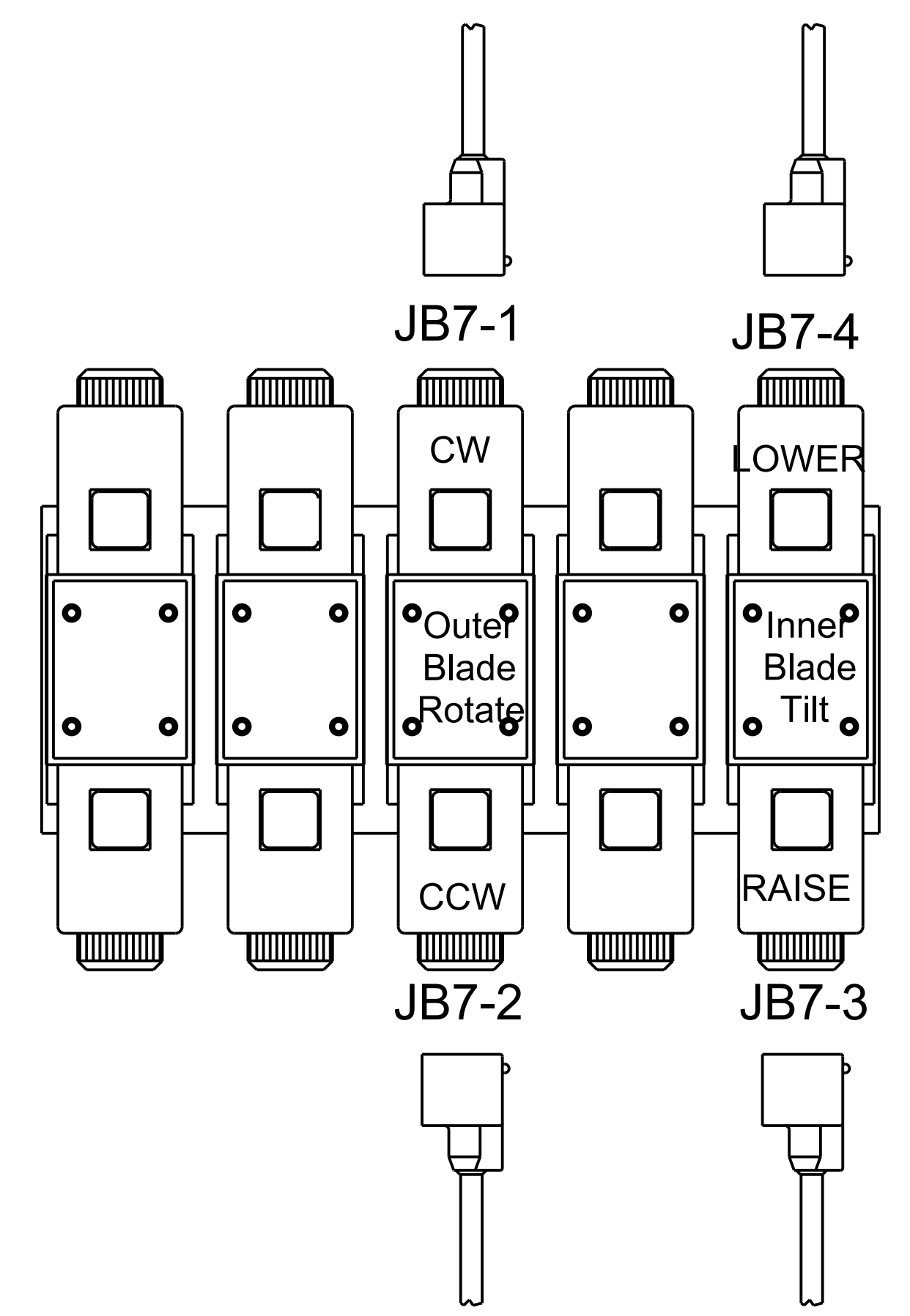
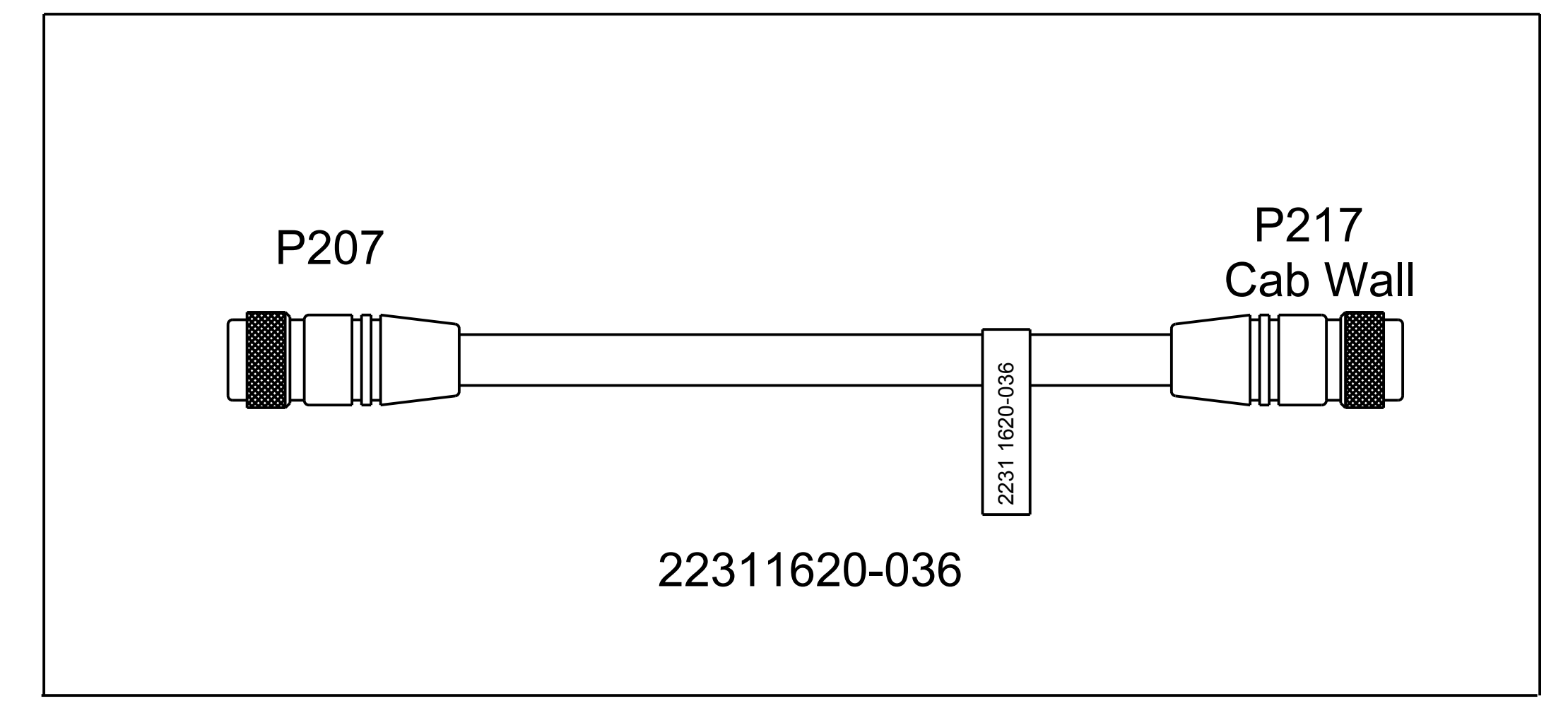
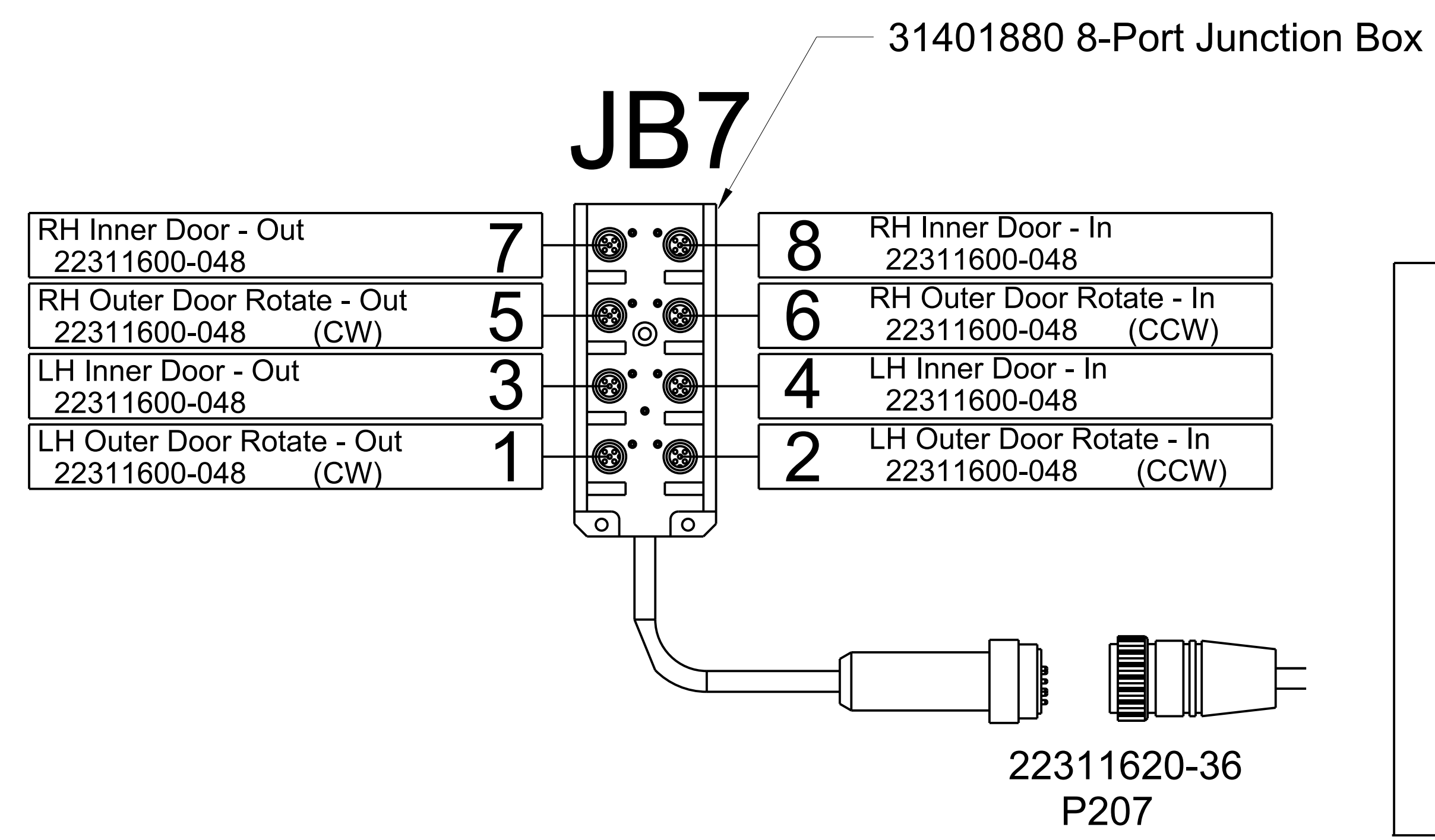
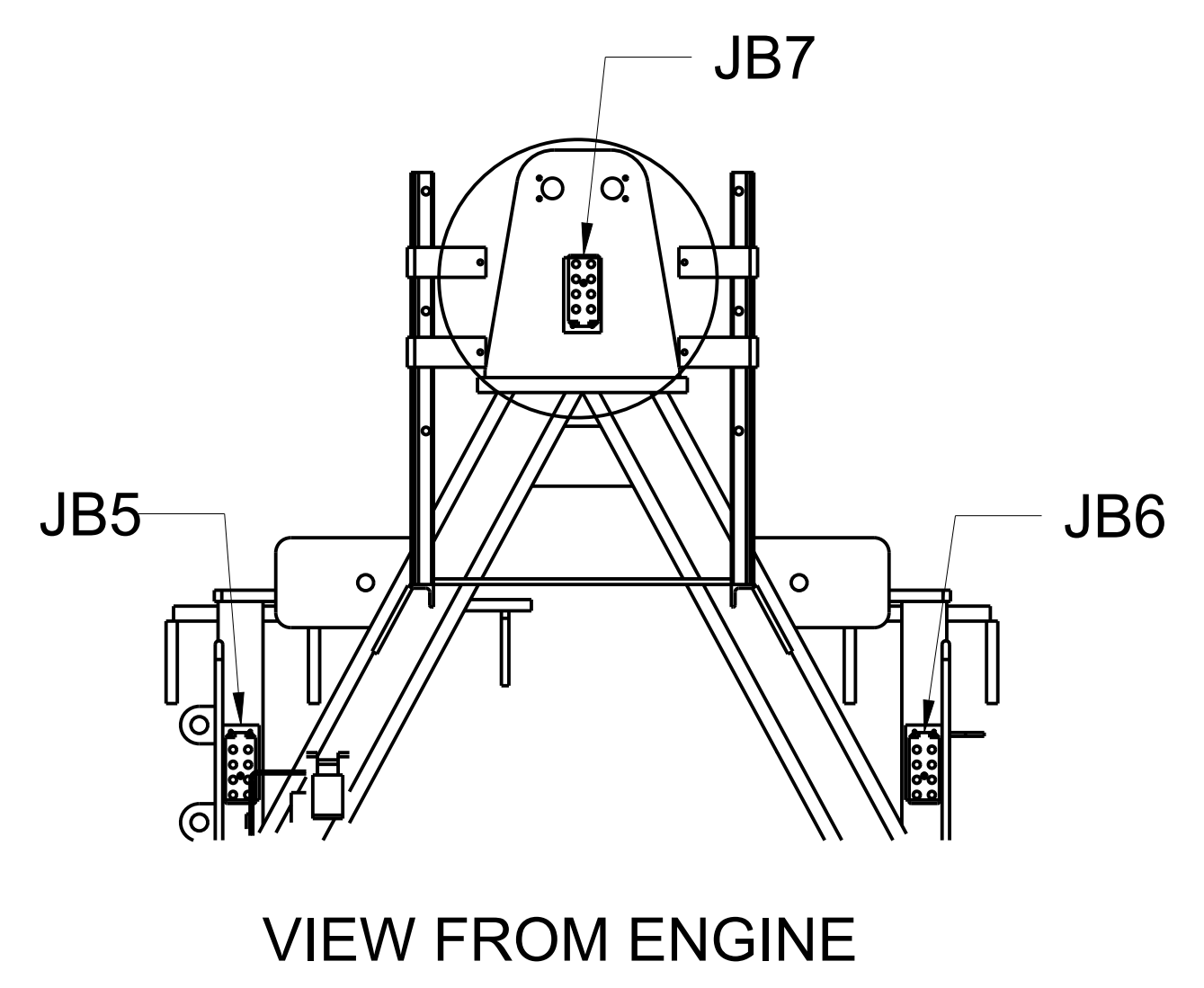
RH Valve Bank
 (Top View - Located on Right Front Cab Leg)



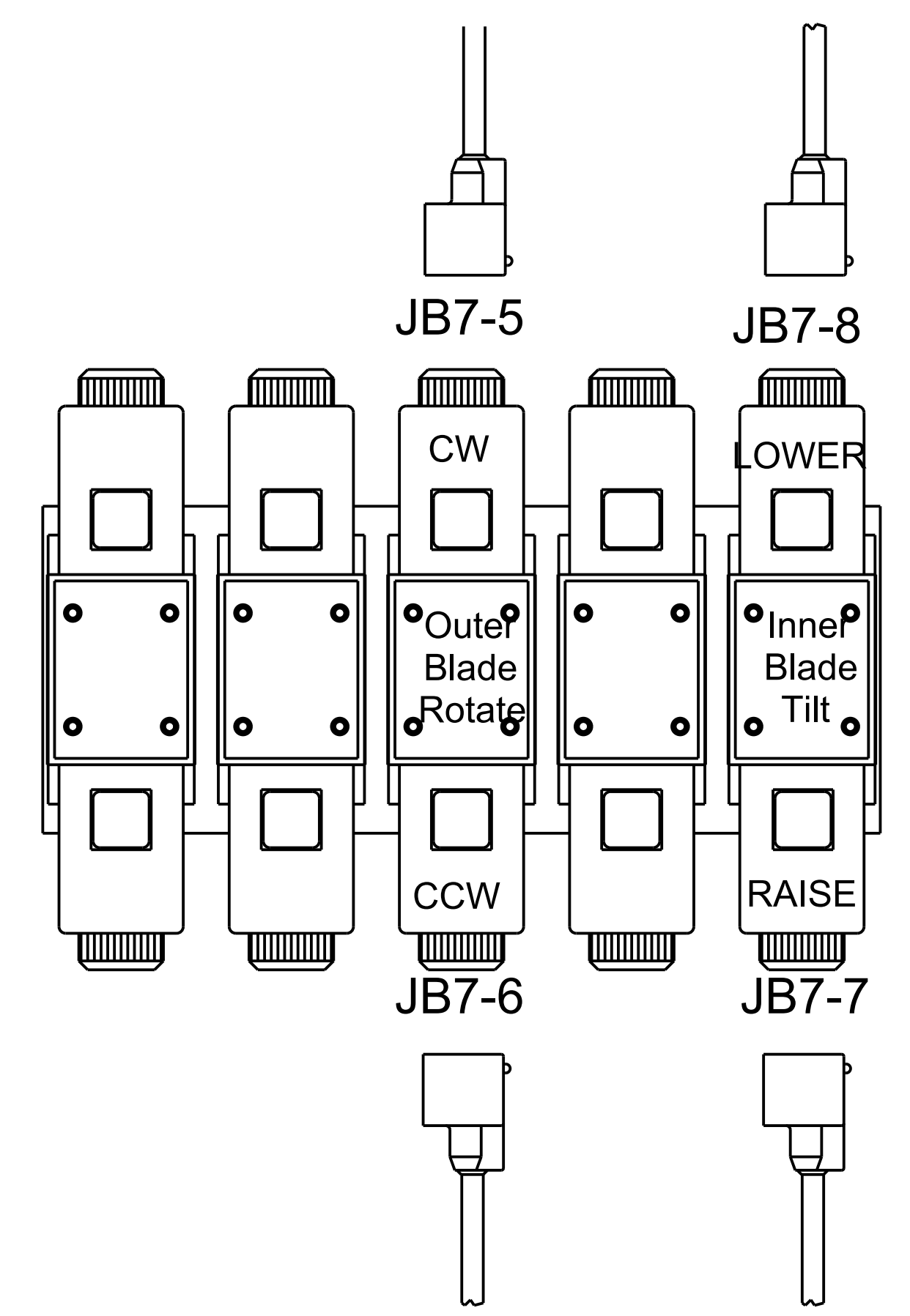
Junction Box 6

CUSTOMARY: ALL DIMENSIONS IN INCHES					
IMPLIED TOLERANCES		PRODUCT: M7 BALLAST REGULATOR			
FRACTION	± .18	DESCRIPTION: M7 CABLING DIAGRAM			
X	± .06	SIZE	SCALE	DRAWING CODE NUMBER	REV.
XX	± .03	D	NTS	97801004DWG	D
XXX	± .010	ASSEMBLY:		SHEET 6	OF 12
PLANE ANGLES 45°-1°					

REVISION HISTORY LOCATED ON LAST SHEET



5-Station Manifold Left

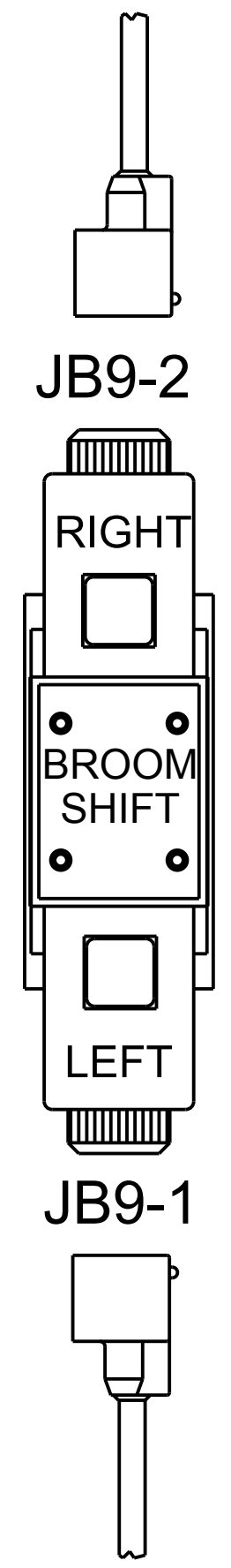
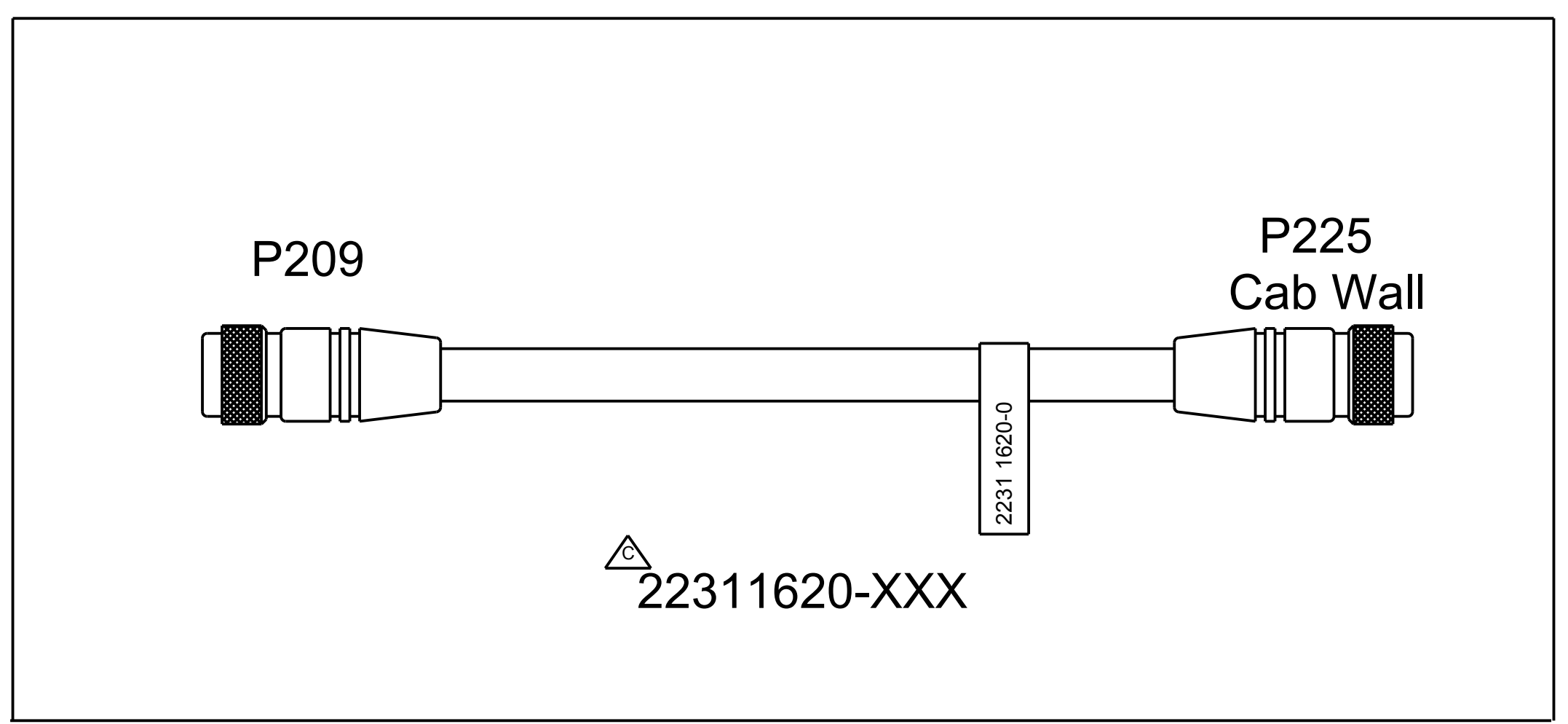
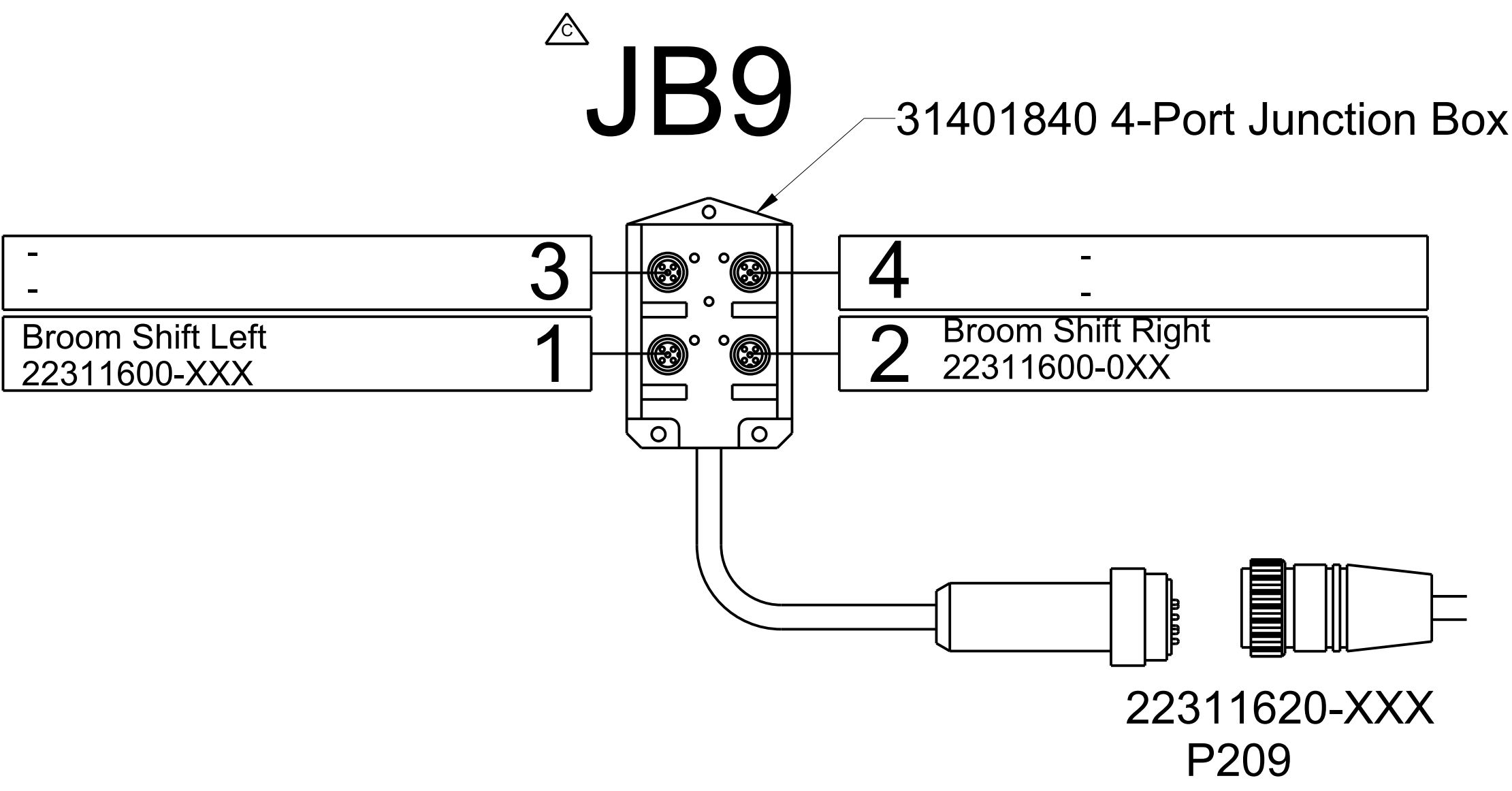


5-Station Manifold Right

Junction Box 7

CUSTOMARY: ALL DIMENSIONS IN INCHES					
IMPLIED TOLERANCES		PRODUCT: M7 BALLAST REGULATOR			
FRACTION	± .18	DESCRIPTION: M7 CABLING DIAGRAM			
X	± .06	SIZE	SCALE	DRAWING CODE NUMBER	REV.
XX	± .03	D	NTS	97801004DWG	D
XXX	± .010	ASSEMBLY:-		SHEET 7 OF 12	
<small>INCHES FINISH UNLESS OTHERWISE STATED</small>		<small>PLANE ANGLES 45-90°</small>			

REVISION HISTORY LOCATED ON LAST SHEET

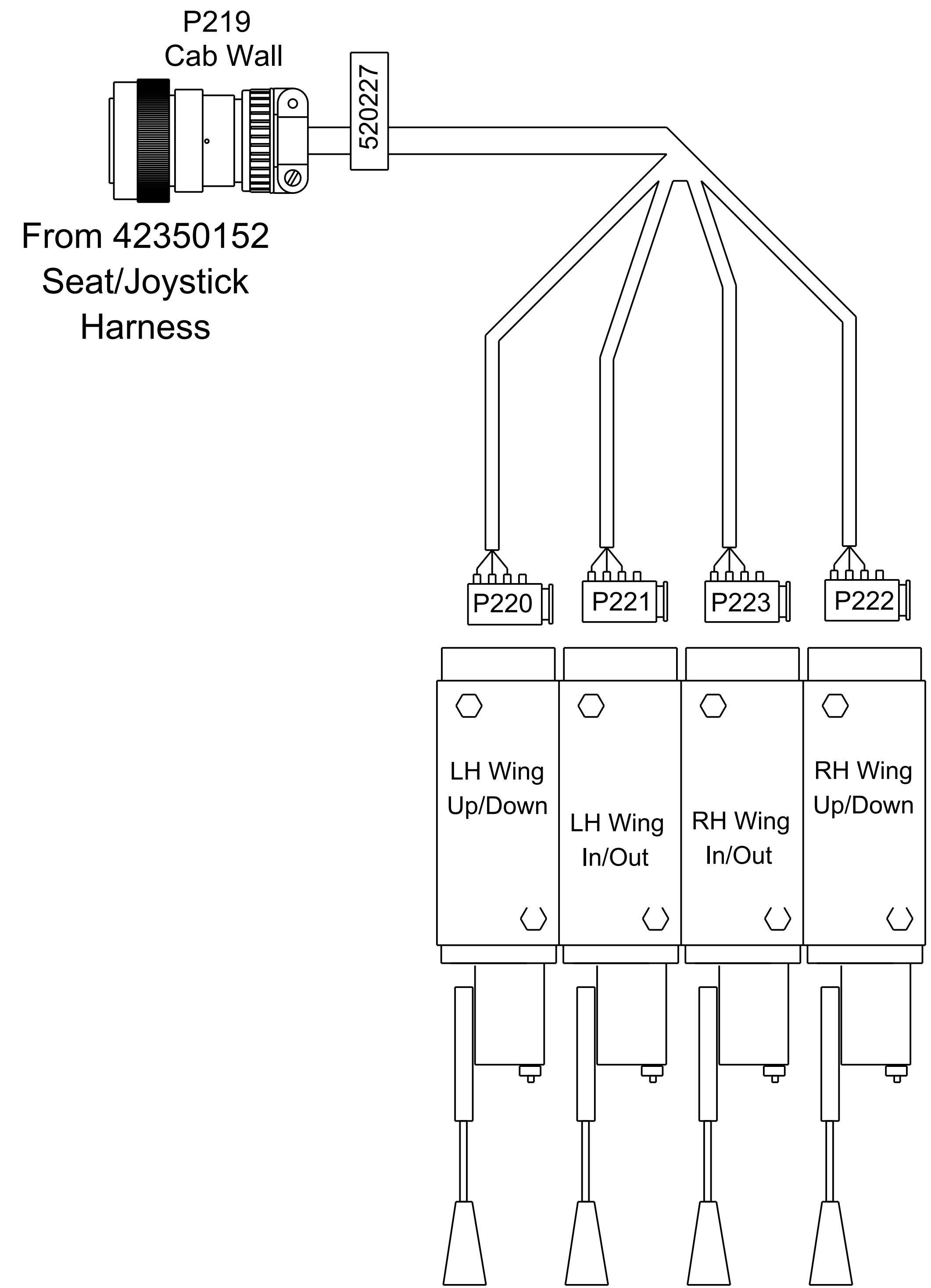


1-Station Manifold

Junction Box 9

CUSTOMARY: ALL DIMENSIONS IN INCHES					
IMPLIED TOLERANCES		PRODUCT: M7 BALLAST REGULATOR			
FRACTION	± .18	DESCRIPTION: M7 CABLING DIAGRAM			
X	± .06	SIZE	SCALE	DRAWING CODE NUMBER	REV.
XX	± .03	D	NTS	97801004DWG	D
XXX	± .010	ASSEMBLY:-		SHEET 8	OF 12
<small>SEE INCHES FINISH UNLESS OTHERWISE STATED</small>		<small>PLANE ANGLES 90-17°</small>			

△ REVISION HISTORY LOCATED ON LAST SHEET

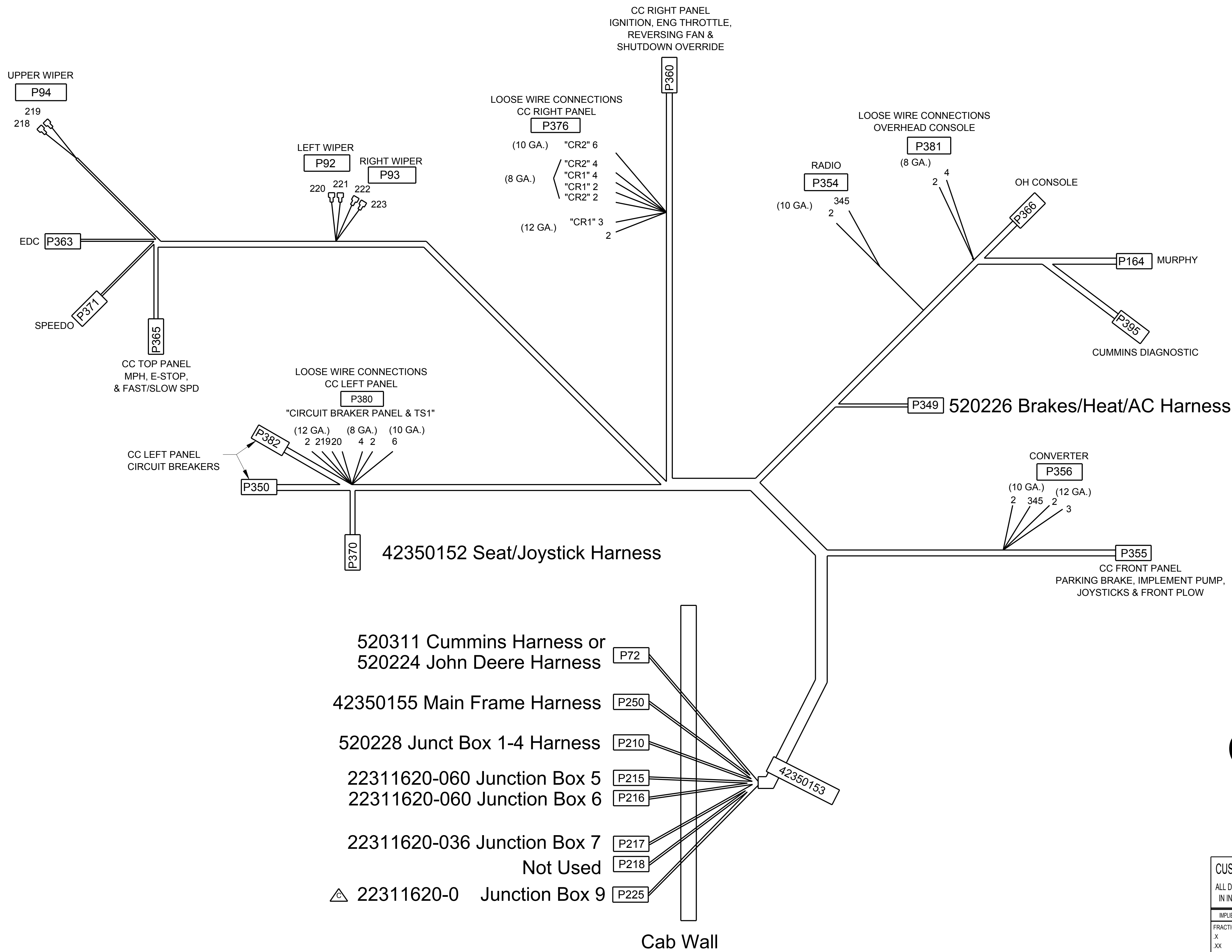


Proportional Control Valve Stack

Miscellaneous

CUSTOMARY: ALL DIMENSIONS IN INCHES					
IMPLIED TOLERANCES		PRODUCT: M7 BALLAST REGULATOR			
FRACTION	± .18	DESCRIPTION: M7 CABLING DIAGRAM			
X	± .06	SIZE	SCALE	DRAWING CODE NUMBER	REV.
XX	± .03	D NTS	97801004DWG	D	SHEET 9 OF 12
XXX	± .010				
		ASSEMBLY:-			
PLANE ANGLES 45-90°					

△ REVISION HISTORY
LOCATED ON LAST SHEET

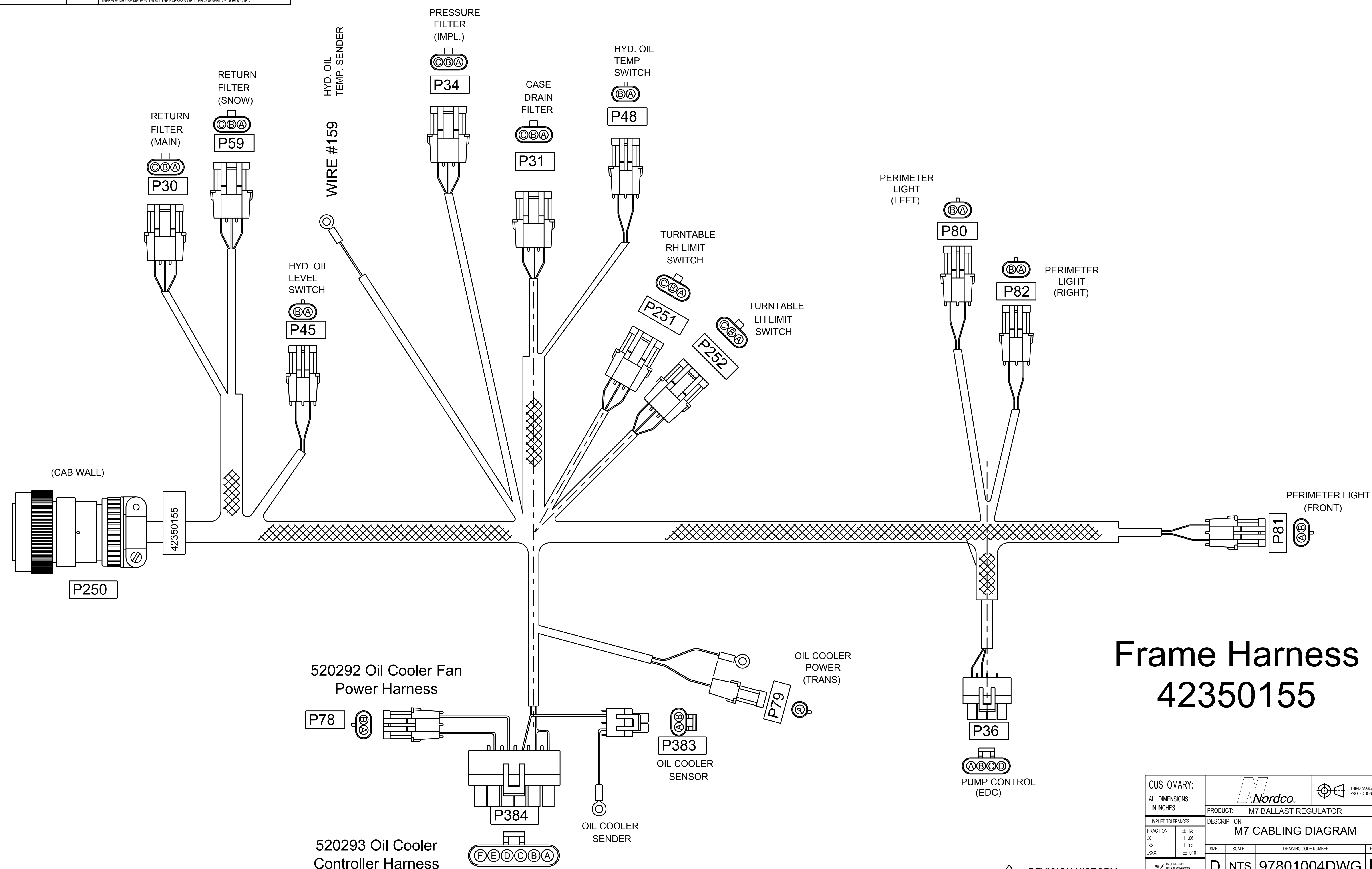


Cab Harness 42350153

- 520311 Cummins Harness or 520224 John Deere Harness
- 42350155 Main Frame Harness
- 520228 Junct Box 1-4 Harness
- 22311620-060 Junction Box 5
- 22311620-060 Junction Box 6
- 22311620-036 Junction Box 7
- Not Used
- △ 22311620-0 Junction Box 9

CUSTOMARY: ALL DIMENSIONS IN INCHES					
IMPLIED TOLERANCES		PRODUCT: M7 BALLAST REGULATOR			
FRACTION	± .18	DESCRIPTION: M7 CABLING DIAGRAM			
X	± .06	SIZE	SCALE	DRAWING CODE NUMBER	REV.
XX	± .03	D	NTS	97801004DWG	D
XXX	± .010	ASSEMBLY:-		SHEET 10 OF 12	
		REVISION HISTORY LOCATED ON LAST SHEET			

△ REVISION HISTORY
LOCATED ON LAST SHEET



Frame Harness 42350155

CUSTOMARY:					
ALL DIMENSIONS IN INCHES		PRODUCT: M7 BALLAST REGULATOR			
IMPLIED TOLERANCES		DESCRIPTION: M7 CABLING DIAGRAM			
FRACTION	± .18	SIZE	SCALE	DRAWING CODE NUMBER	REV.
X	± .06	D	NTS	97801004DWG	D
XX	± .03				
XXX	± .010				
INCHES FINISH UNLESS OTHERWISE STATED		ASSEMBLY:		SHEET 11 OF 12	
PLANE ANGLES 45-90°					

REVISION HISTORY LOCATED ON LAST SHEET

ECO	600134	REV -	
DRAWN BY:	CHECKED BY:	APPROVED BY:	
B.JH/MKS 10/29/09	SCR 12/04/09		
SHEET	CHANGE		
ALL	NEW ISSUE		



ECO	NONE	REV A	
DRAWN BY:	CHECKED BY:	APPROVED BY:	
SWA 01/18/10	SCR 01/20/10		
SHEET	CHANGE		
1	RH VALVE BANK - JB6-1 WARM UP AND JB5-8 BROOM CARRIER ADDED		
4	JB4-6 22311600-060 WAS 22311600-084 RH VALVE BANK WAS LH VALVE BANK- JB4-6 TT POWER LOCKUP WAS JB4-3 TRACK DRIVE MOTOR VALVE JB1-1 FRONT PLOW LOCK WAS JB4-6 TT POWER LOCKUP		

ECO	600185	REV B	
DRAWN BY:	CHECKED BY:	APPROVED BY:	
MKS 03/01/10			
SHEET	CHANGE		
3	LH 5-STATION MANIFOLD HAD THE "IN" & "OUT" DIN CABLES SWITCHED.		
5	RH VALVE BANK WAS SHOWN WITH LH VALVE BANK ARRANGEMENT.		
6	SWITCHED POSITIONS OF LH & RH VALVE BANKS SO LH IS ON LEFT SIDE.		

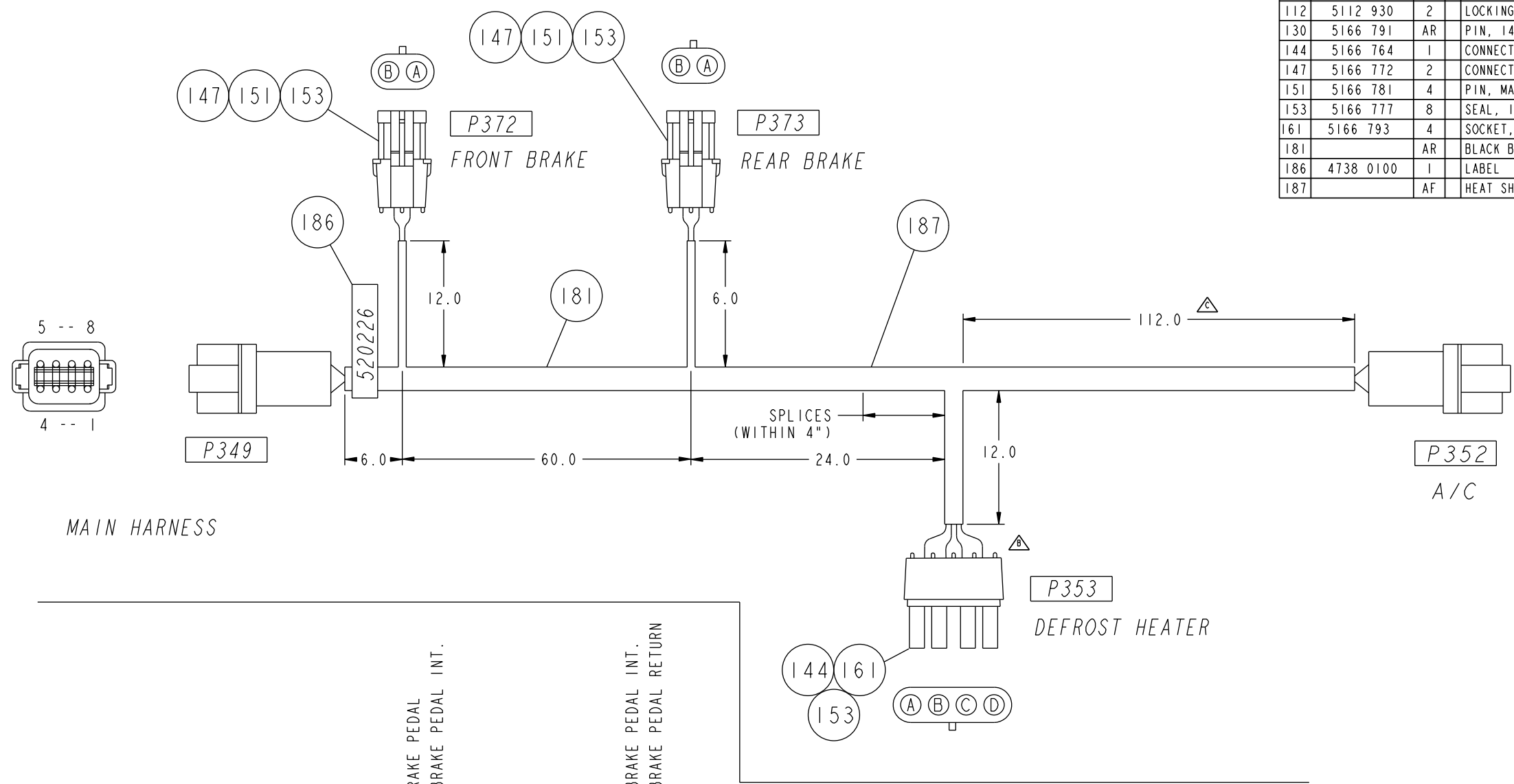
ECO	600688	REV C	
DRAWN BY:	CHECKED BY:	APPROVED BY:	
SWA 05-25-12			
SHEET	CHANGE		
8	JUNCTION BOX 9, MANIFOLD & CABLE ADDED PROPORTIONAL CONTROL VALVE STACK MOVED TO SHEET 10		
9	PROPORTIONAL CONTROL VALVE STACK WAS ON SHEET 9 CAB HARNESS 42350153 MOVED TO SHEET 10.		
10	CAB HARNESS 42350153 WAS ON SHEET 9. P225 ADDED TO 42350153 AT CAB WALL. FRAME HARNESS 42350155 MOVED TO SHEET 11		
11	FRAME HARNESS 42350155 WAS ON SHEET 10. REVISION HISTORY MOVED TO SHEET 12.		
12	REVISION HISTORY ADDED TO SHEET 12.		

ECO	601301	REV D	
DRAWN BY:	CHECKED BY:	APPROVED BY:	
CP 26-MAY-14			
SHEET	CHANGE		
4	JB4-3, "SEE NOTE 1" WAS 22311600-072. NOTE 1 ADDED FOR USAGE EXPLANATION.		

REVISION HISTORY
LOCATED ON THIS SHEET

CUSTOMARY: ALL DIMENSIONS IN INCHES					
IMPLIED TOLERANCES		PRODUCT: M7 BALLAST REGULATOR			
FRACTION	± .18	DESCRIPTION: M7 CABLING DIAGRAM			
X	± .06				
XX	± .03				
XXX	± .010				
SIZE		SCALE	DRAWING CODE NUMBER	REV.	
D		NTS	97801004DWG	D	
PLANE ANGLES 45-1°		ASSEMBLY:-		SHEET 12 OF 12	

BILL OF MATERIALS					
ITEM NO.	PART NUMBER OR MATERIAL	QTY. REQ.	P. L.	PART NAME	DWG. SIZE
110	5166 808	2		RECEPTACLE, 8-PIN, DEUTSCH #DT04-8P	P349,P352
112	5112 930	2		LOCKING WEDGE, FOR 8 PIN RECEPTACLE, DEUTSCH #W8P	P349,P352
130	5166 791	AR		PIN, 14-16 GA, DEUTSCH #0460-215-16141	P349,P352
144	5166 764	1		CONNECTOR, FEMALE 4-POLE, PACKARD #12015797	P353
147	5166 772	2		CONNECTOR, MALE 2-POLE, PACKARD #12010973	P372,P373
151	5166 781	4		PIN, MALE, 14-16 GA, PACKARD #12124582	
153	5166 777	8		SEAL, 16 GA OR SMALLER, PACKARD #12015284	
161	5166 793	4		SOCKET,FEMALE 14-16 GA, PACKARD #12124580	
181		AR		BLACK BRAIDING MATERIAL	
186	4738 0100	1		LABEL PANDUIT T400X000VX1Y	
187		AF		HEAT SHRINK TUBING 1/4" POLYOLEFIN	



- NOTE:
1. ATTACH PANDUIT LABEL (ITEM 186) NEAR P349 END.
 2. LABEL ALL WIRES WITHIN 2 INCHES OF BOTH ENDS. LABEL ON WIRE, NOT TERMINAL
 3. WIRE TO BE STRANDED COPPER, SXL OR GXL TYPE OR APPROVED EQUIV. GAUGE AND COLOURS AS INDICATED.
 4. SPLICES TO BE IN LOCATIONS INDICATED. ALL SPLICES TO BE SOLDERED AND WRAPPED WITH HEAT SHRINK ITEM 187. STAGGER SPLICES TO PREVENT BULGING.
 5. LABEL ALL CONNECTORS.
 6. COLOURS INDICATED AT P353 & P352 ARE FOR REFERENCE ONLY.

- P349
- 1 - BRAKE PEDAL - 49
 - 2 - BRAKE PEDAL RETURN - 393
 - 3 - A/C ON SIGNAL - 377
 - 4 - +24VDC POWER, CB54 - 21
 - 5 - GROUND - 2
 - 6 - +24VDC POWER, CB56 - 23
 - 7 - GROUND - 2
 - 8 -

- P372
- A - 49 - BRAKE PEDAL
 - B - 392 - BRAKE PEDAL INT.

- P373
- A - 392 - BRAKE PEDAL INT.
 - B - 393 - BRAKE PEDAL RETURN

- P352
- 1 - 16 GA. BLACK
 - 2 - 14 GA. RED
 - 3 - 14 GA. GREEN
 - 4 - 16 GA. RED
 - 5 - 16 GA. BLACK
 - 6 - 16 GA. BLACK
 - 7 - 16 GA. BLACK
 - 8 -

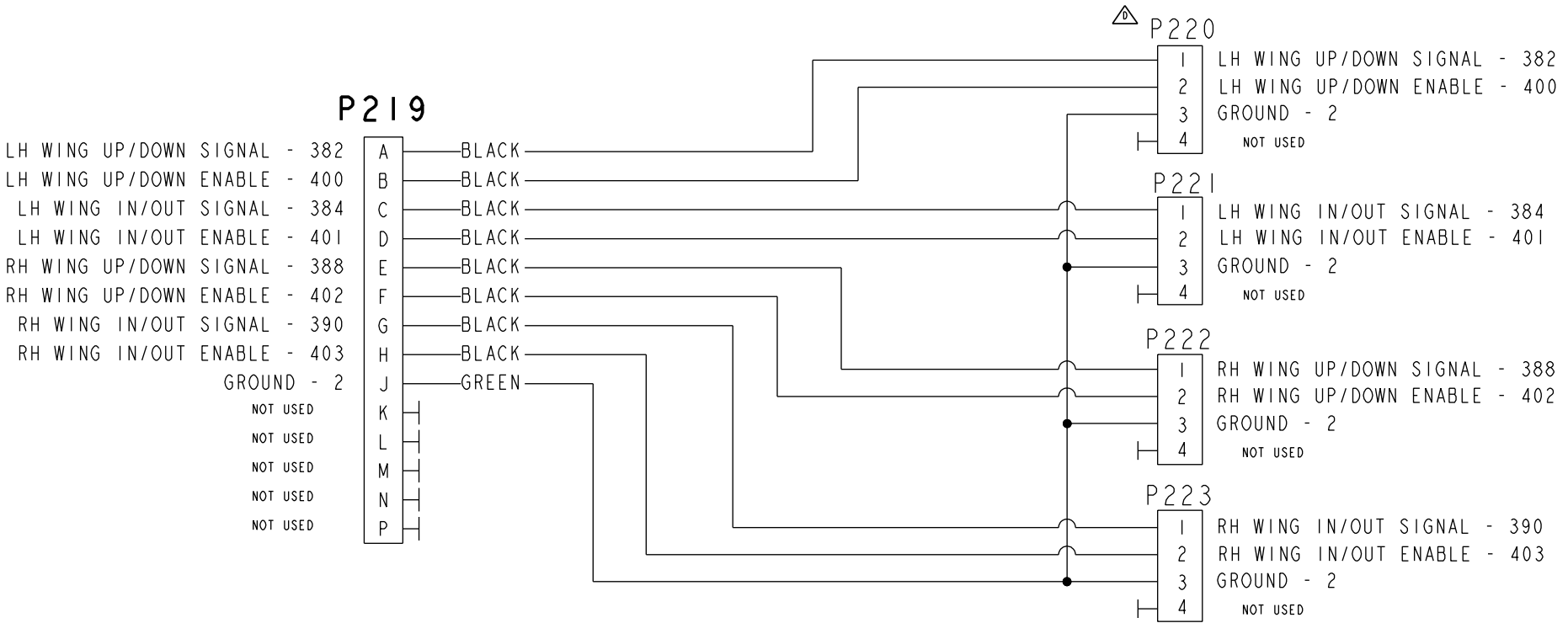
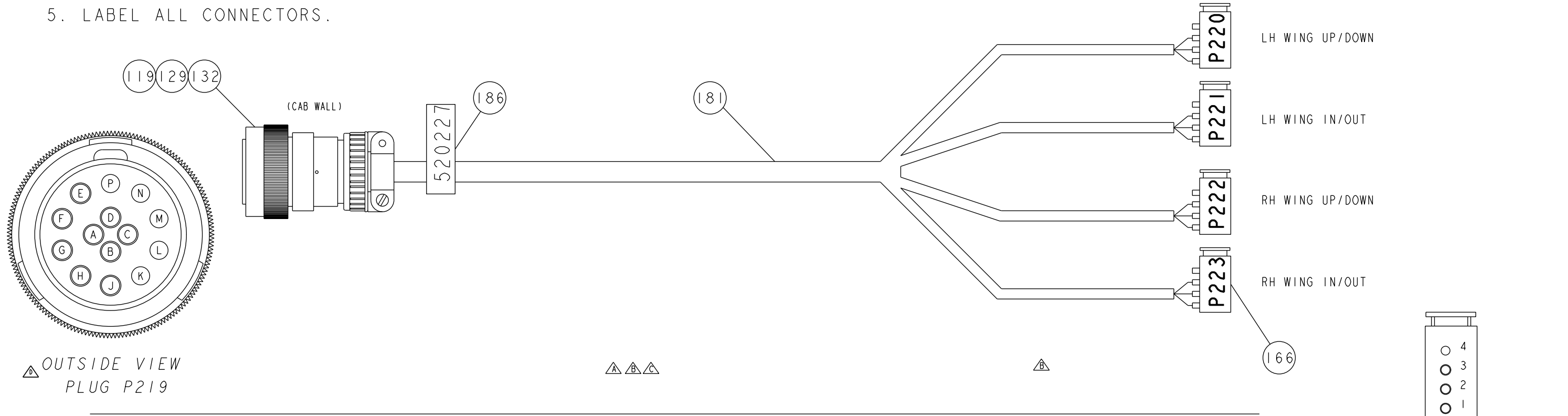
- P353
- A - 418 - HIGH (ORANGE)
 - B - 417 - MED (RED)
 - C - 416 - LOW (YELLOW)
 - D - 2 - GROUND (BLACK)

P352 BREAKOUT LENGTH WAS 168.0		LCP	03/04/11	600296	FRACTION	± 1/8
CORRECTED PICTURE OF MALE CONNECTOR, ITEM 144		BJB	4-22-10	SR	5/31/10	± .06
ADDED COLOUR DESIGNATIONS TO P362		AJB	24-SEP-07	SW	6/01/10	± .03
NEW ISSUE		JHW	13-OCT-06	CP	13-OCT-06	± .010
DATE:	DATE:	DATE:	DATE:	E.C.O. #	PLANE ANGLES ± 1°	

CUSTOMARY: ALL DIMENSIONS IN INCHES		IMPLIED TOLERANCES		FRACTION	
PRODUCT: M7		DESCRIPTION: HARNESS, BRAKE PEDALS, DEFROST AND A/C		SIZE	
DRAWING CODE NUMBER		REV.		SCALE	
520226		C		D NTS	
SHEET 1 OF 1		ASSEMBLY: -			

ITEM NO.	PART NUMBER OR MATERIAL	QTY. REQ.	PART DESCRIPTION	DESIGNATION
119	5120 768	1	PLUG, 14-PORT DEUTSCH #HD46-18-14-SN	P219
129	5166 796	9	SOCKET, 14-16 GA DEUTSCH #0462-209-16141	
132	5166 788	5	SEALING PLUG, 12-16 GA DEUTSCH #114017	
166	520230	4	CONNECTOR, 4 POLE W/ PINS (AMP) SAUER DANFOSS #157B4992	P220-P223
181		AR	BLACK BRAIDING MATERIAL	
186	4738 0100	1	LABEL PANDUIT T400X000VXIY	

- NOTE:
- ATTACH PANDUIT LABEL (ITEM 186) NEAR P219 END.
 - LABEL ALL WIRES WITHIN 2 INCHES OF BOTH ENDS. LABEL ON WIRE, NOT TERMINAL
 - WIRE TO BE STRANDED COPPER, 16 GAUGE, SXL OR GXL TYPE OR APPROVED EQUIV. COLORS AS INDICATED.
 - SPLICES TO BE IN LOCATIONS INDICATED. ALL SPLICES TO BE SOLDERED AND WRAPPED WITH HEAT SHRINK.
 - LABEL ALL CONNECTORS.

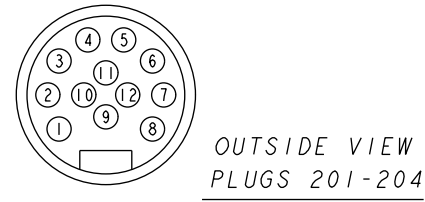
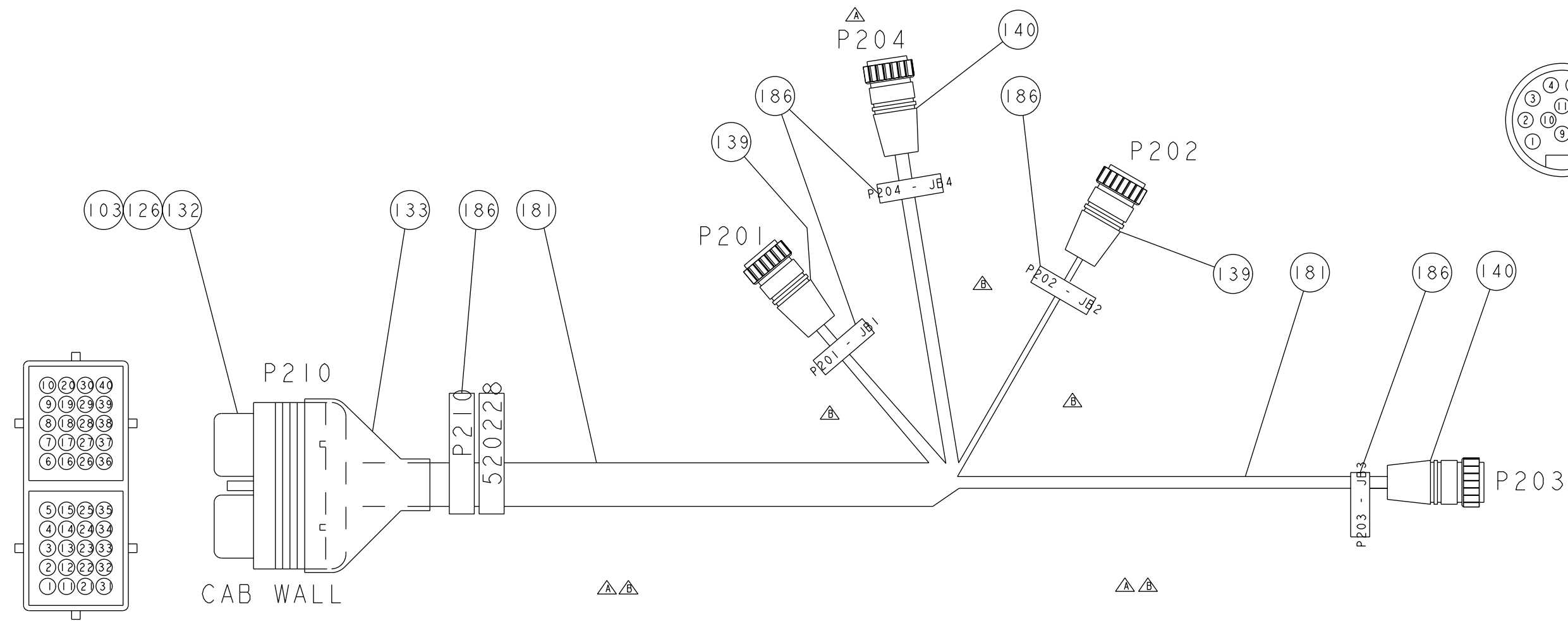


ADDED PLUG NO. TO WIRING DIAG. MKS 18-NOV-09 RH SIDE - OUTSIDE PLUG VIEW WAS INSIDE VIEW IN ERROR.		600134	CUSTOMARY: ALL DIMENSIONS IN INCHES Oshawa Nordco THIRD ANGLE PROJECTION	
16" WAS 6" 6" WAS 24" 6" WAS 8" 24" WAS 72"	CP 11-MAR-08 AJB 24-SEP-07 JWW 8-FEB-07 JWW 3-OCT-06	JWW 05-08-08 MK 07-24-08	IMPLIED TOLERANCES FRACTION : 1/8 .X : .06 .XX : .03 .XXX : .010	PRODUCT: M7 DESCRIPTION: HARNESS, PVG32 PROP. VALVES
NEW ISSUE	CP, 3-OCT-06		SIZE SCALE DRAWING CODE NUMBER REV. D NTS 520227 D	ASSEMBLY: - SHEET 1/1

NO. 520228 SHEET NO. 1/2 ALL INFORMATION CONTAINED ON THIS DRAWING IS CONSIDERED TO BE BOTH CONFIDENTIAL AND PROPRIETARY BY NORDCO INC. NO USE OR REPRODUCTION THEREOF MAY BE MADE WITHOUT THE EXPRESS WRITTEN CONSENT OF NORDCO INC.

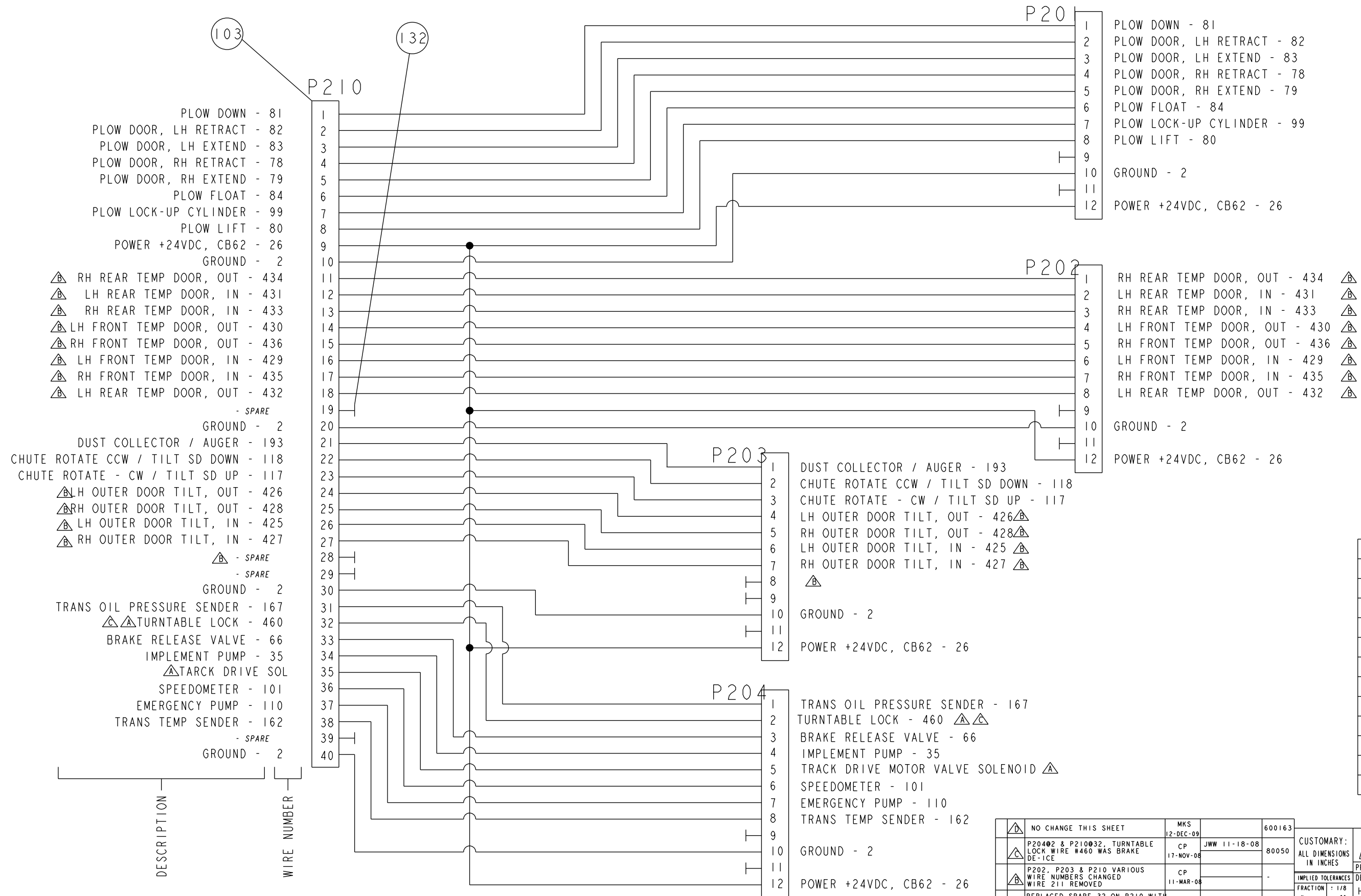
ITEM NO.	PART NUMBER OR MATERIAL	QTY. REQ.	PART DESCRIPTION	MFG P/N	DESIGNATION
103	5166 844	1	PLUG, 40-SOCKET	DEUTSCH #DRC-16-40SA	P210
126	5166 798	37	SOCKET, 16 GA	DEUTSCH #0462-201-16141	
132	5166 788	3	SEALING PLUG, 12-16 GA	DEUTSCH #114017	
133	1989 1540	1	BOOT, CONNECTOR	DEUTSCH #DRC 40-BT	
139	2231 1619-072	2	PLUG, FEMALE, 12-PORT W/ 6' LEADS	LUMBERG RK120M-624/6F	P201, 202
140	2231 1619-144	2	PLUG, FEMALE, 12-PORT W/ 12' LEADS	LUMBERG RK120M-624/12F	P203, 204
181		AR	BRAIDING MATERIAL - BLACK	BLACK BRAIDING MATERIAL	
186	4738 0100	6	LABEL	PANDUIT T400X000VXIY	

- NOTE:
- FOR WIRE CONNECTIONS SEE SHEET 2
 - ATTACH PANDUIT LABEL (ITEM 186) NEAR ALL CONNECTORS.
 - REMOVE OUTER JACKET OF ITEMS 139 AND 140 WHERE THE CABLES MEET. REPLACE WITH ITEM 181 BLACK BRAIDING MATERIAL AFTER COMBINING.
 - ALL SPLICES ARE TO BE SOLDERED AND COVERED WITH HEAT SHRINK. SPLICES ARE TO BE MADE WITHIN 6" OF INTERSECTION. STAGGER SPLICES TO PREVENT BULGING.
 - ALL UNUSED WIRES TO BE CUT AND CAPPED TO PREVENT SHORT CIRCUITS.



INSIDE/INSERT VIEW PLUG P210

INSIDE/INSERT VIEW WAS OUTSIDE	MKS 12-DEC-09	600163	CUSTOMARY: ALL DIMENSIONS IN INCHES	Oshawa Norðco	THIRD ANGLE PROJECTION		
NO CHANGE THIS SHEET	CP 17-NOV-08	80050					
P201: 12" WAS 16" P204: 12" WAS 30" P202: 12" WAS 30" P203: 12" WAS 43" P210: 12" WAS 36"	CP 11-MAR-08	-	IMPLIED TOLERANCES	PRODUCT: M7	DESCRIPTION: HARNESS, JUNCTION BOXES 1-4		
RECONFIGURED THE WIRE LAYOUT FOR P201 - P204 DIM 36" WAS 48" DIM 43" WAS 60"	AJB 27-SEP-07	-	FRACTION : 1/8 .X : .06 .XX : .03 .XXX : .010	SIZE	SCALE	DRAWING CODE NUMBER	REV.
NEW ISSUE	JWW 27-SEP-06	-	250/MACHINE FINISH UNLESS OTHERWISE STATED	D	NTS	520228	D
DATE:	DATE:	DATE:	PLANE ANGLES 45- 1"	ASSEMBLY: -	SHEET 1/2		



- PLOW DOWN - 81
- PLOW DOOR, LH RETRACT - 82
- PLOW DOOR, LH EXTEND - 83
- PLOW DOOR, RH RETRACT - 78
- PLOW DOOR, RH EXTEND - 79
- PLOW FLOAT - 84
- PLOW LOCK-UP CYLINDER - 99
- PLOW LIFT - 80
- POWER +24VDC, CB62 - 26
- GROUND - 2
- △ RH REAR TEMP DOOR, OUT - 434
- △ LH REAR TEMP DOOR, IN - 431
- △ RH REAR TEMP DOOR, IN - 433
- △ LH FRONT TEMP DOOR, OUT - 430
- △ RH FRONT TEMP DOOR, OUT - 436
- △ LH FRONT TEMP DOOR, IN - 429
- △ RH FRONT TEMP DOOR, IN - 435
- △ LH REAR TEMP DOOR, OUT - 432
- SPARE
- GROUND - 2
- DUST COLLECTOR / AUGER - 193
- CHUTE ROTATE CCW / TILT SD DOWN - 118
- CHUTE ROTATE - CW / TILT SD UP - 117
- △ LH OUTER DOOR TILT, OUT - 426
- △ RH OUTER DOOR TILT, OUT - 428
- △ LH OUTER DOOR TILT, IN - 425
- △ RH OUTER DOOR TILT, IN - 427
- △ - SPARE
- SPARE
- GROUND - 2
- TRANS OIL PRESSURE SENDER - 167
- △ TURNTABLE LOCK - 460
- BRAKE RELEASE VALVE - 66
- IMPLEMENT PUMP - 35
- △ TARCK DRIVE SOL
- SPEEDOMETER - 101
- EMERGENCY PUMP - 110
- TRANS TEMP SENDER - 162
- SPARE
- GROUND - 2

- 1 PLOW DOWN - 81
- 2 PLOW DOOR, LH RETRACT - 82
- 3 PLOW DOOR, LH EXTEND - 83
- 4 PLOW DOOR, RH RETRACT - 78
- 5 PLOW DOOR, RH EXTEND - 79
- 6 PLOW FLOAT - 84
- 7 PLOW LOCK-UP CYLINDER - 99
- 8 PLOW LIFT - 80
- 9
- 10 GROUND - 2
- 11
- 12 POWER +24VDC, CB62 - 26

- 1 RH REAR TEMP DOOR, OUT - 434 △
- 2 LH REAR TEMP DOOR, IN - 431 △
- 3 RH REAR TEMP DOOR, IN - 433 △
- 4 LH FRONT TEMP DOOR, OUT - 430 △
- 5 RH FRONT TEMP DOOR, OUT - 436 △
- 6 LH FRONT TEMP DOOR, IN - 429 △
- 7 RH FRONT TEMP DOOR, IN - 435 △
- 8 LH REAR TEMP DOOR, OUT - 432 △
- 9
- 10 GROUND - 2
- 11
- 12 POWER +24VDC, CB62 - 26

- 1 DUST COLLECTOR / AUGER - 193
- 2 CHUTE ROTATE CCW / TILT SD DOWN - 118
- 3 CHUTE ROTATE - CW / TILT SD UP - 117
- 4 LH OUTER DOOR TILT, OUT - 426 △
- 5 RH OUTER DOOR TILT, OUT - 428 △
- 6 LH OUTER DOOR TILT, IN - 425 △
- 7 RH OUTER DOOR TILT, IN - 427 △
- 8 △
- 9
- 10 GROUND - 2
- 11
- 12 POWER +24VDC, CB62 - 26

- 1 TRANS OIL PRESSURE SENDER - 167
- 2 TURNTABLE LOCK - 460 △△
- 3 BRAKE RELEASE VALVE - 66
- 4 IMPLEMENT PUMP - 35
- 5 TRACK DRIVE MOTOR VALVE SOLENOID △
- 6 SPEEDOMETER - 101
- 7 EMERGENCY PUMP - 110
- 8 TRANS TEMP SENDER - 162
- 9
- 10 GROUND - 2
- 11
- 12 POWER +24VDC, CB62 - 26

ITEMS 139 & 140

PIN	WIRE COLOUR
1	ORANGE
2	BLUE
3	WHITE / BLACK
4	RED / BLACK
5	GREEN / BLACK
6	ORANGE / BLACK
7	BLUE / BLACK
8	BLACK / WHITE
9	GREEN (NOT USED)
10	RED
11	WHITE (NOT USED)
12	BLACK

DESCRIPTION
WIRE NUMBER

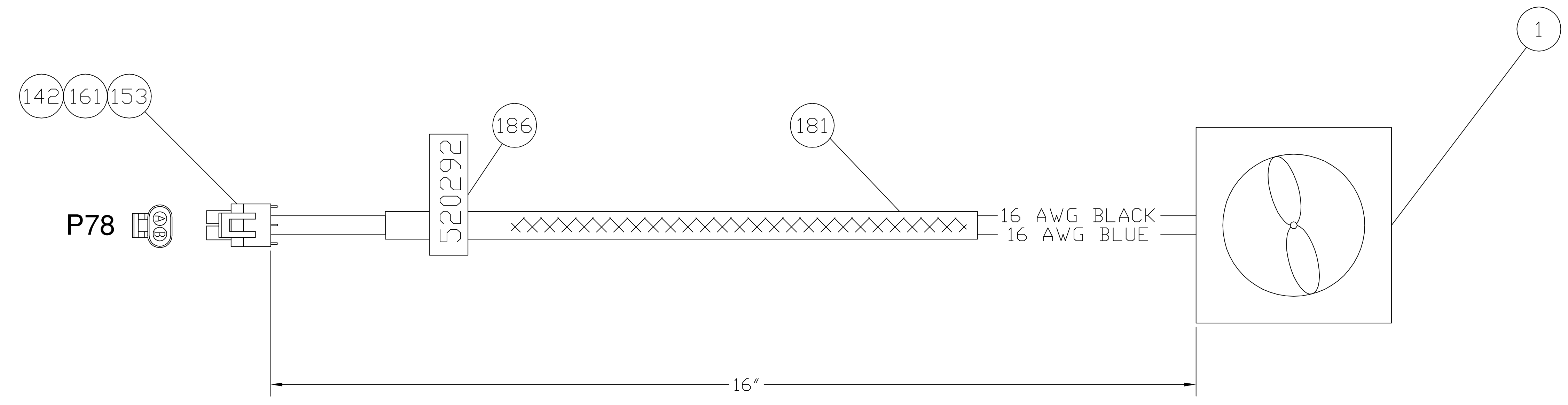
CAB WALL

NO CHANGE THIS SHEET	MKS 12-DEC-09	600163	CUSTOMARY: ALL DIMENSIONS IN INCHES	Oshawa Norðco	THIRD ANGLE PROJECTION
P20402 & P210032, TURNTABLE LOCK WIRE #460 WAS BRAKE DE-ICE	CP 17-NOV-08	80050			
P202, P203 & P210 VARIOUS WIRE NUMBERS CHANGED WIRE 211 REMOVED	CP 11-MAR-08	-	IMPLIED TOLERANCES	PRODUCT: M7	DESCRIPTION: HARNESS, JUNCTION BOXES 1-4
REPLACED SPARE 32 ON P210 WITH BRAKE DE-ICE. REPLACED SPARE 35 ON P210 WITH TRACK DRIVE SOL.	AJB 24-SEP-07	-	FRACTION : 1/8 .X : .06 .XX : .03 .XXX : .010	SIZE	SCALE
NEW ISSUE	JWW 27-SEP-06	-	250/MACHINE FINISH UNLESS OTHERWISE STATED	D	NTS
WE REV	CHANGE	DATE:	CHECKED BY: DATE:	E.C.O. #	PLANE ANGLES 45° - 1°
			DRAWING CODE NUMBER		REV.
			520228		D
			ASSEMBLY: -		SHEET 2/2

ITEM NO.	PART NUMBER OR MATERIAL	QTY. REQ.	PART DESCRIPTION	DESIGNATION
1	500384	1	FAN, OIL COOLER 24V HIGH PERF AKG #8407.360.2049	
142	5166 762	1	CONNECTOR, MALE TOWER 2-POLE PACKARD #12015792	P78
153	5166 777	2	SEAL, 16 GA OR SMALLER PACKARD #12015284	
161	5166 793	2	SOCKET, FEMALE 14-16 GA PACKARD #12124580	
181		AR	BLACK BRAIDING MATERIAL	
186	4738 0100	1	LABEL PANDUIT T400X000VXIY	

P78 CONNECTION DETAILS

PIN	WIRE #	WIRE DESCRIPTION	COLOUR
A	453	OIL COOLER TO CONTROLLER	BLACK
B	454	OIL COOLER TO CONTROLLER	BLUE



- NOTE:**
1. ATTACH PANDUIT LABEL (ITEM 186) NEAR P78 END
 2. LABEL ALL WIRES WITHIN 2 INCHES OF BOTH ENDS. LABEL ON WIRE, NOT TERMINAL
 3. WIRE TO BE STRANDED COPPER OF INDICATED GAUGE AND COLOR, SXL OR GXL TYPE OR EQUIVALENT
 4. LABEL ALL CONNECTORS WITH RESPECTIVE NUMBERS

CUSTOMARY: ALL DIMENSIONS IN INCHES		Oshawa Nordco		THIRD ANGLE PROJECTION
IMPLIED TOLERANCES		PRODUCT: M7		
FRACTION	: 1/8	DESCRIPTION: ASSY, HYD OIL COOLER FAN		
X	: .06	SIZE	SCALE	DRAWING CODE NUMBER
.XX	: .03	D	NTS	520292
.XXX	: .010	ASSEMBLY:	-	REV. -
250 / MACHINE FINISH UNLESS OTHERWISE STATED		SHEET 1/1		

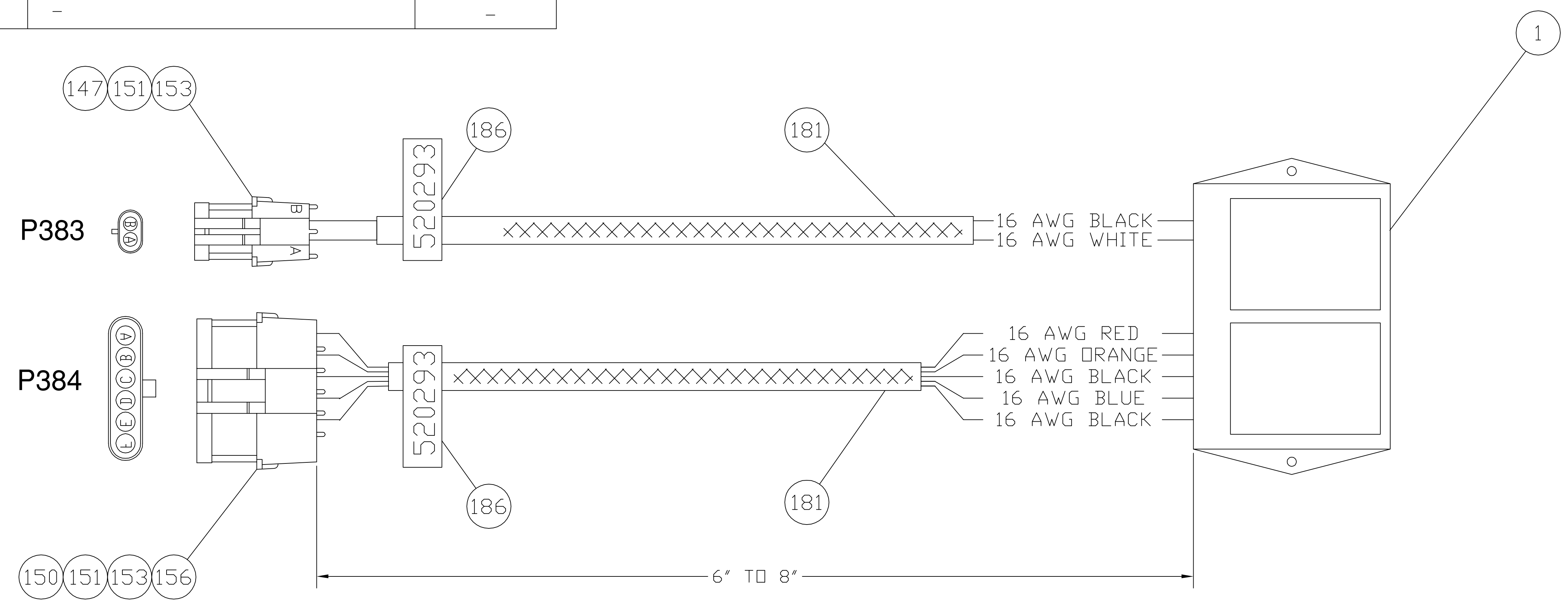
ITEM NO.	PART NUMBER OR MATERIAL	QTY. REQ.	PART DESCRIPTION	DESIGNATION
1	96391051	1	ASSY, CONTROLLER KIT FOR OIL COOLER THERMAL TRANSFER #96171	
147	5166 772	1	CONNECTOR, FEMALE SHROUD 2-POLE PACKARD #12010973	P383
150	5166 776	1	CONNECTOR, FEMALE SHROUD 6-POLE PACKARD #12010975	P384
151	5166 781	7	PIN, MALE 14-16 GA PACKARD #12124582	
153	5166 777	7	SEAL, 16 GA OR SMALLER PACKARD #12015284	
156	5166 784	1	PLUG, CAVITY PACKARD #2010300	
181		AR	BLACK BRAIDING MATERIAL	
186	4738 0100	2	LABEL PANDUIT T400X000VXIY	

P383 CONNECTION DETAILS

PIN	WIRE #	WIRE DESCRIPTION	COLOUR
A	452	OIL COOLER SENSOR	WHITE
B	2	GROUND	BLACK

P384 CONNECTION DETAILS

PIN	WIRE #	WIRE DESCRIPTION	COLOUR
A	19	POWER	RED
B	19	POWER	ORANGE
C	2	GROUND	BLACK
D	454	OIL COOLER TO CONTROLLER	BLUE
E	453	OIL COOLER TO CONTROLLER	BLACK
F	-	-	-



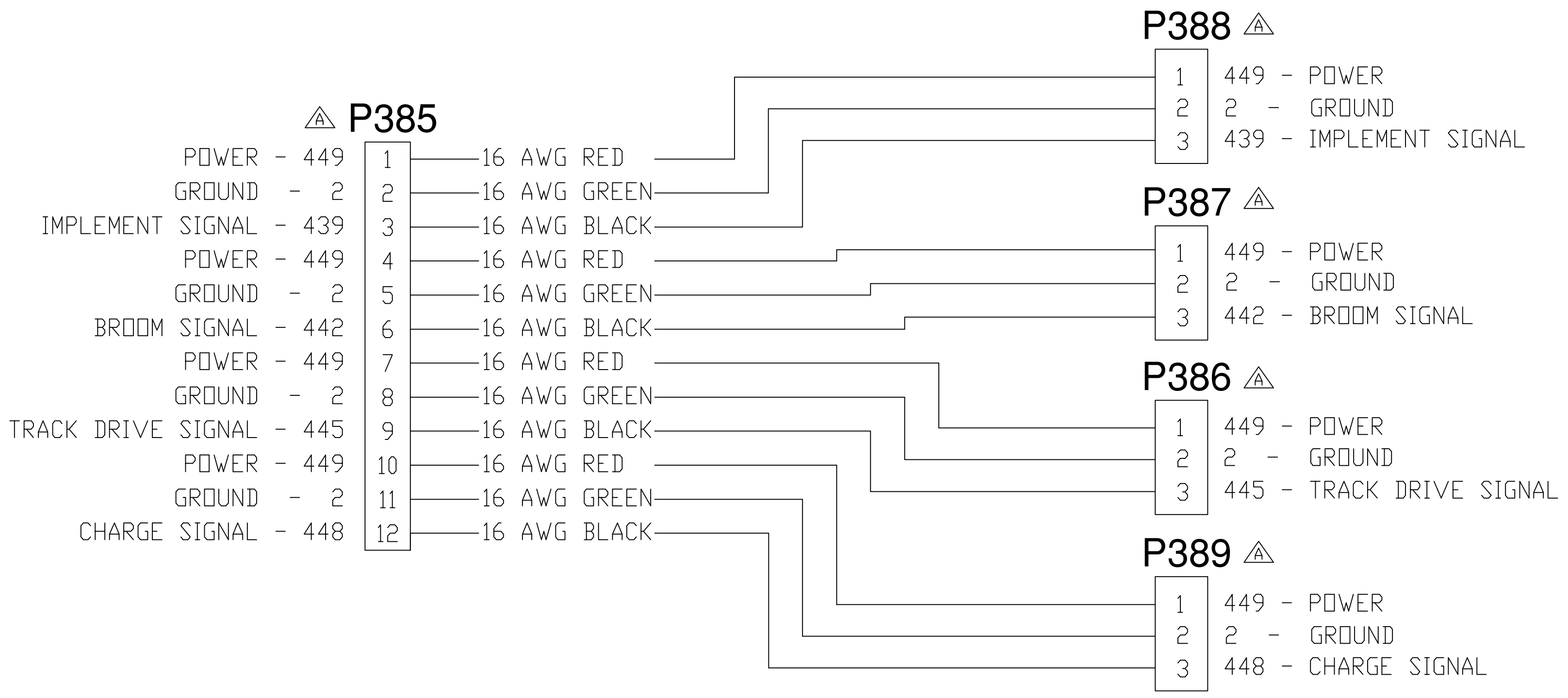
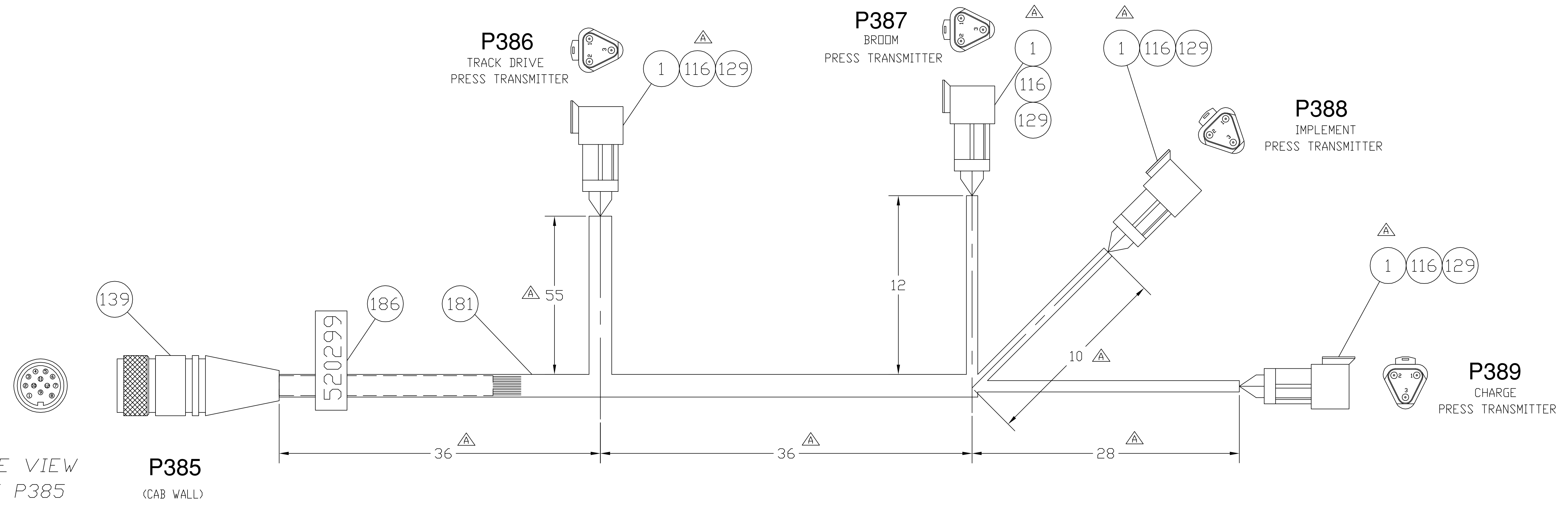
- NOTE:**
1. ATTACH PANDUIT LABEL (ITEM 186) NEAR P383 AND P384 ENDS
 2. LABEL ALL WIRES WITHIN 2 INCHES OF BOTH ENDS. LABEL ON WIRE, NOT TERMINAL
 3. WIRE TO BE STRANDED COPPER OF INDICATED GAUGE AND COLOR, SXL OR GXL TYPE OR EQUIVALENT
 4. LABEL ALL CONNECTORS WITH RESPECTIVE NUMBERS

NEW ISSUE	CP	16-MAY-08							
REV	CHANGE	DRAWN BY:	CHECKED BY:	DATE:	DATE:	E.C.D. #	PLANE ANGLES +/- 1°	ASSEMBLY: -	SHEET 1/1

CUSTOMARY: ALL DIMENSIONS IN INCHES	Nordco Oshawa	THIRD ANGLE PROJECTION
IMPLIED TOLERANCES	PRODUCT: M7	DESCRIPTION:
FRACTION : 1/8 X : .06 XX : .03 .XXX : .010	SIZE	SCALE
250 / MACHINE FINISH UNLESS OTHERWISE STATED	D	NTS
	DRAWING CODE NUMBER	REV.
	520293	-

ITEM NO.	PART NUMBER OR MATERIAL	QTY. REQ.	PART DESCRIPTION	DESIGNATION
1	520295	4	PLUG, DT SERIES 3-PIN	DEUTSCH # DT06-3S
2				
116	5112933	4	LOCKING WEDGE, 3-SOCKET PLUG	DEUTSCH #W3S
129	5166796	12	SOCKET, 14-16 GA	DEUTSCH #0462-209-16141
139	22311619-024	1	CABLE, ELECT MICROFAST 12-PIN FEMALE	PER NORDCO DWG #22311619
181		AR	BLACK BRAIDING MATERIAL	
186	4738 0100	1	LABEL PANDUIT T400X000VXIY	

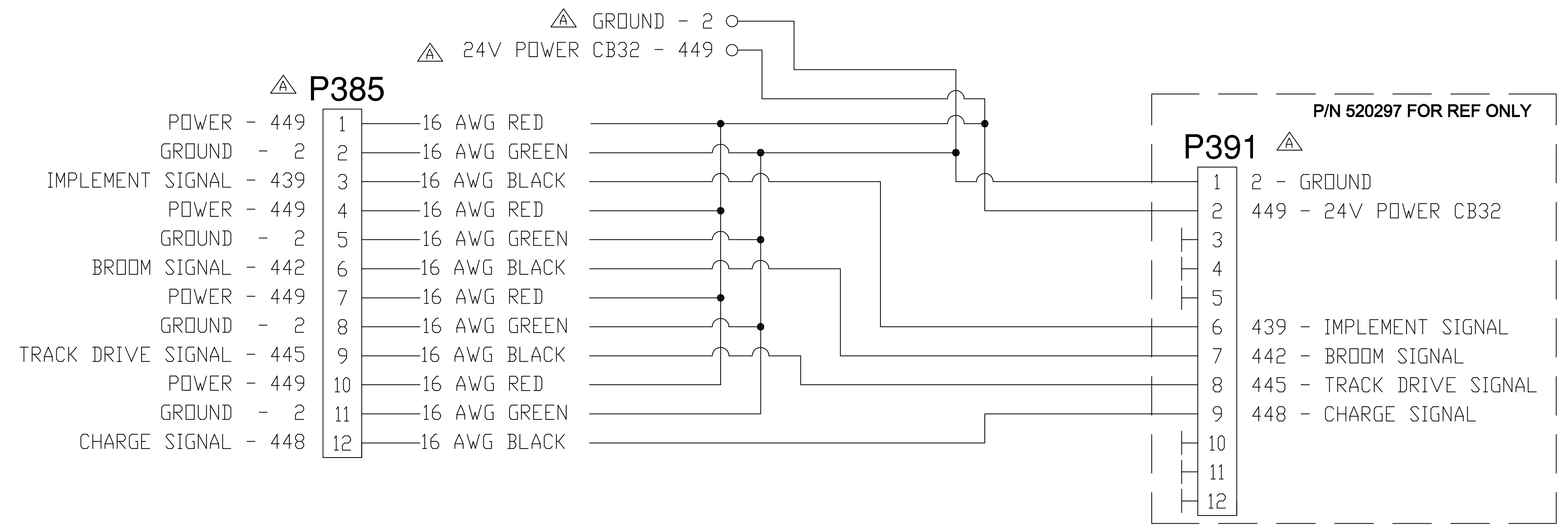
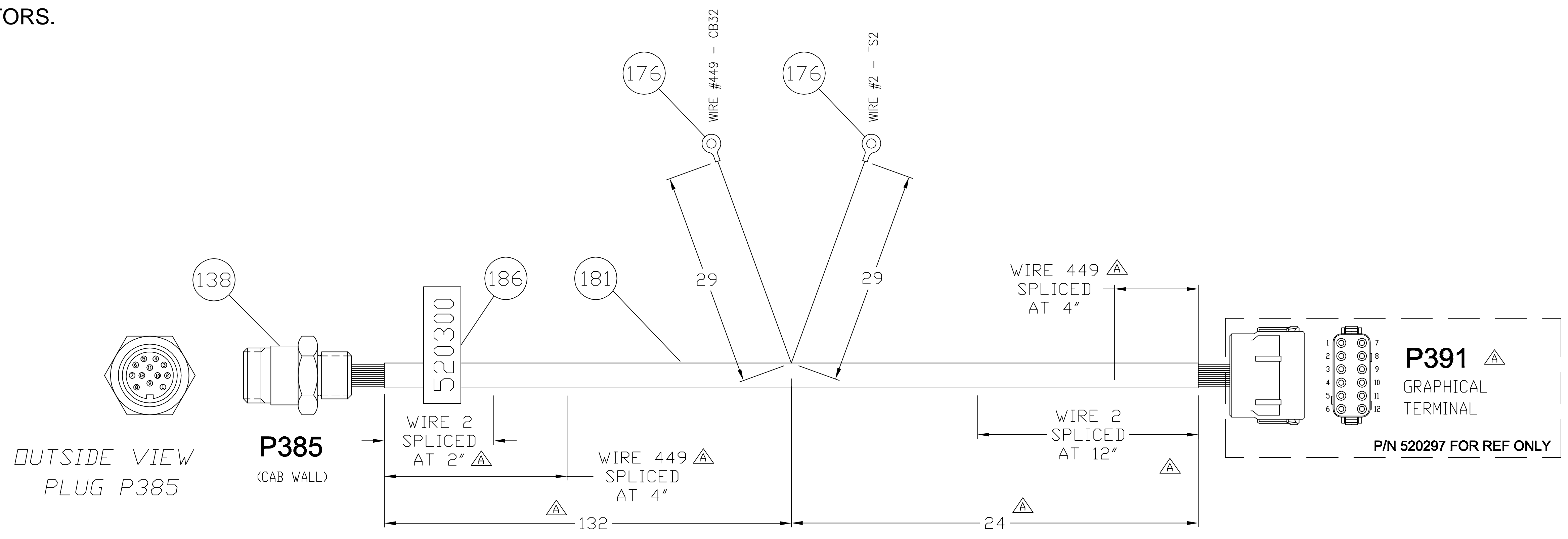
NOTE:
 1. ATTACH PANDUIT LABEL (ITEM 186) NEAR P385 END.
 2. LABEL ALL WIRES WITHIN 2 INCHES OF BOTH ENDS. LABEL ON WIRE, NOT TERMINAL
 3. WIRE TO BE STRANDED COPPER, 16 GAUGE, SXL OR GXL TYPE OR APPROVED EQUIV. COLOURS AS INDICATED.
 4. LABEL ALL CONNECTORS.



CUSTOMARY: ALL DIMENSIONS IN INCHES		Oshawa Nordco		THIRD ANGLE PROJECTION
IMPLIED TOLERANCES		PRODUCT: M7		
FRACTION	DESCRIPTION:	HARNES, TRANSMITTERS PRESSURE GAUGE SYSTEM		
X	: 1/8	SIZE	SCALE	DRAWING CODE NUMBER
.XX	: .06	D	NTS	520299
.XXX	: .03	REV.		A
	: .010	ASSEMBLY:	-	SHEET 1/1
NEW ISSUE		DATE:	DATE:	DATE:
DATE:	DATE:	DATE:	DATE:	DATE:

ITEM NO.	PART NUMBER OR MATERIAL	QTY. REQ.	PART DESCRIPTION	DESIGNATION
1				
138	5120 803	1	RECEPTICAL, 12-PORT LUMBERG #RSF 120M-624/3F	P385
176	5164 405	2	TERMINAL, RING 14-16 GA #6 STUD TECHSPAN #761018	
181		AR	BLACK BRAIDING MATERIAL	
186	4738 0100	1	LABEL PANDUIT T400X000VXIY	

- NOTE:**
1. ATTACH PANDUIT LABEL (ITEM 186) NEAR P385 END.
 2. LABEL ALL WIRES WITHIN 2 INCHES OF BOTH ENDS. LABEL ON WIRE, NOT TERMINAL
 3. WIRE TO BE STRANDED COPPER, 16 GAUGE, SXL OR GXL TYPE OR APPROVED EQUIV. COLOURS AS INDICATED.
 4. SPLICES TO BE IN LOCATIONS INDICATED. ALL SPLICES TO BE SOLDERED AND WRAPPED WITH HEAT SHRINK.
 5. LABEL ALL CONNECTORS.



CUSTOMARY: ALL DIMENSIONS IN INCHES IMPLIED TOLERANCES: FRACTION: 1/8, .06, .03, .010 X .XX, .XXX 250 / MACHINE FINISH UNLESS OTHERWISE STATED PLANE ANGLES +/- 1°		Oshawa Nordco PRODUCT: M7 DESCRIPTION: HARNESS, GRAPHICAL TERMINAL PRESSURE GAUGE SYSTEM SIZE: D, SCALE: NTS, DRAWING CODE NUMBER: 520300, REV: A	
REMOVED ITEM 1, PAGE SHOWN FOR REFERENCE ONLY. WIRE NO. AND DIMENSIONS MODIFIED. NEW ISSUE	CP 08-OCT-08 CP 29-MAY-08	80050 -	80050 -
MF REV CHANGE	DRAWN BY: DATE:	CHECKED BY: DATE:	E.C.D. # ASSEMBLY: - SHEET 1/1

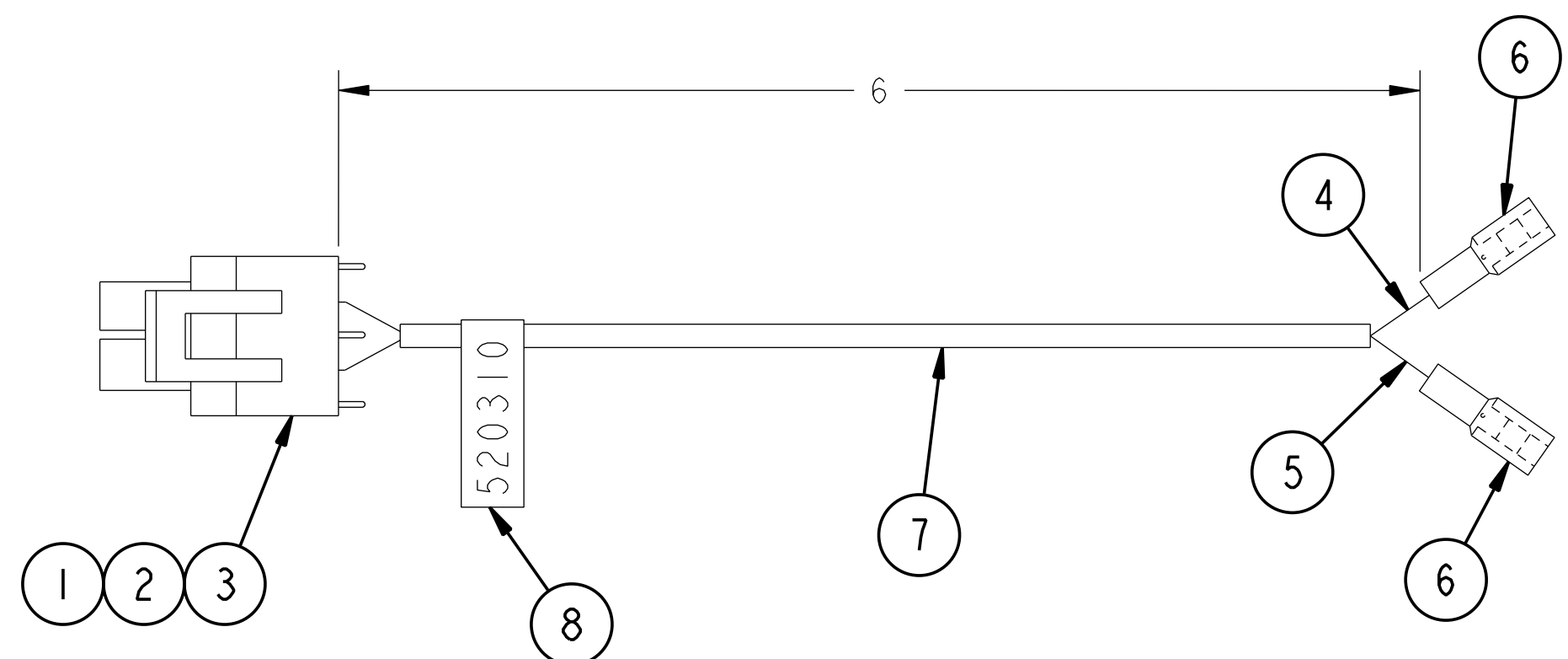
NO. 520310

SHEET NO. 1 / 1

ALL INFORMATION CONTAINED ON THIS DRAWING IS CONSIDERED TO BE BOTH CONFIDENTIAL AND PROPRIETARY BY NORDCO INC. NO USE OR REPRODUCTION THEREOF MAY BE MADE WITHOUT THE EXPRESS WRITTEN CONSENT OF NORDCO

LIST OF MATERIALS

INC. ITEM NO.	PART NUMBER OR MATERIAL	QTY. REQ.	D T L.	PART NAME	DWG SIZE
1	5166762	1		CONNECTOR, MALE TOWER 2-POLE TECHSPAN #762159C	
2	5166783	2		TERMINAL, FEMALE GM 18-20 GA TECHSPAN #762151C	
3	5166777	2		SEAL, 16 GA & SMALLER TECHSPAN #762162C	
4	520040	6		WIRE, 16 GA RED	
5	520041	6		WIRE, 16 GA BLACK	
6	5166 688	2		TERMINAL, FEMALE FULLY INSULATED TERMINAL SUPPLY #B-887	
7		AR		BLACK BRAIDING MATERIAL	
8	47380100	1		LABEL, PANDUIT T400X000VXIY	



△C	ITEM 6 WAS 520309; DESCRIPTION WAS TECHSPAN 561389	LCP		600333
△B	REDRAWN IN PRO/E ITEM 6 ADDED DESCRIPTION	BJB	SR 5/31/10	600223
△A	5166762 WAS 5166772 DESCRIPTION CHANGED PER P/N DWG CHANGED PER P/N	4-16-10	SW 6/01/10	
		CP	JW 9-29-08	80050
		25-SEP-08	SCR 3-25-09	
		CP		NONE
		28-AUG-08		
MF	REV	CHANGE	DRAWN BY: DATE:	CHECKED BY: DATE:
			DATE:	E.C.O. #

CUSTOMARY:
ALL DIMENSIONS
IN INCHES

IMPLIED TOLERANCES
FRACTION ± 1/8
.X ± .06
.XX ± .03
.XXX ± .010

250/ MACHINE FINISH UNLESS OTHERWISE STATED

PLANE ANGLES +/- 1°

Nordco™

THIRD ANGLE PROJECTION

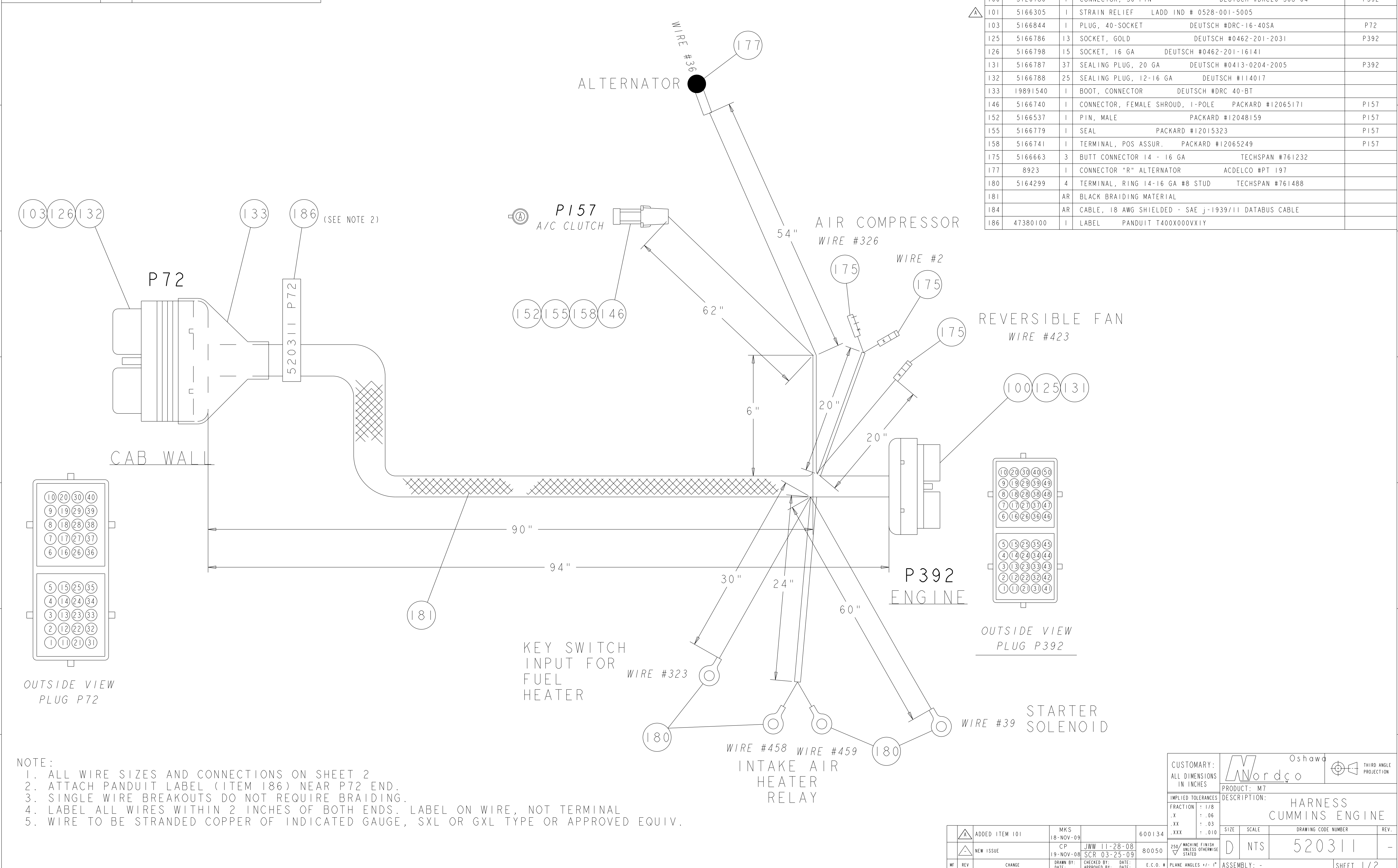
PRODUCT: M7

DESCRIPTION: BRAKE MICROSWITCH HARNESS

SIZE	SCALE	DRAWING CODE NUMBER	REV.
B	NTS	520310	C

ASSEMBLY: - SHEET 1 OF 1

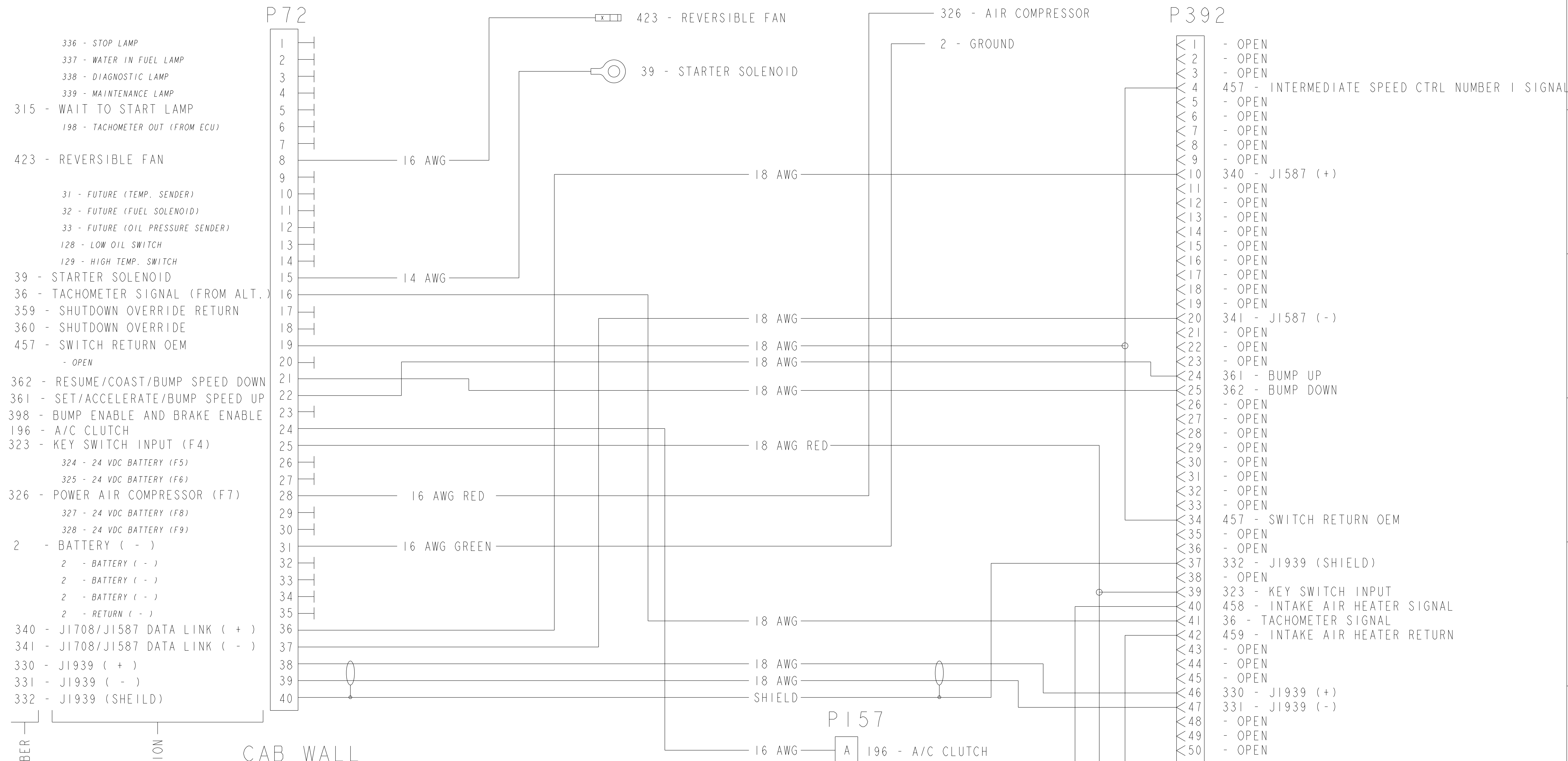
ITEM NO.	PART NUMBER OR MATERIAL	QTY. REQ.	PART DESCRIPTION	DESIGNATION
100	5120786	1	CONNECTOR, 50-PIN DEUTSCH #DRC26-50S-04	P392
101	5166305	1	STRAIN RELIEF LADD IND # 0528-001-5005	
103	5166844	1	PLUG, 40-SOCKET DEUTSCH #DRC-16-40SA	P72
125	5166786	13	SOCKET, GOLD DEUTSCH #0462-201-2031	P392
126	5166798	15	SOCKET, 16 GA DEUTSCH #0462-201-16141	
131	5166787	37	SEALING PLUG, 20 GA DEUTSCH #0413-0204-2005	P392
132	5166788	25	SEALING PLUG, 12-16 GA DEUTSCH #114017	
133	19891540	1	BOOT, CONNECTOR DEUTSCH #DRC 40-BT	
146	5166740	1	CONNECTOR, FEMALE SHROUD, 1-POLE PACKARD #12065171	P157
152	5166537	1	PIN, MALE PACKARD #12048159	P157
155	5166779	1	SEAL PACKARD #12015323	P157
158	5166741	1	TERMINAL, POS ASSUR. PACKARD #12065249	P157
175	5166663	3	BUTT CONNECTOR 14 - 16 GA TECHSPAN #761232	
177	8923	1	CONNECTOR "R" ALTERNATOR ACDELCO #PT 197	
180	5164299	4	TERMINAL, RING 14-16 GA #8 STUD TECHSPAN #761488	
181		AR	BLACK BRAIDING MATERIAL	
184		AR	CABLE, 18 AWG SHIELDED - SAE j-1939/11 DATABUS CABLE	
186	47380100	1	LABEL PANDUIT T400X000VX1Y	



NOTE:
 1. ALL WIRE SIZES AND CONNECTIONS ON SHEET 2
 2. ATTACH PANDUIT LABEL (ITEM 186) NEAR P72 END.
 3. SINGLE WIRE BREAKOUTS DO NOT REQUIRE BRAIDING.
 4. LABEL ALL WIRES WITHIN 2 INCHES OF BOTH ENDS. LABEL ON WIRE, NOT TERMINAL
 5. WIRE TO BE STRANDED COPPER OF INDICATED GAUGE, SXL OR GXL TYPE OR APPROVED EQUIV.

△	ADDED ITEM 101	MKS	18-NOV-09	600134
△	NEW ISSUE	CP	JWW 11-28-08	80050
MF	REV	CHANGE	DATE:	DATE:
IMPLIED TOLERANCES		FRACTION		SIZE
.X		: 1/8		D
.XX		: .06		
.XXX		: .03		
250		MACHINE FINISH UNLESS OTHERWISE STATED		SCALE
PLANE ANGLES ±.1°		ASSEMBLY: -		DRAWING CODE NUMBER
SHEET 1/2		520311		REV.

CUSTOMARY: ALL DIMENSIONS IN INCHES
 Oshawa
 Nordco
 PRODUCT: M7
 DESCRIPTION: HARNESS CUMMINS ENGINE
 THIRD ANGLE PROJECTION



- WIRE NUMBER | DESCRIPTION
- NOTES:
1. UNLESS OTHERWISE SPECIFIED ALL WIRE TO BE BLACK
 2. FOR ALL PINS THAT ARE NOT USED, SOCKETS TO BE SEALED USING ITEM 132
 3. ALL INTERNAL HARNESS SPLICES ARE TO BE SOLDERED AND COVERED WITH HEAT SHRINK

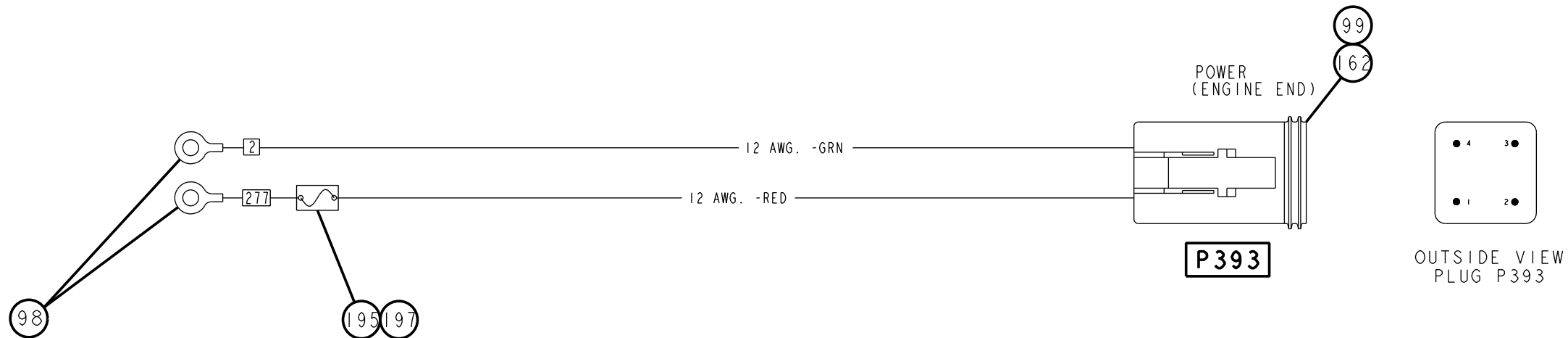
- 458 - INTAKE AIR HEATER SIGNAL 18 AWG
- 459 - INTAKE AIR HEATER RETURN 18 AWG
- 323 - KEY SWITCH INPUT/FUEL HEATER 18 AWG

CUSTOMARY: ALL DIMENSIONS IN INCHES		Oshawa Norco		THIRD ANGLE PROJECTION
IMPLIED TOLERANCES		PRODUCT: M7		
FRACTION	: 1/8	DESCRIPTION: HARNESS CUMMINS ENGINE		
.X	: .06	SIZE	SCALE	DRAWING CODE NUMBER
.XX	: .03	D	NTS	520311
.XXX	: .010	REV.		-
250/ MACHINING FINISH UNLESS OTHERWISE STATED		ASSEMBLY: -		
PLANE ANGLES +/- 1°		SHEET 2/2		

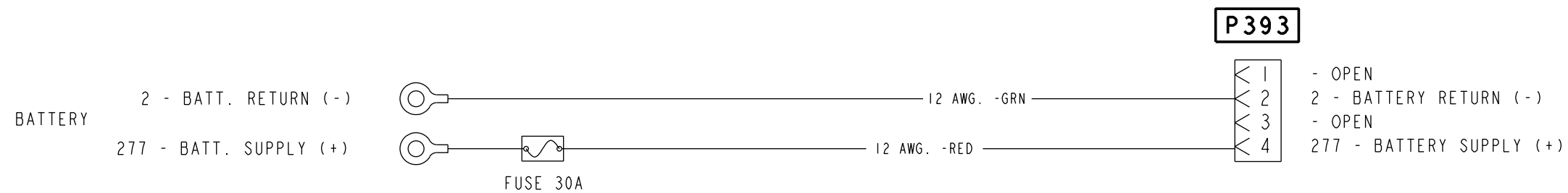
NO CHANGE THIS SHEET	MKS 18-NOV-09	600134
NEW ISSUE	CP 19-NOV-08	80050
MF REV	CHANGE	DATE: DATE: E.C.O. #

NO. **520319** SHEET NO. **111** ALL INFORMATION CONTAINED ON THIS DRAWING IS CONSIDERED TO BE BOTH CONFIDENTIAL AND PROPRIETARY BY NORDCO INC. NO USE OR REPRODUCTION THEREOF MAY BE MADE WITHOUT THE EXPRESS WRITTEN CONSENT OF NORDCO INC.

BILL OF MATERIALS					
ITEM NO.	PART NUMBER OR MATERIAL	QTY. REQ.	U. OF M.	PART NAME	DWG. SIZE
98	5164307	2		TERMINAL, RING 10-12 GA x 3/8" WAYTEK #32505	
99	5166815	1		PLUG, 4-PIN SQUARE DEUTSCH #DTP06-4S	P393
162	5112935	1		WEDGE, LOCKING DEUTSCH #WP-4S	P393
195	520312	1		FUSE, 30A AUTOMOTIVE NAPA #782-1078	
197	520314	1		HOLDER, FUSE INLINE W/COVER WAYTEK #46237	



OUTSIDE VIEW
PLUG P393



NOTES:

- LABEL WIRES WITHIN 2 INCHES OF BOTH ENDS. LABEL ON WIRE, NOT ON TERMINAL
- WIRE TO BE STRANDED COPPER, 16 GAUGE, SXL OR GXL TYPE OR APPROVED EQUIVALENT. COLORS AS INDICATED.
- LABEL CONNECTOR WITH CORRESPONDING 'P' NUMBER.
- COVER WIRES WITH BLACK BRAIDING MATERIAL. LEAVE 12" AT TERMINAL END UNCOVERD.

CUSTOMARY: ALL DIMENSIONS IN INCHES		NORDCO		THIRD ANGLE PROJECTION
IMPLIED TOLERANCES		PRODUCT: M7		
DESCRIPTION: HARNES, CUMMINS ENG TIER3		SIZE	SCALE	DRAWING CODE NUMBER
FRACTION	± 1/8	D	NTS	520319
.X	± .06			
.XX	± .03			
.XXX	± .010	ASSEMBLY: -		REV. A
NEW SUPPLIER P/N FOR ITEM 197		MKS	600134	
NEW ISSUE		CP	80050	
DATE:	DATE:	DATE:	DATE:	E.C.O. #
DATE:	DATE:	DATE:	DATE:	E.C.O. #

NO. 42350152

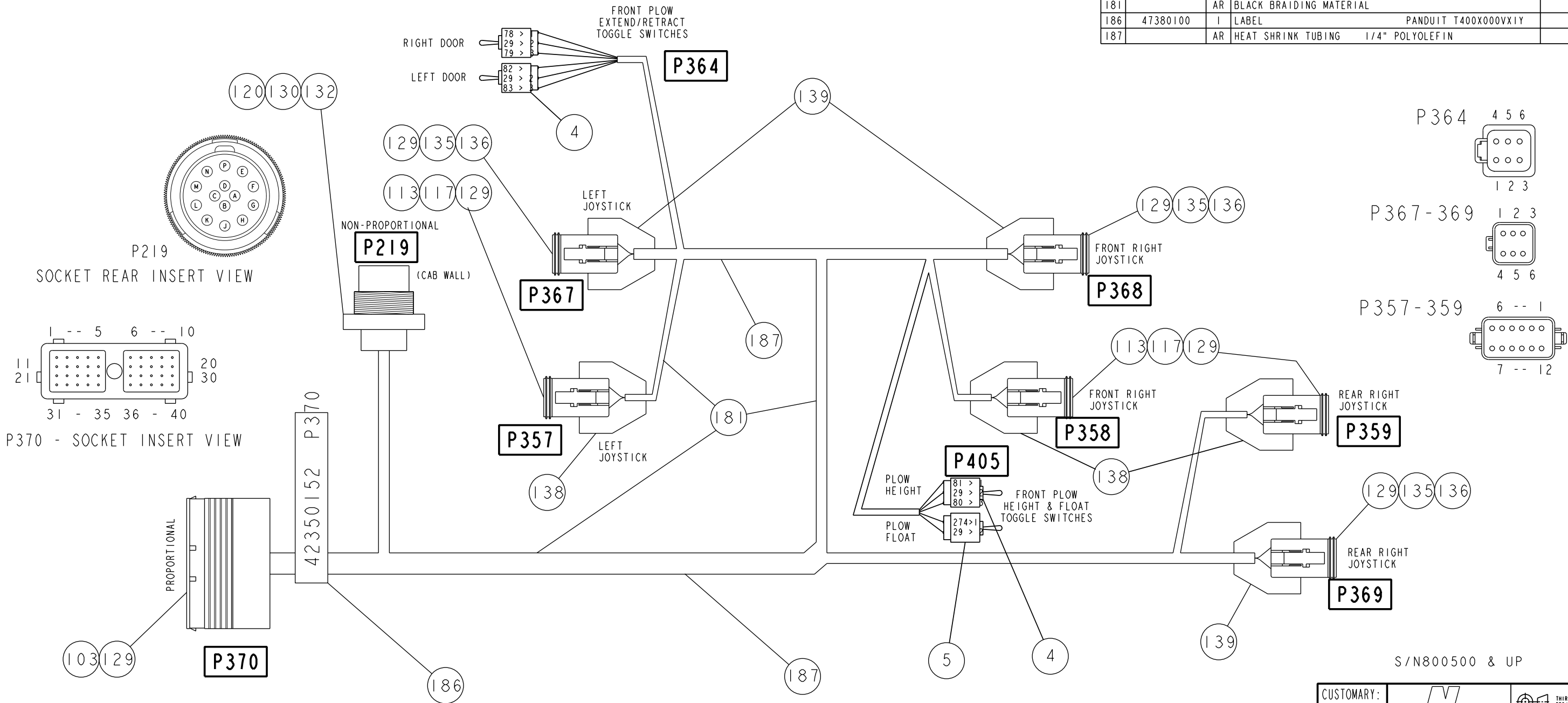
SHEET NO. 113

ALL INFORMATION CONTAINED ON THIS DRAWING IS CONSIDERED TO BE BOTH CONFIDENTIAL AND PROPRIETARY BY NORDCO INC. NO USE OR REPRODUCTION THEREOF MAY BE MADE WITHOUT THE EXPRESS WRITTEN CONSENT OF NORDCO INC.

NOTE:

1. ATTACH PANDUIT LABEL ITEM 186 NEAR P370 END.
2. LABEL ALL WIRES WITHIN 2 INCHES OF BOTH ENDS. LABEL ON WIRE, NOT TERMINAL
3. WIRE TO BE STRANDED COPPER, 16 GAUGE, SXL OR GXL TYPE OR APPROVED EQUIV. COLORS AS INDICATED.
4. SPLICES TO BE IN LOCATIONS INDICATED. ALL SPLICES TO BE SOLDERED AND WRAPPED WITH HEAT SHRINK ITEM 187. STAGGER SPLICES TO PREVENT BULGING.
5. ALL PLUG ENDS TO BE LABELED WITH THEIR INDIVIDUAL I.D. NUMBER (EXAMPLE: P123) SHOWN NEAR EACH PLUG/CONNECTOR.

BILL OF MATERIALS				
ITEM NO.	PART NUMBER OR MATERIAL	QTY. REQ.	PART DESCRIPTION	DESIGNATION
4	5125590	3	TOGGLE SWITCH (ON)OFF(ON) CH 8500K2	P364,405
5	5125592	1	TOGGLE SWITCH (ON)-OFF CH 8500K11	P405
103	5166844	1	PLUG, 40-SOCKET DEUTSCH #DRC-16-40SA	P370
113	5166822	3	PLUG, 12-SOCKET DEUTSCH #DT06-12S	P357-359
117	5112942	3	LOCKING WEDGE, 12 SOCKET PLUG DEUTSCH #W12S	
120	5120743	1	RECEPTACLE, 14-PIN DEUTSCH #HD34-18-14PN	P219
129	5166796	AR	SOCKET, 14-16 GA DEUTSCH #0462-209-16141	
130	5166791	AR	PIN, 14-16 GA DEUTSCH #0460-215-16141	
132	5166788	5	SEALING PLUG, 12-16 GA DEUTSCH #114017	
135	5166816	3	PLUG, 6-PIN DEUTSCH #DT06-06P	P367-369
136	5112936	3	LOCKING WEDGE, FOR 6 SOCKET PLUG DEUTSCH #W6S	
138	520254	3	BOOT, 12 WAY PLUG DEUTSCH #DT12S-BT	
139	19891524	3	BOOT, 6 PIN PLUG DEUTSCH #DT6S-BT	
181	AR		BLACK BRAIDING MATERIAL	
186	47380100	1	LABEL PANDUIT T400X000VXIY	
187	AR		HEAT SHRINK TUBING 1/4" POLYOLEFIN	

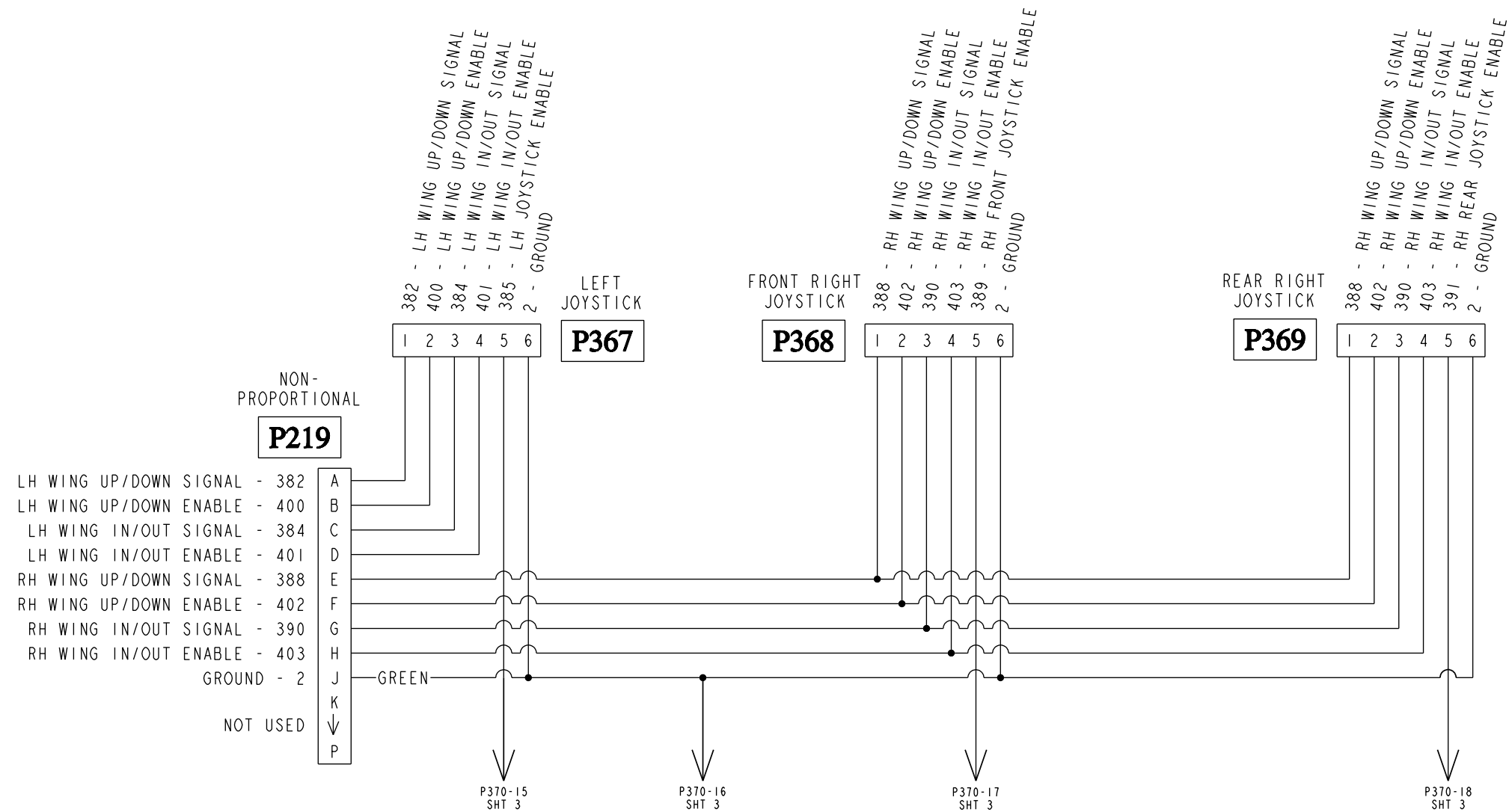


S/N800500 & UP

CUSTOMARY: ALL DIMENSIONS IN INCHES		PRODUCT: M7	
IMPLIED TOLERANCES		DESCRIPTION: HARNES, SEAT/JOYSTICK	
FRACTION	± 1/8	SIZE	SCALE
.X	± .06	D	NTS
.XX	± .03	DRAWING CODE NUMBER	
.XXX	± .010	42350152	
MACHINE FINISH UNLESS OTHERWISE STATED		PLANE ANGLES	ASSEMBLY: -
NEW ISSUE		DLS/MKS	600134
DATE:	03-Aug-09	DATE:	
DATE:		DATE:	
DATE:		DATE:	
DATE:		DATE:	

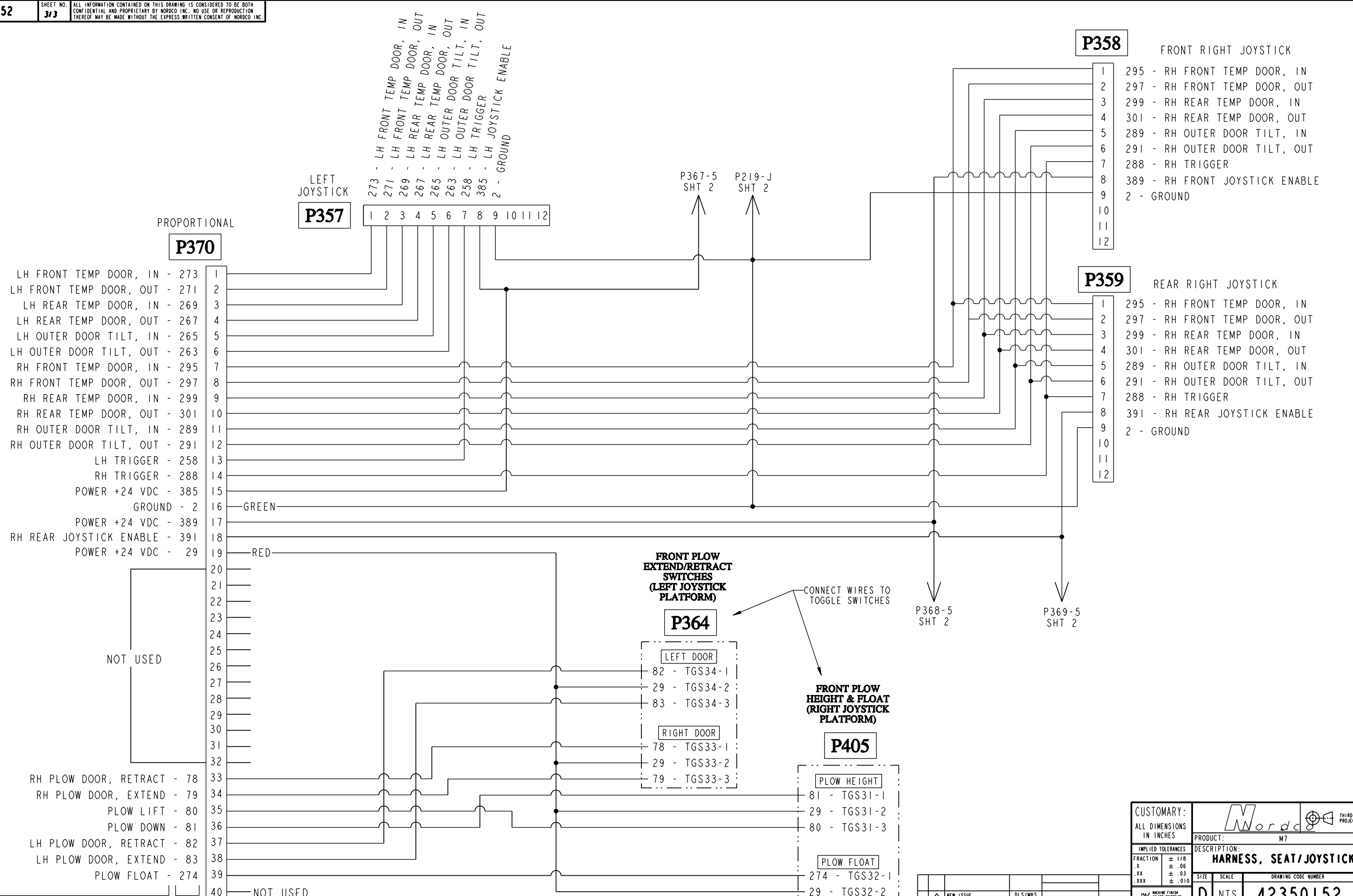
PREVIOUSLY KNOWN AS DRAWING 22311194

REV	CHANGE	DATE	DATE	E.C.O. #



CUSTOMARY: ALL DIMENSIONS IN INCHES				THIRD ANGLE PROJECTION
IMPLIED TOLERANCES		PRODUCT: M7		
DESCRIPTION: HARNES, SEAT/JOYSTICK		SIZE	SCALE	DRAWING CODE NUMBER
FRACTION	± 1/8	D	NTS	42350152
.X	± .06			
.XX	± .03			
.XXX	± .010	REV.		-
250 INCHES FINISH UNLESS OTHERWISE STATED PLANE ANGLES ± 1°		ASSEMBLY: -		

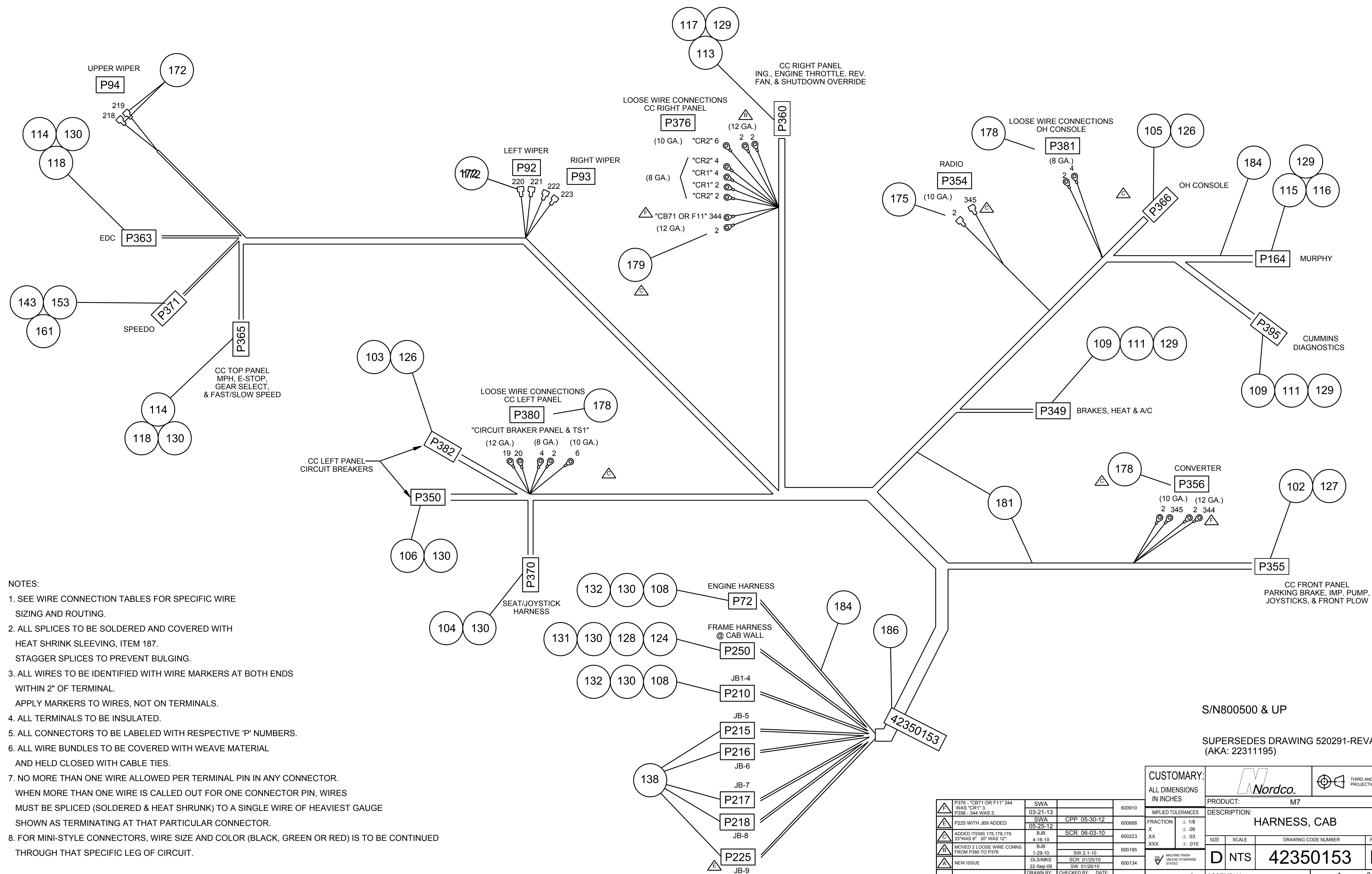
NEW ISSUE	DLS/MKS 03-Aug-09	600134
DATE:	CHECKED BY:	DATE:
DATE:	APPROVED BY:	DATE:
E.C.O. #	PLANE ANGLES ± 1°	



DESCRIPTION	WIRE NUMBER
LH FRONT TEMP DOOR, IN	273
LH FRONT TEMP DOOR, OUT	271
LH REAR TEMP DOOR, IN	269
LH REAR TEMP DOOR, OUT	267
LH OUTER DOOR TILT, IN	265
LH OUTER DOOR TILT, OUT	263
RH FRONT TEMP DOOR, IN	295
RH FRONT TEMP DOOR, OUT	297
RH REAR TEMP DOOR, IN	299
RH REAR TEMP DOOR, OUT	301
RH OUTER DOOR TILT, IN	289
RH OUTER DOOR TILT, OUT	291
LH TRIGGER	258
RH TRIGGER	288
POWER +24 VDC	385
GROUND	2
POWER +24 VDC	389
RH REAR JOYSTICK ENABLE	391
POWER +24 VDC	29
NOT USED	20
NOT USED	21
NOT USED	22
NOT USED	23
NOT USED	24
NOT USED	25
NOT USED	26
NOT USED	27
NOT USED	28
NOT USED	29
NOT USED	30
NOT USED	31
NOT USED	32
RH PLOW DOOR, RETRACT	78
RH PLOW DOOR, EXTEND	79
PLOW LIFT	80
PLOW DOWN	81
LH PLOW DOOR, RETRACT	82
LH PLOW DOOR, EXTEND	83
PLOW FLOAT	274
NOT USED	39
NOT USED	40

CUSTOMARY: ALL DIMENSIONS IN INCHES		PRODUCT: M7	
IMPLIED TOLERANCES		DESCRIPTION: HARNES, SEAT/JOYSTICK	
FRACTION	± 1/8	SIZE	SCALE
.X	± .06	D	NTS
.XX	± .03	DRAWING CODE NUMBER	
.XXX	± .010	600134	
MACHINE FINISH UNLESS OTHERWISE STATED		ASSEMBLY: -	
PLANE ANGLES ±.1°		SHEET 3 OF 3	

NEW ISSUE	DLS/MKS	DATE:	600134
CHANGE	03-Aug-09	CHECKED BY:	
		DATE:	
		APPROVED BY:	
		DATE:	
		E.C.O. #	



- NOTES:
1. SEE WIRE CONNECTION TABLES FOR SPECIFIC WIRE SIZING AND ROUTING.
 2. ALL SPLICES TO BE SOLDERED AND COVERED WITH HEAT SHRINK SLEEVING, ITEM 187. STAGGER SPLICES TO PREVENT BULGING.
 3. ALL WIRES TO BE IDENTIFIED WITH WIRE MARKERS AT BOTH ENDS WITHIN 2" OF TERMINAL. APPLY MARKERS TO WIRES, NOT ON TERMINALS.
 4. ALL TERMINALS TO BE INSULATED.
 5. ALL CONNECTORS TO BE LABELED WITH RESPECTIVE 'P' NUMBERS.
 6. ALL WIRE BUNDLES TO BE COVERED WITH WEAVE MATERIAL AND HELD CLOSED WITH CABLE TIES.
 7. NO MORE THAN ONE WIRE ALLOWED PER TERMINAL PIN IN ANY CONNECTOR. WHEN MORE THAN ONE WIRE IS CALLED OUT FOR ONE CONNECTOR PIN, WIRES MUST BE SPLICED (SOLDERED & HEAT SHRUNK) TO A SINGLE WIRE OF HEAVIEST GAUGE SHOWN AS TERMINATING AT THAT PARTICULAR CONNECTOR.
 8. FOR MINI-STYLE CONNECTORS, WIRE SIZE AND COLOR (BLACK, GREEN OR RED) IS TO BE CONTINUED THROUGH THAT SPECIFIC LEG OF CIRCUIT.


REV	CHANGE	DRAWN BY: DATE:	CHECKED BY: DATE:	E.C.O.#	PLANE ANGLES W/ °

CUSTOMARY:		ALL DIMENSIONS IN INCHES		IMPLIED TOLERANCES	
FRACTION		X		± .18	
XX		.XX		± .06	
XXX		.XXX		± .03	
MACHINE FINISH UNLESS OTHERWISE STATED		D NTS		± .010	
PRODUCT: M7		DESCRIPTION: HARNESS, CAB		DRAWING CODE NUMBER	
S/N800500 & UP		42350153		REV	
SUPERSEDES DRAWING 520291-REVA (AKA: 22311195)		ASSEMBLY:-		SHEET 1 OF 2	

BILL OF MATERIALS

ITEM NO.	PART NUMBER OR MATERIAL	QTY. REQ.	PART DESCRIPTION	DESIGNATION
1	700342	1	BULKHEAD PLATE, ELECTRICAL (NOT SHOWN) NOTE: INSTALL TO HARNESS PRIOR TO PLUGS	
2	690136	1	PLAQUE, CAB ELECTRICAL BULKHEAD (NOT SHOWN) NOTE: INSTALL TO HARNESS PRIOR TO PLUGS	
3	K-071	36	GREY EPDM (NOT SHOWN)	
100	5166 821	3	PIN, 20 GA	P250
102	5166 839	1	RECEPTACLE, 24-PIN	P355
103	5166 844	1	PLUG, 40-SOCKET	P382
104	5166 841	1	RECEPTACLE, 40-PIN	P370
105	5166 850	1	PLUG, 70-SOCKET	P366
106	5166 851	1	RECEPTACLE, 70-PIN	P350
108	5166 842	2	RECEPTACLE, 40-PIN, FLANGE MOUNT	P72,P210
109	5166 818	2	PLUG, 8-SOCKET	P349, P395
111	5112 938	2	LOCKING WEDGE, FOR 8 SOCKET PLUG	
113	5166 822	1	PLUG, 12-PIN	P360
114	5166 812	2	RECEPTACLE, 12-PIN	P365, P363
115	5166 816	1	PLUG,	P164
116	5112 936	1	LOCKING WEDGE, FOR 6 SOCKET PLUG	
117	5112 942	1	LOCKING WEDGE, FOR 12 SOCKET PLUG	P360
118	5166 932	2	LOCKING WEDGE, FOR 12 PIN RECEPTACLE	P365, P363
124	520194	1	RECEPTACLE, 29 PIN	P250
126	5166 798	AR	SOCKET, 16 GA	
127	5166 797	AR	PIN, 16 GA	
128	5166 799	4	PIN, 12 GA	P250
129	5166 796	AR	SOCKET, 14-16 GA	
130	5166 791	AR	PIN, 14-16 GA	
131	5166 787	3	SEALING PLUG, 20 GA	P250
132	5166 788	AR	SEALING PLUG, 12-16 GA	
138	5120 803	5	RECEPTACLE, 12-PORT	P215-P225
143	5166 763	1	CONNECTOR, MALE TOWER, 3-POLE	P371
153	5166 777	3	SEAL, 16 GA OR SMALLER	P371
161	5166 793	3	SOCKET, FEMALE 14-16 GA.	P371
172	5166 693	6	TERMINAL, FEMALE SPADE 14-16 GA	P92,P93,P94
175	5166 663	2	CONNECTOR, BUTT 14-16 GA	P354
178	5164299	11	CONNECTOR, #8 I-RING 14 - 16 GA.	P356,P380,P381
179	5164307	9	TERMINAL,RING 10-12 GA. X 3/8"	P376
181		AR	BLACK BRAIDING MATERIAL	
184		AR	CABLE, 18 AWG SHIELDED -	
186	4738 0100	1	LABEL	
187		AR	HEAT SHRINK TUBING 1/4" POLYOLEFIN	

Wire List (42350153WL) found on separate drawing.
Location: PDMVault\Database\4\42350153WL.xls

NO CHANGES THIS SHEET		SWA 03-21-13	600910	ALL DIMENSIONS IN INCHES		CUSTOMARY: 		THIRD ANGLE PROJECTION	
ITEM 138 QTY 5 WAS 4		SWA 05-25-12	600688	IMPLIED TOLERANCES		PRODUCT: M7			
ADDED ITEM 175,178,179. ADDED NOTE AT ITEMS 1 & 2. DRC16-40S WAS DRC-14-40FA.		MKS 04-30-10	600223	FRACTION	± 1/8	DESCRIPTION: HARNESS, CAB			
NO CHANGES THIS SHEET		BJB 01/29/10	600185	X	± .06	SIZE	SCALE	DRAWING CODE NUMBER	REV.
NEW ISSUE		DLSMKS 22-Sep-09	600134	XX	± .03	D NTS		42350153	F
REV	CHANGE	DRAWN BY: DATE:	CHECKED BY: DATE:	E.C.O.#	PLANE ANGLES 90-1°	ASSEMBLY:-		SHEET 2 OF 2	

Wire List for Harness 42350153

Plug # Pin #	Wire #	Description	REV CODE	Terminal / Seal	Notes (See Last pg)	Destination Connection	Wire Size & Color	Pin Size
P72 Engine Harness at Cab Wall								
1	-	-		132			-	
2	-	-		132			-	
3	-	-		132			-	
4	-	-		132			-	
5	315	- "Wait to Start" lamp (ground) - to ECU		130		P366 @ 49	16 ga. Black	14-16
6	-	-		132			-	
7	-	-		130			-	
8	423	- Power +24V Engine Reverse Fan On-Off		130		P360 @ 12	16 ga. Red	14-16
9	-	-		130			-	
10	457	- Switch, Throttle Ramp (Superior Diesel)		132		P360 @ 11	16 ga. Black	14-16
11	-	-		132			-	
12	-	-		132			-	
13	-	-		132			-	
14	-	-		132			-	
15	39	- Starter Solenoid from Neutral Start Relay		130		P350 @ 3	16 ga. Black	14-16
16	36	- Tachometer		130		P366 @ 16	16 ga. Black	14-16
17	-	-		130			-	
18	-	-		130			-	
19	-	-		132			-	
20	-	-		132			-	
21	362	- Engine Hi/Low Speed Return (J.D. 8.1L)		130		P360 @ 7	16 ga. Black	14-16
22	361	- Engine Hi/Low Speed Select (J.D. 8.1L)		130		P360 @ 6	16 ga. Black	14-16
23	398	- Bump Enable		130		P360 @ 8	16 ga. Black	14-16
24	196	- A/C clutch and Relay		130	SPLICE	P366 @ 50 P350 @ 7	16 ga. Black 16 ga. Black	14-16 14-16
25	323	- Power +24 Vdc to ECU (CB57)		130		P350 @ 39	16 ga. Red	14-16
26	324	- Fused +24 Vdc Power to ECU (F5, 7.5A)		130		P350 @ 50	16 ga. Red	14-16
27	325	- Fused +24 Vdc Power to ECU (F6, 7.5A)		130		P350 @ 51	16 ga. Red	14-16
28	326	- Fused +24 Vdc Power to ECU (F7, 7.5A)		130		P350 @ 52	16 ga. Red	14-16
29	327	- Fused +24 Vdc Power to ECU (F8, 10A)		130		P350 @ 53	16 ga. Red	14-16
30	328	- Fused +24 Vdc Power to ECU (F9, 10A)		130		P350 @ 54	16 ga. Red	14-16
31	2	- Ground		130	SPLICE	P350 @ 40 P395 @ 1 P164 @ 6	16 ga. Green 16 ga. Green 16 ga. Green	14-16 14-16 14-16
32	2	- Ground		130		P350 @ 41	16 ga. Green	14-16
33	2	- Ground		130		P350 @ 42	16 ga. Green	14-16
34	2	- Ground		130		P350 @ 43	16 ga. Green	14-16
35	2	- Ground		130		P350 @ 44	16 ga. Green	14-16
36	340	- J1708 Data (+)		132		P395 @ 6	16 ga. Black	14-16
37	341	- J1708 Data (-)		132		P395 @ 7	16 ga. Black	14-16
38	330	- CAN_H {J1939(+)}		130	SHIELDED CABLE, ITEM 184	P164 @ 2 P395 @ 3	18 ga. Yellow 18 ga. Yellow	18-20 18-20
39	331	- CAN_L {J1939(-)}		130		P164 @ 3 P395 @ 4	18 ga. Green 18 ga. Green	18-20 18-20
40	332	- CAN_SHLD [J1939(shield)]		130		P164 @ 4 P395 @ 5	18 ga. Gray 18 ga. Gray	18-20 18-20
P92 L.H. Lower Winshield Wiper								
1	220	- Lower Wiper (left front) - Low speed		172		P366 @ 8	16 ga. Black	14-16
2	221	- Lower Wiper (left front) - Park		172		P366 @ 9	16 ga. Black	14-16
P93 R.H. Lower Winshield Wiper								
1	222	- Lower Wiper (right front) - Low speed		172		P366 @ 10	16 ga. Black	14-16
2	223	- Lower Wiper (right front) - Park		172		P366 @ 11	16 ga. Black	14-16
P94 Center Front Winshield Wiper								
1	218	- Front Wipers (upper) - Low speed		172		P366 @ 6	16 ga. Black	14-16
2	219	- Front Wipers (upper) - Park		172		P366 @ 7	16 ga. Black	14-16

Wire List for Harness 42350153

Plug # Pin #	Wire #	Description	REV CODE	Terminal / Seal	Notes (See Last pg)	Destination Connection	Wire Size & Color	Pin Size
P164 Engine Diagnostic - Murphylink								
1	14	- Power +24VDC CB42		129	SPLICE	P366 @ 62 P371 @ A	16 ga. Red 16 ga. Red	14-16 14-16
2	330	- CAN_H {J1939(+)}		129	SHIELDED CABLE, ITEM 184	P72 @ 38	18 ga. Yellow	18-20
3	331	- CAN_L {J1939(-)}		129		P395 @ 3	18 ga. Yellow	18-20
						P72 @ 39	18 ga. Green	18-20
						P395 @ 4	18 ga. Green	18-20
4	332	- CAN_SHLD {J1939(shield)}		129		P72 @ 40	18 ga. Gray	18-20
5	-	-		-		P395 @ 5	18 ga. Gray	18-20
6	2	- Ground		129	SPLICE	P72 @ 31 P395 @ 1 P350 @ 40	16 ga. Green 16 ga. Green 16 ga. Green	14-16 14-16 14-16
P210 Junction Box 1 - 4, Cab Wall								
1	81	- Plow Down		130	SPLICE	P370 @ 36 P350 @ 23	16 ga. Black 16 ga. Black	14-16 14-16
2	82	- Plow Door - L.H. Retract		130		P370 @ 37	16 ga. Black	14-16
3	83	- Plow Door - L.H. Extend		130		P370 @ 38	16 ga. Black	14-16
4	78	- Plow Door - R.H. Retract		130		P370 @ 33	16 ga. Black	14-16
5	79	- Plow Door - R.H. Extend		130		P370 @ 34	16 ga. Black	14-16
6	84	- Plow Float		130		P350 @ 24	16 ga. Black	14-16
7	99	- Plow Lock-up cylinder		130		P355 @ 9	16 ga. Black	14-16
8	80	Plow Lift		130	SPLICE	P370 @ 35 P350 @ 22	16 ga. Black 16 ga. Black	14-16 14-16
9	26	Power +24VDC CB62		130	SPLICE	P215 @ 12 P216 @ 12 P217 @ 12 P218 @ 12 P350 @ 14 P355 @ 18	16 ga. Red 16 ga. Red 16 ga. Red 16 ga. Red 16 ga. Red 16 ga. Red	14-16 14-16 14-16 14-16 14-16 14-16
10	2	Ground		130	SPLICE	P210 @ 20 P350 @ 15 P355 @ 17 P370 @ 16	16 ga. Green 16 ga. Green 16 ga. Green 16 ga. Green	14-16 14-16 14-16 14-16
11	434	RH Rear Template Door OUT		130		P382 @ 6	16 ga. Black	14-16
12	431	LH Rear Template Door IN		130		P382 @ 3	16 ga. Black	14-16
13	433	RH Rear Template Door IN		130		P382 @ 5	16 ga. Black	14-16
14	430	LH Front Template Door OUT		130		P382 @ 2	16 ga. Black	14-16
15	436	RH Front Template Door OUT		130		P382 @ 8	16 ga. Black	14-16
16	429	LH Front Template Door IN		130		P382 @ 1	16 ga. Black	14-16
17	435	RH Front Template Door IN		130		P382 @ 7	16 ga. Black	14-16
18	432	LH Rear Template Door OUT		130		P382 @ 4	16 ga. Black	14-16
19	-	-		132			-	-
20	2	Ground		130	SPLICE	P210 @ 10 P350 @ 15 P355 @ 17 P370 @ 16	16 ga. Green 16 ga. Green 16 ga. Green 16 ga. Green	14-16 14-16 14-16 14-16
21	193	Dust Collector / Auger		130		P366 @ 35	16 ga. Black	14-16
22	118	Chute rotate - CCW / Tiltable Stone Deflector Down		130		P366 @ 37	16 ga. Black	14-16
23	117	Chute rotate - CW / Tiltable Stone Deflector Up		130		P366 @ 36	16 ga. Black	14-16
24	426	LH Outer Door Tilt OUT		130		P350 @ 64	16 ga. Black	14-16
25	427	RH Outer Door Tilt OUT		130		P350 @ 67	16 ga. Black	14-16
26	425	LH Outer Door Tilt IN		130		P350 @ 63	16 ga. Black	14-16
27	428	RH Outer Door Tilt IN		130		P350 @ 68	16 ga. Black	14-16
28	-	-		130			-	-
29	-	-		132			-	-
30	2	Ground		130	SPLICE	P210 @ 40 P350 @ 17	16 ga. Green 16 ga. Green	14-16 14-16
31	167	Transmission Oil Pressure Sender		130		P366 @ 19	16 ga. Black	14-16
32	460	Turntable Power Lockup		132		P366 @ 48	16 ga. Black	14-16
33	49	Brake Pedal Out		130		P355 @ 8 P349 @ 1	16 ga. Black 16 ga. Black	14-16 14-16
34	35	Hydraulic Pump		130		P355 @ 2	16 ga. Black	14-16
35	308	Track Drive		132		P363 @ 9	16 ga. Black	14-16
36	101	Speedometer		130		P371 @ C	16 ga. Black	14-16
37	110	Emergency pump		130		P366 @ 20	16 ga. Black	14-16
38	162	Transmission Temp. Sender		130		P366 @ 18	16 ga. Black	14-16
39	-	-		132			-	-
40	2	Ground		130	SPLICE	P210 @ 30 P350 @ 17	16 ga. Green 16 ga. Green	14-16 14-16

Wire List for Harness 42350153

Plug # Pin #	Wire #	Description	REV CODE	Terminal / Seal	Notes (See Last pg)	Destination Connection	Wire Size & Color	Pin Size
P215 Junction Box 5 - Cab Wall								
1	40	Fuel Sender		ORN		P366 @ 17	16 ga. Black	14-16
2	115	Broom Forward Rotate		BLU		P366 @ 33	16 ga. Black	14-16
3	116	Broom Reverse Rotate		WHT/BLK		P366 @ 34	16 ga. Black	14-16
4	114	Broom Tilt - down		RED/BLK		P366 @ 32	16 ga. Black	14-16
5	113	Broom Tilt - up		GRN/BLK		P366 @ 31	16 ga. Black	14-16
6	112	Broom Down		ORG/BLK		P366 @ 30	16 ga. Black	14-16
7	111	Broom Up		BLU/BLK		P366 @ 29	16 ga. Black	14-16
8	160	Broom Lock-up valve		BLK/WHT		P366 @ 28	16 ga. Black	14-16
9	-	-		GRN			-	
10	2	Ground		RED	SPLICE	P216 @ 10 P350 @ 19	16 ga. Green 16 ga. Green	14-16 14-16
11	-	-		WHT			-	
12	26	Power +24VDC CB62		BLK	SPLICE	P210 @ 9	16 ga. Red	14-16
						P216 @ 12	16 ga. Red	14-16
						P217 @ 12	16 ga. Red	14-16
						P218 @ 12	16 ga. Red	14-16
						P350 @ 14	16 ga. Red	14-16
P355 @ 18	16 ga. Red	14-16						
P216 Junction Box 6 - Cab Wall								
1	414	Trans Sol 3		ORN		P365 @ 12	16 ga. Black	14-16
2	411	Trans Sol 6		BLU		P365 @ 9	16 ga. Black	14-16
3	412	Trans Sol 5		WHT/BLK		P365 @ 10	16 ga. Black	14-16
4	424	Snow Wing LH Power Lock-up		RED/BLK		P366 @ 40	16 ga. Black	14-16
5	211	Snow Wing RH Power Lock-up		GRN/BLK		P366 @ 47	16 ga. Black	14-16
6	422	Turntable Interlock		ORG/BLK		P366 @ 70	16 ga. Black	14-16
7	276	Warm Up		BLU/BLK		P366 @ 5	16 ga. Black	14-16
8	413	Trans Sol 1		BLK/WHT		P365 @ 11	16 ga. Black	14-16
9	-	-		GRN			-	
10	2	Ground		RED	SPLICE	P215 @ 10 P350 @ 19	16 ga. Green 16 ga. Green	14-16 14-16
11	-	-		WHT			-	
12	26	Power +24VDC CB62		BLK	SPLICE	P210 @ 9	16 ga. Red	14-16
						P215 @ 12	16 ga. Red	14-16
						P217 @ 12	16 ga. Red	14-16
						P218 @ 12	16 ga. Red	14-16
						P350 @ 14	16 ga. Red	14-16
P355 @ 18	16 ga. Red	14-16						
P217 Junction Box 7 - Cab Wall								
1	296	R.H. Inner Door Tilt - In		ORN		P366 @ 43	16 ga. Black	14-16
2	293	R.H. Outer Door Rotate CCW		BLU		P350 @ 69	16 ga. Black	14-16
3	294	R.H. Outer Door Rotate CW		WHT/BLK		P350 @ 70	16 ga. Black	14-16
4	268	L.H. Inner Door Tilt - Out		RED/BLK		P366 @ 46	16 ga. Black	14-16
5	270	L.H. Inner Door Tilt - In		GRN/BLK		P366 @ 45	16 ga. Black	14-16
6	259	L.H. Outer Door Rotate CW	D	ORG/BLK		P350 @ 65	16 ga. Black	14-16
7	261	L.H. Outer Door Rotate CCW	D	BLU/BLK		P350 @ 66	16 ga. Black	14-16
8	298	R.H. Inner Door Tilt - Out		BLK/WHT		P366 @ 44	16 ga. Black	14-16
9	-	-		GRN			-	
10	2	Ground		RED	SPLICE	P218 @ 10 P350 @ 21	16 ga. Green 16 ga. Green	14-16 14-16
11	-	-		WHT			-	
12	26	Power +24VDC CB62		BLK	SPLICE	P210 @ 9	16 ga. Red	14-16
						P215 @ 12	16 ga. Red	14-16
						P216 @ 12	16 ga. Red	14-16
						P218 @ 12	16 ga. Red	14-16
						P350 @ 14	16 ga. Red	14-16
P355 @ 18	16 ga. Red	14-16						

Wire List for Harness 42350153

Plug # Pin #	Wire #	Description	REV CODE	Terminal / Seal	Notes (See Last pg)	Destination Connection	Wire Size & Color	Pin Size
P218 Junction Box 8 - Cab Wall								
1	300	Right Rear Articulated Door - Up		ORN		P382 @ 13	16 ga. Black	14-16
2	290	Right Front Articulated Door - Down		BLU		P382 @ 16	16 ga. Black	14-16
3	292	Right Front Articulated Door - Up		WHT/BLK		P382 @ 15	16 ga. Black	14-16
4	260	Left Rear Articulated Door - Down		RED/BLK		P382 @ 12	16 ga. Black	14-16
5	262	Left Rear Articulated Door - Up		GRN/BLK		P382 @ 11	16 ga. Black	14-16
6	266	Left Front Articulated Door - Down		ORG/BLK		P382 @ 10	16 ga. Black	14-16
7	264	Left Front Articulated Door - Up		BLU/BLK		P382 @ 9	16 ga. Black	14-16
8	302	Right Rear Articulated Door - Down		BLK/WHT		P382 @ 14	16 ga. Black	14-16
9	-	-		GRN			-	-
10	2	Ground		RED	SPLICE	P217 @ 10 P350 @ 21	16 ga. Green 16 ga. Green	14-16 14-16
11	-	-		WHT			-	-
12	26	Power +24VDC CB62		BLK	SPLICE	P210 @ 9 P215 @ 12 P216 @ 12 P217 @ 12 P350 @ 14 P355 @ 18	16 ga. Red 16 ga. Red 16 ga. Red 16 ga. Red 16 ga. Red 16 ga. Red	14-16 14-16 14-16 14-16 14-16 14-16
P225 Prop Control Harness - RH IN/OUT								
			E					
1	-	-		ORN			16 ga. -	14-16
2	-	-		BLU			16 ga. -	14-16
3	-	-		WHT/BLK			16 ga. -	14-16
4	-	-		RED/BLK			16 ga. -	14-16
5	-	-		GRN/BLK			16 ga. -	14-16
6	464	Broom Shift Right		ORG/BLK		P366 @ 42	16 ga. Black	14-16
7	463	Broom Shift Left		BLU/BLK		P366 @ 41	16 ga. Black	14-16
8	-	-		BLK/WHT			16 ga. -	14-16
9	-	-		GRN			-	-
10	2	Ground		RED	SPLICE	P217 @ 10 P350 @ 21	16 ga. Green 16 ga. Green	14-16 14-16
11	-	-		WHT			-	-
12	27	Power +24VDC CB63		BLK	SPLICE	P210 @ 9 P215 @ 12 P216 @ 12 P217 @ 12 P350 @ 14 P355 @ 18	16 ga. Red 16 ga. Red 16 ga. Red 16 ga. Red 16 ga. Red 16 ga. Red	14-16 14-16 14-16 14-16 14-16 14-16
P250 Frame Harness at Cab Wall								
1	19	Power +24VDC CB51		128		P380 -	12 ga. Red	10-12
2	2	Ground		128		P376 -	12 ga. Green	10-12
3	20	Power +24VDC CB52		128		P380 -	12 ga. Red	10-12
4	2	Ground		128		P376 -	12 ga. Green	10-12
5	63	Pump (Drive) input - variable		130		P366 @ 3	16 ga. Black	14-16
6	62	Pump (Drive) input - common		130		P366 @ 2	16 ga. Black	14-16
7	16	Power +24VDC CB44		130		P366 @ 21	16 ga. Red	14-16
8	2	Ground		130	SPLICE	P350 @ 29 P349 @ 7	16 ga. Green 16 ga. Green	14-16 14-16
9	210	Perimeter lights - Front (3 on engine)		130		P366 @ 3	14 ga. Black	14-16
10	159	Hydraulic Oil Temperature Sender		130		P366 @ 63	16 ga. Black	14-16
11	104	Case Drain Filter Indicator - Green		130		P366 @ 68	16 ga. Black	14-16
12	215	Low Hydraulic Oil Level/High Temp. Switch		130		P366 @ 26	16 ga. Black	14-16
13	208	Ammeter (positive)		130		P366 @ 24	16 ga. Black	14-16
14	209	Ammeter (negative)		130		P366 @ 25	16 ga. Black	14-16
15	106	Turntable Warning light		130		P366 @ 59	16 ga. Black	14-16
16	395	Turntable Up - Ground for Brakes		130		P366 @ 60	16 ga. Black	14-16
17	75	Pressure Filter (Implement) Indicator - Red		130		P366 @ 52	16 ga. Black	14-16
18	462	Hyd Oil Temp Alarm		131		P366 @ 39	16 ga. Black	14-16
19	76	Main Return Filter Indicator - Green		130		P366 @ 53	16 ga. Black	14-16
20	-	-		131			-	-
21	74	Pressure Filter (Implement) Indicator - Green		130		P366 @ 51	16 ga. Black	14-16
22	77	Main Return Filter Indicator - Red		130		P366 @ 54	16 ga. Black	14-16
23	102	Charge Pump Filter Indicator - Green		130		P366 @ 55	16 ga. Black	14-16
24	103	Charge Pump Filter Indicator - Red		130		P366 @ 56	16 ga. Black	14-16
25	206	Return Filter (Snow Blower) - Green		130		P366 @ 57	16 ga. Black	14-16
26	207	Return Filter (Snow Blower) - Red		130		P366 @ 67	16 ga. Black	14-16
27	-	-		131			-	-
28	105	Case Drain Filter Indicator - Red		130		P366 @ 69	16 ga. Black	14-16
29	-	-		131			-	-
P349 Brake Pedal Harness								

Wire List for Harness 42350153

Plug # Pin #	Wire #	Description	REV CODE	Terminal / Seal	Notes (See Last pg)	Destination Connection	Wire Size & Color	Pin Size
1	49	Brake Pedal Out			SPLICE	P355 @ 8	16 ga. Black	14-16
						P210 @ 33	16 ga. Black	14-16
2	393	Brake Pedal Return				P350 @ 28	16 ga. Black	14-16
3	377	A/C on signal				P366 @ 23	16 ga. Black	14-16
4	21	Power +24VDC CB53				P350 @ 45	14 ga. Red	14-16
5	2	Ground				P350 @ 46	14 ga. Green	14-16
6	23	Power +24VDC CB55				P350 @ 35	16 ga. Red	14-16
7	2	Ground			SPLICE	P250 @ 8	14 ga. Green	14-16
						P350 @ 29		
8	-	-					-	

Wire List for Harness 42350153

Plug # Pin #	Wire #	Description	REV CODE	Terminal / Seal	Notes (See Last pg)	Destination Connection	Wire Size & Color	Pin Size
P350 Dist Panel, Cen Console								
1	386	Start: Implement Pump off to Neutral Start		130		P355 @ 4	16 ga. Black	14-16
2	347	E-Stop PB1 to E-Stop PB8		130		P365 @ 2	16 ga. Black	14-16
3	39	Starter Solenoid from Neutral Start Relay		130		P72 @ 15	16 ga. Black	14-16
4	456	Power to F14 (1A) Fuse		130		P395 @ 2	16 ga. Red	14-16
5	461	Turntable functions from Elec Interlock PB2		130		P366 @ 58	16 ga. Black	14-16
6	2	Ground		130		P371 @ B	16 ga. Green	14-16
7	196	A/C clutch and Relay		130	SPLICE	P366 @ 50 P72 @ 24	16 ga. Black 16 ga. Black	14-16 14-16
8	419	Drive/Neutral Switch, Common		130		P365 @ 6	16 ga. Black	14-16
9	-	-		130			-	
10	-	-		130			-	
11	24	Power +24VDC CB56		130		P355 @ 5	14 ga. Red	14-16
12	2	Ground		130		P360 @ 1	16 ga. Green	14-16
13	50	Electrical Interlock PB to Relay Coil		130		P360 @ 9	16 ga. Black	14-16
14	26	Power +24VDC CB62		130	SPLICE	P210 @ 9	16 ga. Red	14-16
						P216 @ 12	16 ga. Red	14-16
						P217 @ 12	16 ga. Red	14-16
						P218 @ 12	16 ga. Red	14-16
						P215 @ 12	16 ga. Red	14-16
15	2	Ground		130	SPLICE	P355 @ 18	16 ga. Red	14-16
						P210 @ 10	16 ga. Green	14-16
						P210 @ 20	16 ga. Green	14-16
						P370 @ 16	16 ga. Green	14-16
16	-	-		130			-	
17	2	Ground		130	SPLICE	P210 @ 30 P210 @ 40	16 ga. Green 16 ga. Green	14-16 14-16
18	-	-		130			-	
19	2	Ground		130	SPLICE	P215 @ 10 P216 @ 10	16 ga. Green 16 ga. Green	14-16 14-16
20	29	Power +24VDC CB65		130	SPLICE	P370 @ 19 P355 @ 7	16 ga. Red 16 ga. Red	14-16 14-16
21	2	Ground		130	SPLICE	P217 @ 10 P218 @ 10	16 ga. Green 16 ga. Green	14-16 14-16
22	80	Plow Lift		130	SPLICE	P370 @ 35 P210 @ 8	16 ga. Black 16 ga. Black	14-16 14-16
23	81	Plow Down		130	SPLICE	P355 @ 11 P210 @ 1	16 ga. Black 16 ga. Black	14-16 14-16
24	84	Plow Float		130		P210 @ 6	16 ga. Black	14-16
25	274	Plow Float Light		130	SPLICE	P355 @ 16 P370 @ 39	16 ga. Black 16 ga. Black	14-16 14-16
26	30	Power +24VDC CB66		130		P355 @ 20	16 ga. Red	14-16
27	2	Ground (EDC)		130		P363 @ 1	16 ga. Green	14-16
28	393	Brake Pedal Return		130		P349 @ 2	16 ga. Black	14-16
29	2	Ground		130	SPLICE	P250 @ 8 P349 @ 7	16 ga. Green 14 ga. Green	14-16 14-16
30	-	-		130			-	
31	321	"Drive" Input (from RKS47)		130		P365 @ 8	16 ga. Black	14-16
32	-	-		-			-	
33	-	-		-			-	
34	329	"Neutral" Input (from RKS47)		130		P365 @ 7	16 ga. Black	14-16
35	23	Power +24VDC CB55		130		P349 @ 6	16 ga. Red	14-16
36	-	-		-			-	
37	-	-		-			-	
38	348	E-Stop PB8 to Ignition relay coil CR1		130		P360 @ 10	16 ga. Black	14-16
39	323	Power +24 Vdc to ECU (CB57)		130		P72 @ 25 P72 @ 31	16 ga. Red 16 ga. Green	14-16 14-16
40	2	Ground		130	SPLICE	P164 @ 6	16 ga. Green	14-16
						P395 @ 1	16 ga. Green	14-16
						P72 @ 32	16 ga. Green	14-16
41	2	Ground		130		P72 @ 33	16 ga. Green	14-16
42	2	Ground		130		P72 @ 34	16 ga. Green	14-16
43	2	Ground		130		P72 @ 35	16 ga. Green	14-16
44	2	Ground		130		P72 @ 35	16 ga. Green	14-16
45	21	Power +24VDC CB53		130		P349 @ 4	14 ga. Red	14-16
46	2	Ground		130		P349 @ 5	14 ga. Green	14-16
47	-	-		-			-	
48	43	EDC Controller Power (F3) +24V		130		P363 @ 4	16 ga. Red	14-16
49	42	EDC Controller to Neutral Start Relay coil		130	SPLICE	P363 @ 5	16 ga. Black	14-16
						P365 @ 3	16 ga. Black	14-16
50	324	Fused +24 Vdc Power to ECU (F5, 7.5A)		130		P72 @ 26	16 ga. Red	14-16
51	325	Fused +24 Vdc Power to ECU (F6, 7.5A)		130		P72 @ 27	16 ga. Red	14-16
52	326	Fused +24 Vdc Power to ECU (F7, 7.5A)		130		P72 @ 28	16 ga. Red	14-16
53	327	Fused +24 Vdc Power to ECU (F8, 10A)		130		P72 @ 29	16 ga. Red	14-16
54	328	Fused +24 Vdc Power to ECU (F9, 10A)		130		P72 @ 30	16 ga. Red	14-16
55	25	Power +24VDC CB61		130		P355 @ 1	16 ga. Red	14-16
56	-	-		-			-	

Wire List for Harness 42350153

Plug # Pin #	Wire #	Description	REV CODE	Terminal / Seal	Notes (See Last pg)	Destination Connection	Wire Size & Color	Pin Size
57	265	L.H. Outer Door Tilt/Rotate IN		130		P370 @ 5	16 ga. Black	14-16
58	263	L.H. Outer Door Tilt/Rotate OUT		130		P370 @ 6	16 ga. Black	14-16
59	289	R.H. Outer Door Tilt/Rotate IN		130		P370 @ 11	16 ga. Black	14-16
60	291	R.H. Outer Door Tilt/Rotate OUT		130		P370 @ 12	16 ga. Black	14-16
61	258	LH Hand Controller trigger to CR53		130	SPLICE	P370 @ 13 P382 @ 26	14 ga. Black 14 ga. Black	14-16 14-16
62	288	RH Front & Rear Hand Cont. (trigger) to CR55		130	SPLICE	P370 @ 14 P382 @ 25	14 ga. Black 14 ga. Black	14-16 14-16
63	425	LH Outer Door Tilt IN		130		P210 @ 26	14 ga. Black	14-16
64	426	LH Outer Door Tilt OUT		130		P210 @ 24	14 ga. Black	14-16
65	259	L.H. Outer Door Rotate CCW		130		P217 @ 6	14 ga. Black	14-16
66	261	L.H. Outer Door Rotate CW		130		P217 @ 7	14 ga. Black	14-16
67	427	RH Outer Door Tilt IN		130		P210 @ 27	14 ga. Black	14-16
68	428	RH Outer Door Tilt OUT		130		P210 @ 25	14 ga. Black	14-16
69	293	R.H. Outer Door Rotate CCW		130		P217 @ 2	14 ga. Black	14-16
70	294	R.H. Outer Door Rotate CW		130		P217 @ 3	14 ga. Black	14-16

P354 Radio								
A	345	12Vdc output from Converter - for radio circuit.		NONE		P356 - 3	10 ga. Black	10-12
B	2	Ground		NONE		P356 - 4	10 ga. Green	10-12

P355 Gen Console front panel								
1	25	Power +24VDC CB61		127		P350 @ 55	16 ga. Red	14-16
2	35	Hydraulic Pump		127		P210 @ 34	16 ga. Black	14-16
3	41	Engine Start from Ignition Switch		127		P360 @ 3	16 ga. Black	14-16
4	386	Start: Implement Pump off to Neutral Start		127		P350 @ 1	16 ga. Black	14-16
5	24	Power +24VDC CB56		127		P350 @ 11	14 ga. Red	14-16
6	387	Horn Compressor Power		127		P366 @ 64	14 ga. Black	14-16
7	29	Power +24VDC CB65		127	SPLICE	P350 @ 20 P370 @ 19	16 ga. Red 16 ga. Red	14-16 14-16
8	49	Brake Pedal Out		127	SPLICE	P349 @ 1 P210 @ 33	16 ga. Black 16 ga. Black	14-16 14-16
9	99	Plow Lock-up cylinder		127		P210 @ 7	16 ga. Black	14-16
10	-	-		-			-	-
11	-	-		-			-	-
12	-	-		-			-	-
13	-	-		-			-	-
14	-	-		-			-	-
15	-	-		-			-	-
16	274	Plow Float Light		127	SPLICE	P350 @ 25 P370 @ 39	16 ga. Black 16 ga. Black	14-16 14-16
17	2	Ground		127	SPLICE	P210 @ 10 P210 @ 20 P350 @ 15 P370 @ 16	16 ga. Green 16 ga. Green 16 ga. Green 16 ga. Green	14-16 14-16 14-16 14-16
18	26	Power +24VDC CB62		130		P210 @ 9 P215 @ 12 P216 @ 12 P217 @ 12 P218 @ 12 P350 @ 14	16 ga. Red 16 ga. Red 16 ga. Red 16 ga. Red 16 ga. Red 16 ga. Red	14-16 14-16 14-16 14-16 14-16 14-16
19	385	Power - LH Joystick, Proportional valves		130		P370 @ 15	16 ga. Black	14-16
20	30	Power +24VDC CB66		130		P350 @ 26	16 ga. Red	14-16
21	391	Power, RH Joystick Rear		130		P370 @ 18	16 ga. Black	14-16
22	389	Power, RH Joystick Front		130		P370 @ 17	16 ga. Black	14-16
23	-	-		-			-	-
24	4	Power +24VDC from Power Relay to CB Panel		-		P360 @ 4	16 ga. Red	14-16

P356 Converter								
1	344	Fused +24 Vdc Power to 12V/24V converter (F1)	F	NONE		P376 - 344	12 ga. Red	10-12
2	2	Ground		NONE		P376 - 2	12 ga. Green	10-12
3	345	12Vdc output from Converter - for radio circuit.		NONE		P354 - A (345)	10 ga. Black	10-12
4	2	Ground		NONE		P354 - B (2)	10 ga. Green	10-12

Wire List for Harness 42350153

Plug # Pin #	Wire #	Description	REV CODE	Terminal / Seal	Notes (See Last pg)	Destination Connection	Wire Size & Color	Pin Size
P360 Ign Switch								
1	2	Ground		129		P350 @ 12	16 ga. Green	14-16
2	5	Power +24VDC from Ignition Switch to E-Stop		129		P365 @ 1	16 ga. Red	14-16
3	41	Engine Start from Ignition Switch		129		P355 @ 3	16 ga. Black	14-16
4	4	Power +24VDC from Power Relay to CB Panel		129	(CR1-14)	P355 @ 24	16 ga. Red	14-16
5	-	-		129			-	
6	361	Engine Hi/Low Speed Select (J.D. 8.1L)		129		P72 @ 22	16 ga. Black	14-16
7	362	Engine Hi/Low Speed Return (J.D. 8.1L)		129		P72 @ 21	16 ga. Black	14-16
8	398	Bump Enable		129		P72 @ 23	16 ga. Black	14-16
9	50	Electrical Interlock PB to Relay Coil		129		P350 @ 13	16 ga. Black	14-16
10	348	E-Stop PB8 to Ignition relay coil CR1		129		P350 @ 38	16 ga. Black	14-16
11	457	Switch, Throttle Ramp (Superior Diesel)		129		P72 @ 10	16 ga. Black	14-16
12	423	Power +24V Engine Reverse Fan On-Off		129		P72 @ 8	16 ga. Red	14-16
P363 EDC Controller								
1	2	Ground		130		P350 @ 27	16 ga. Green	14-16
2	62	Pump (Drive) input - common		130		P250 @ 6	16 ga. Black	14-16
3	63	Pump (Drive) input - variable		130		P250 @ 5	16 ga. Black	14-16
4	43	EDC Controller Power (F3) +24V		130		P350 @ 48	16 ga. Red	14-16
5	42	EDC Controller to Neutral Start Relay coil		130	SPLICE	P350 @ 49 P365 @ 3	16 ga. Black 16 ga. Black	14-16 14-16
6	182	Reverse Travel Alarm		130		P366 @ 66	16 ga. Black	14-16
7	183	Forward Travel Alarm		130		P366 @ 65	16 ga. Black	14-16
8	134	Travel alarm trigger signal from neutral start relay		130		P366 @ 61	16 ga. Black	14-16
9	308	Motor Track Drive Solenoid		130		P210 @ 35	16 ga. Black	14-16
10	-	-		-			-	
11	-	-		-			-	
12	-	-		-			-	
P365 Gen Console upper panel								
1	5	Power +24VDC from Ignition Switch to E-Stop		130		P360 @ 2	16 ga. Red	14-16
2	347	E-Stop PB1 to E-Stop PB8		130		P350 @ 2	16 ga. Black	14-16
3	42	EDC Controller to Neutral Start Relay coil		130	SPLICE	P350 @ 49 P363 @ 5	16 ga. Black 16 ga. Black	14-16 14-16
4	-	-		-			-	
5	-	-		-			-	
6	419	Drive/Neutral Switch, Common		130		P350 @ 8	16 ga. Black	14-16
7	329	"Neutral" Input (from RKS47)		130		P350 @ 34	16 ga. Black	14-16
8	321	"Drive" Input (from RKS47)		130		P350 @ 31	16 ga. Black	14-16
9	411	Trans Sol 6		130		P216 @ 2	16 ga. Black	14-16
10	412	Trans Sol 5		130		P216 @ 3	16 ga. Black	14-16
11	413	Trans Sol 1		130		P216 @ 8	16 ga. Black	14-16
12	414	Trans Sol 3		130		P216 @ 1	16 ga. Black	14-16

Wire List for Harness 42350153

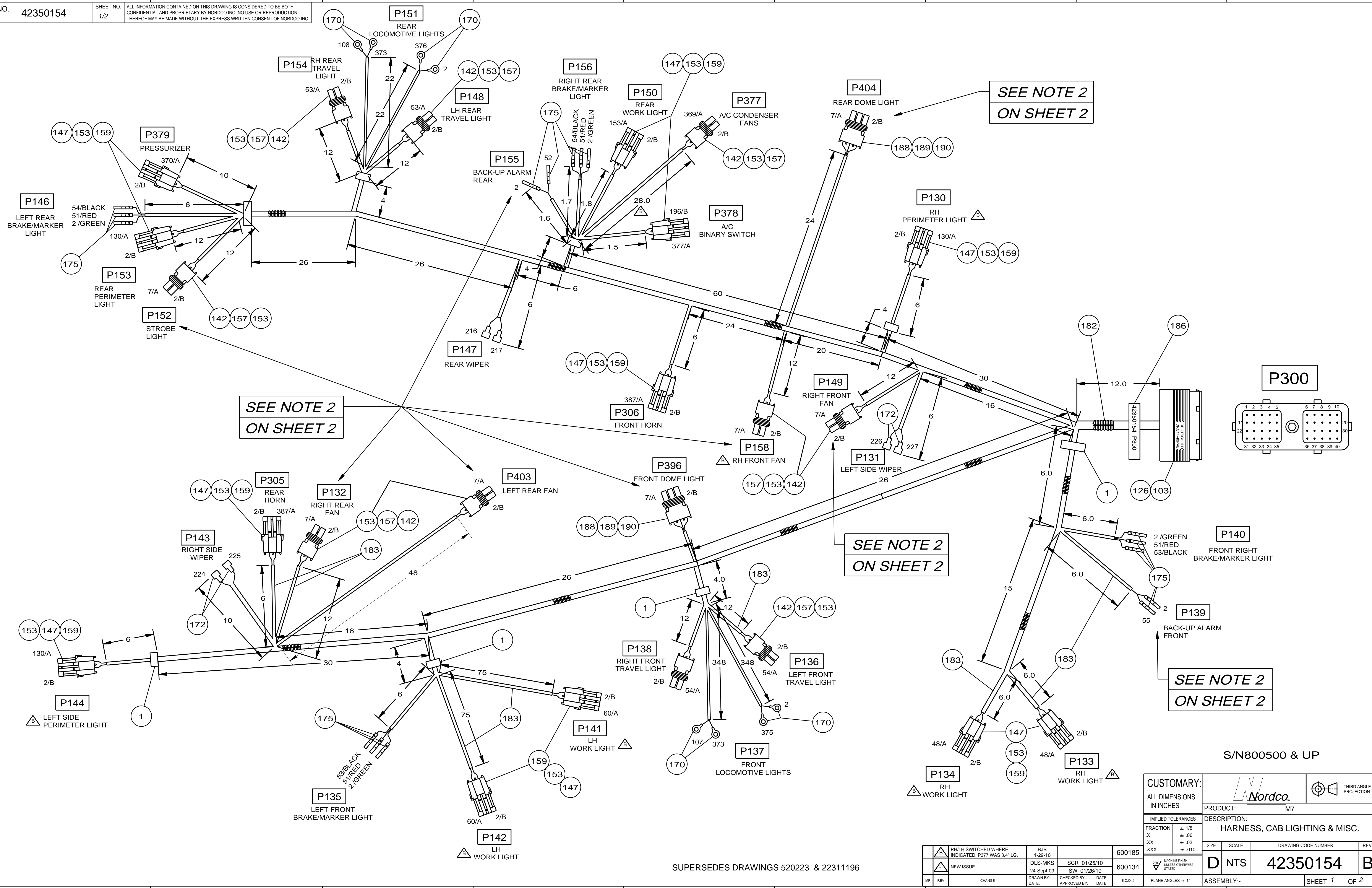
Plug # Pin #	Wire #	Description	REV CODE	Terminal / Seal	Notes (See Last pg)	Destination Connection	Wire Size & Color	Pin Size
P366 OH Console								
1	-	-		-			-	
2	51	Brake Lights		127		P382 @ 28	16 ga. Black	14-16
3	210	Perimeter lights - Front (3 on engine)		127		P250 @ 9	14 ga. Black	14-16
4	-	-		127			-	
5	276	Warm Up		127		P216 @ 7	16 ga. Black	14-16
6	218	Front Wipers (upper) - Low speed		127		P94 @ L	16 ga. Black	14-16
7	219	Front Wipers (upper) - Park		127		P94 @ P	16 ga. Black	14-16
8	220	Lower Wiper (left front) - Low speed		127		P92 @ L	16 ga. Black	14-16
9	221	Lower Wiper (left front) - Park		127		P92 @ P	16 ga. Black	14-16
10	222	Lower Wiper (right front) - Low speed		127		P93 @ L	16 ga. Black	14-16
11	223	Lower Wiper (right front) - Park		127		P93 @ P	16 ga. Black	14-16
12	-	-		-			-	
13	-	-		-			-	
14	-	-		-			-	
15	-	-		-			-	
16	36	Tachometer		127		P72 @ 16	16 ga. Black	14-16
17	40	Fuel Sender		127		P215 @ 1	16 ga. Black	14-16
18	162	Transmission Temp.Sender		127		P210 @ 38	16 ga. Black	14-16
19	167	Transmission Oil Pressure Sender		127		P210 @ 31	16 ga. Black	14-16
20	110	Emergency pump		127		P210 @ 37	16 ga. Black	14-16
21	16	Power +24VDC CB44		127		P250 @ 7	16 ga. Red	14-16
22	369	AC Fan Power		127		P382 @ 29	14 ga. Black	14-16
23	377	A/C on signal		127		P349 @ 3	16 ga. Black	14-16
24	208	Ammeter (positive)		127		P250 @ 13	16 ga. Black	14-16
25	209	Ammeter (negative)		127		P250 @ 14	16 ga. Black	14-16
26	215	Low Hydraulic Oil Level/High Temp. Switch		127		P250 @ 12	16 ga. Black	14-16
27	27	Power +24VDC CB63		127		P382 @ 30	14 ga. Red	14-16
28	160	Broom Lock-up valve		127		P215 @ 8	16 ga. Black	14-16
29	111	Broom Up		127		P215 @ 7	16 ga. Black	14-16
30	112	Broom Down		127		P215 @ 6	16 ga. Black	14-16
31	113	Broom Tilt - up		127		P215 @ 5	16 ga. Black	14-16
32	114	Broom Tilt - down		127		P215 @ 4	16 ga. Black	14-16
33	115	Broom Forward Rotate		127		P215 @ 2	16 ga. Black	14-16
34	116	Broom Reverse Rotate		127		P215 @ 3	16 ga. Black	14-16
35	193	Dust Collector / Auger		127		P210 @ 21	16 ga. Black	14-16
36	117	Chute rotate - CW / Tilttable Stone Deflector Up		127		P210 @ 23	16 ga. Black	14-16
37	118	Chute rotate - CCW / Tilttable Stone Deflector Down		127		P210 @ 22	16 ga. Black	14-16
38	28	Power +24VDC CB64		127		P382 @ 31	14 ga. Red	14-16
39	462	Hyd Oil Temp Alarm		127		P250 @ 18	14 ga. Black	14-16
40	424	Snow Wing LH Power Lock-up		127		P216 @ 4	16 ga. Black	14-16
41	463	Broom Shift Left	E	127		P225 @ 7	16 ga. Black	14-16
42	464	Broom Shift Right	E	127		P225 @ 6	16 ga. Black	14-16
43	296	R.H. Inner Door Tilt - In		127		P217 @ 1	16 ga. Black	14-16
44	298	R.H. Inner Door Tilt - Out		127		P217 @ 8	16 ga. Black	14-16
45	270	L.H. Inner Door Tilt - In		127		P217 @ 5	16 ga. Black	14-16
46	268	L.H. Inner Door Tilt - Out		127		P217 @ 4	16 ga. Black	14-16
47	211	Snow Wing RH Power Lock-up		127		P216 @ 5	16 ga. Black	14-16
48	460	Turntable Power Lockup		127		P210 @ 32	16 ga. Black	14-16
49	315	"Wait to Start" lamp (ground) - to ECU		127		P72 @ 5	16 ga. Black	14-16
50	196	A/C clutch and Relay		127	SPLICE	P72 @ 24 P350 @ 7	16 ga. Black 16 ga. Black	14-16 14-16
51	74	Pressure Filter (Implement) Indicator - Green		127		P250 @ 21	16 ga. Black	14-16
52	75	Pressure Filter (Implement) Indicator - Red		127		P250 @ 17	16 ga. Black	14-16
53	76	Main Return Filter Indicator - Green		127		P250 @ 19	16 ga. Black	14-16
54	77	Main Return Filter Indicator - Red		127		P250 @ 22	16 ga. Black	14-16
55	102	Charge Pump Filter Indicator - Green		127		P250 @ 23	16 ga. Black	14-16
56	103	Charge Pump Filter Indicator - Red		127		P250 @ 24	16 ga. Black	14-16
57	206	Return Filter (Snow Blower) - Green		127		P250 @ 25	16 ga. Black	14-16
58	461	Turntable functions from Elec Interlock PB2		127		P350 @ 5	16 ga. Black	14-16
59	106	Turntable Warning light		127		P250 @ 15	16 ga. Black	14-16
60	395	Turntable Up - Ground for Brakes		127		P250 @ 16	16 ga. Black	14-16
61	134	Travel alarm trigger signal from neutral start relay		127		P363 @ 8	16 ga. Black	14-16
62	14	Power +24VDC CB42		127	SPLICE	P164 @ 1 P371 @ A	16 ga. Red 16 ga. Red	14-16 14-16
63	159	Hydraulic Oil Temperature Sender		127		P250 @ 10	16 ga. Black	14-16
64	387	Horn Compressor Power		127		P355 @ 6	14 ga. Black	14-16
65	183	Forward Travel Alarm		127		P363 @ 7	16 ga. Black	14-16
66	182	Reverse Travel Alarm		127		P363 @ 6	16 ga. Black	14-16
67	207	Return Filter (Snow Blower) - Red		127		P250 @ 26	16 ga. Black	14-16
68	104	Case Drain Filter Indicator - Green		127		P250 @ 11	16 ga. Black	14-16
69	105	Case Drain Filter Indicator - Red		127		P250 @ 28	16 ga. Black	14-16
70	422	Turntable Interlock		127		P216 @ 6	16 ga. Black	14-16

Wire List for Harness 42350153

Plug # Pin #	Wire #	Description	REV CODE	Terminal / Seal	Notes (See Last pg)	Destination Connection	Wire Size & Color	Pin Size
P370 Seat Harness								
1	273	L.H. Front Temp/Articulated Door - In		130		P382 @ 24	16 ga. Black	14-16
2	271	L.H. Front Temp/Articulated Door - Out		130		P382 @ 23	16 ga. Black	14-16
3	269	L.H. Rear Temp/Articulated Door - In		130		P382 @ 22	16 ga. Black	14-16
4	267	L.H. Rear Temp/Articulated Door - Out		130		P382 @ 21	16 ga. Black	14-16
5	265	L.H. Outer Door Tilt/Rotate IN		130		P350 @ 57	16 ga. Black	14-16
6	263	L.H. Outer Door Tilt/Rotate OUT		130		P350 @ 58	16 ga. Black	14-16
7	295	R.H. Rear Temp/Articulated Door - In		130		P382 @ 20	16 ga. Black	14-16
8	297	R.H. Rear Temp/Articulated Door - Out		130		P382 @ 19	16 ga. Black	14-16
9	299	R.H. Front Temp/Articulated Door - In		130		P382 @ 18	16 ga. Black	14-16
10	301	R.H. Front Temp/Articulated Door - Out		130		P382 @ 17	16 ga. Black	14-16
11	289	R.H. Outer Door Tilt/Rotate IN		130		P350 @ 59	16 ga. Black	14-16
12	291	R.H. Outer Door Tilt/Rotate OUT		130		P350 @ 60	16 ga. Black	14-16
13	258	LH Hand Controller trigger to CR53		130	SPLICE	P350 @ 61 P382 @ 26	16 ga. Black 16 ga. Black	14-16 14-16
14	288	RH Front & Rear Hand Cont. (trigger) to CR55		130	SPLICE	P350 @ 62 P382 @ 25	16 ga. Black 16 ga. Black	14-16 14-16
15	385	Power - LH Joystick, Proportional valves		130		P355 @ 19	16 ga. Black	14-16
16	2	Ground		130		P210 @ 10	16 ga. Green	14-16
						P210 @ 20	16 ga. Green	14-16
						P350 @ 15	16 ga. Green	14-16
						P355 @ 17	16 ga. Green	14-16
17	389	Power, RH Joystick Front		130		P355 @ 22	16 ga. Black	14-16
18	391	Power, RH Joystick Rear		130		P355 @ 21	16 ga. Black	14-16
19	29	Power +24VDC CB65		130	SPLICE	P350 @ 20 P355 @ 7	16 ga. Red 16 ga. Red	14-16 14-16
20	-	-		-			-	-
21	-	-		-			-	-
22	-	-		-			-	-
23	-	-		-			-	-
24	-	-		-			-	-
25	-	-		-			-	-
26	-	-		-			-	-
27	-	-		-			-	-
28	-	-		-			-	-
29	-	-		-			-	-
30	-	-		-			-	-
31	-	-		-			-	-
32	-	-		-			-	-
33	78	Plow Door - R.H. Retract		127		P210 @ 4	16 ga. Black	14-16
34	79	Plow Door - R.H. Extend		127		P210 @ 5	16 ga. Black	14-16
35	80	Plow Lift		127	SPLICE	P210 @ 8	16 ga. Black	14-16
						P350 @ 22	16 ga. Black	14-16
36	81	Plow Down		127	SPLICE	P210 @ 1	16 ga. Black	14-16
						P350 @ 23	16 ga. Black	14-16
37	82	Plow Door - L.H. Retract		127		P210 @ 2	16 ga. Black	14-16
38	83	Plow Door - L.H. Extend		127		P210 @ 3	16 ga. Black	14-16
39	274	Plow Float Light		127	SPLICE	P350 @ 25	16 ga. Black	14-16
						P355 @ 16	16 ga. Black	14-16
40	-	-		-			-	-
P371 Speedometer, 2-pin								
A	14	- Power +24VDC CB42		153,161	SPLICE	P164 @ 1 P366 @ 62	16 ga. Red 16 ga. Red	14-16 14-16
B	2	- Ground		153,161		P350 @ 6	16 ga. Green	14-16
C	101	- Speedometer		153,161		P210 @ 36	16 ga. Black	14-16
P376 Converter Connection at Rt Side Panel								
-6	6	- Power +24VDC from Elect Interlock to CB Panel		NONE		P380 - 6	10 ga. Red	10-12
-4	4	- Power +24VDC from Power Relay to CB Panel		NONE		P380 - 4	8 ga. Red	10-12
-4	4	- Power +24VDC from Power Relay to CB Panel		NONE		P381 - 4	8 ga. Red	10-12
-2	2	- Ground		NONE		P380 - 2	8 ga. Green	10-12
-2	2	- Ground		NONE		P381 - 2	8 ga. Green	10-12
-344	344	- Fused +24 Vdc Power to 12V/24V converter (F1	F	NONE		P356 - 344	12 ga. Red	10-12
-2	2	- Ground		NONE		P356 - 2	12 ga. Green	10-12
-2	2	- Ground		NONE		P250 @ 2	12 ga. Green	10-12
-2	2	- Ground		NONE		P250 @ 4	12 ga. Green	10-12

Wire List for Harness 42350153

Plug # Pin #	Wire #	Description	REV CODE	Terminal / Seal	Notes (See Last pg)	Destination Connection	Wire Size & Color	Pin Size
P380 CC Left Panel Loose Connections								
-19	19	- Power +24VDC CB51		NONE		P250 @ 1	12 ga. Red	10-12
-20	20	- Power +24VDC CB52		NONE		P250 @ 3	12 ga. Red	10-12
-4	4	- Power +24VDC from Power Relay to CB Panel		NONE		P376 - 4	8 ga. Red	10-12
-2	2	- Ground		NONE		P376 - 2	8 ga. Green	10-12
-6	6	- Power +24VDC from Elect Interlock to CB Panel		NONE		P376 - 6	10 ga. Red	10-12
P381 OH Console Loose Connections								
A	4	- Power +24VDC from Power Relay to CB Panel		NONE		P376 - 2	8 ga. Red	10-12
B	2	- Ground		NONE		P376 - 4	8 ga. Green	10-12
P382 Dist Panel, Cen Console								
1	429	LH Front Template Door IN		130		P210 @ 16	16 ga. Black	14-16
2	430	LH Front Template Door OUT		130		P210 @ 14	16 ga. Black	14-16
3	431	LH Rear Template Door IN		130		P210 @ 12	16 ga. Black	14-16
4	432	LH Rear Template Door OUT		130		P210 @ 18	16 ga. Black	14-16
5	433	RH Rear Template Door IN		130		P210 @ 13	16 ga. Black	14-16
6	434	RH Rear Template Door OUT		130		P210 @ 11	16 ga. Black	14-16
7	435	RH Front Template Door IN		130		P210 @ 17	16 ga. Black	14-16
8	436	RH Front Template Door OUT		130		P210 @ 15	16 ga. Black	14-16
9	264	Left Front Articulated Door - Up		130		P218 @ 7	16 ga. Black	14-16
10	266	Left Front Articulated Door - Down		130		P218 @ 6	16 ga. Black	14-16
11	262	Left Rear Articulated Door - Up		130		P218 @ 5	16 ga. Black	14-16
12	260	Left Rear Articulated Door - Down		130		P218 @ 4	16 ga. Black	14-16
13	300	Right Rear Articulated Door - Up		130		P218 @ 1	16 ga. Black	14-16
14	302	Right Rear Articulated Door - Down		130		P218 @ 8	16 ga. Black	14-16
15	292	Right Front Articulated Door - Up		130		P218 @ 3	16 ga. Black	14-16
16	290	Right Front Articulated Door - Down		130		P218 @ 2	16 ga. Black	14-16
17	301	R.H. Front Temp/Articulated Door - Out		130		P370 @ 10	16 ga. Black	14-16
18	299	R.H. Front Temp/Articulated Door - In		130		P370 @ 9	16 ga. Black	14-16
19	297	R.H. Rear Temp/Articulated Door - Out		130		P370 @ 8	16 ga. Black	14-16
20	295	R.H. Rear Temp/Articulated Door - In		130		P370 @ 7	16 ga. Black	14-16
21	267	L.H. Rear Temp/Articulated Door - Out		130		P370 @ 4	16 ga. Black	14-16
22	269	L.H. Rear Temp/Articulated Door - In		130		P370 @ 3	16 ga. Black	14-16
23	271	L.H. Front Temp/Articulated Door - Out		130		P370 @ 2	16 ga. Black	14-16
24	273	L.H. Front Temp/Articulated Door - In		130		P370 @ 1	16 ga. Black	14-16
25	288	RH Front & Rear Hand Cont. (trigger) to CR55		130	SPLICE	P370 @ 14 P350 @ 62	16 ga. Black 16 ga. Black	14-16 14-16
26	258	LH Hand Controller trigger to CR53		130	SPLICE	P370 @ 13 P350 @ 61	16 ga. Black 16 ga. Black	14-16 14-16
27	-	-		-			-	
28	51	Brake Lights		130		P366 @ 2	16 ga. Black	14-16
29	369	AC Fan Power		130		P366 @ 22	16 ga. Black	14-16
30	27	Power +24VDC CB63		130		P366 @ 27	16 ga. Red	14-16
31	28	Power +24VDC CB64		130		P366 @ 38	16 ga. Red	14-16
32	-	-		-			-	
33	-	-		-			-	
34	-	-		-			-	
35	-	-		-			-	
36	-	-		-			-	
37	-	-		-			-	
38	-	-		-			-	
39	-	-		-			-	
40	-	-		-			-	
P395 Cummins Diagnostics Connector								
1	2	Ground		NONE	SPLICE	P72 @ 31 P164 @ 6 P350 @ 40	16 ga. Green 16 ga. Green 16 ga. Black	14-16 14-16 14-16
2	456	- Power to F14 (1A) Fuse		NONE		P350 @ 4	16 ga. Red	14-16
3	330	- CAN_H {J1939(+)}		NONE	SPLICE	P164 @ 2 P72 @ 38	18 ga. Yellow 18 ga. Yellow	18-20 18-20
4	331	- CAN_L {J1939(-)}		NONE	SPLICE	P164 @ 3 P72 @ 39	18 ga. Green 18 ga. Green	18-20 18-20
5	332	- CAN_SHLD [J1939(shield)]		NONE	SPLICE	P164 @ 4 P72 @ 40	18 ga. Gray 18 ga. Gray	18-20 18-20
6	340	- J1708 Data (+)		NONE		P72 @ 36	18 ga. Black	18-20
7	341	- J1708 Data (-)		NONE		P72 @ 37	18 ga. Black	18-20
8	-	-		NONE			-	



SEE NOTE 2 ON SHEET 2

SEE NOTE 2 ON SHEET 2

SEE NOTE 2 ON SHEET 2

SEE NOTE 2 ON SHEET 2

S/N800500 & UP

CUSTOMARY: ALL DIMENSIONS IN INCHES				THIRD ANGLE PROJECTION	
IMPLIED TOLERANCES		PRODUCT: M7			
FRACTION ± 1/8		DESCRIPTION: HARNESS, CAB LIGHTING & MISC.			
X ± .06		SIZE		SCALE	
XX ± .03		DRAWING CODE NUMBER		REV.	
.XXX ± .010		D NTS		42350154 B	
MACHINE FINISH UNLESS OTHERWISE STATED		ASSEMBLY:		SHEET 1 OF 2	
PLANE ANGLES ± .1°					

⚠ RHLH SWITCHED WHERE INDICATED. P377 WAS 3.4" LG. ⚠ NEW ISSUE	BJB 1-29-10 DLS-MKS 24-Sept-09	600185 SCR 01/25/10 SW 01/26/10	600185 600134
DATE:	DATE:	DATE:	E.C.O.#

SUPERSEDES DRAWINGS 520223 & 22311196

P300 WIRE CONNECTION LIST

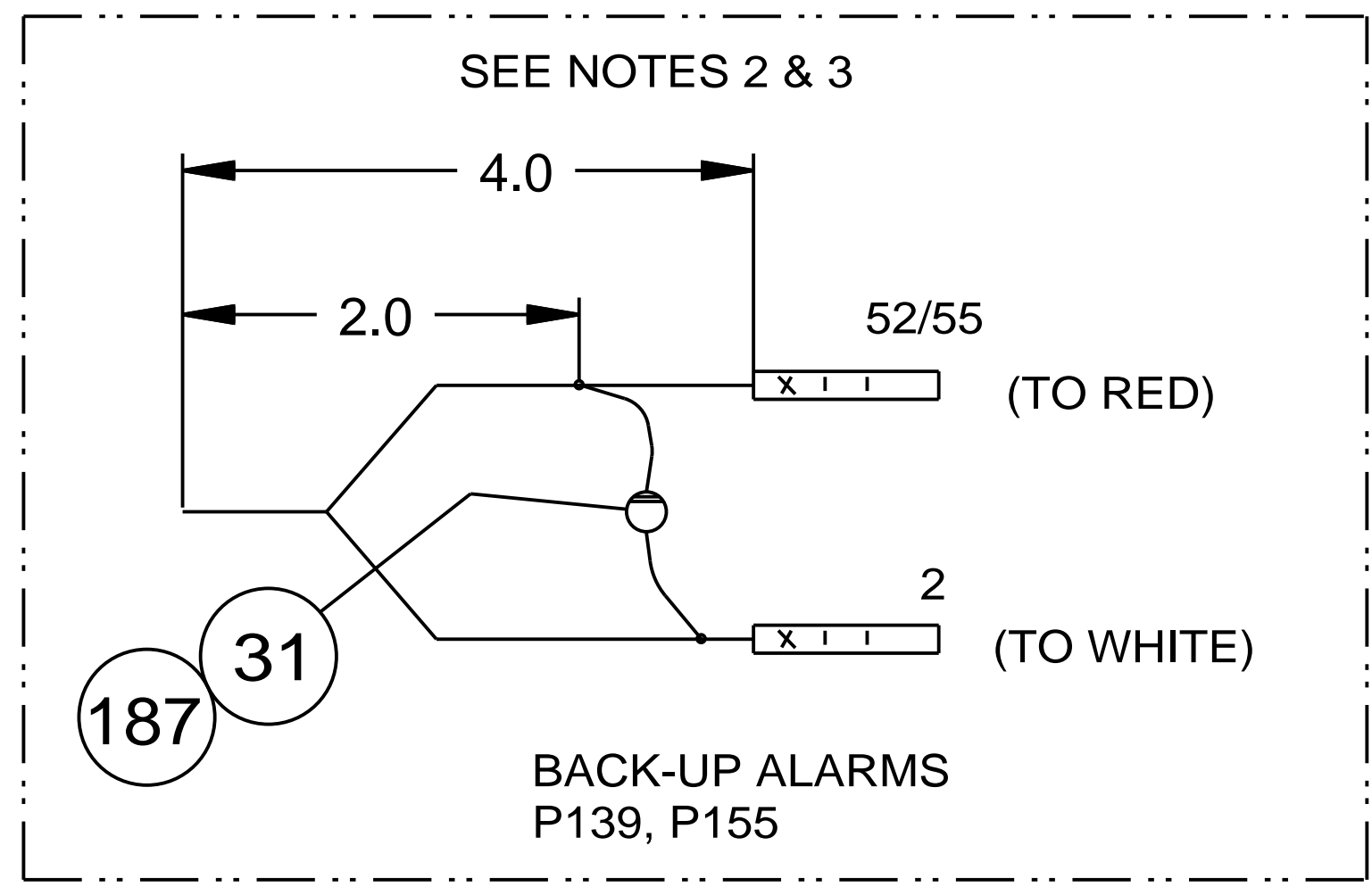
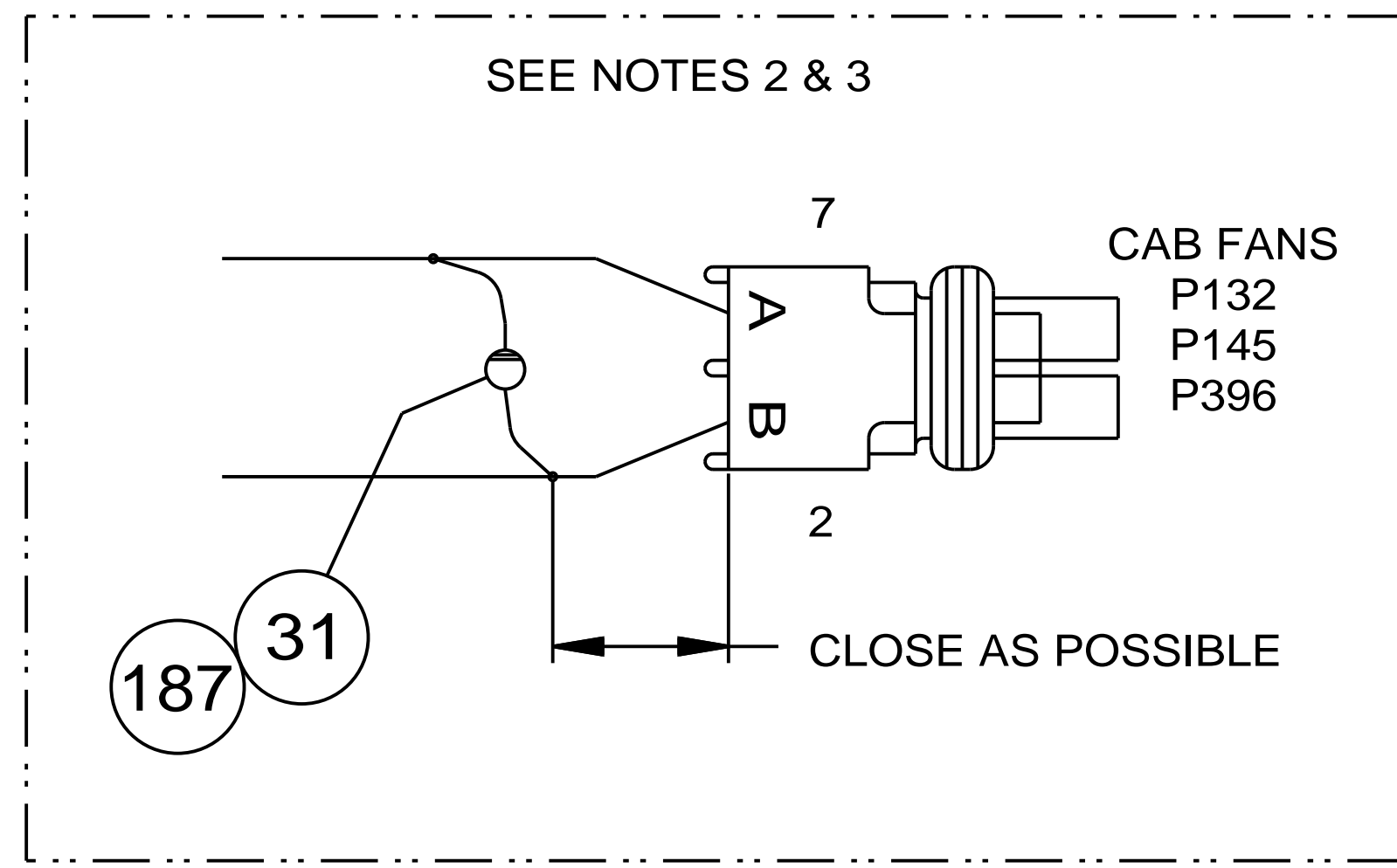
P300 CONNECTOR PIN	WIRING INFORMATION			
	COLOR	GAUGE	No.	FUNCTION/ROUTING
1	RED	14	7	BEACON, FAN, DOME LT. POWER (CB31) P132@A, P149@A, P152@A, P158@A P396@A, P403@A, P404@A
2	GREEN	14	2	BEACON, FAN, DOME LT. GROUND P132@B, P149@B, P152@B, P158@B P396@B, P403@B, P404@B
3	BLACK	14	55	TRAVEL / BACK-UP ALARM FRONT P139-55
4	GREEN	14	2	BACK-UP ALARM GROUND P139-2, P155-2
5	BLACK	14	53	REAR TRAVEL / FRONT MARKER LIGHTS P135@A, P140@A, P148@A, P154@A
6	BLACK	14	54	FRONT TRAVEL / REAR MARKER LIGHTS P136@A, P138@A, P146@B, P156@B
7	GREEN	14	2	TRAVEL / BRAKE LIGHT GROUND P136@B, P138@B, P148@B, P154@B P135@B, P140@B, P146@B, P156@B
8	BLACK	16	60	WORK LIGHTS, RH P141@A, P142@A
9	BLACK	16	48	WORK LIGHTS, LH P133@A, P134@A
10	BLACK	16	153	WORK LIGHT, REAR P150@A
11	BLACK	14	107	LOCO LIGHT FRONT RIGHT POWER P137-107
12	BLACK	14	108	LOCO LIGHT REAR RIGHT POWER P151-108
13	BLACK	14	375	LOCO LIGHT FRONT LEFT POWER P137-375
14	BLACK	14	376	LOCO LIGHT REAR LEFT POWER P151-376
15	BLACK	14	373	LOCO LIGHT FRONT/REAR RIGHT GROUND P137-373, P151-373
16	GREEN	14	2	LOCO LIGHT FRONT/REAR LEFT GROUND P137-2, P151-2
17	BLACK	16	130	PERIMETER LIGHTING POWER P130@A, P144@A, P153@A
18	GREEN	16	2	PERIMETER LIGHTING GROUND P130@B, P144@B, P153@B
19	GREEN	14	2	WORK LIGHT GROUND P133@B, P134@B, P141@B, P142@B P150@B
20	BLACK	14	387	HORN POWER P305@A, P306@A
21	GREEN	14	2	HORN GROUND P305@B, P306@B
22	BLACK	14	369	A/C FAN POWER P377@A
23	GREEN	14	2	A/C FAN GROUND P377@B
24	BLACK	16	377	A/C POWER ON P378@A
25	BLACK	16	196	A/C COMPRESSOR P378@B
26	BLACK	16	370	PRESSURIZER POWER P379@A
27	GREEN	16	2	PRESSURIZER GROUND P379@B
28	RED	16	51	BRAKE LIGHTS P135-3, P140-3, P146-3, P156-3
29	BLACK	14	52	TRAVEL / BACK-UP ALARM - REAR P155-52
30	BLACK	16	216	REAR WIPER - LOW P147-L
31	BLACK	16	217	REAR WIPER - PARK P147-P
32	BLACK	16	224	RIGHT SIDE WIPER - LOW P143-L
33	BLACK	16	225	RIGHT SIDE WIPER - PARK P143-P
34	BLACK	16	226	LEFT SIDE WIPER - LOW P131-L
35	BLACK	16	227	LEFT SIDE WIPER - PARK P131-P
36	↓ NOT USED			
40	↓ NOT USED			

BILL OF MATERIALS

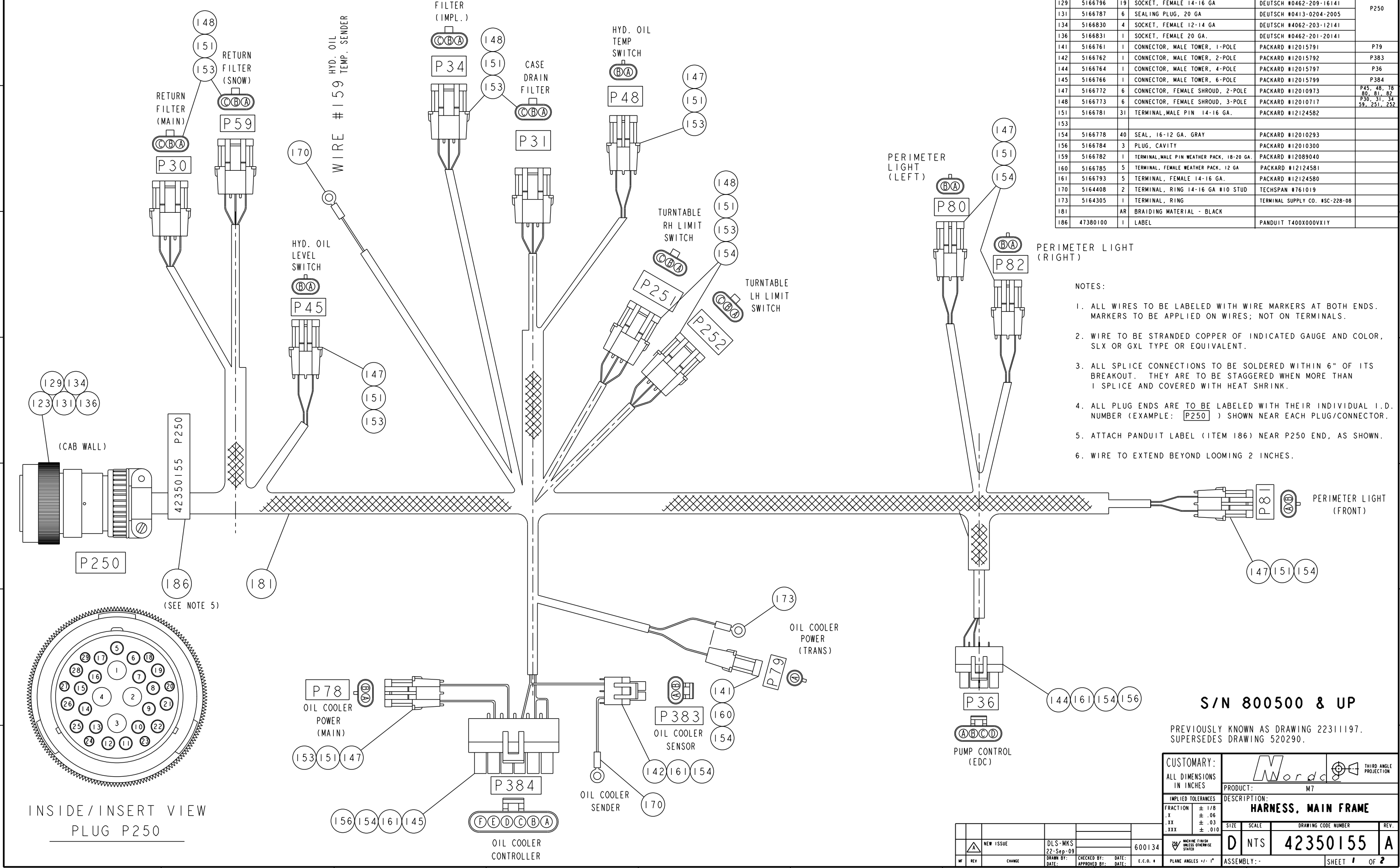
ITEM NO.	PART NUMBER OR MATERIAL	QTY. REQ.	PART DESCRIPTION	DESIGNATION
1	690119	8	GROMMET, RUBBER 5/8 ID 1-1/4 HOLE	
31	29680018	9	DIODE, #1N5624	
103	5166844	1	PLUG, 40-SOCKET DEUTSCH #DRC-16-40SA	P300
126	5166798	AR	SOCKET, 16 GA DEUTSCH #0462-201-16141	
142	5166762	8	CONNECTOR, MALE TOWER, 2-POLE PACKARD #12015792	
147	5166772	12	CONNECTOR, FEMALE SHROUD, 2-POLE PACKARD #12010973	
153	5166777	40	SEAL, 16 GA OR SMALLER PACKARD #12015284	
157	5166783	17	SOCKET, FEMALE 18-20 GA. PACKARD #12089188	
159	5166782	24	TERMINAL, MALE PIN WEATHER PACK, 18-20 GA. PACKARD #12089040	
170	5164408	8	TERMINAL, RING, #10 STUD 16/14 GA T.S.C. #B-539-10	
172	5166693	6	TERMINAL, FEMALE SPADE 14-16 GA TECHSPAN # 761355	P131,143,147
175	5166663	16	BUTT CONNECTOR, 14-16 GA.	
181		AR	BLACK BRAIDING MATERIAL	
182		AR	CORRUGATED LOOM, SLIT BLACK POLYETHELENE	
183	5102464	AR	TEFLON TUBING BLACK	
186	47380100	1	LABEL PANDUIT T400X000VXIY	
187		AR	HEAT SHRINK TUBING 1/4" POLYOLEFIN	
188	5166798	6	SOCKET, MALE DEUTSCH #0462-201-16141	
189	5166805	2	CONNECTOR, MALE DEUTSCH DT06-3S	
190	5112933	2	WEDGE, LOCKING PLUG DEUTSCH W3S	

NOTES:

- ALL WIRE TO BE STRANDED COPPER OF INDICATED GAUGE AND COLOR, SXL OR GXL TYPE OR EQUIVALENT.
- DIODE, ITEM 31, TO BE USED ONLY WHEN WIRE #2 IS PAIRED WITH WIRES 52 (P155 @E6), 55 (P139 @B3) & 7 (P135, P149, P152, P158, P396, P403, P404). SEE DRAWING EXAMPLES BELOW. THIS DIODE TO BE SOLDERED BETWEEN WIRE PAIRS AND COVERED WITH HEAT SHRINK TUBING, ITEM 187. ALL OTHER WIRES DO NOT REQUIRE DIODES.
- ALL NON-DIODE SPLICES TO BE IN MAIN HARNESS BODY. DO NOT SPLICE ANY WIRES 52 AND 55 AND THEIR RESPECTIVE GROUND WIRES 2, EXCEPT TO DIODES. SEE DRAWING EXAMPLES FOR DIODE LOCATIONS.
- ALL BREAKOUTS TO BE PROTECTED WITH TEFLON TUBING, ITEM #183, WHERE SHOWN.
- SEE WIRE CONNECTION TABLES FOR SPECIFIC WIRE SIZING AND ROUTING.
- DESIGNATIONS OF "A" OR "B" AT WIRE NUMBERS INDICATE POSITION IN PACKARD CONNECTOR.
- ALL SPLICES TO BE SOLDERED AND COVERED WITH HEAT SHRINK SLEEVING, ITEM 187.
- NO MORE THAN 1 WIRE ALLOWED PER CRIMPED TERMINAL.
- ALL WIRES TO BE IDENTIFIED WITH WIRE MARKERS AT BOTH ENDS. APPLY MARKERS TO WIRE; NOT ON TERMINALS.



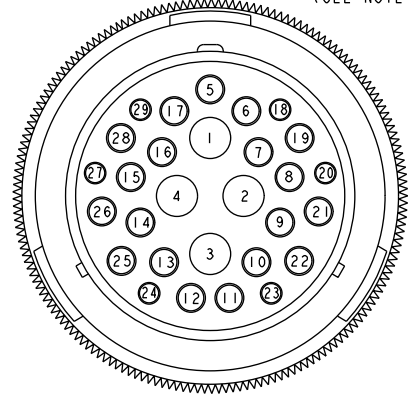
CUSTOMARY: ALL DIMENSIONS IN INCHES IMPLIED TOLERANCES FRACTION ± 1/8 .X ± .06 .XX ± .03 .XXX ± .010		PRODUCT: M7 DESCRIPTION: HARNESS, CAB LIGHTING & MISC.	
NO CHANGE THIS SHEET BJB 1-29-10 600185		NEW ISSUE DLS-MKS 10-Oct-06 SCR 1-25-10 SW 01-26-10 600134	
SIZE SCALE DRAWING CODE NUMBER REV.		D NTS 42350154 B	
SHEET 2 OF 2		ASSEMBLY:	



ITEM NO.	PART NUMBER OR MATERIAL	QTY. REQ.	PART DESCRIPTION	MFG P/N	DESIGNATION
123	5120796	1	PLUG, 29-PORT	DEUTSCH #HD46-24-29-SN-059	P250
129	5166796	19	SOCKET, FEMALE 14-16 GA	DEUTSCH #0462-209-16141	
131	5166787	6	SEALING PLUG, 20 GA	DEUTSCH #0413-0204-2005	
134	5166830	4	SOCKET, FEMALE 12-14 GA	DEUTSCH #4062-203-12141	
136	5166831	1	SOCKET, FEMALE 20 GA.	DEUTSCH #0462-201-20141	
141	5166761	1	CONNECTOR, MALE TOWER, 1-POLE	PACKARD #12015791	
142	5166762	1	CONNECTOR, MALE TOWER, 2-POLE	PACKARD #12015792	P383
144	5166764	1	CONNECTOR, MALE TOWER, 4-POLE	PACKARD #12015797	P36
145	5166766	1	CONNECTOR, MALE TOWER, 6-POLE	PACKARD #12015799	P384
147	5166772	6	CONNECTOR, FEMALE SHROUD, 2-POLE	PACKARD #12010973	P45, 48, 78, 80, 91, 82
148	5166773	6	CONNECTOR, FEMALE SHROUD, 3-POLE	PACKARD #12010717	P30, 31, 34, 59, 251, 252
151	5166781	31	TERMINAL, MALE PIN 14-16 GA.	PACKARD #12124582	
153					
154	5166778	40	SEAL, 16-12 GA. GRAY	PACKARD #12010293	
156	5166784	3	PLUG, CAVITY	PACKARD #12010300	
159	5166782	1	TERMINAL, MALE PIN WEATHER PACK, 18-20 GA.	PACKARD #12089040	
160	5166785	5	TERMINAL, FEMALE WEATHER PACK, 12 GA	PACKARD #12124581	
161	5166793	5	TERMINAL, FEMALE 14-16 GA.	PACKARD #12124580	
170	5164408	2	TERMINAL, RING 14-16 GA #10 STUD	TECHSPAN #761019	
173	5164305	1	TERMINAL, RING	TERMINAL SUPPLY CO. #SC-228-08	
181	AR		BRAIDING MATERIAL - BLACK		
186	47380100	1	LABEL	PANDUIT T400X000VX1Y	

NOTES:

1. ALL WIRES TO BE LABELED WITH WIRE MARKERS AT BOTH ENDS. MARKERS TO BE APPLIED ON WIRES; NOT ON TERMINALS.
2. WIRE TO BE STRANDED COPPER OF INDICATED GAUGE AND COLOR, SLX OR GXL TYPE OR EQUIVALENT.
3. ALL SPLICE CONNECTIONS TO BE SOLDERED WITHIN 6" OF ITS BREAKOUT. THEY ARE TO BE STAGGERED WHEN MORE THAN 1 SPLICE AND COVERED WITH HEAT SHRINK.
4. ALL PLUG ENDS ARE TO BE LABELED WITH THEIR INDIVIDUAL I.D. NUMBER (EXAMPLE: P250) SHOWN NEAR EACH PLUG/CONNECTOR.
5. ATTACH PANDUIT LABEL (ITEM 186) NEAR P250 END, AS SHOWN.
6. WIRE TO EXTEND BEYOND LOOMING 2 INCHES.



INSIDE/INSERT VIEW PLUG P250

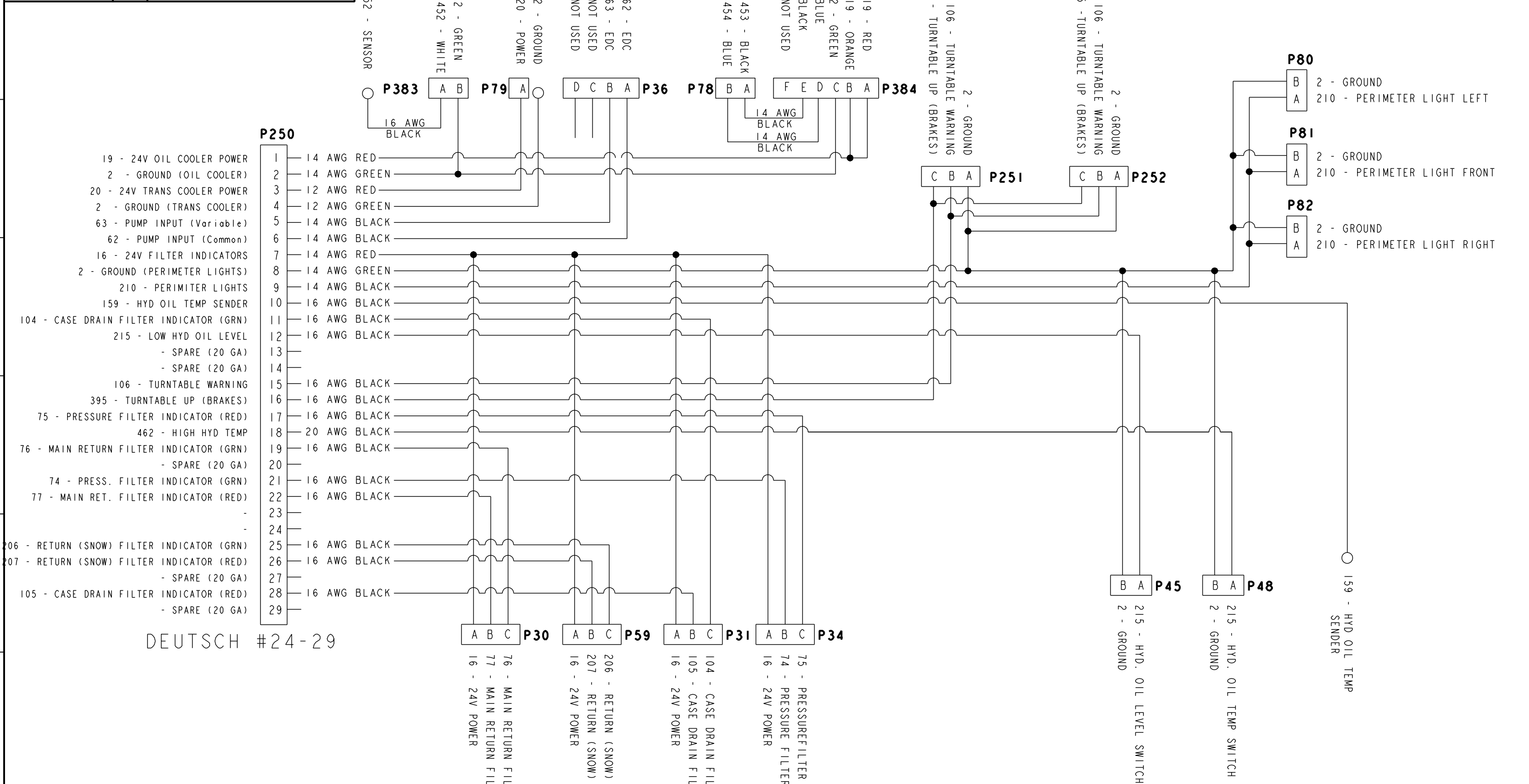
S/N 800500 & UP

PREVIOUSLY KNOWN AS DRAWING 22311197. SUPERSEDES DRAWING 520290.

CUSTOMARY: ALL DIMENSIONS IN INCHES		PRODUCT: M7	
IMPLIED TOLERANCES		DESCRIPTION: HARNESS, MAIN FRAME	
FRACTION	± 1/8	SIZE	SCALE
.X	± .06	D	NTS
.XX	± .03	DRAWING CODE NUMBER	
.XXX	± .010	42350155	
MACHINE FINISH UNLESS OTHERWISE STATED		REV. A	
PLANE ANGLES ± 1°		ASSEMBLY: -	

NEW ISSUE	DLS-MKS	600134
DATE: 22-Sep-09	CHECKED BY: DATE:	E.C.O. #

7
6
5
4
3
2
1

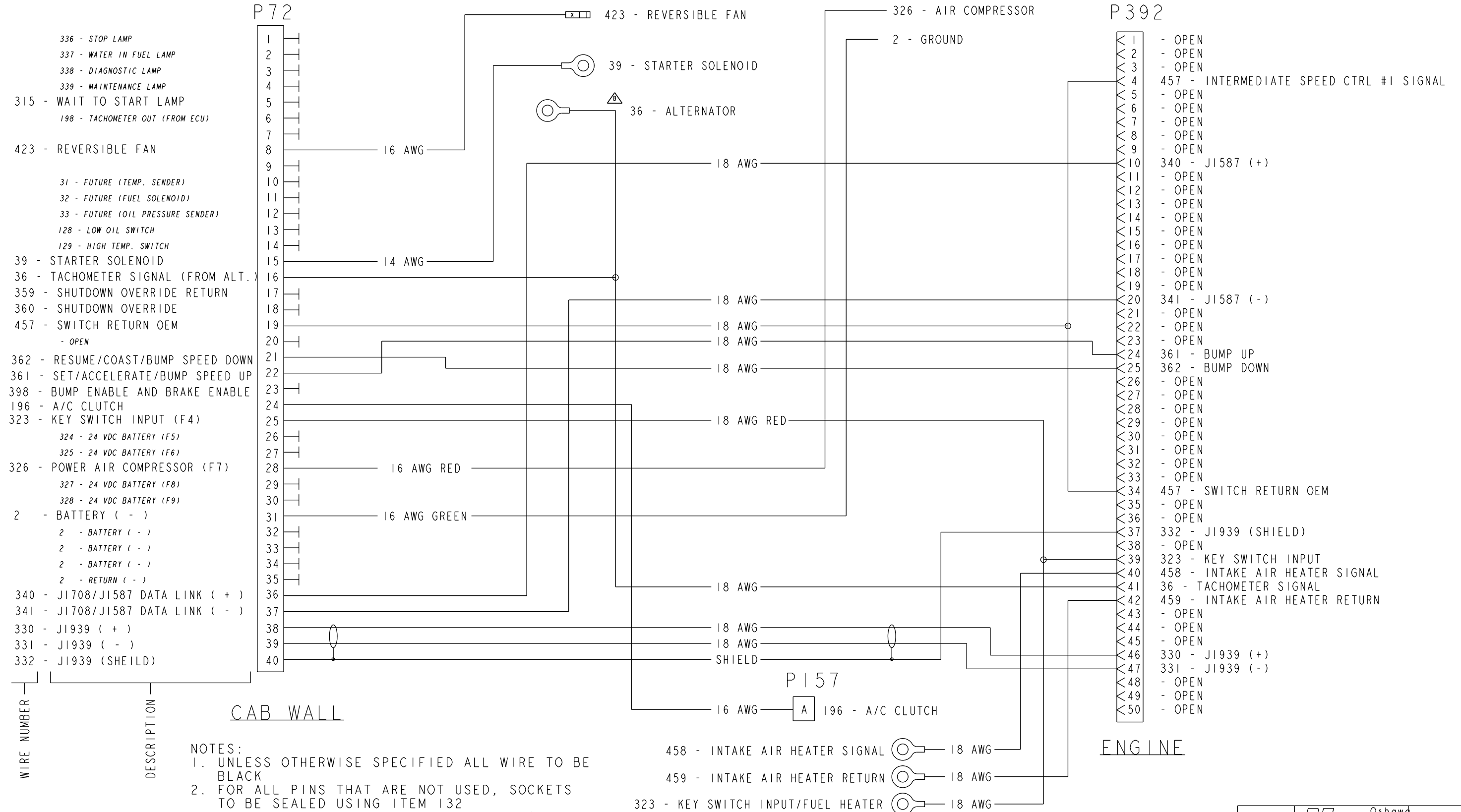


DEUTSCH #24-29

S/N 800500 & UP

CUSTOMARY: ALL DIMENSIONS IN INCHES		NORDCO THIRD ANGLE PROJECTION	
IMPLIED TOLERANCES		PRODUCT: M7	
DESCRIPTION: HARNISS, MAIN FRAME		SIZE	SCALE
FRACTION	± 1/8	DRAWING CODE NUMBER	
.X	± .06	REV.	
.XX	± .03	D NTS	
.XXX	± .010	600134	
DRAWING CODE NUMBER		600134	
REV.		A	
ASSEMBLY: -		SHEET 2 OF 2	

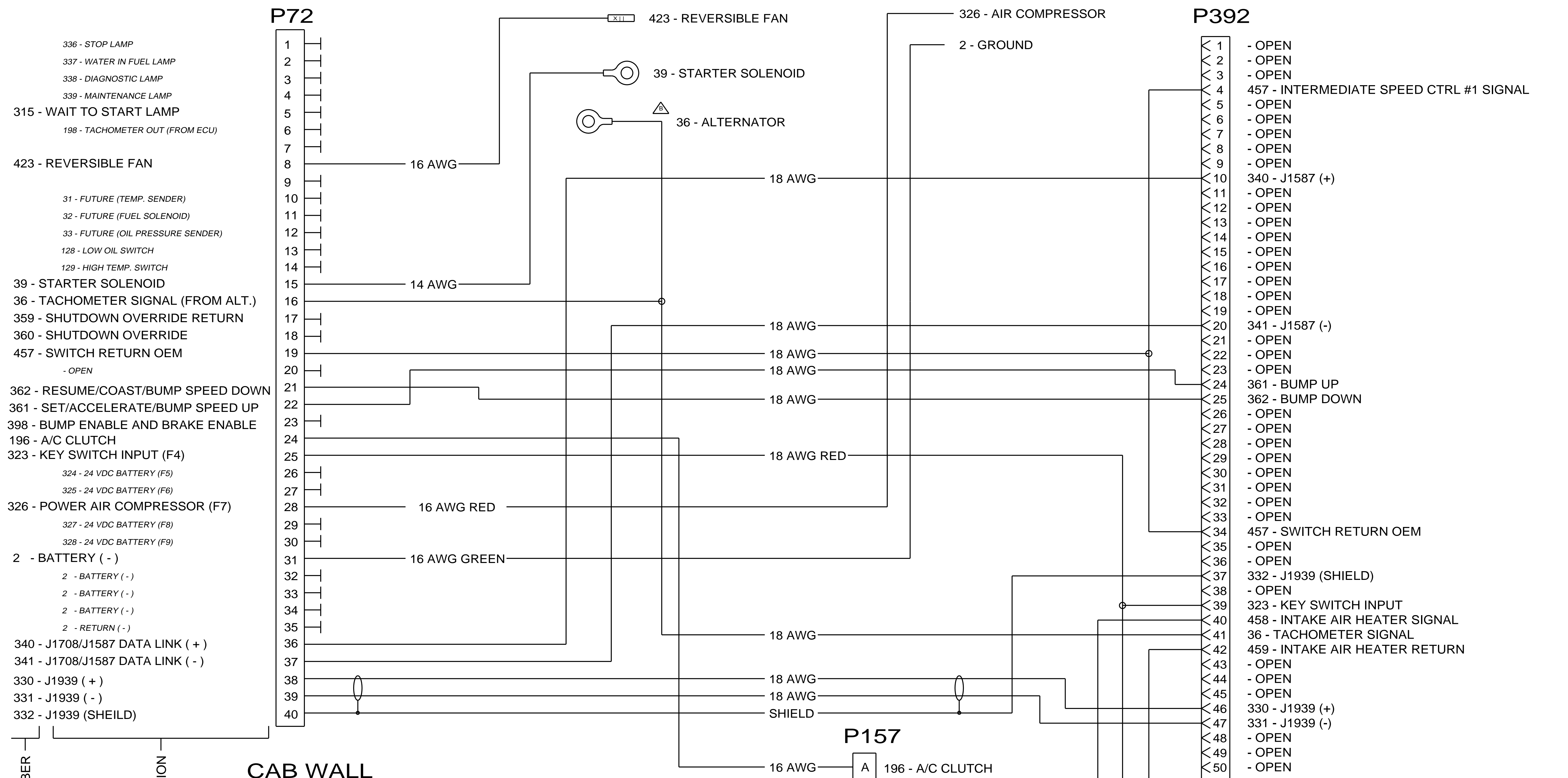
NEW ISSUE	DLS-MKS 22-Sep-09	600134
DATE:	DATE:	E.C.O. #
CHANGE	APPROVED BY:	PLANE ANGLES ± 1°



NOTES:
 1. UNLESS OTHERWISE SPECIFIED ALL WIRE TO BE BLACK
 2. FOR ALL PINS THAT ARE NOT USED, SOCKETS TO BE SEALED USING ITEM 132
 3. ALL INTERNAL HARNESS SPLICES ARE TO BE SOLDERED AND COVERED WITH HEAT SHRINK

458 - INTAKE AIR HEATER SIGNAL 18 AWG
 459 - INTAKE AIR HEATER RETURN 18 AWG
 323 - KEY SWITCH INPUT/FUEL HEATER 18 AWG

NO CHANGE THIS SHEET	LCP 8/31/11	600472	IMPLIED TOLERANCES	CUSTOMARY: ALL DIMENSIONS IN INCHES		
ADDED ALTERNATOR BREAKOUT WIRE #36.	MKS 18-MAR-11	SCR 3/18/11	FRACTION : 1/8	PRODUCT: M7		
NO CHANGE THIS SHEET	MKS 18-NOV-09	SCR 12-04-09	.X : .06	DESCRIPTION: HARNESS CUMMINS ENGINE		
NEW ISSUE	CP 19-NOV-08	SCR 01-26-10	.XX : .03	SIZE	SCALE	DRAWING CODE NUMBER
REV	CHANGE	DRAWN BY: DATE:	.XXX : .010	D	NTS	520311
		CHECKED BY: DATE:	250/ MACHINE FINISH UNLESS OTHERWISE STATED	ASSEMBLY: -		SHEET 2/2



WIRE NUMBER	DESCRIPTION
336	STOP LAMP
337	WATER IN FUEL LAMP
338	DIAGNOSTIC LAMP
339	MAINTENANCE LAMP
315	WAIT TO START LAMP
198	TACHOMETER OUT (FROM ECU)
423	REVERSIBLE FAN
31	FUTURE (TEMP. SENDER)
32	FUTURE (FUEL SOLENOID)
33	FUTURE (OIL PRESSURE SENDER)
128	LOW OIL SWITCH
129	HIGH TEMP. SWITCH
39	STARTER SOLENOID
36	TACHOMETER SIGNAL (FROM ALT.)
359	SHUTDOWN OVERRIDE RETURN
360	SHUTDOWN OVERRIDE
457	SWITCH RETURN OEM
	- OPEN
362	RESUME/COAST/BUMP SPEED DOWN
361	SET/ACCELERATE/BUMP SPEED UP
398	BUMP ENABLE AND BRAKE ENABLE
196	A/C CLUTCH
323	KEY SWITCH INPUT (F4)
324	24 VDC BATTERY (F5)
325	24 VDC BATTERY (F6)
326	POWER AIR COMPRESSOR (F7)
327	24 VDC BATTERY (F8)
328	24 VDC BATTERY (F9)
2	BATTERY (-)
	- BATTERY (-)
	- BATTERY (-)
	- BATTERY (-)
	- RETURN (-)
340	J1708/J1587 DATA LINK (+)
341	J1708/J1587 DATA LINK (-)
330	J1939 (+)
331	J1939 (-)
332	J1939 (SHEILD)

NOTES:
 1. UNLESS OTHERWISE SPECIFIED ALL WIRE TO BE BLACK
 2. FOR ALL PINS THAT ARE NOT USED, SOCKETS TO BE SEALED USING ITEM 132
 3. ALL INTERNAL HARNESS SPLICES ARE TO BE SOLDERED AND COVERED WITH HEAT SHRINK

458 - INTAKE AIR HEATER SIGNAL 18 AWG
 459 - INTAKE AIR HEATER RETURN 18 AWG
 323 - KEY SWITCH INPUT/FUEL HEATER 18 AWG

CUSTOMARY: ALL DIMENSIONS IN INCHES		Oshawa Nordco		THIRD ANGLE PROJECTION	
IMPLIED TOLERANCES		PRODUCT: M7			
FRACTION: .X : .06 .XX : .03 .XXX : .010		DESCRIPTION: HARNESS CUMMINS ENGINE			
SIZE: D	SCALE: NTS	DRAWING CODE NUMBER: 520311		REV: B	
250 MACHINE FINISH UNLESS OTHERWISE STATED		E.C.O.#: 80050		ASSEMBLY: -	
PLANE ANGLES +/- 1°		DATE: 18-MAR-11		SHEET 2/2	

ADDED ALTERNATOR BREAKOUT WIRE #36.	MKS 18-MAR-11	600366
NO CHANGE THIS SHEET	MKS 18-NOV-09	600134
NEW ISSUE	CP 19-NOV-08	80050
REV	CHANGE	DATE

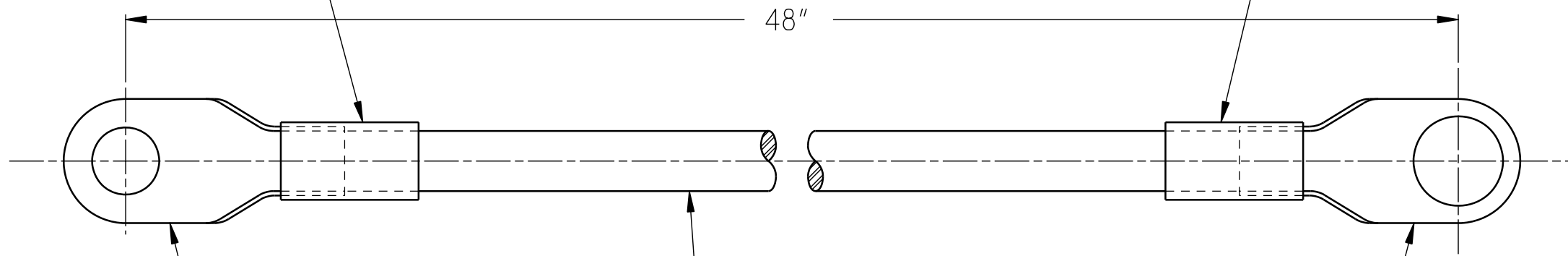
NO. 87168775

SHEET NO.
1/1

ALL INFORMATION CONTAINED ON THIS DRAWING IS CONSIDERED TO BE BOTH CONFIDENTIAL AND PROPRIETARY BY NORDCO INC. NO USE OR REPRODUCTION THEREOF MAY BE MADE WITHOUT THE EXPRESS WRITTEN CONSENT OF NORDCO INC.

APPLY SHRINK SLEEVING AT CONNECTOR JOINT

APPLY SHRINK SLEEVING AT CONNECTOR JOINT


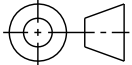


3/8" STUD LUG TERMINAL

STARTER CABLE
4 AWG. RED

1/2" STUD LUG TERMINAL

NOTE: LABEL EACH CABLE WITH ITS CORRESPONDING NORDCO "DRAWING CODE (PART) NUMBER"

CUSTOMARY: ALL DIMENSIONS IN INCHES			 THIRD ANGLE PROJECTION
	PRODUCT: M7		
IMPLIED TOLERANCES	DESCRIPTION:		
FRACTION ± 1/8	POWER CABLE TO E-PUMP		
.X ± .06	SIZE	SCALE	DRAWING CODE NUMBER
.XX ± .03	B	NTS	87168775
.XXX ± .010			
250/ MACHINE FINISH UNLESS OTHERWISE STATED	ASSEMBLY: 460325		SHEET 1/1
PLANE ANGLES +/- 1°			

△	NEW ISSUE	MKS		600134
		10/12/09		
REV	CHANGE	DRAWN BY: DATE:	CHECKED BY: APPROVED BY:	DATE: DATE:

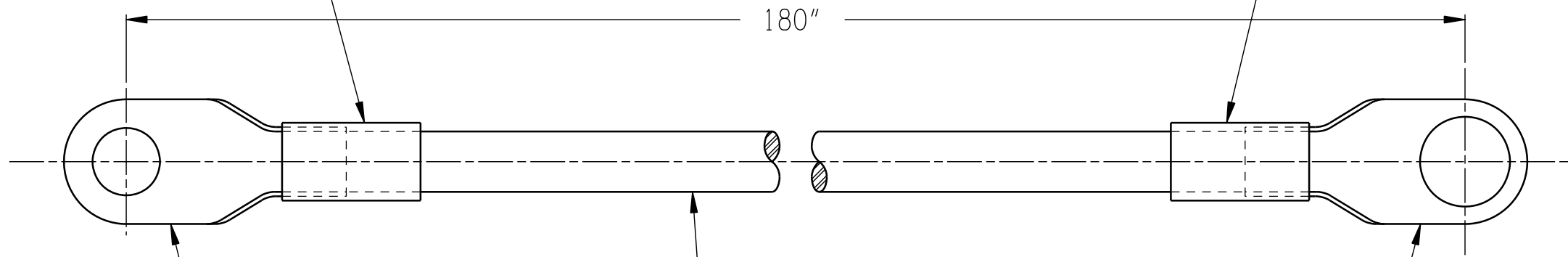
NO. 87168785

SHEET NO.
1/1

ALL INFORMATION CONTAINED ON THIS DRAWING IS CONSIDERED TO BE BOTH CONFIDENTIAL AND PROPRIETARY BY NORDCO INC. NO USE OR REPRODUCTION THEREOF MAY BE MADE WITHOUT THE EXPRESS WRITTEN CONSENT OF NORDCO INC.

APPLY SHRINK SLEEVING AT CONNECTOR JOINT

APPLY SHRINK SLEEVING AT CONNECTOR JOINT


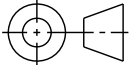


3/8" STUD LUG TERMINAL

STARTER CABLE
4 AWG. RED

1/2" STUD LUG TERMINAL

NOTE: LABEL EACH CABLE WITH ITS CORRESPONDING NORDCO "DRAWING CODE (PART) NUMBER"

CUSTOMARY: ALL DIMENSIONS IN INCHES			 THIRD ANGLE PROJECTION
	PRODUCT: M7		
IMPLIED TOLERANCES	DESCRIPTION:		
FRACTION ± 1/8	POWER CABLE TO CAB		
.X ± .06	SIZE	SCALE	DRAWING CODE NUMBER
.XX ± .03	B	NTS	87168785
.XXX ± .010	ASSEMBLY: 460325		REV. -
250/ MACHINE FINISH UNLESS OTHERWISE STATED	SHEET 1/1		
PLANE ANGLES +/- 1°			

△	NEW ISSUE	MKS		600134
		10/12/09		
REV	CHANGE	DRAWN BY: DATE:	CHECKED BY: APPROVED BY:	DATE: DATE: