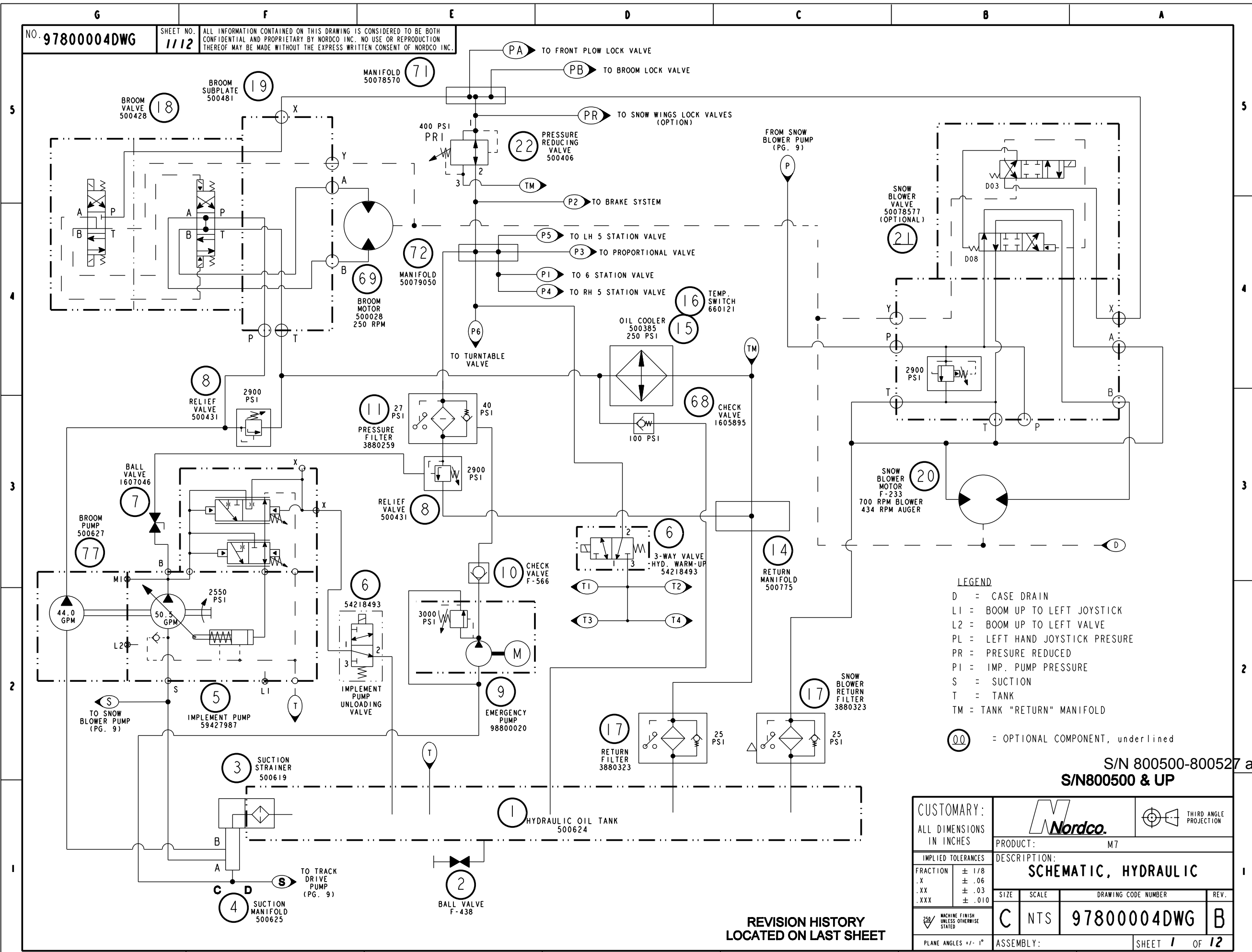


NO. 97800004DWG

SHEET NO. 1112

ALL INFORMATION CONTAINED ON THIS DRAWING IS CONSIDERED TO BE BOTH CONFIDENTIAL AND PROPRIETARY BY NORDCO INC. NO USE OR REPRODUCTION THEREOF MAY BE MADE WITHOUT THE EXPRESS WRITTEN CONSENT OF NORDCO INC.



LEGEND
 D = CASE DRAIN
 L1 = BOOM UP TO LEFT JOYSTICK
 L2 = BOOM UP TO LEFT VALVE
 PL = LEFT HAND JOYSTICK PRESURE
 PR = PRESURE REDUCED
 PI = IMP. PUMP PRESSURE
 S = SUCTION
 T = TANK
 TM = TANK "RETURN" MANIFOLD

00 = OPTIONAL COMPONENT, underlined

S/N 800500-800527 and 800531
 S/N800500 & UP

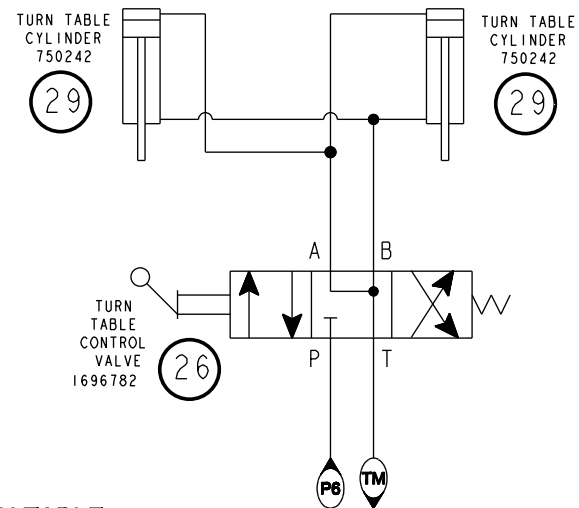
REVISION HISTORY
 LOCATED ON LAST SHEET

CUSTOMARY: ALL DIMENSIONS IN INCHES				THIRD ANGLE PROJECTION	
IMPLIED TOLERANCES		PRODUCT: M7			
FRACTION ± 1/8 .X ± .06 .XX ± .03 .XXX ± .010		DESCRIPTION: SCHEMATIC, HYDRAULIC			
SIZE	SCALE	DRAWING CODE NUMBER		REV.	
C	NTS	97800004DWG		B	
PLANE ANGLES +/- 1°		ASSEMBLY:		SHEET 1 OF 12	

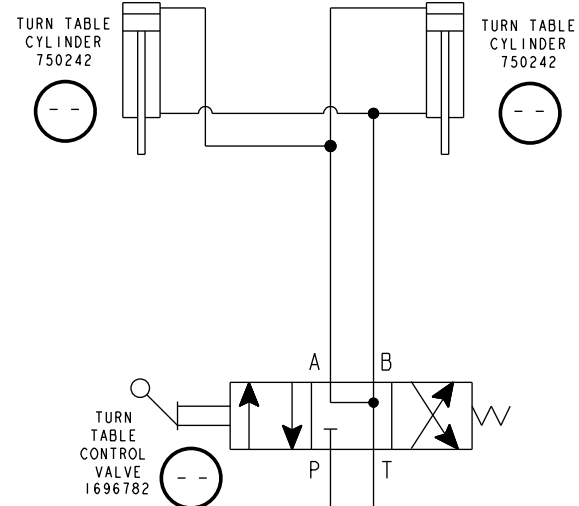
NO. 97800004DWG

SHEET NO. 2112

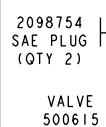
ALL INFORMATION CONTAINED ON THIS DRAWING IS CONSIDERED TO BE BOTH CONFIDENTIAL AND PROPRIETARY BY NORDCO INC. NO USE OR REPRODUCTION THEREOF MAY BE MADE WITHOUT THE EXPRESS WRITTEN CONSENT OF NORDCO INC.



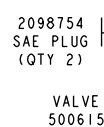
TURN TABLE



TURN TABLE SAFETY INTERLOCK (OPTION 460421)



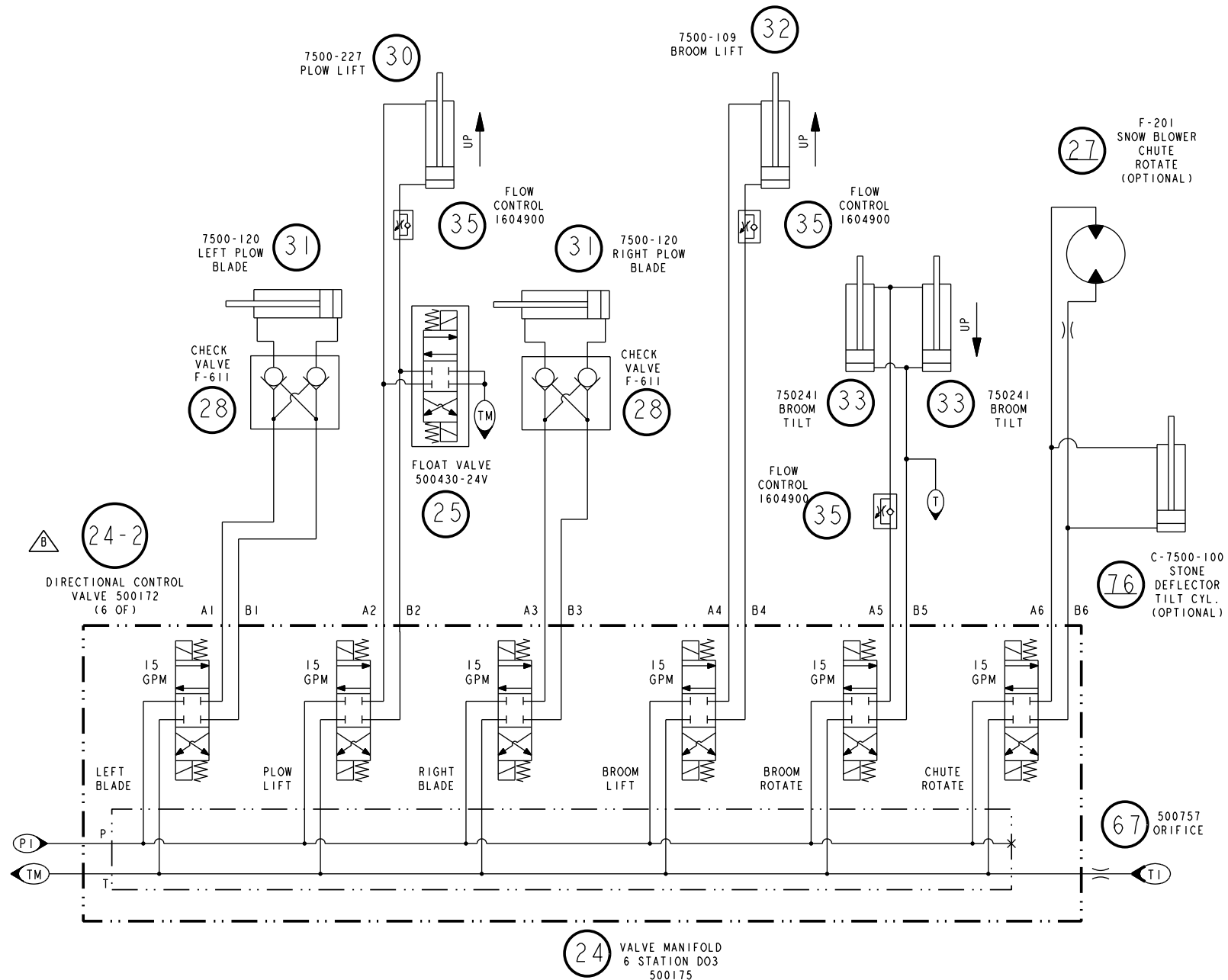
REAR TANK



FRONT PRESS

--- SAME COMPONENT USED FOR STD TURN TABLE (ABOVE)

⓪ OPTIONAL COMPONENTS UNDERLINED



S/N 800500-800527 and 800531

S/N800500 & UP

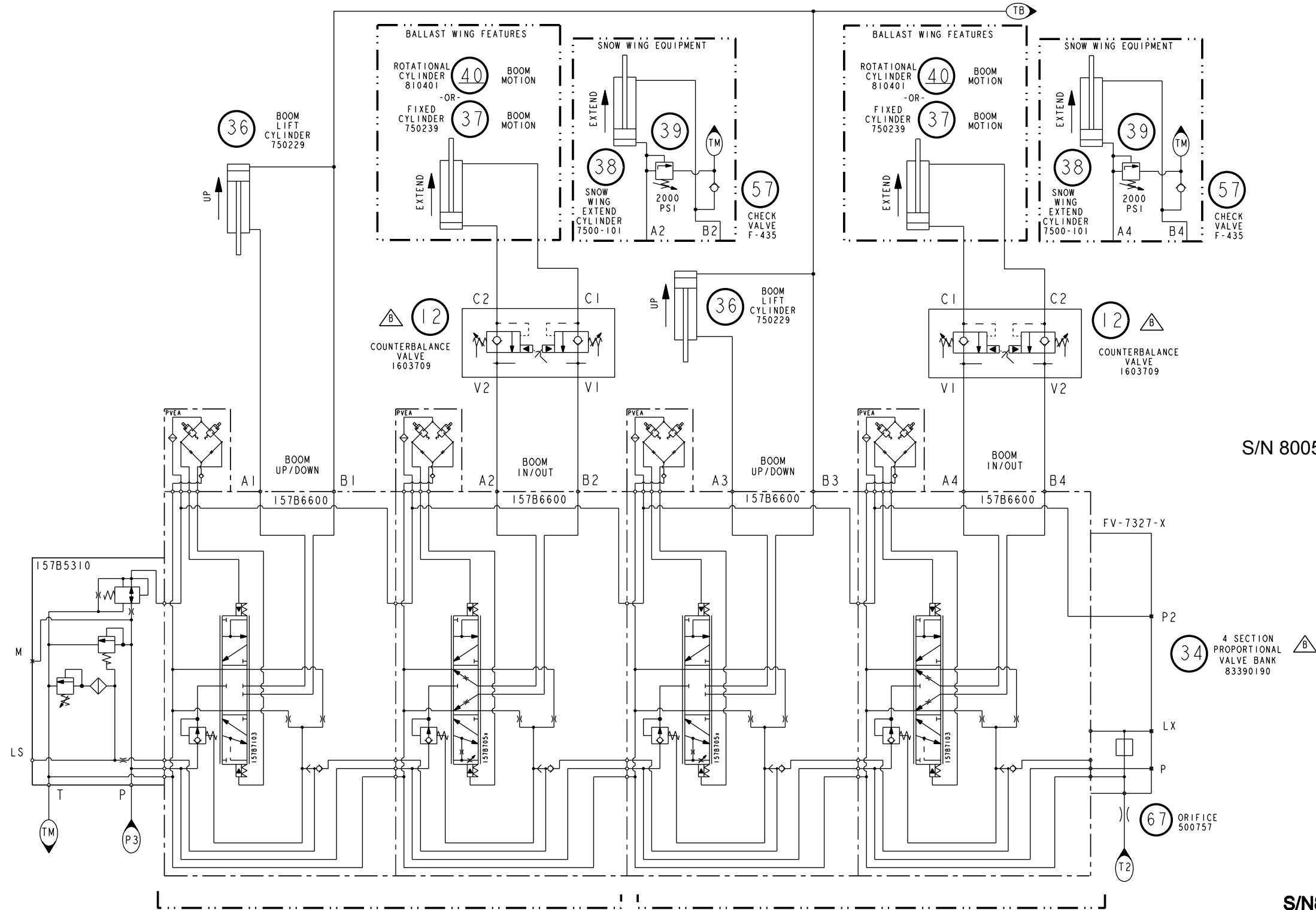
CUSTOMARY: ALL DIMENSIONS IN INCHES					
IMPLIED TOLERANCES		PRODUCT: M7			
FRACTION ± 1/8 .X ± .06 .XX ± .03 .XXX ± .010		DESCRIPTION: SCHEMATIC, HYDRAULIC			
SIZE	SCALE	DRAWING CODE NUMBER		REV.	
C	NTS	97800004DWG		B	
PLANE ANGLES +/- 1°		ASSEMBLY:		SHEET 2 OF 12	

REVISION HISTORY LOCATED ON LAST SHEET

NO. 97800004DWG

SHEET NO. 3/12

ALL INFORMATION CONTAINED ON THIS DRAWING IS CONSIDERED TO BE BOTH CONFIDENTIAL AND PROPRIETARY BY NORDCO INC. NO USE OR REPRODUCTION THEREOF MAY BE MADE WITHOUT THE EXPRESS WRITTEN CONSENT OF NORDCO INC.



S/N 800500-800527 and 800531

S/N800500 & UP

LEFT HAND WING

RIGHT HAND WING

FIXED OR ROTATIONAL BALLAST WING

OPTIONAL FEATURES UNDERLINED

REVISION HISTORY LOCATED ON LAST SHEET

CUSTOMARY: ALL DIMENSIONS IN INCHES				THIRD ANGLE PROJECTION	
IMPLIED TOLERANCES		PRODUCT: M7			
FRACTION ± 1/8 .X ± .06 .XX ± .03 .XXX ± .010		DESCRIPTION: SCHEMATIC, HYDRAULIC			
SIZE	SCALE	DRAWING CODE NUMBER		REV.	
C	NTS	97800004DWG		B	
PLANE ANGLES +/- 1°		ASSEMBLY:		SHEET 3 OF 12	

NO. 97800004DWG

SHEET NO. 4112

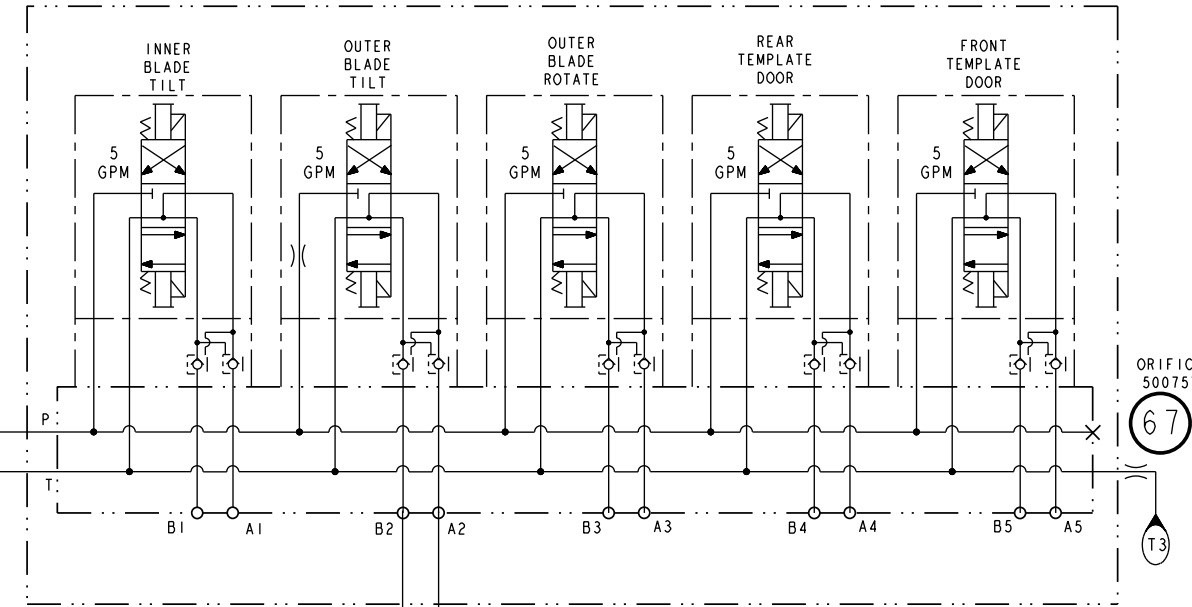
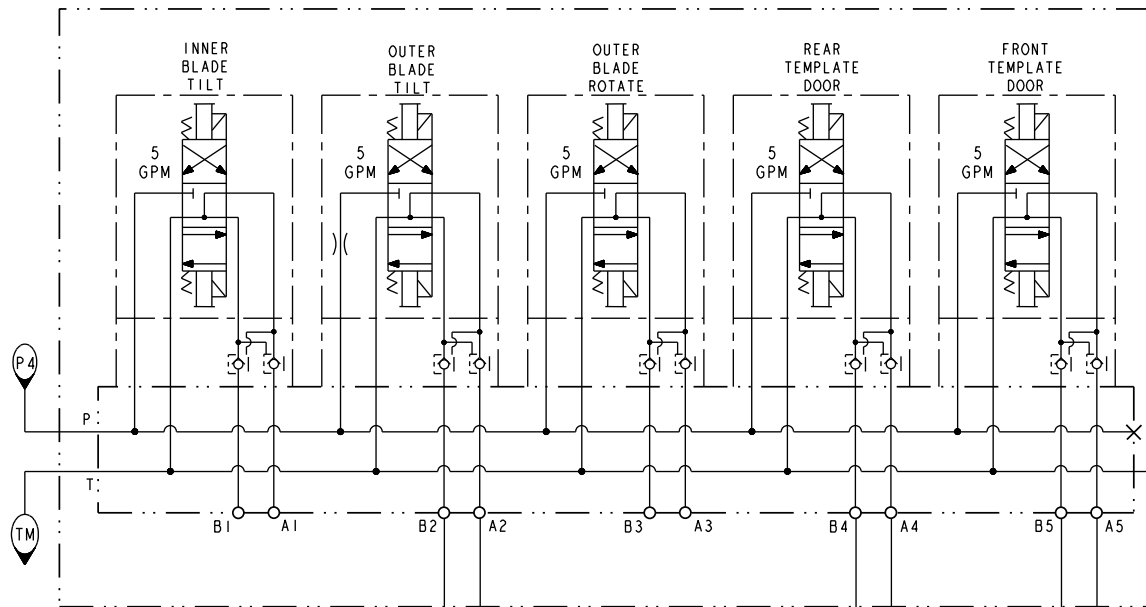
ALL INFORMATION CONTAINED ON THIS DRAWING IS CONSIDERED TO BE BOTH CONFIDENTIAL AND PROPRIETARY BY NORDCO INC. NO USE OR REPRODUCTION THEREOF MAY BE MADE WITHOUT THE EXPRESS WRITTEN CONSENT OF NORDCO INC.

BALLAST WINGS - FIXED RIGHT HAND 460297

SNOW WING EQUIPMENT
460375

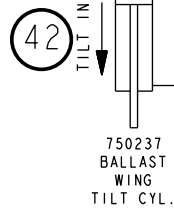
41-2 DIRECTIONAL CONTROL VALVE 500172 (5 OF)

41-2 DIRECTIONAL CONTROL VALVE 500172 (5 OF)

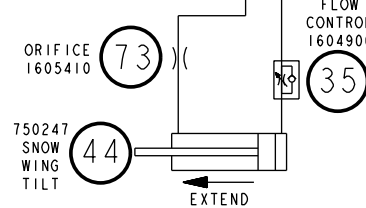


41 VALVE MANIFOLD 5 STATION D03 50070025

41-3 DUAL PILOT CHECK VALVE 1605990 (5 OF)



ORIFICE 1605410 (73)



41 VALVE MANIFOLD 5 STATION D03 50070025

41-3 DUAL PILOT CHECK VALVE 1605990 (5 OF)

S/N 800500-800527 and 800531

S/N800500 & UP

CUSTOMARY: ALL DIMENSIONS IN INCHES					
IMPLIED TOLERANCES		PRODUCT: M7			
FRACTION ± 1/8 .X ± .06 .XX ± .03 .XXX ± .010		DESCRIPTION: SCHEMATIC, HYDRAULIC			
250/ MACHINING FINISH UNLESS OTHERWISE STATED PLANE ANGLES +/- 1°		SIZE: C	SCALE: NTS	DRAWING CODE NUMBER: 97800004DWG	REV.: B
REVISION HISTORY LOCATED ON LAST SHEET			ASSEMBLY: SHEET 4 OF 12		

NO. 97800004DWG

SHEET NO. 5/12

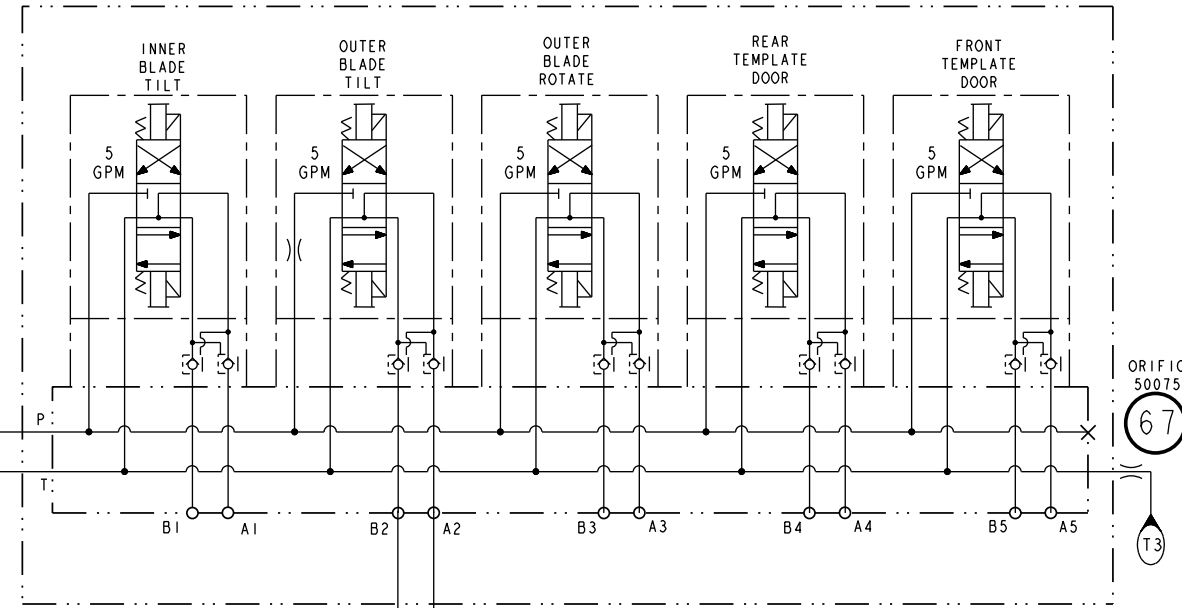
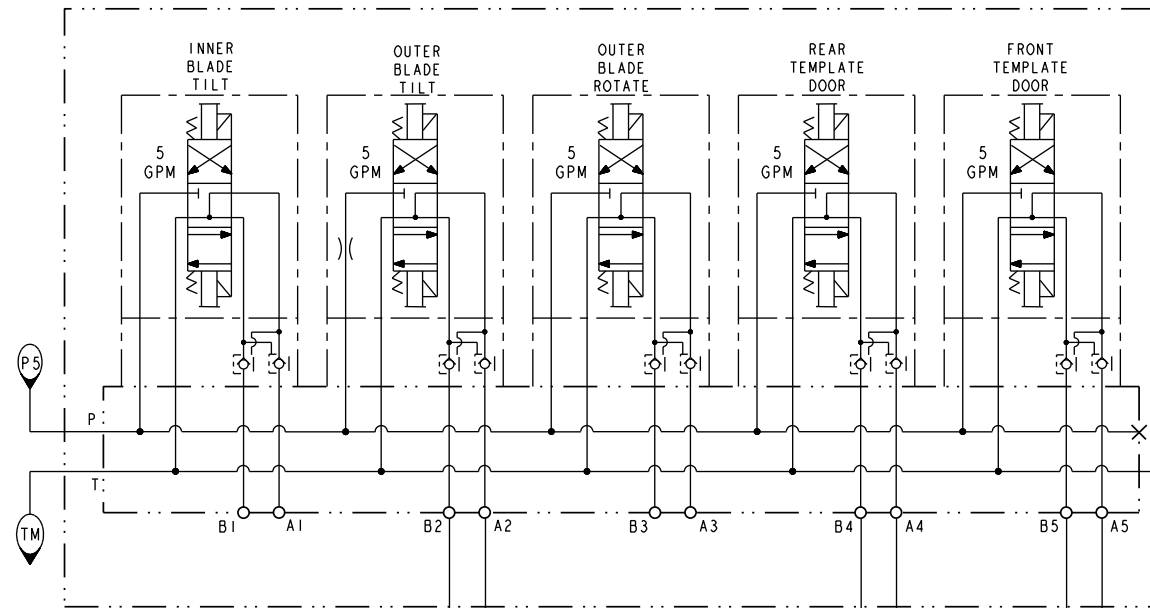
ALL INFORMATION CONTAINED ON THIS DRAWING IS CONSIDERED TO BE BOTH CONFIDENTIAL AND PROPRIETARY BY NORDCO INC. NO USE OR REPRODUCTION THEREOF MAY BE MADE WITHOUT THE EXPRESS WRITTEN CONSENT OF NORDCO INC.

BALLAST WING - FIXED LEFT HAND 460299

SNOW WING EQUIPMENT
460372

41-2 DIRECTIONAL CONTROL VALVE 500172 (5 OF)

41-2 DIRECTIONAL CONTROL VALVE 500172 (5 OF)



41 VALVE MANIFOLD 5 STATION DO3 50070025

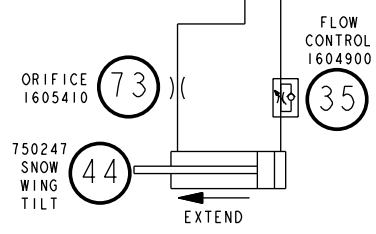
41-3 DUAL PILOT CHECK VALVE 1605990 (5 OF)

42 750237 BALLAST WING TILT CYL.

ORIFICE 1605410 (73)

43 750238 REAR TEMP. CYL.

43 750238 FRONT TEMP. CYL.



41 VALVE MANIFOLD 5 STATION DO3 50070025

41-3 DUAL PILOT CHECK VALVE 1605990 (5 OF)

S/N 800500-800527 and 800531

S/N800500 & UP

REVISION HISTORY
LOCATED ON LAST SHEET

CUSTOMARY: ALL DIMENSIONS IN INCHES					
IMPLIED TOLERANCES		PRODUCT: M7			
FRACTION ± 1/8 .X ± .06 .XX ± .03 .XXX ± .010		DESCRIPTION: SCHEMATIC, HYDRAULIC			
250/ MACHINING FINISH UNLESS OTHERWISE STATED PLANE ANGLES +/- 1°		SIZE: C	SCALE: NTS	DRAWING CODE NUMBER: 97800004DWG	REV. B
ASSEMBLY:			SHEET 5 OF 12		

NO. 97800004DWG

SHEET NO. 6/12

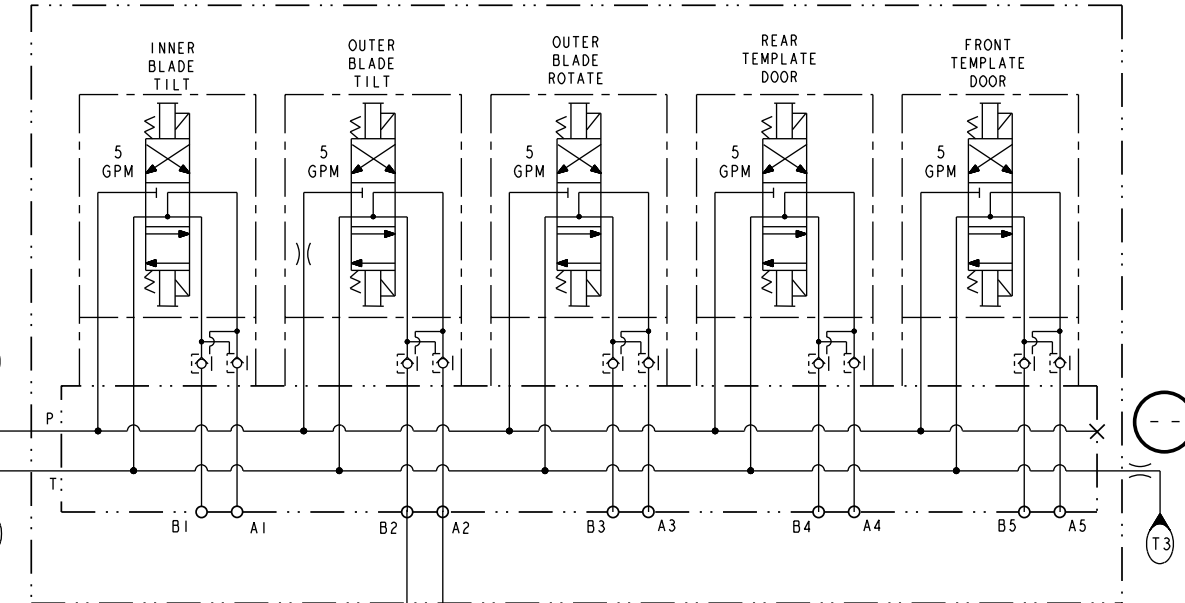
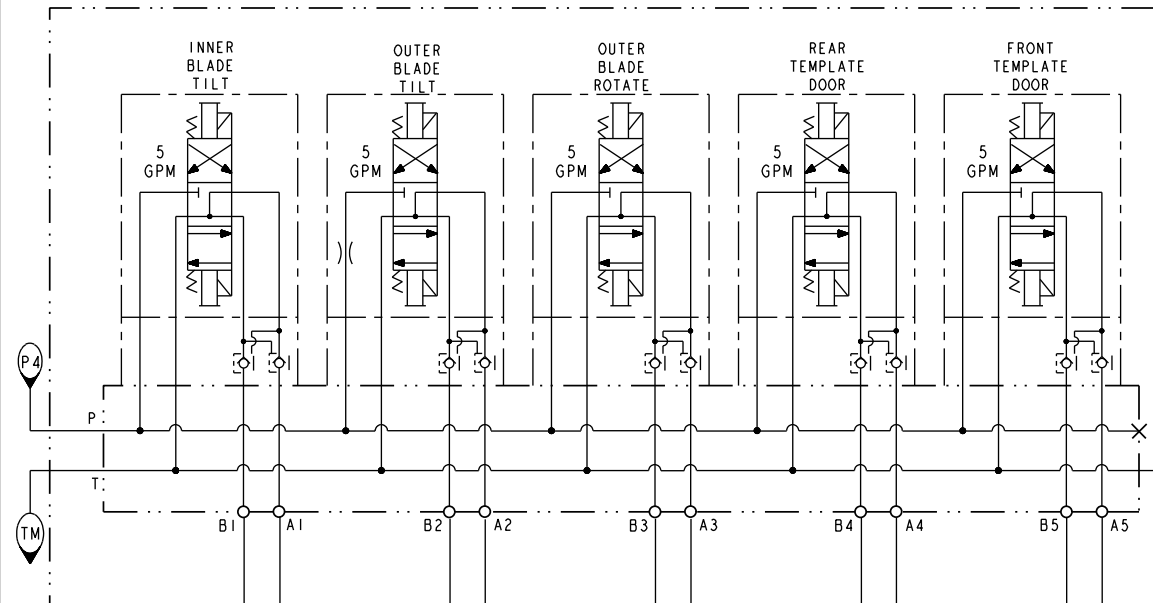
ALL INFORMATION CONTAINED ON THIS DRAWING IS CONSIDERED TO BE BOTH CONFIDENTIAL AND PROPRIETARY BY NORDCO INC. NO USE OR REPRODUCTION THEREOF MAY BE MADE WITHOUT THE EXPRESS WRITTEN CONSENT OF NORDCO INC.

BALLAST WING - ROTATIONAL RIGHT HAND 460386

SNOW WING EQUIPMENT
460375

DIRECTIONAL CONTROL VALVE 500172 (5 OF)

DIRECTIONAL CONTROL VALVE 500172 (5 OF)



VALVE MANIFOLD 5 STATION D03 50070025

DUAL PILOT CHECK VALVE 1605990 (5 OF)

45

810400 INNER BLADE TILT CYL.

46

810404 OUTER BLADE TILT CYL.

47

810406 OUTER BLADE ROTATE CYL.

48

810403 REAR TEMP. CYL.

73

810403 FRONT TEMP. CYL.

ORIFICE 1605410

ORIFICE 1605410

750247 SNOW WING TILT

FLOW CONTROL 1604900

VALVE MANIFOLD 5 STATION D03 50070025

DUAL PILOT CHECK VALVE 1605990 (5 OF)

S/N 800500-800527 and 800531

S/N800500 & UP

DIRECTIONAL CONTROL VALVE 500172 (5 OF) SAME COMPONENT USED FOR RH FIXED BALLAST WING (SHT 5)

CUSTOMARY: ALL DIMENSIONS IN INCHES				THIRD ANGLE PROJECTION	
IMPLIED TOLERANCES		PRODUCT: M7			
FRACTION ± 1/8 .X ± .06 .XX ± .03 .XXX ± .010		DESCRIPTION: SCHEMATIC, HYDRAULIC			
MACHINE FINISH UNLESS OTHERWISE STATED		SIZE: C	SCALE: NTS	DRAWING CODE NUMBER: 97800004DWG	REV. B
PLANE ANGLES +/- 1°		ASSEMBLY:		SHEET 6 OF 12	

REVISION HISTORY LOCATED ON LAST SHEET

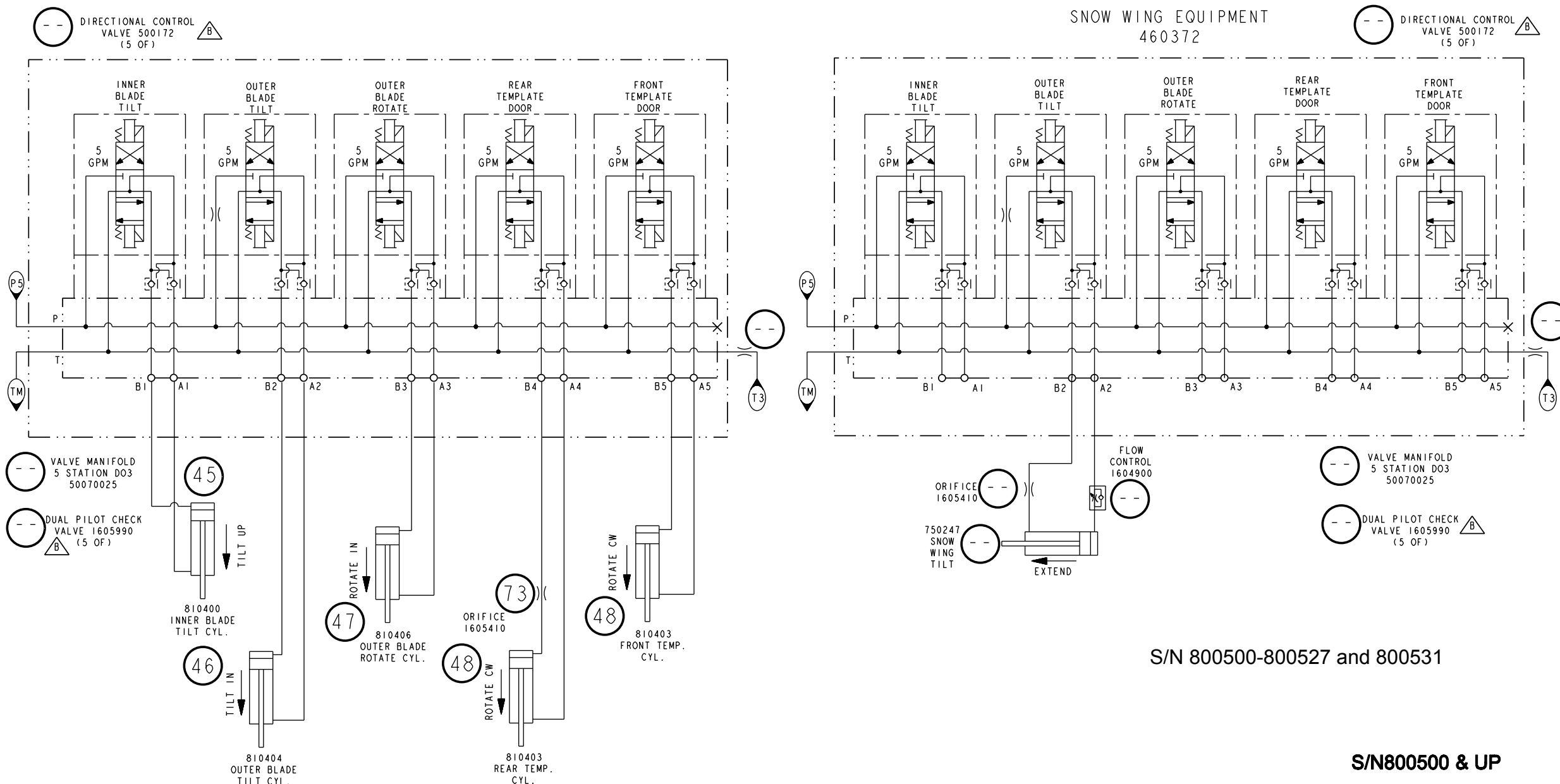
NO. 97800004DWG

SHEET NO. 7112

ALL INFORMATION CONTAINED ON THIS DRAWING IS CONSIDERED TO BE BOTH CONFIDENTIAL AND PROPRIETARY BY NORDCO INC. NO USE OR REPRODUCTION THEREOF MAY BE MADE WITHOUT THE EXPRESS WRITTEN CONSENT OF NORDCO INC.

BALLAST WING - ROTATIONAL LEFT HAND 460387

SNOW WING EQUIPMENT
460372



S/N 800500-800527 and 800531

S/N800500 & UP

--- SAME COMPONENT USED FOR
LH FIXED BALLAST WING (SHT 6)

REVISION HISTORY
LOCATED ON LAST SHEET

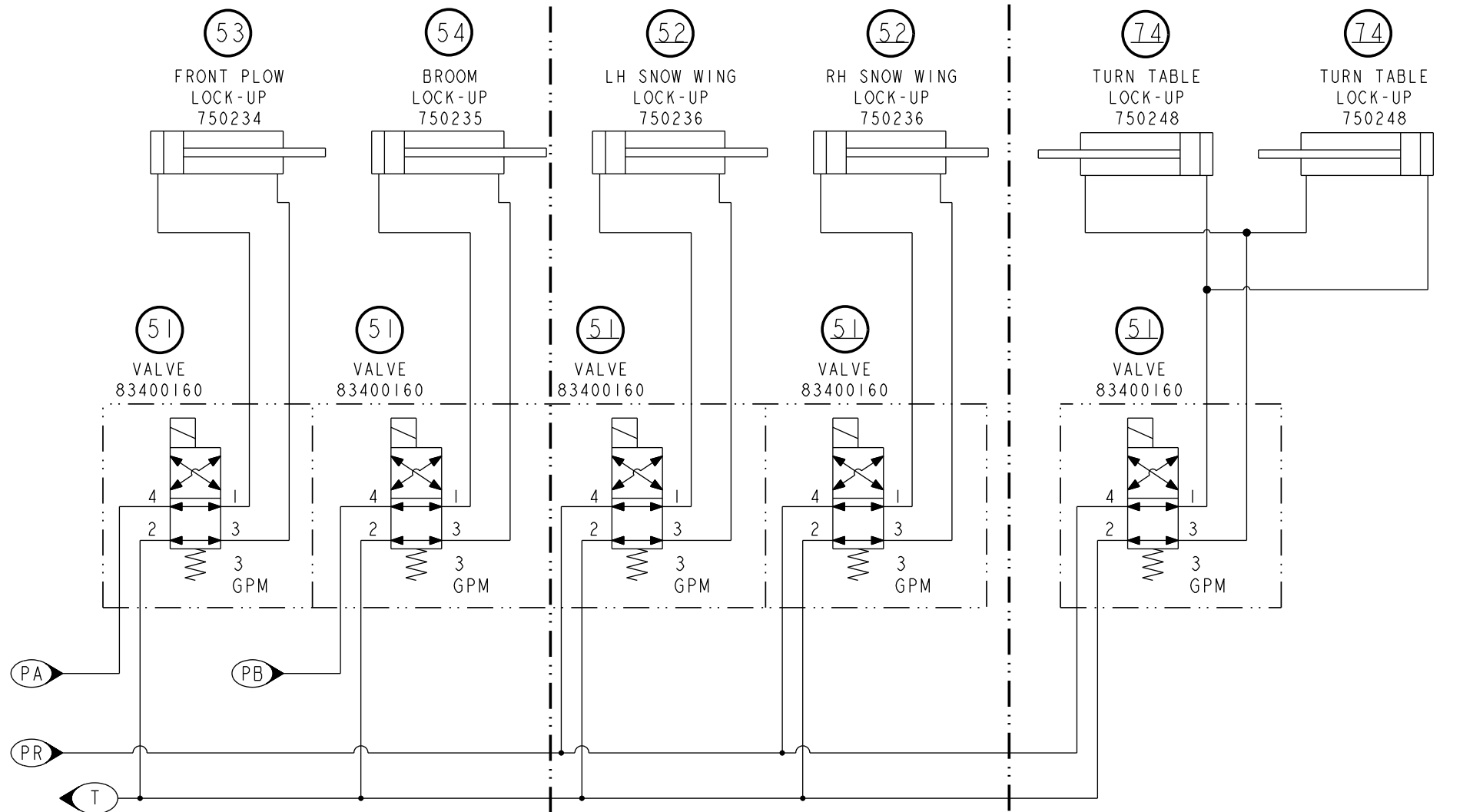
CUSTOMARY: ALL DIMENSIONS IN INCHES					
IMPLIED TOLERANCES		PRODUCT: M7			
FRACTION ± 1/8 .X ± .06 .XX ± .03 .XXX ± .010		DESCRIPTION: SCHEMATIC, HYDRAULIC			
MACHINE FINISH UNLESS OTHERWISE STATED		SIZE	SCALE	DRAWING CODE NUMBER	REV.
		C	NTS	97800004DWG	B
PLANE ANGLES +/- 1°		ASSEMBLY:		SHEET 7 OF 12	

NO. 97800004DWG

SHEET NO. 8/12

ALL INFORMATION CONTAINED ON THIS DRAWING IS CONSIDERED TO BE BOTH CONFIDENTIAL AND PROPRIETARY BY NORDCO INC. NO USE OR REPRODUCTION THEREOF MAY BE MADE WITHOUT THE EXPRESS WRITTEN CONSENT OF NORDCO INC.

OPTIONAL SNOW WINGS W/POWER LOCK OPTION 460424 TURN TABLE POWER LOCK



PA
PB
PR
T

S/N 800500-800527 and 800531

S/N800500 & UP

OPTIONAL COMPONENTS UNDERLINED

CUSTOMARY: ALL DIMENSIONS IN INCHES					
IMPLIED TOLERANCES		PRODUCT: M7			
DESCRIPTION: SCHEMATIC, HYDRAULIC		DRAWING CODE NUMBER			
FRACTION	± 1/8	SIZE	SCALE	DRAWING CODE NUMBER	REV.
.X	± .06	C	NTS	97800004DWG	B
.XX	± .03	ASSEMBLY:		SHEET 8 OF 12	
.XXX	± .010	MACHINE FINISH UNLESS OTHERWISE STATED			
PLANE ANGLES +/- 1°					

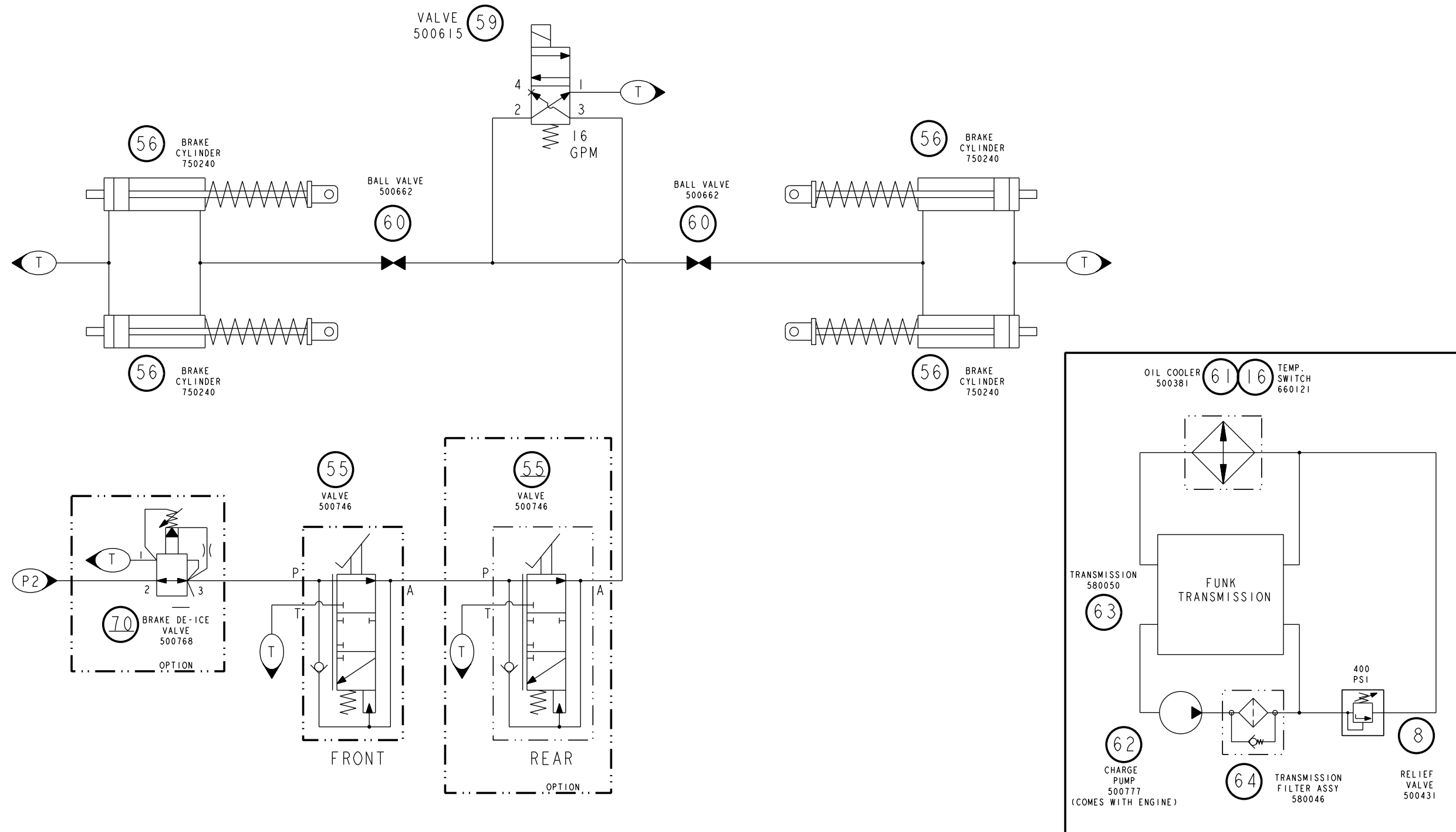
REVISION HISTORY LOCATED ON LAST SHEET

NO. 97800004DWG

SHEET NO. 9/12

ALL INFORMATION CONTAINED ON THIS DRAWING IS CONSIDERED TO BE BOTH CONFIDENTIAL AND PROPRIETARY BY NORDCO INC. NO USE OR REPRODUCTION THEREOF MAY BE MADE WITHOUT THE EXPRESS WRITTEN CONSENT OF NORDCO INC.

BRAKE SYSTEM



S/N 800500-800527 and 800531

S/N800500 & UP

00 OPTIONAL COMPONENTS UNDERLINED

REVISION HISTORY LOCATED ON LAST SHEET

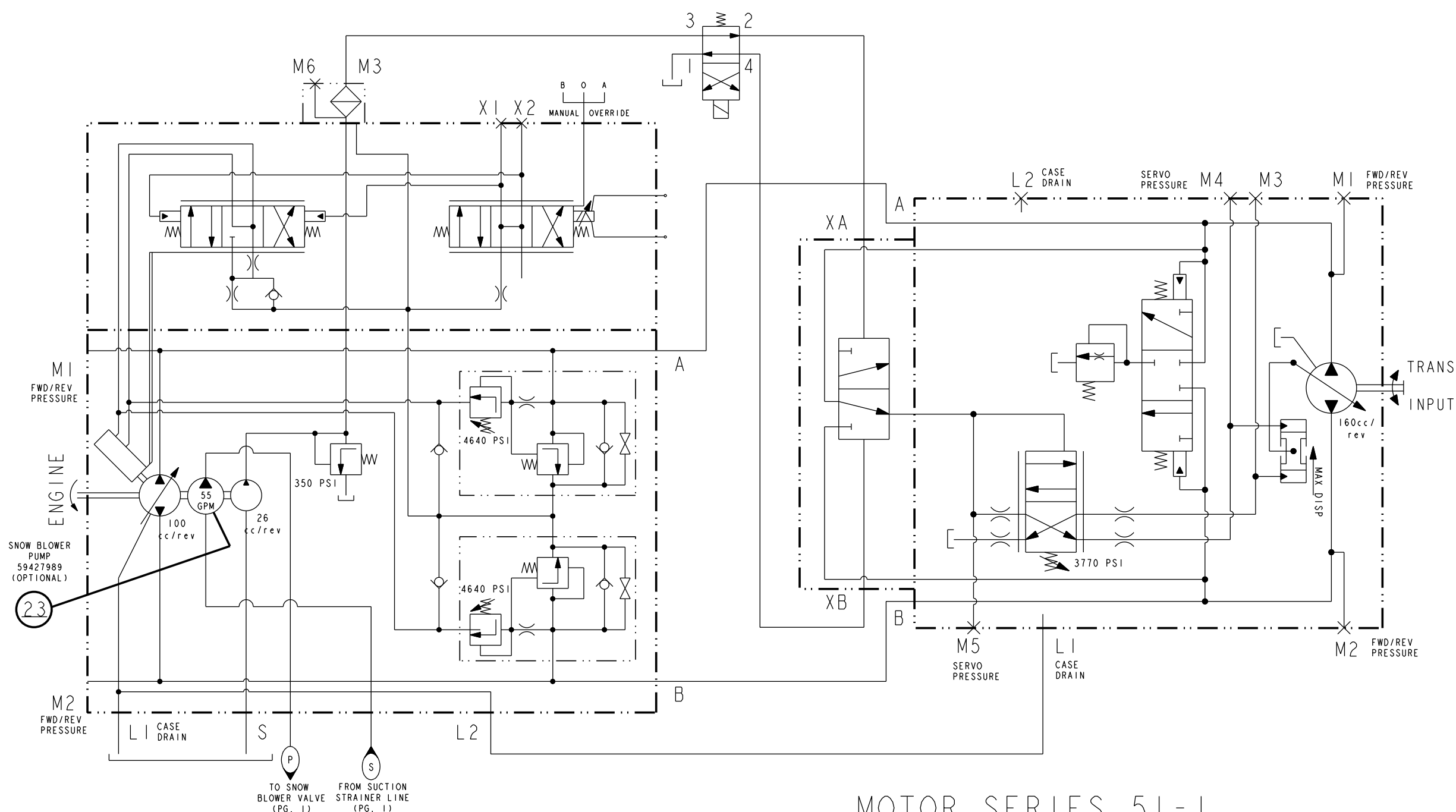
CUSTOMARY: ALL DIMENSIONS IN INCHES					
IMPLIED TOLERANCES		PRODUCT: M7			
DESCRIPTION: SCHEMATIC, HYDRAULIC		DRAWING CODE NUMBER: 97800004DWG			
FRACTION ± 1/8 .X ± .06 .XX ± .03 .XXX ± .010		SIZE: C	SCALE: NTS	REV.:	B
MACHINE FINISH UNLESS OTHERWISE STATED		ASSEMBLY:		SHEET 9 OF 12	
PLANE ANGLES +/- 1°					

NO. 97800004DWG

SHEET NO. 10/12

ALL INFORMATION CONTAINED ON THIS DRAWING IS CONSIDERED TO BE BOTH CONFIDENTIAL AND PROPRIETARY BY NORDCO INC. NO USE OR REPRODUCTION THEREOF MAY BE MADE WITHOUT THE EXPRESS WRITTEN CONSENT OF NORDCO INC.

51 VALVE
83400160



PUMP SERIES 90
CLOCKWISE (CW) ROTATION
59427985

MOTOR SERIES 51-1

S/N 800500-800527 and 800531

500648

S/N800500 & UP

OPTIONAL COMPONENTS
UNDERLINED

REVISION HISTORY
LOCATED ON LAST SHEET

CUSTOMARY: ALL DIMENSIONS IN INCHES					
IMPLIED TOLERANCES		PRODUCT: M7			
DESCRIPTION: SCHEMATIC, HYDRAULIC		DRAWING CODE NUMBER			
FRACTION	± 1/8	SIZE	SCALE	DRAWING CODE NUMBER	REV.
.X	± .06	C	NTS	97800004DWG	B
.XX	± .03	ASSEMBLY:		SHEET 10 OF 12	
.XXX	± .010	MACHINE FINISH UNLESS OTHERWISE STATED			
PLANE ANGLES +/- 1°					

NO. 97800004DWG

SHEET NO. 11/12
 ALL INFORMATION CONTAINED ON THIS DRAWING IS CONSIDERED TO BE BOTH CONFIDENTIAL AND PROPRIETARY BY NORDCO INC. NO USE OR REPRODUCTION THEREOF MAY BE MADE WITHOUT THE EXPRESS WRITTEN CONSENT OF NORDCO INC.

ITEM NO.	NORDCO PART NO.	DESCRIPTION	STD QTY.	OPT QTY.	PAGE
01	500624	HYDRAULIC OIL TANK	1	-	1
02	F-438	BALL VALVE	1	-	
03	500619	SUCTION STRAINER	1	-	
03-1	500092	ELEMENT			
04	500625	SUCTION MANIFOLD	1	-	
05	59427987	IMPLEMENT PUMP	1	-	
06	54218493	UNLOADING VALVE	2	-	
06-1	25534036	COIL, DESTROKE			
07	1607046	BALL VALVE	1	-	
08	500431	RELIEF VALVE	3	-	1,9
09	98800020	EMERGENCY PUMP	1	-	1
09-1	520247	CABLE, EMERGENCY PUMP			
10	F-566	CHECK VALVE	1	-	
11	3880259	PRESSURE FILTER	1	-	
11-1	5193970	SENDING UNIT			
11-2	3894289	ELEMENT			
12	1603709	VALVE, DUAL COUNTERBALANCE	2	-	3
13	-	-			
14	500775	RETURN MANIFOLD	1	-	1
15	500385	HYDRAULIC OIL COOLER	1	-	
15-1	500383	OIL COOLER			
15-2	500384	FAN, OIL COOLER			
16	660121	TEMPERATURE SWITCH	2	-	1,9
16-1	96391051	ASSY, CONTROLLER KIT			
17	3880323	RETURN FILTER	2	-	1
17-1	5193970	SENDING UNIT			
17-2	3894289	ELEMENT			
18	500428	BROOM VALVE	1	-	
18-1	500629	VALVE, DIR CTRL OPEN CENTER			
19	500481	BROOM VALVE SUBPLATE	1	-	
20	F-233	BROOM & BLOWER MOTOR	1	-	
21	50078577	SNOW BLOWER VALVE ASSY	-	1	
21-1	50080046	BLOCK, MANIFOLD D08			
21-2	1699390	VALVE, DIRECTIONAL CONTROL D08			
21-3	1699391	VALVE, DIRECTIONAL CONTROL D03			
21-4	1623568	VALVE, VARIABLE RELIEF 500-3000PSI			
21-5	2783331	1/2-13UNC X 2.50 LG S.H.C.S.			
22	500406	PRESSURE REDUCING VALVE	1	-	
22-1	505002	VALVE, PRES RED CARTRIDGE			
23	59427989	SNOW BLOWER PUMP	-	1	10
24	500175	6 STATION D03 VALVE MANIFOLD	1	-	2
24-1	500173	MANIFOLD, 6 STATION D03			
24-2	500172	VALVE, SOLENOID DIRECTIONAL			
25	500430-24V	FLOAT VALVE	1	-	
25-1	500651	SOLENOID FOR NACHI VALVE			
26	1696782	TURN TABLE CONTROL VALVE	1	-	
27	F-201	CHUTE ROTATE	-	1	
28	F-611	CHECK VALVE	2	-	
29	750242	TURN TABLE CYLINDERS	2	-	
29-1	SK-750242	SEAL KIT			
30	7500-227	PLOW LIFT	1	-	
30-1	SK-7500-227	SEAL KIT 500799			
31	7500-120	PLOW BLADE CYLINDER	2	-	
31-1	SK-7500-120	SEAL KIT 500799			
32	7500-109	BROOM LIFT CYLINDER	1	-	
32-1	SK-7500-109	SEAL KIT 500798			
33	750241	BROOM TILT CYLINDER	2	-	
33-1	SK-750241	SEAL KIT 500799			
34	83390190	4 SECTION PROPORTIONAL VALVE	1	-	3
35	1604900	FLOW CONTROL VALVE	5	-	2,4-5
36	750229	BOOM LIFT CYLINDER	2	-	3
36-1	SK-750229	SEAL KIT			
37	750239	BOOM MOTION CYLINDER	2	-	
37-1	SK-750239	SEAL KIT 500799			

ITEM NO.	NORDCO PART NO.	DESCRIPTION	STD QTY.	OPT QTY.	PAGE
38	7500-101	SNOW WING EXTEND CYLINDER	2	-	3
38-1	SK-7500-101	SEAL KIT 500801			
39	F-640	QUICK ACTING DUMP VALVE	2	-	
40	810401	BOOM MOTION CYLINDER	-	2	
40-1	SK-810401	SEAL KIT 500799			
41	50070025	5 STATION D03 VALVE MANIFOLD	4	-	4-5
41-1	500171	MANIFOLD, 5 STATION D03			
41-2	1699099	VALVE, SOLENOID DIRECTIONAL			
41-3	1605990	VALVE, PILOT OPERATED CHECK	10	10	
42	750237	BALLAST WING TILT CYL	2	-	
42-1	7SK-50237	SEAL KIT 500798			
43	750238	TEMPLATE DOOR CYLINDER	4	-	
43-1	SK-750238	SEAL KIT 500799			
44	750247	SNOW WING TILT CYLINDER	2	-	
44-1	SK-750247	SEAL KIT 500799			
45	810400	INNER DOOR TILT CYLINDER	-	2	6-7
45-1	SK-810400	SEAL KIT 500798			
46	810404	OUTER DOOR TILT CYLINDER	-	2	
46-1	SK-810404	SEAL KIT 500798			
47	810406	OUTER DOOR ROTATE CYLINDER	-	2	
47-1	SK-810406	SEAL KIT 500798			
48	810403	TEMPLATE DOOR CYLINDER	-	4	
48-1	SK810403	SEAL KIT 500799			
49	-	-			
49-1	-	-			
50	-	-			
51	83400160	2 POSITION VALVE	3	3	8,10
52	750236	SNOW WING LOCK-UP CYLINDER	-	2	8
53	750234	FRONT PLOW LOCK-UP CYLINDER	1	-	
54	750235	BROOM LOCK-UP CYLINDER	1	-	
55	500746	BRAKE VALVE, FOOT PEDAL	1	1	9
56	750240	SINGLE ACTING BRAKE CYLINDER	4	-	
57	F-435	CHECK VALVE	2	-	3
58	-	-			
59	500615	VALVE, SOLENOID 2-POSITION	1	2	2,9
59-1	500779	VALVE, 2-POSITION 4-WAYS			
59-2	520277	COIL, 24VDC DIN 43650			
60	500662	LOCKING BALL VALVE 3/4 NPT	2	-	9
61	500381	TRANSMISSION OIL COOLER	1	-	
61-1	500382	FAN, OIL COOLER			
62	500777	CHARGE PUMP COMES W/ENGINE	1	-	
63	580050	FUNK TRANSMISSION	1	-	
63-1	580056	SENDER, TEMP TRANS FUNK			
63-2	580057	GAUGE, TEMP TRANS FUNK			
64	580046	TRANSMISSION FILTER ASSY	1	-	
64-1	580047	BASE, FILTER			
64-2	580048	ELEMENT FILTER			
65	59427985	SERIES 90 PUMP	1	-	10
65-1	500072	PUMP FILTER			
66	500648	SERIES 51-1 MOTOR	1	-	
67	500757	ORIFICE 0.093	6	1	2-5
68	1605895	CHECK VALVE 100 PSI	1	-	1
69	500028	MOTOR, WHEEL HYD OMVW800	1	-	
70	500768	VALVE, REDUCING WITH HANDKNOB	-	1	9
71	50078570	MANIFOLD TWO STATION HEADER	1	-	1
72	50079050	MANIFOLD HEADER 6 PORTS	1	-	
73	1605410	ORIFICE, .06	6	-	4-7
74	750248	CYLINDER, TURN TABLE LOCK	-	2	8
75	-	-			
76	C-7500-100	CHECK VALVE 125 PSI	-	1	2
77	500627	BROOM PUMP	1	-	1

S/N 800500-800527 and 800531

S/N800500 & UP

CUSTOMARY: ALL DIMENSIONS IN INCHES					
IMPLIED TOLERANCES		PRODUCT: M7			
DESCRIPTION: SCHEMATIC, HYDRAULIC		DRAWING CODE NUMBER			
FRACTION	± 1/8	SIZE	SCALE	DRAWING CODE NUMBER	REV.
.X	± .06	C	NTS	97800004DWG	B
.XX	± .03	MACHINE FINISH UNLESS OTHERWISE STATED		SHEET 11 OF 12	
.XXX	± .010	PLANE ANGLES +/- 1°		ASSEMBLY:	

REVISION HISTORY
 LOCATED ON LAST SHEET

NO. 97800004DWG

SHEET NO. 12/12


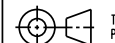
ALL INFORMATION CONTAINED ON THIS DRAWING IS CONSIDERED TO BE BOTH CONFIDENTIAL AND PROPRIETARY BY NORDCO INC. NO USE OR REPRODUCTION THEREOF MAY BE MADE WITHOUT THE EXPRESS WRITTEN CONSENT OF NORDCO INC.

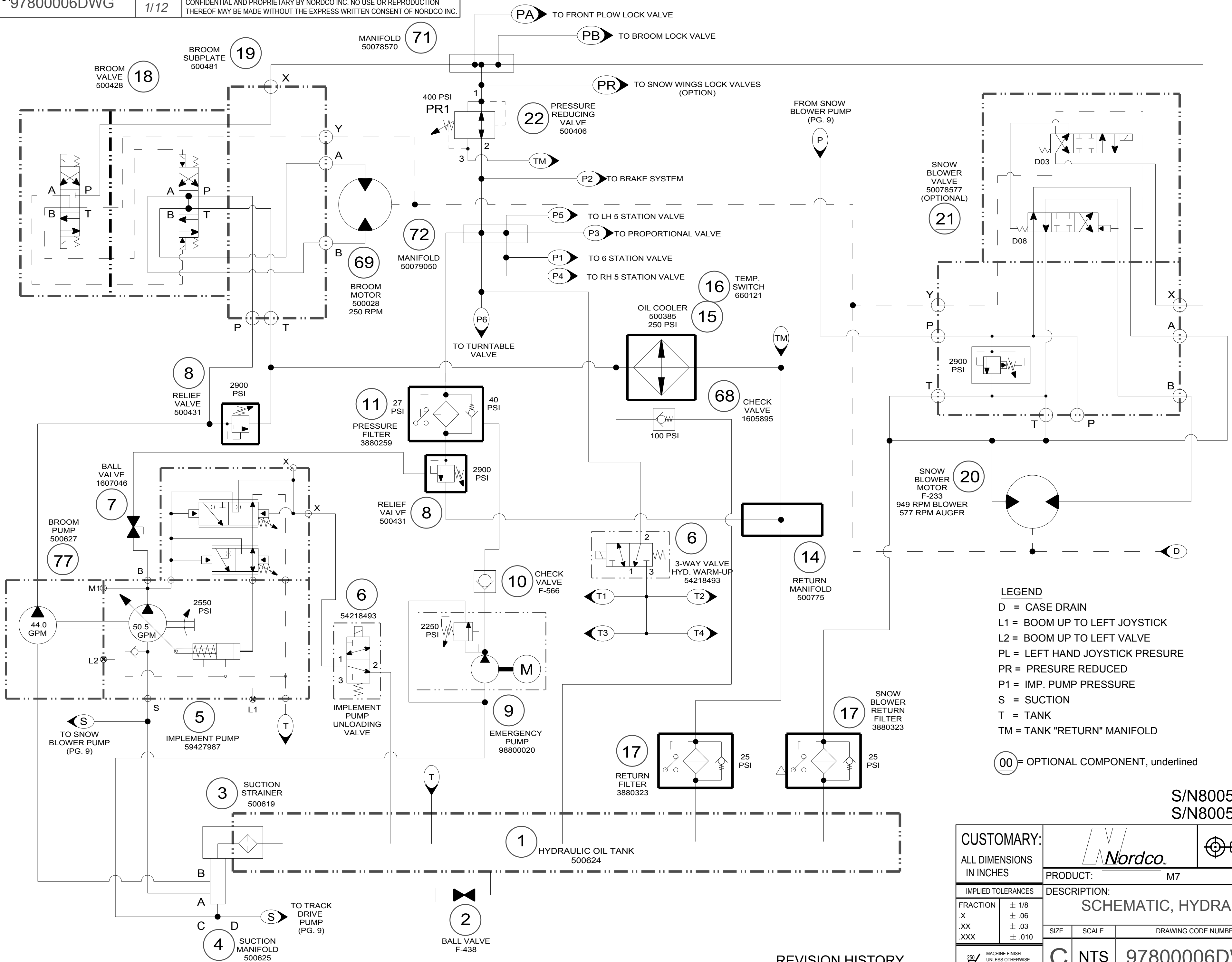
ECO	600134	REV A
DRAWN BY:	CHECKED BY:	APPROVED BY:
DLS 09-25-09	SCR 1-27-09	
SHEET	CHANGE	
ALL	NEW ISSUE	

ECO	600330	REV B
DRAWN BY:	CHECKED BY:	APPROVED BY:
MKS 11-2-10		
SHEET	CHANGE	
1	ITEM 9 WAS G-065-24V	
2	ADDED DIRECTIONAL CONTROL VALVE PART NUMBER, 500172; ITEM 24-2	
3 - 4	COMBINED THESE 2 SHEETS- NOW IS SHEET 3. ADDED ITEMS 12, COUNTERBALANCE VALVE. ITEM 34 WAS 500628. PROPORTIONAL VALVE NOW SHOWN WITH TWO OPEN CENTERED SPOOLS	
4 - 5	WERE SHTS 5-6. ITEM 41 WAS 500170. REMOVED ITEMS 35, 73 FROM BALLAST WING MANIFOLDS WITH DOOR CONTROLS. ADDED NEW ITEM 41-3, PILOT OPERATED CHECK VALVE.	
6 - 7	THESE SHEETS WERE INSERTED NEW. REMOVED ITEMS 35, 73 FROM BALLAST WING MANIFOLDS WITH DOOR CONTROLS	
11	REMOVED ITEM 75 FROM BILL OF MATERIAL	
8 - 12	RENUMBERED PER ABOVE CHANGES.	

S/N 800500-800527 and 800531

S/N800500 & UP

CUSTOMARY: ALL DIMENSIONS IN INCHES				 THIRD ANGLE PROJECTION	
IMPLIED TOLERANCES		PRODUCT: M7			
DESCRIPTION: SCHEMATIC, HYDRAULIC		DRAWING CODE NUMBER			
FRACTION	± 1/8	SIZE	SCALE	DRAWING CODE NUMBER	REV.
.X	± .06	C	NTS	97800004DWG	B
.XX	± .03				
.XXX	± .010				
MACHINE FINISH UNLESS OTHERWISE STATED		ASSEMBLY:		SHEET 12 OF 12	
PLANE ANGLES +/- 1°					

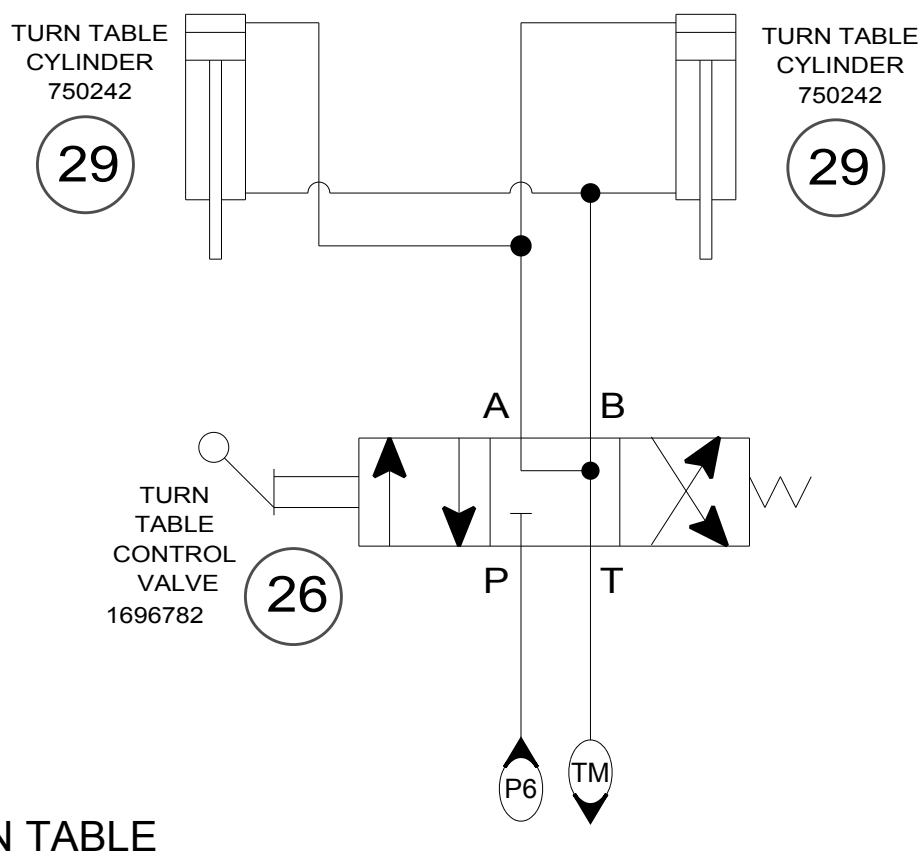


LEGEND
 D = CASE DRAIN
 L1 = BOOM UP TO LEFT JOYSTICK
 L2 = BOOM UP TO LEFT VALVE
 PL = LEFT HAND JOYSTICK PRESURE
 PR = PRESURE REDUCED
 P1 = IMP. PUMP PRESSURE
 S = SUCTION
 T = TANK
 TM = TANK "RETURN" MANIFOLD
 00 = OPTIONAL COMPONENT, underlined

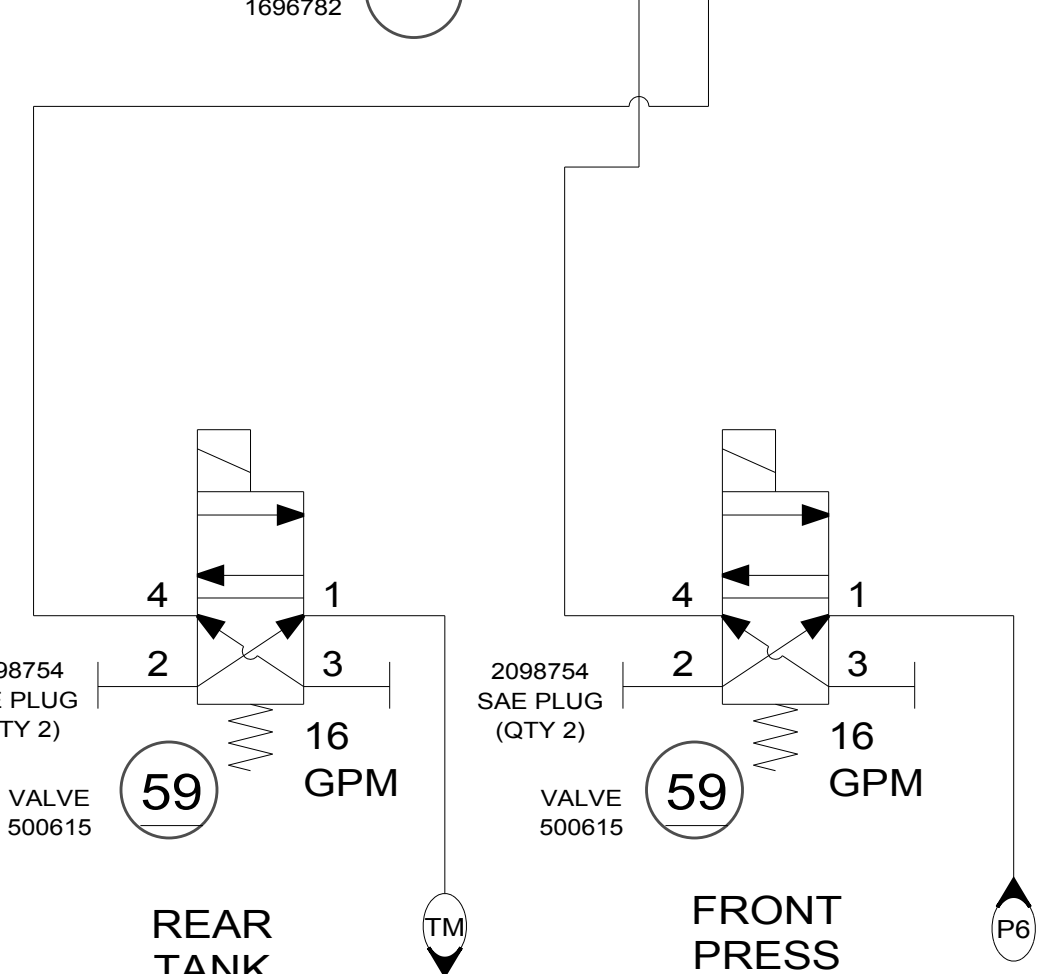
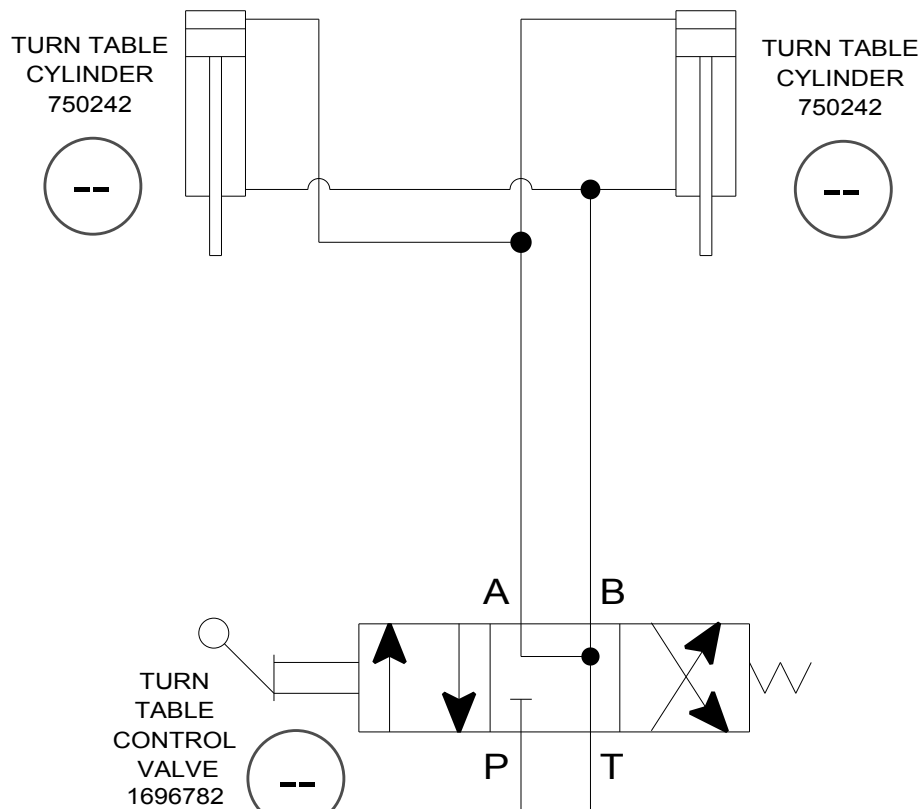
S/N800528-530
 S/N800532 & UP

CUSTOMARY: ALL DIMENSIONS IN INCHES				THIRD ANGLE PROJECTION	
IMPLIED TOLERANCES		PRODUCT: M7			
DESCRIPTION:		SCHEMATIC, HYDRAULIC			
FRACTION	± 1/8	SIZE	SCALE	DRAWING CODE NUMBER	REV.
.X	± .06	C	NTS	97800006DWG	A
.XX	± .03	ASSEMBLY:		SHEET 1 OF 12	
.XXX	± .010				
MACHINE FINISH UNLESS OTHERWISE STATED					
PLANE ANGLES +/- 1°					

REVISION HISTORY
 LOCATED ON LAST SHEET

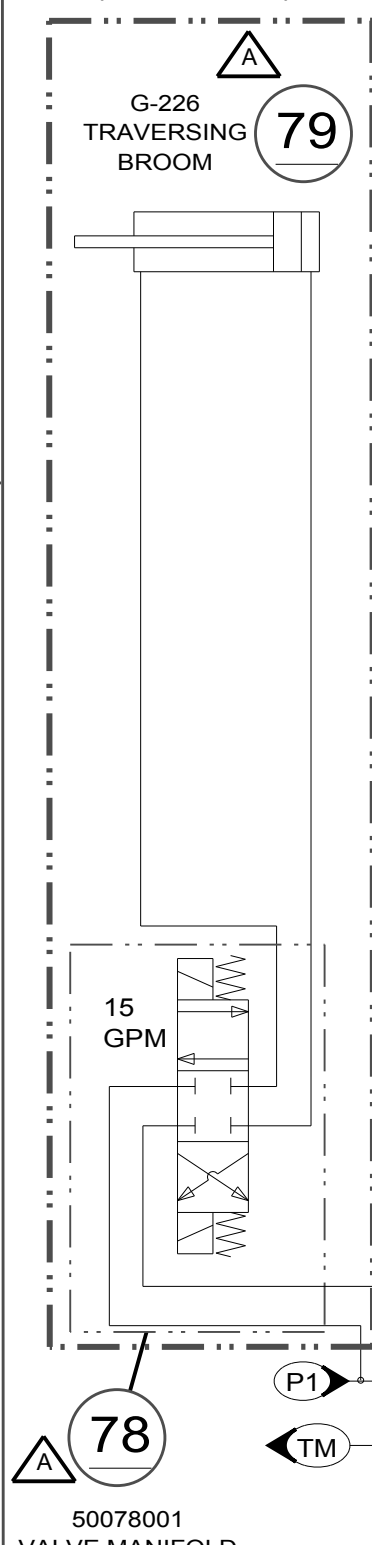


TURN TABLE



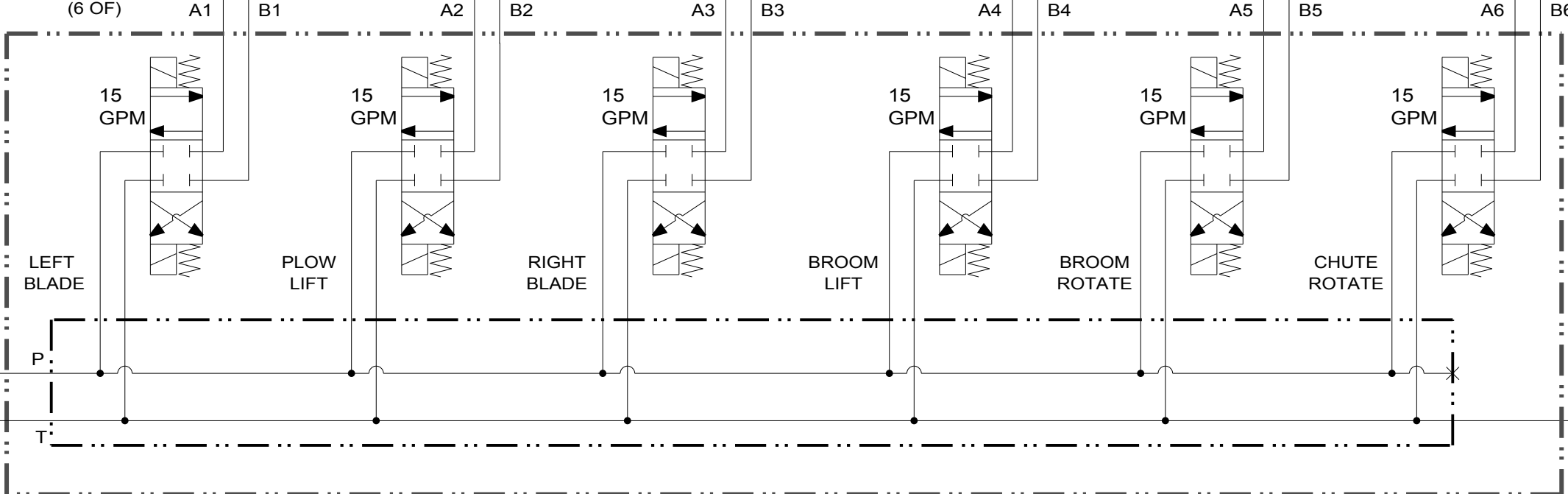
TURN TABLE SAFETY INTERLOCK (OPTION 460421)

TRAVERSING BROOM (OPTIONAL)



50078001 VALVE MANIFOLD STATION DO3
78-2 DIRECTIONAL CONTROL VALVE 1699087

24-2 DIRECTIONAL CONTROL VALVE 1699087 (6 OF)

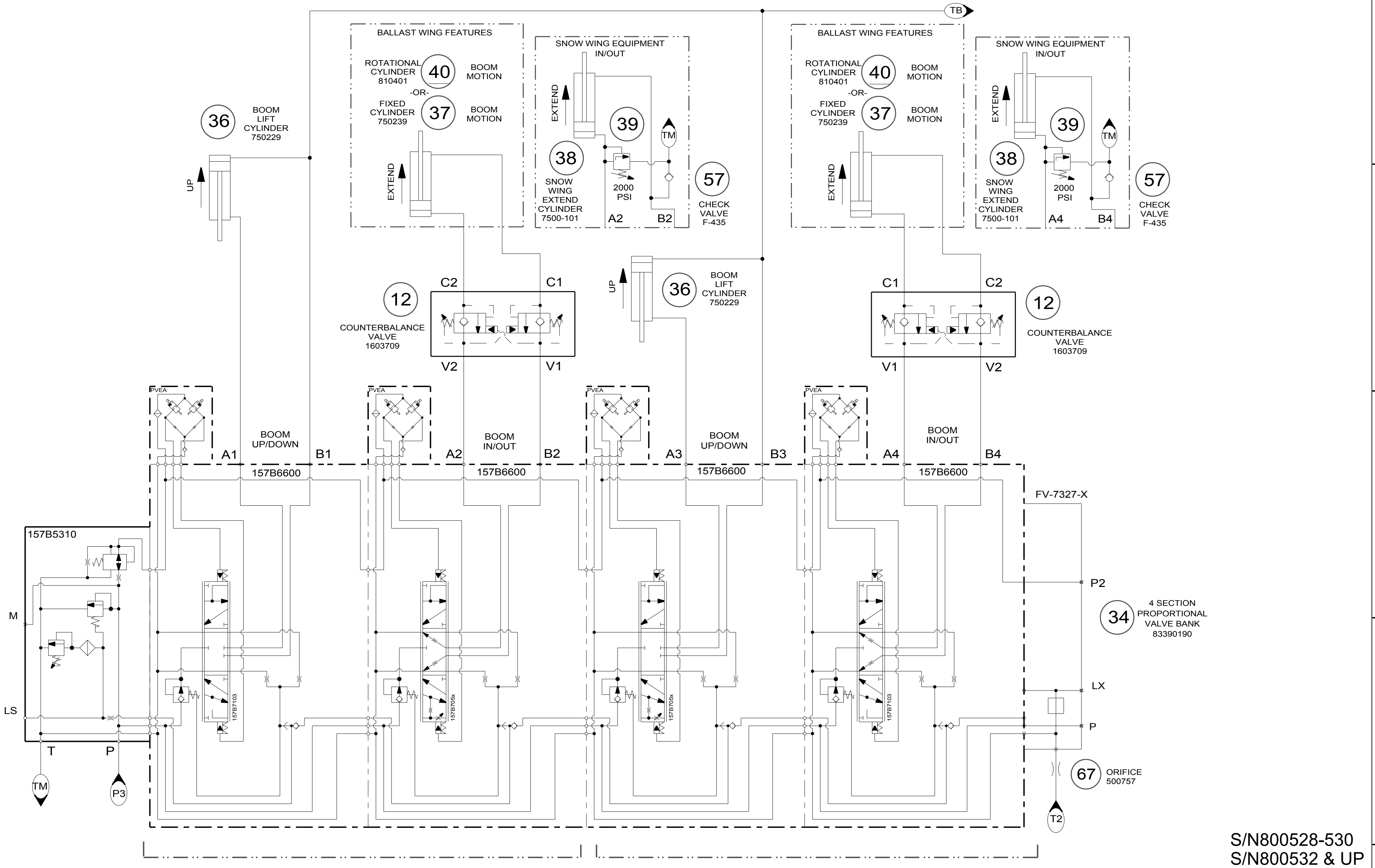


24 VALVE MANIFOLD 6 STATION DO3 500175

- SAME COMPONENT USED FOR STD TURNABLE (ABOVE)
- 00 OPTIONAL COMPONENTS UNDERLINED

S/N800528-530
S/N800532 & UP

CUSTOMARY: ALL DIMENSIONS IN INCHES				THIRD ANGLE PROJECTION	
IMPLIED TOLERANCES		PRODUCT: M7			
FRACTION	± 1/8	DESCRIPTION: SCHEMATIC, HYDRAULIC			
.X	± .06	SIZE	SCALE	DRAWING CODE NUMBER	REV.
.XX	± .03	C	NTS	97800006DWG	A
.XXX	± .010	ASSEMBLY:		SHEET 2 OF 12	
MACHINE FINISH UNLESS OTHERWISE STATED		REVISION HISTORY LOCATED ON LAST SHEET			
PLANE ANGLES ±.1°					



LEFT HAND WING

RIGHT HAND WING

FIXED OR ROTATIONAL BALLAST WING

S/N800528-530
S/N800532 & UP

00 OPTIONAL FEATURES UNDERLINED

REVISION HISTORY LOCATED ON LAST SHEET

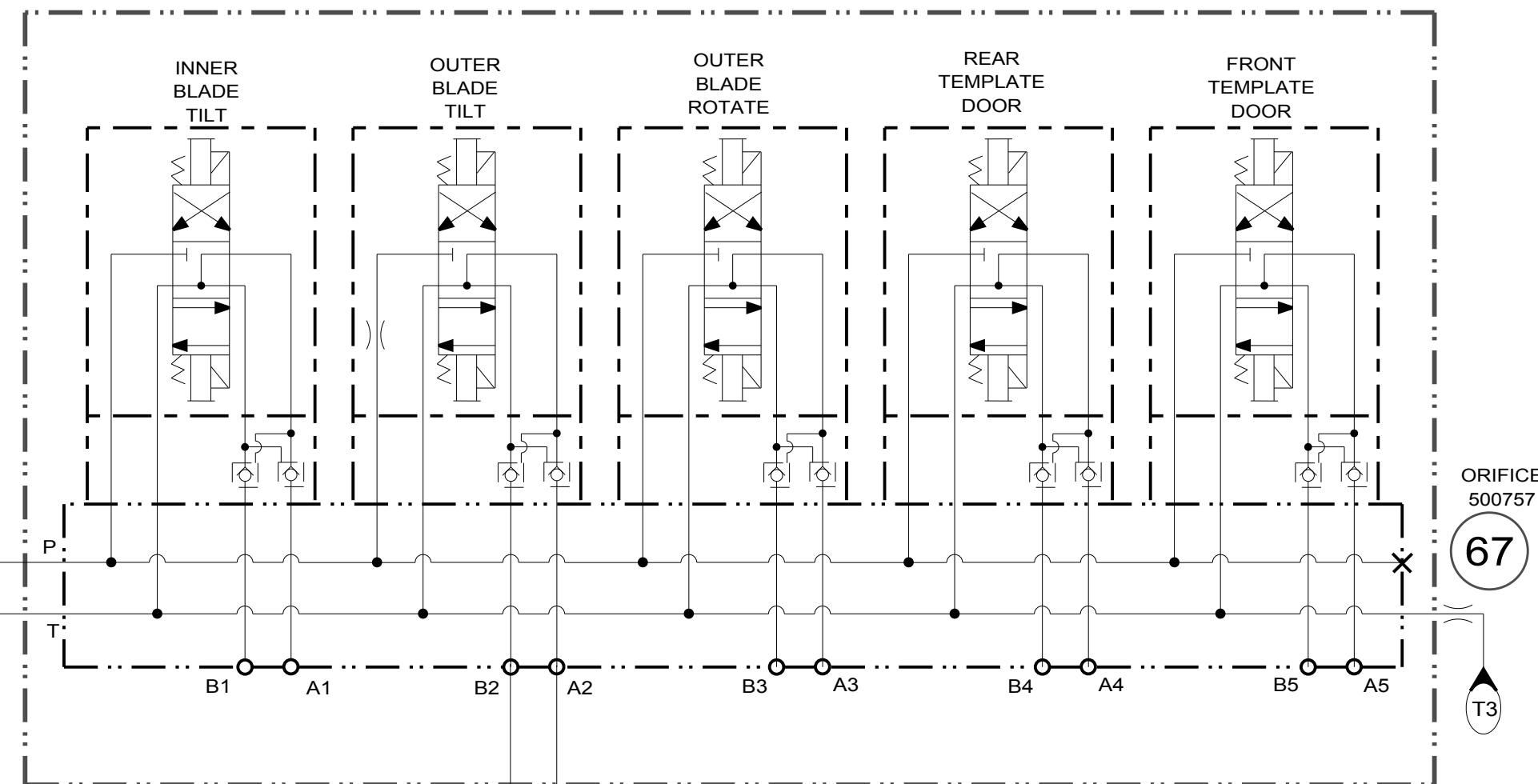
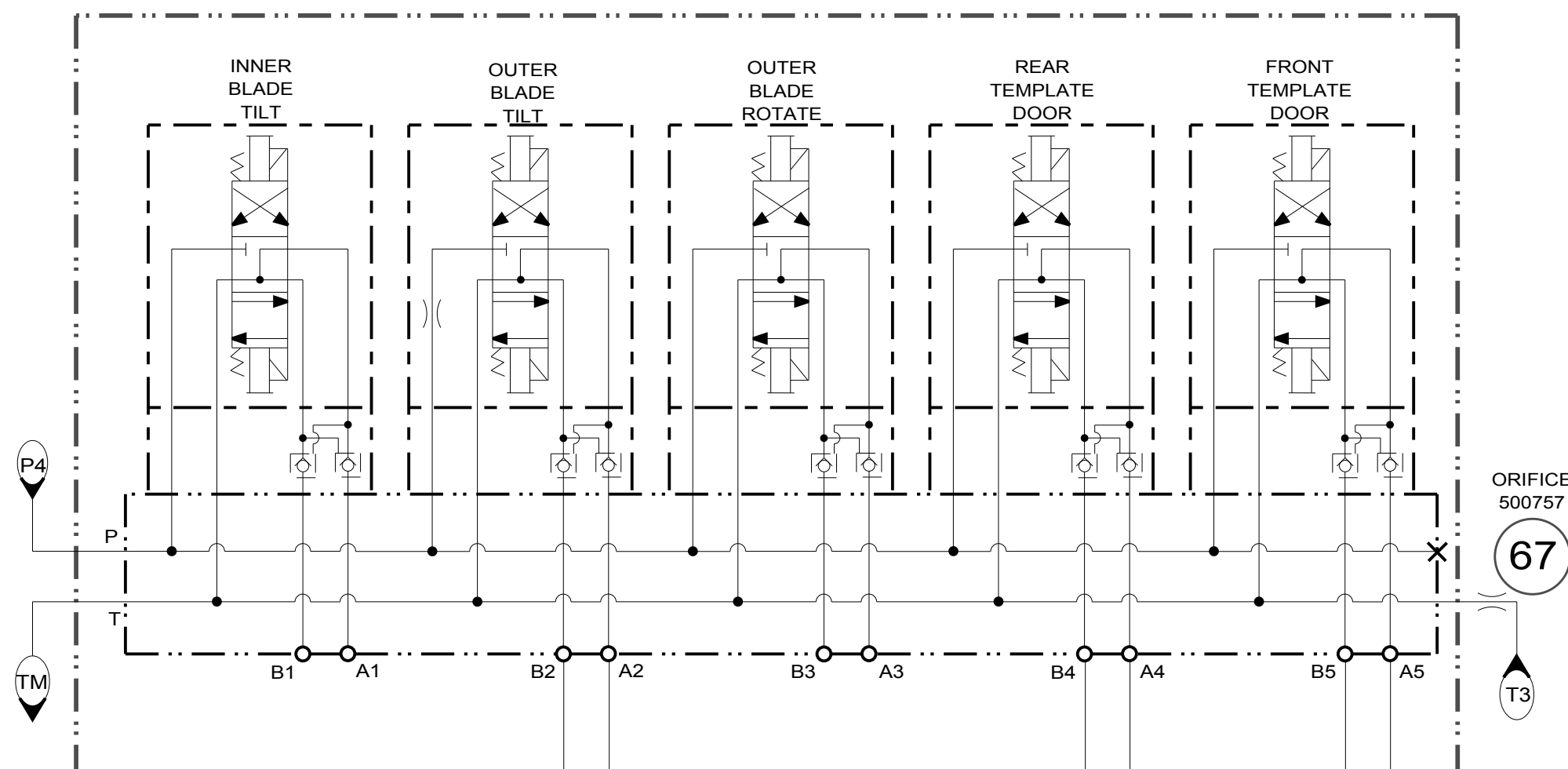
CUSTOMARY:					
ALL DIMENSIONS IN INCHES		PRODUCT: M7			
IMPLIED TOLERANCES		DESCRIPTION: SCHEMATIC, HYDRAULIC			
FRACTION	± 1/8	SIZE	SCALE	DRAWING CODE NUMBER	REV.
.X	± .06	C	NTS	97800006DWG	A
.XX	± .03	ASSEMBLY:		SHEET 3	OF 12
.XXX	± .010				
MACHINE FINISH UNLESS OTHERWISE STATED					
PLANE ANGLES +/- 1°					

BALLAST WINGS - FIXED RIGHT HAND 460297

SNOW WING EQUIPMENT 460375

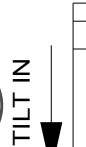
41-2  DIRECTIONAL CONTROL VALVE 1699099 (5 OF)

41-2  DIRECTIONAL CONTROL VALVE 1699099 (5 OF)




41 VALVE MANIFOLD 5 STATION DO3 50070025

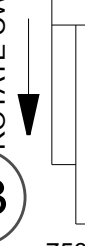
41-3 DUAL PILOT CHECK VALVE 1605990 (5 OF)

42  TILT N
750237 BALLAST WING TILT CYL.

73 ORIFICE 1605410

43  ROTATE CCW
750238 REAR TEMP. CYL.


73 ORIFICE 1605410

43  ROTATE CW
750238 FRONT TEMP. CYL.

73 ORIFICE 1605410

35 FLOW CONTROL 1604900


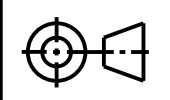
35 FLOW CONTROL 1604900

44  EXTEND
750247 SNOW WING TILT

41 VALVE MANIFOLD 5 STATION DO3 50070025

41-3 DUAL PILOT CHECK VALVE 1605990 (5 OF)

S/N800528-530
S/N800532 & UP

CUSTOMARY: ALL DIMENSIONS IN INCHES				 THIRD ANGLE PROJECTION	
IMPLIED TOLERANCES		PRODUCT: M7			
FRACTION	± 1/8	DESCRIPTION: SCHEMATIC, HYDRAULIC			
.X	± .06	SIZE	SCALE	DRAWING CODE NUMBER	REV.
.XX	± .03	C	NTS	97800006DWG	A
.XXX	± .010	ASSEMBLY:		SHEET 4 OF 12	
MACHINE FINISH UNLESS OTHERWISE STATED		PLANE ANGLES +/- 1°			

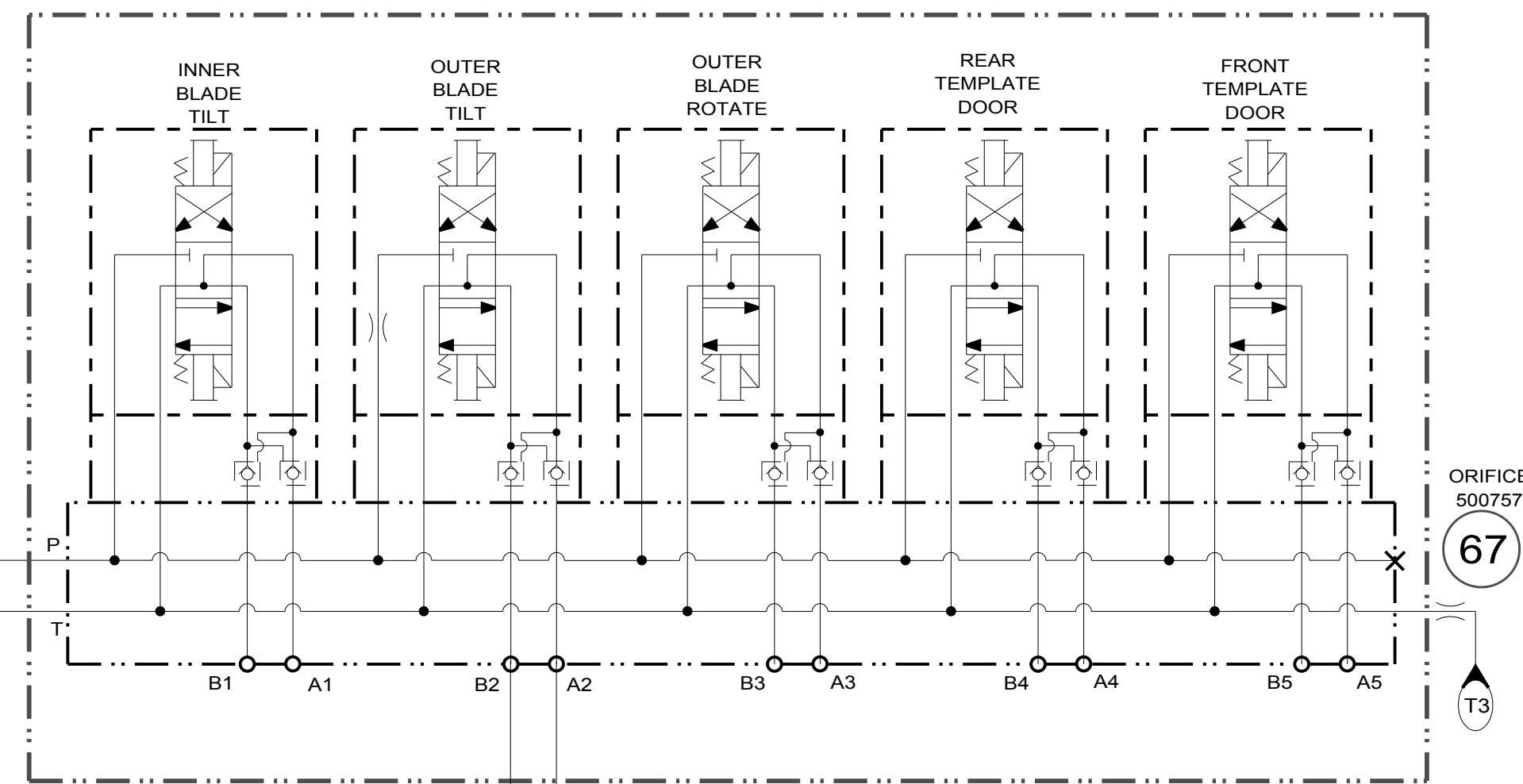
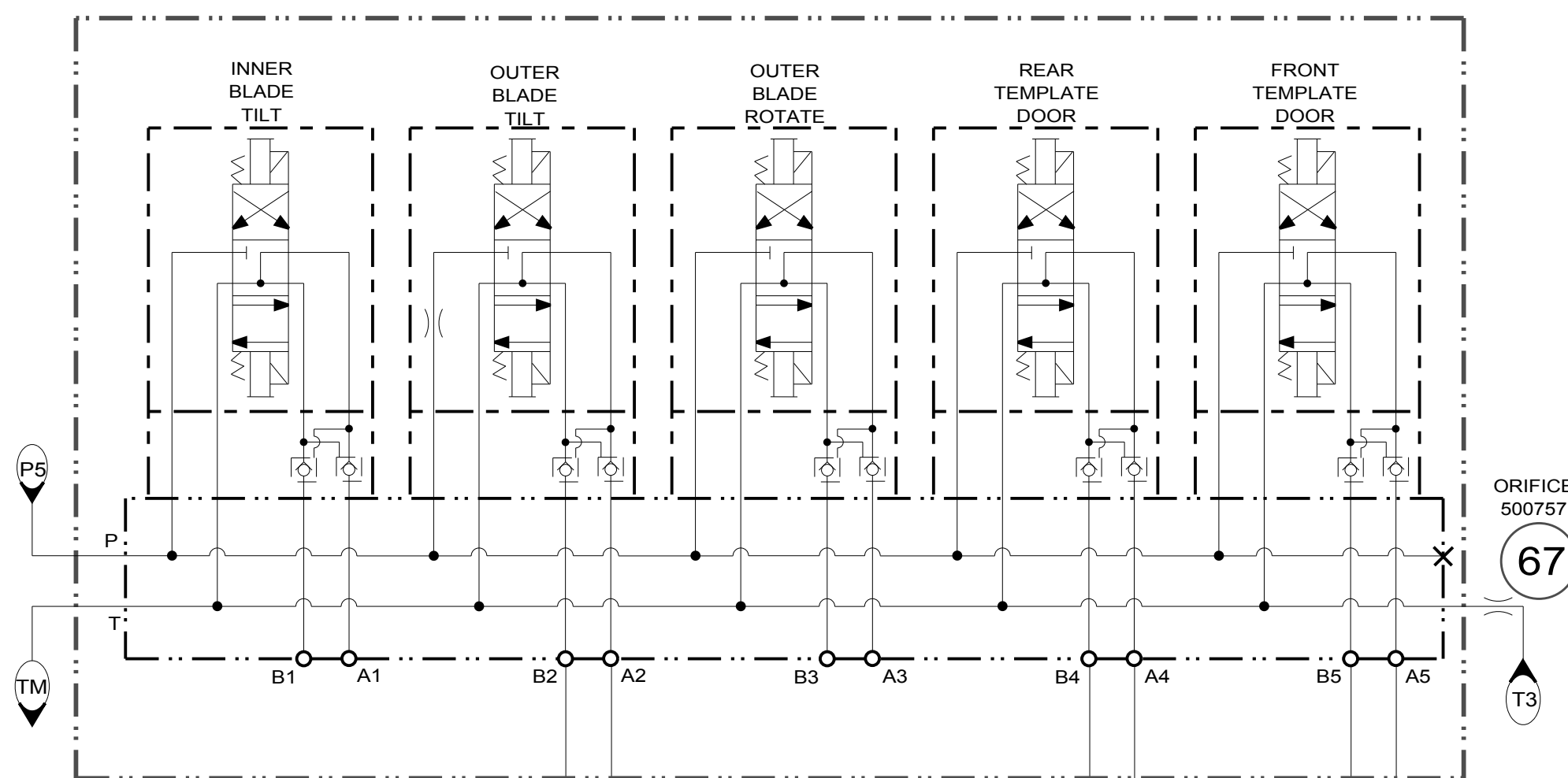
REVISION HISTORY
LOCATED ON LAST SHEET

BALLAST WING - FIXED LEFT HAND 460299

SNOW WING EQUIPMENT 460372

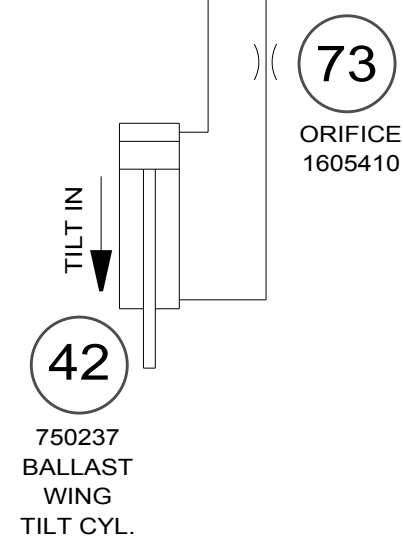
41-2  DIRECTIONAL CONTROL VALVE 1699099 (5 OF)

41-2  DIRECTIONAL CONTROL VALVE 1699099 (5 OF)



41 VALVE MANIFOLD 5 STATION DO3 50070025

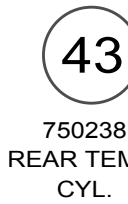
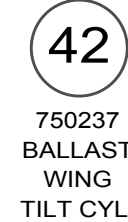
41-3 DUAL PILOT CHECK VALVE 1605990 (5 OF)



73 ORIFICE 1605410

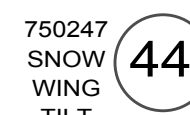
73 ORIFICE 1605410

73 ORIFICE 1605410



35 FLOW CONTROL 1604900



35 FLOW CONTROL 1604900



41 VALVE MANIFOLD 5 STATION DO3 50070025

41-3 DUAL PILOT CHECK VALVE 1605990 (5 OF)

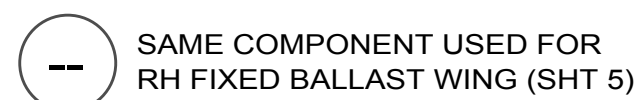
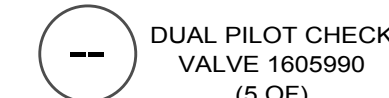
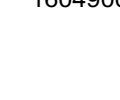
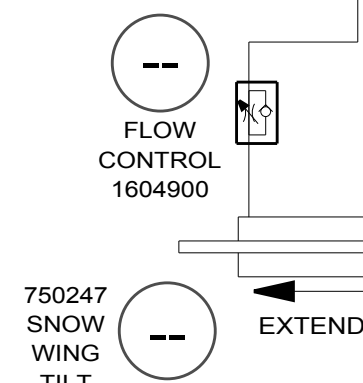
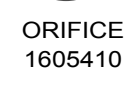
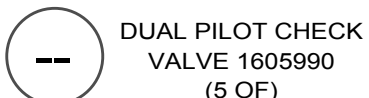
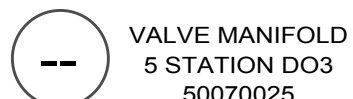
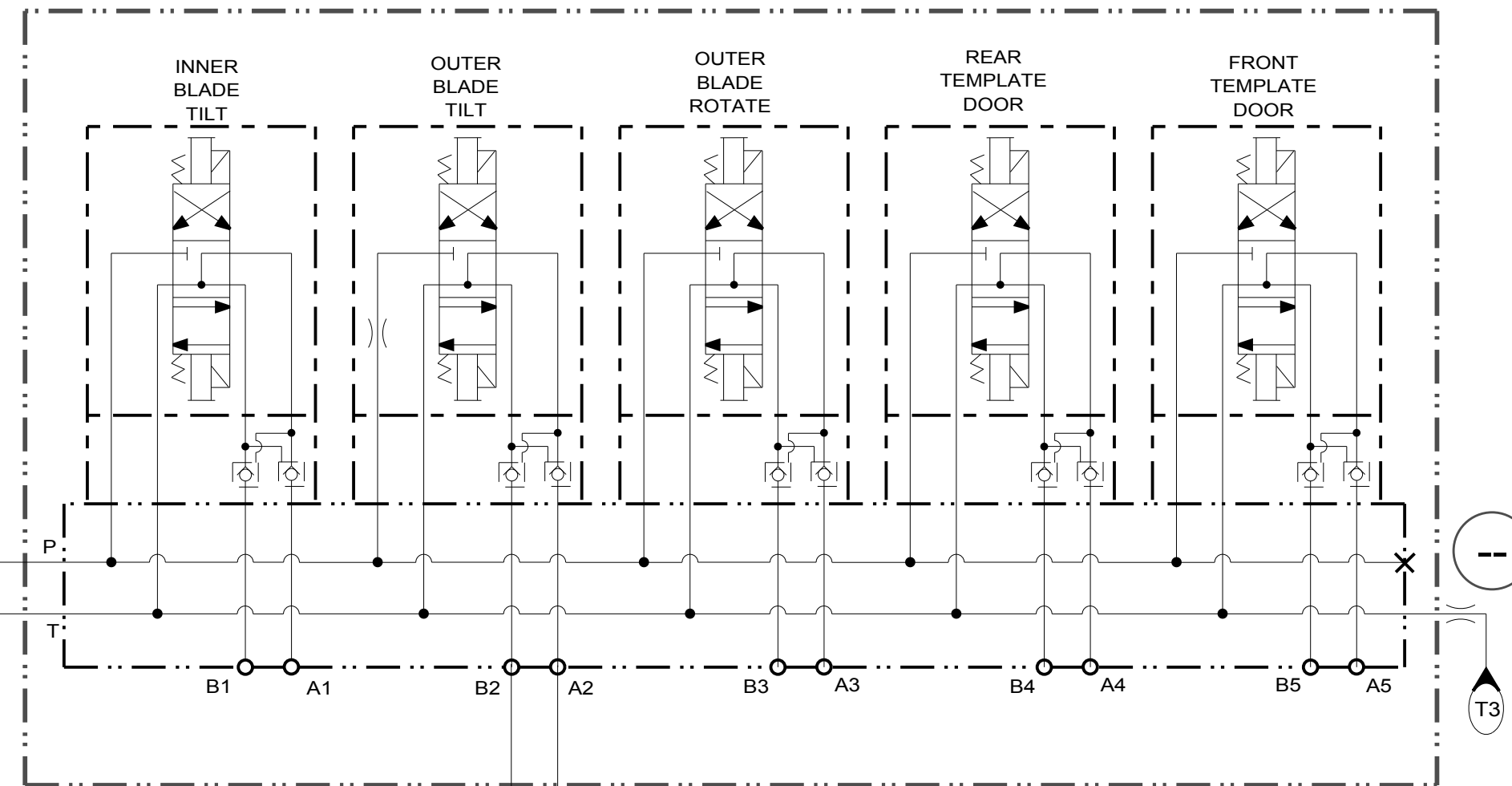
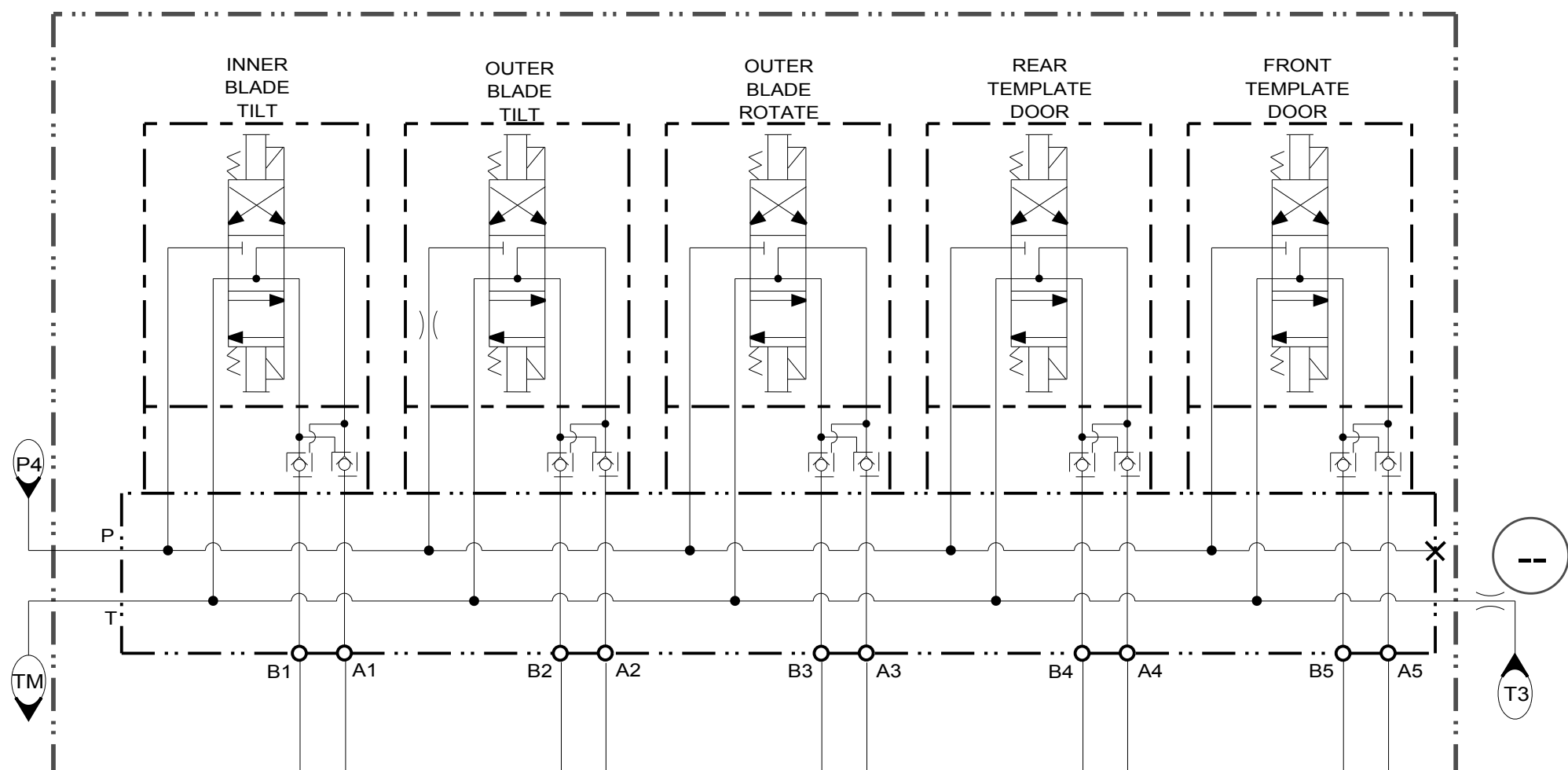
S/N800528-530
S/N800532 & UP

CUSTOMARY:				 THIRD ANGLE PROJECTION	
ALL DIMENSIONS IN INCHES		PRODUCT: M7			
IMPLIED TOLERANCES		DESCRIPTION: SCHEMATIC, HYDRAULIC			
FRACTION	± 1/8	SIZE	SCALE	DRAWING CODE NUMBER	REV.
.X	± .06	C NTS	97800006DWG	A	SHEET 5 OF 12
.XX	± .03				
.XXX	± .010				
MACHINE FINISH UNLESS OTHERWISE STATED		ASSEMBLY:			
PLANE ANGLES +/- 1°					

REVISION HISTORY
LOCATED ON LAST SHEET

BALLAST WING - ROTATIONAL RIGHT HAND 460386

SNOW WING EQUIPMENT 460375



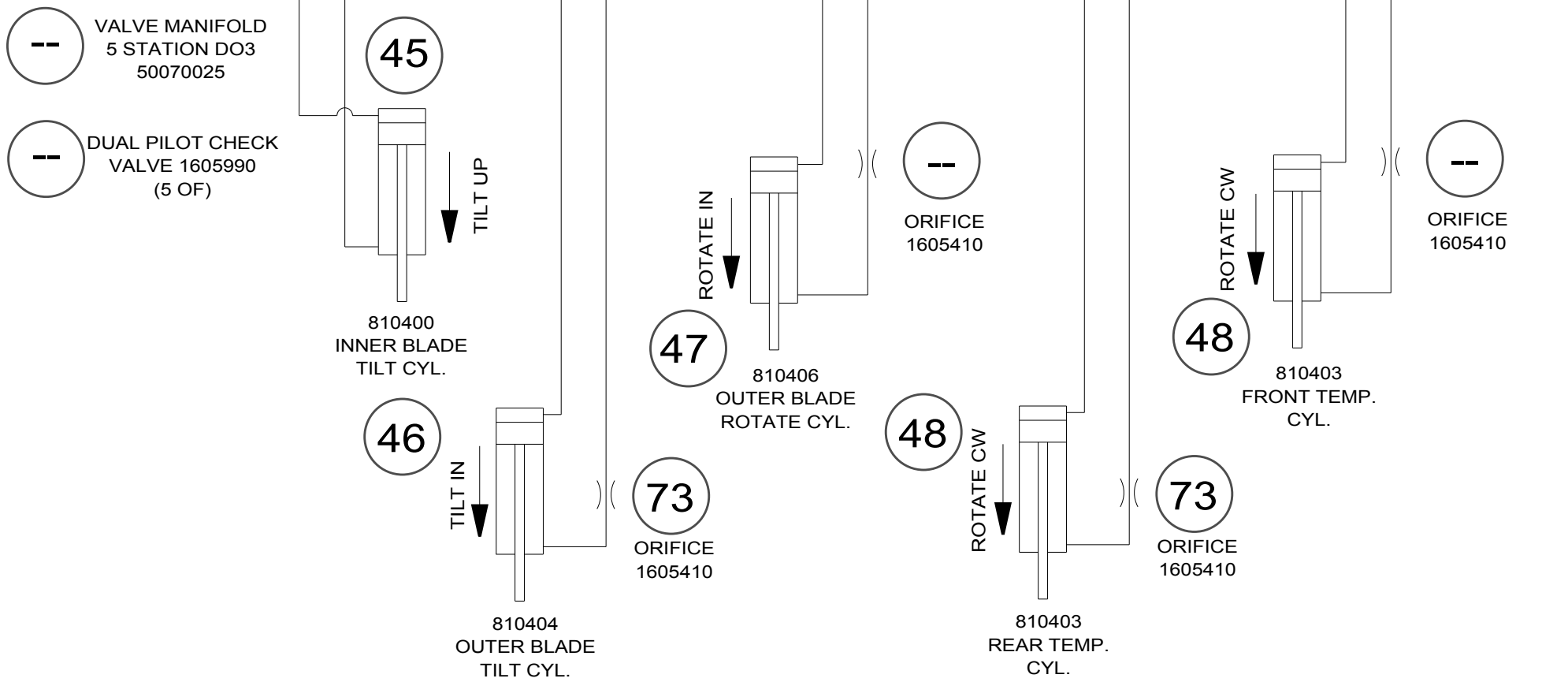
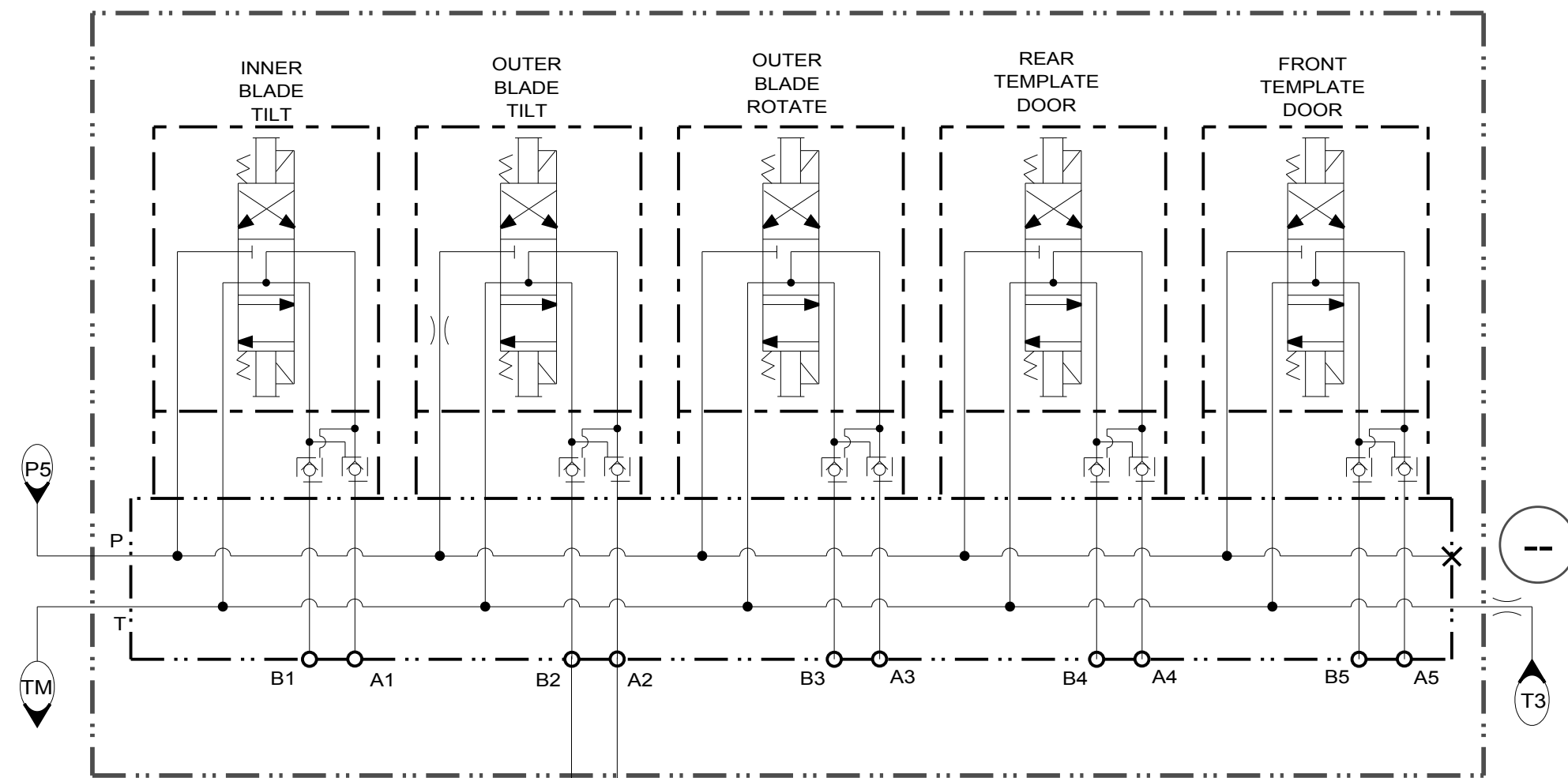
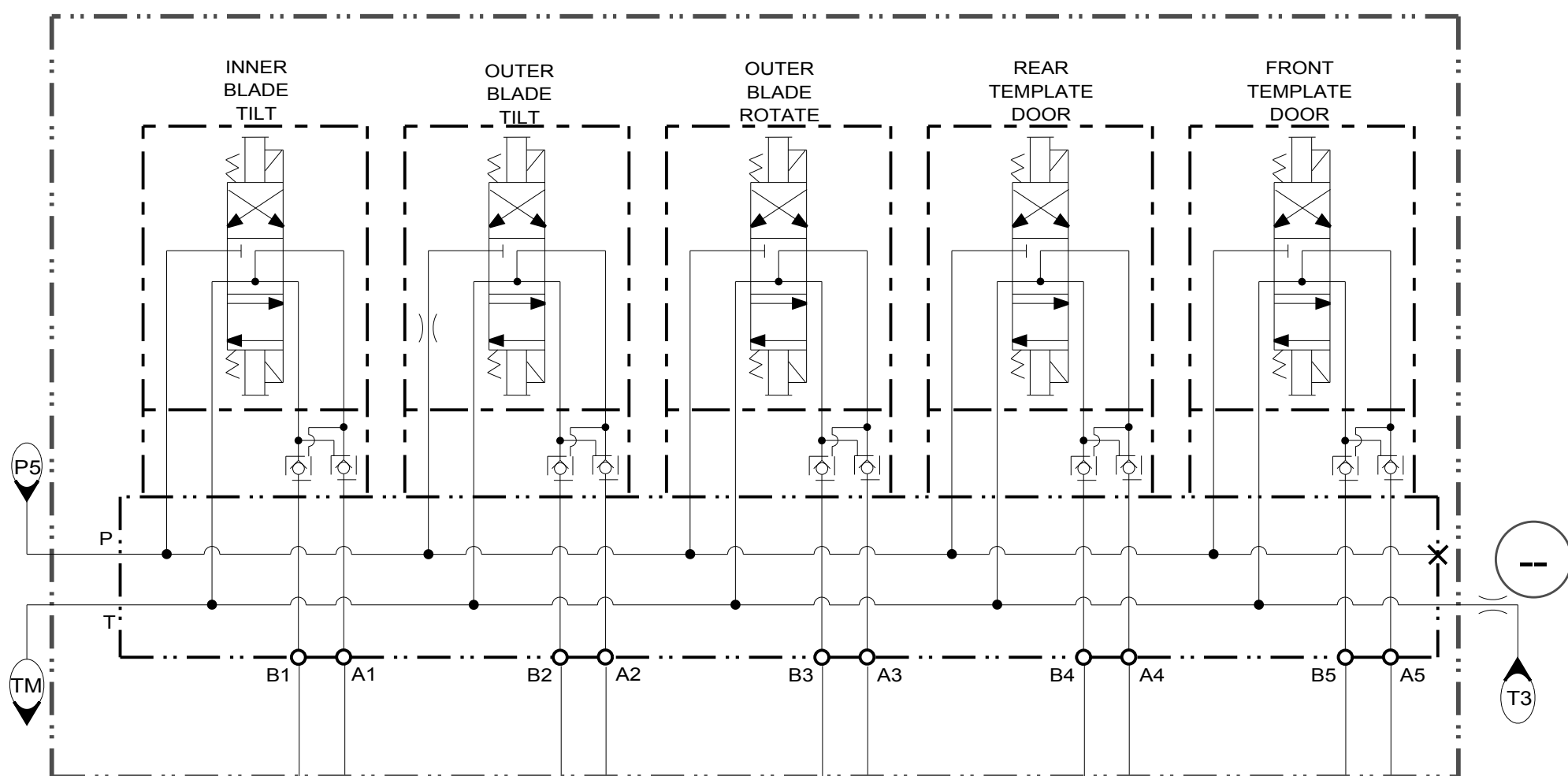
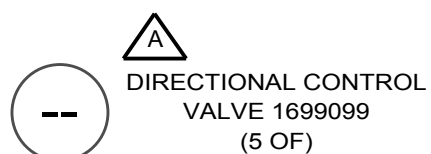
S/N800528-530
S/N800532 & UP

CUSTOMARY:					
ALL DIMENSIONS IN INCHES		PRODUCT: M7			
IMPLIED TOLERANCES		DESCRIPTION: SCHEMATIC, HYDRAULIC			
FRACTION	± 1/8	SIZE	SCALE	DRAWING CODE NUMBER	REV.
.X	± .06	C	NTS	97800006DWG	A
.XX	± .03	ASSEMBLY:		SHEET 6 OF 12	
.XXX	± .010				
MACHINE FINISH UNLESS OTHERWISE STATED					
PLANE ANGLES +/- 1°					

REVISION HISTORY
LOCATED ON LAST SHEET

BALLAST WING - ROTATIONAL LEFT HAND 460387

SNOW WING EQUIPMENT 460372



⊖ SAME COMPONENT USED FOR LH FIXED BALLAST WING (SHT 6)

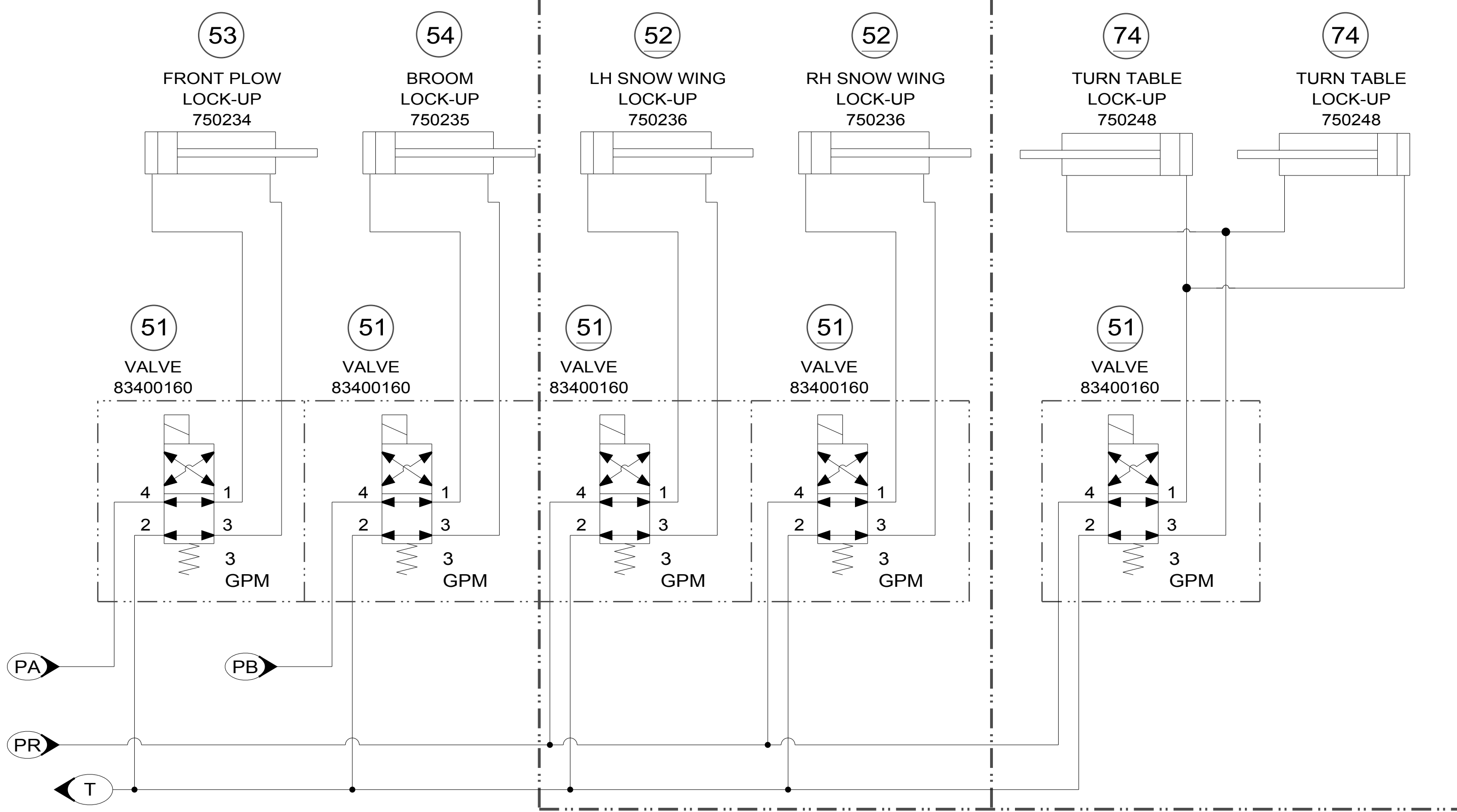
S/N800528-530
S/N800532 & UP

REVISION HISTORY
LOCATED ON LAST SHEET

CUSTOMARY:					
ALL DIMENSIONS IN INCHES		PRODUCT: M7			
IMPLIED TOLERANCES		DESCRIPTION: SCHEMATIC, HYDRAULIC			
FRACTION	± 1/8	SIZE	SCALE	DRAWING CODE NUMBER	REV.
.X	± .06	C	NTS	97800006DWG	A
.XX	± .03	ASSEMBLY:		SHEET 7 OF 12	
.XXX	± .010				
MACHINE FINISH UNLESS OTHERWISE STATED					
PLANE ANGLES +/- 1°					

OPTIONAL
SNOW WINGS W/POWER LOCK

OPTION 460424
TURN TABLE POWER LOCK



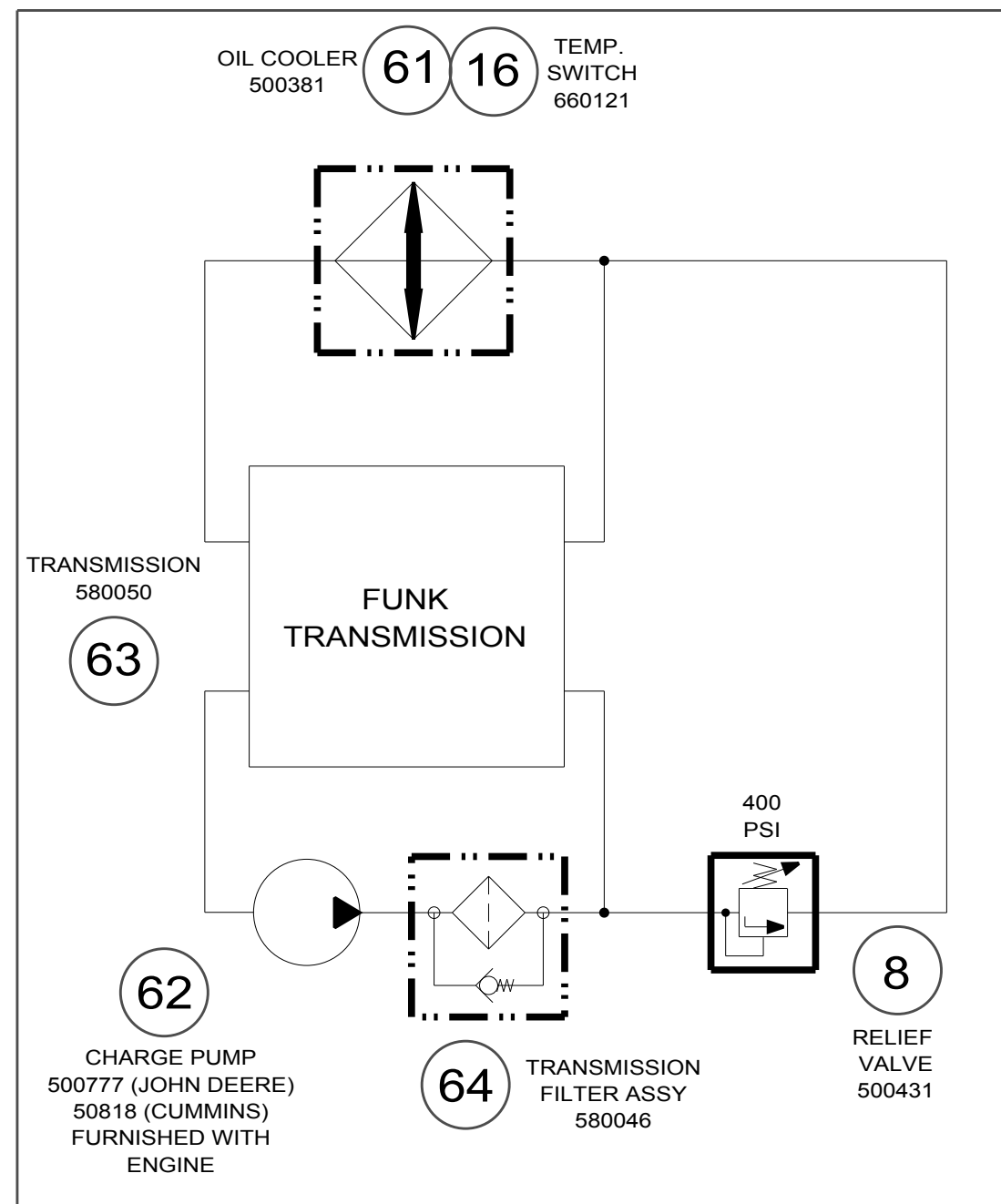
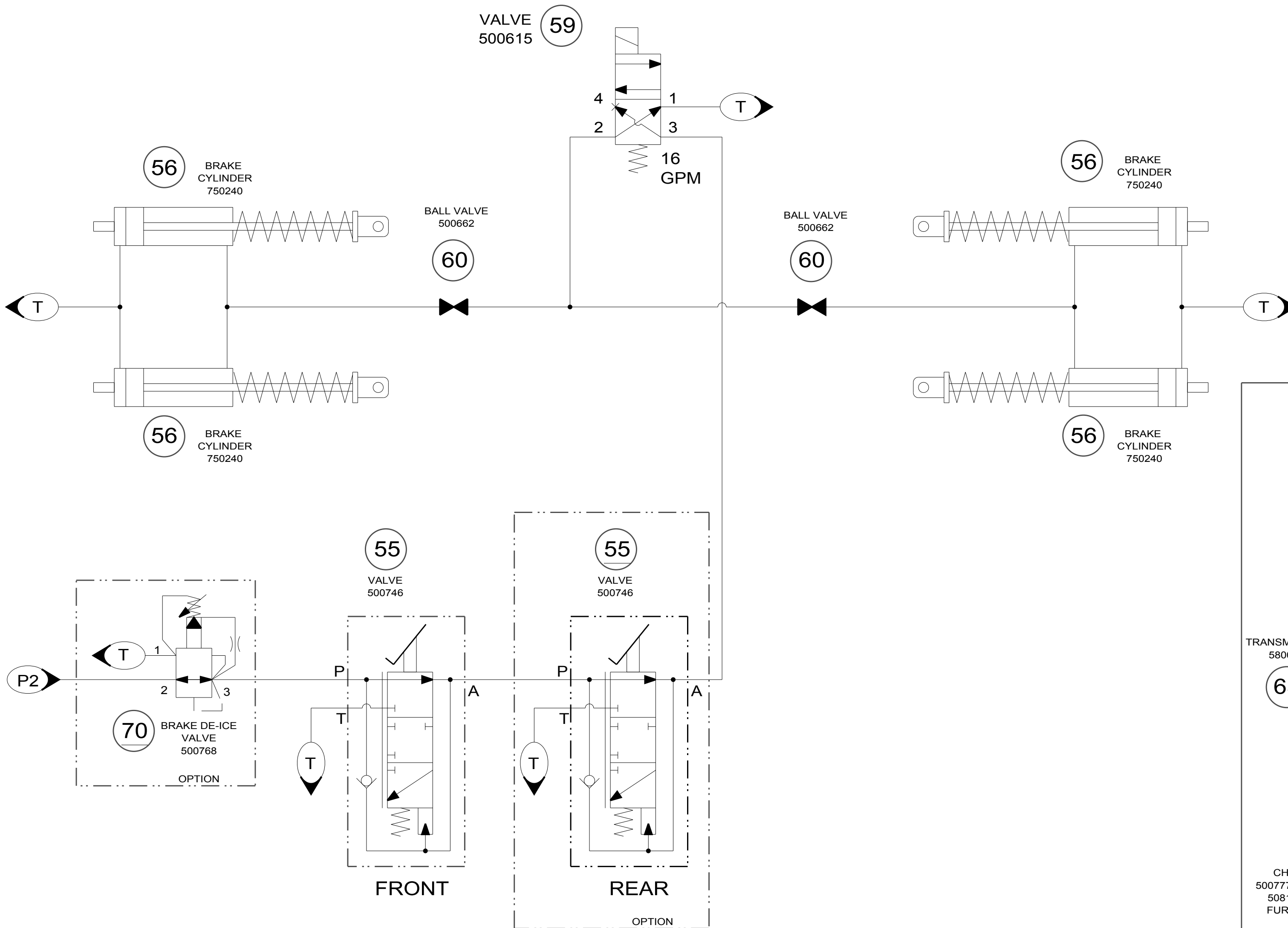
00 OPTIONAL COMPONENTS UNDERLINED

S/N800528-530
S/N800532 & UP

CUSTOMARY:					
ALL DIMENSIONS IN INCHES		PRODUCT: M7			
IMPLIED TOLERANCES		DESCRIPTION: SCHEMATIC, HYDRAULIC			
FRACTION	± 1/8	SIZE	SCALE	DRAWING CODE NUMBER	REV.
.X	± .06	C	NTS	97800006DWG	A
.XX	± .03	ASSEMBLY:		SHEET 8	OF 12
.XXX	± .010				
MACHINE FINISH UNLESS OTHERWISE STATED					
PLANE ANGLES +/- 1°					

REVISION HISTORY
LOCATED ON LAST SHEET

BRAKE SYSTEM



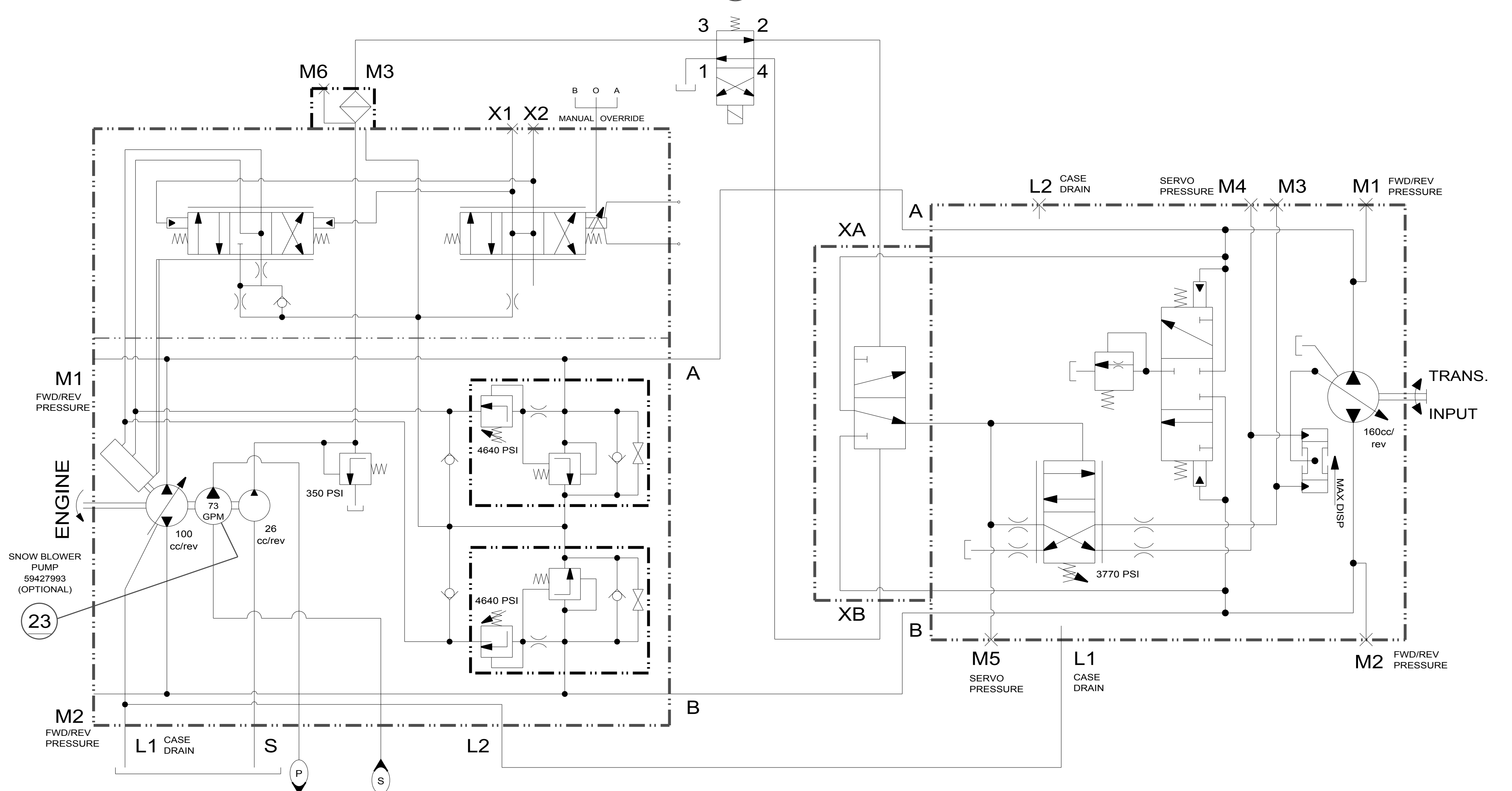
00 OPTIONAL COMPONENTS UNDERLINED

REVISION HISTORY LOCATED ON LAST SHEET

S/N800528-530
S/N800532 & UP

CUSTOMARY: ALL DIMENSIONS IN INCHES					
IMPLIED TOLERANCES		PRODUCT: M7			
FRACTION	± 1/8	DESCRIPTION: SCHEMATIC, HYDRAULIC			
.X	± .06	SIZE	SCALE	DRAWING CODE NUMBER	REV.
.XX	± .03	C	NTS	97800006DWG	A
.XXX	± .010	ASSEMBLY:		SHEET 9 OF 12	
MACHINE FINISH UNLESS OTHERWISE STATED		PLANE ANGLES +/- 1°			

51 VALVE
83400160



PUMP SERIES 90
CLOCKWISE (CW) ROTATION
59427985

65

MOTOR SERIES 51-1

500648

66

S/N800528-530
S/N800532 & UP

00 OPTIONAL COMPONENTS UNDERLINED

REVISION HISTORY
LOCATED ON LAST SHEET

CUSTOMARY: ALL DIMENSIONS IN INCHES				THIRD ANGLE PROJECTION	
IMPLIED TOLERANCES		PRODUCT: M7			
FRACTION	± 1/8	DESCRIPTION: SCHEMATIC, HYDRAULIC			
.X	± .06	SIZE	SCALE	DRAWING CODE NUMBER	REV.
.XX	± .03	C	NTS	97800006DWG	A
.XXX	± .010	ASSEMBLY:		SHEET 10 OF 12	
MACHINE FINISH UNLESS OTHERWISE STATED		PLANE ANGLES +/- 1°			

ITEM NO.	NORDCO PART NO.	DESCRIPTION	STD QTY.	OPT QTY.	PAGE
01	500624	HYDRAULIC OIL TANK	1	-	1
02	F-438	BALL VALVE	1	-	
03	500619	SUCTION STRAINER	1	-	
03-1	500092	ELEMENT			
04	500625	SUCTION MANIFOLD	1	-	
05	59427987	IMPLEMENT PUMP	1	-	
06	54218493	UNLOADING VALVE	2	-	
06-1	25534036	COIL, DESTROKE			
07	1607046	BALL VALVE	1	-	
08	500431	RELIEF VALVE	3	-	1,9
09	98800020	EMERGENCY PUMP	1	-	1
09-1	520247	CABLE, EMERGENCY PUMP			
10	F-566	CHECK VALVE	1	-	
11	3880259	PRESSURE FILTER	1	-	
11-1	5193970	SENDING UNIT			
11-2	3894289	ELEMENT			
12	1603709	VALVE, DUAL COUNTERBALANCE	2	-	3
13	-	-	-	-	
14	500775	RETURN MANIFOLD	1	-	1
15	500385	HYDRAULIC OIL COOLER	1	-	
15-1	500383	OIL COOLER			
15-2	500384	FAN, OIL COOLER			
16	660121	TEMPERATURE SWITCH	2	-	1,9
16-1	96391051	ASSY, CONTROLLER KIT			
17	3880323	RETURN FILTER	2	-	1
17-1	5193970	SENDING UNIT			
17-2	3894289	ELEMENT			
18	500428	BROOM VALVE	1	-	
18-1	500629	VALVE, DIR CTRL OPEN CENTER			
19	500481	BROOM VALVE SUBPLATE	1	-	
20	F-233	BROOM & BLOWER MOTOR	1	-	
21	50078577	SNOW BLOWER VALVE ASSY	-	1	
21-1	50080046	BLOCK, MANIFOLD D08			
21-2	1699390	VALVE, DIRECTIONAL CONTROL D08			
21-3	1699391	VALVE, DIRECTIONAL CONTROL D03			
21-4	1623568	VALVE,VARIABLE RELIEF 500-3000PSI			
21-5	2783331	1/2-13UNC X 2.50 LG S.H.C.S.			
22	500406	PRESSURE REDUCING VALVE	1	-	
22-1	505002	VALVE, PRES RED CARTRIDGE			
23	59427993	SNOW BLOWER PUMP	-	1	10
24	500175	6 STATION D03 VALVE MANIFOLD	1	-	2
24-1	500173	MANIFOLD, 6 STATION D03			
24-2	1699087	VALVE, SOLENOID DIRECTIONAL			
25	500430-24V	FLOAT VALVE	1	-	
25-1	500651	SOLENOID FOR NACHI VALVE			
26	1696782	TURN TABLE CONTROL VALVE	1	-	
27	F-201	CHUTE ROTATE	-	1	
28	F-611	CHECK VALVE	2	-	
29	750242	TURN TABLE CYLINDERS	2	-	
29-1	SK-750242	SEAL KIT			
30	7500-227	PLOW LIFT	1	-	
30-1	SK-7500-227	SEAL KIT 500799			
31	7500-120	PLOW BLADE CYLINDER	2	-	
31-1	SK-7500-120	SEAL KIT 500799			
32	7500-109	BROOM LIFT CYLINDER	1	-	
32-1	SK-7500-109	SEAL KIT 500798			
33	750241	BROOM TILT CYLINDER	2	-	
33-1	SK-750241	SEAL KIT 500799			
34	83390190	4 SECTION PROPORTIONAL VALVE	1	-	3
35	1604900	FLOW CONTROL VALVE	8	-	2,4-5
36	750229	BOOM LIFT CYLINDER	2	-	3
36-1	SK-750229	SEAL KIT	-	-	
37	750239	BOOM MOTION CYLINDER	2	-	
37-1	SK-750239	SEAL KIT 500799	-	-	

ITEM NO.	NORDCO PART NO.	DESCRIPTION	STD QTY.	OPT QTY.	PAGE
38	7500-101	SNOW WING EXTEND CYLINDER	2	-	3
38-1	SK-7500-101	SEAL KIT 500801	-	-	
39	F-640	QUICK ACTING DUMP VALVE	2	-	
40	810401	BOOM MOTION CYLINDER	-	2	
40-1	SK-810401	SEAL KIT 500799			
41	50070025	5 STATION D03 VALVE MANIFOLD	4	-	4-5
41-1	500171	MANIFOLD, 5 STATION D03			
41-2	1699099	VALVE, SOLENOID DIRECTIONAL			
41-3	1605990	VALVE, PILOT OPERATED CHECK	10	10	
42	750237	BALLAST WING TILT CYL	2	-	
42-1	7SK-50237	SEAL KIT 500798			
43	750238	TEMPLATE DOOR CYLINDER	4	-	
43-1	SK-750238	SEAL KIT 500799			
44	750247	SNOW WING TILT CYLINDER	2	-	
44-1	SK-750247	SEAL KIT 500799			
45	810400	INNER DOOR TILT CYLINDER	-	2	6-7
45-1	SK-810400	SEAL KIT 500798			
46	810404	OUTER DOOR TILT CYLINDER	-	2	
46-1	SK-810404	SEAL KIT 500798			
47	810406	OUTER DOOR ROTATE CYLINDER	-	2	
47-1	SK-810406	SEAL KIT 500798			
48	810403	TEMPLATE DOOR CYLINDER	-	4	
48-1	SK810403	SEAL KIT 500799			
49	-	-	-	-	
49-1	-	-	-	-	
50	-	-	-	-	
51	83400160	2 POSITION VALVE	3	3	8,10
52	750236	SNOW WING LOCK-UP CYLINDER	-	2	8
53	750234	FRONT PLOW LOCK-UP CYLINDER	1	-	
54	750235	BROOM LOCK-UP CYLINDER	1	-	
55	500746	BRAKE VALVE, FOOT PEDAL	1	1	9
56	750240	SINGLE ACTING BRAKE CYLINDER	4	-	
57	F-435	CHECK VALVE	2	-	3
58	-	-	-	-	
59	500615	VALVE, SOLENOID 2-POSITION	1	2	2,9
59-1	500779	VALVE, 2-POSITION 4-WAYS			
59-2	520277	COIL, 24VDC DIN 43650			
60	500662	LOCKING BALL VALVE 3/4 NPT	2	-	9
61	500381	TRANSMISSION OIL COOLER	1	-	
61-1	500382	FAN, OIL COOLER			
62	500777	CHARGE PUMP COMES W/ENGINE	1	-	
63	580050	FUNK TRANSMISSION	1	-	
63-1	580056	SENDER, TEMP TRANS FUNK			
63-2	580057	GAUGE, TEMP TRANS FUNK			
64	580046	TRANSMISSION FILTER ASSY	1	-	
64-1	580047	BASE, FILTER			
64-2	580048	ELEMENT FILTER			
65	59427985	SERIES 90 PUMP	1	-	10
65-1	500072	PUMP FILTER			
66	500648	SERIES 51-1 MOTOR	1	-	
67	500757	ORIFICE 0.093	6	1	2-5
68	1605895	CHECK VALVE 100 PSI	1	-	1
69	500028	MOTOR, WHEEL HYD OMVW800	1	-	
70	500768	VALVE, REDUCING WITH HANDKNOB	-	1	9
71	50078570	MANIFOLD TWO STATION HEADER	1	-	1
72	50079050	MANIFOLD HEADER 6 PORTS	1	-	
73	1605410	ORIFICE, .06	14	-	4-7
74	750248	CYLINDER, TURN TABLE LOCK	-	2	8
75	-	-	-	-	
76	C-7500-100	CHECK VALVE 125 PSI	-	1	2
77	500627	BROOM PUMP	1	-	1
78	50078001	MANIFOLD 1 STATION D03	-	1	
78-1	50080060	BLOCK, MANIFOLD	-	1	
78-2	1699087	VALVE, DIRECTIONAL CONTROL	-	1	
79	G-226	CYLINDER, TRAVERSING BROOM	-	1	

REVISION HISTORY LOCATED ON LAST SHEET S/N800528-530 S/N800532 & UP

CUSTOMARY:					
ALL DIMENSIONS IN INCHES		PRODUCT: M7			
IMPLIED TOLERANCES		DESCRIPTION: SCHEMATIC, HYDRAULIC			
FRACTION	± 1/8	SIZE	SCALE	DRAWING CODE NUMBER	REV.
.X	± .06	C	NTS	97800006DWG	A
.XX	± .03	PLANE ANGLES +/- 1°		ASSEMBLY: SHEET 11 OF 12	
.XXX	± .010				



NO.97800006DWG

SHEET NO.
12/12

ALL INFORMATION CONTAINED ON THIS DRAWING IS CONSIDERED TO BE BOTH CONFIDENTIAL AND PROPRIETARY BY NORDCO INC. NO USE OR REPRODUCTION THEREOF MAY BE MADE WITHOUT THE EXPRESS WRITTEN CONSENT OF NORDCO INC.

ECO	600576	REV -	
DRAWN BY:		CHECKED BY:	APPROVED BY:
LCP 01/06/12			
SHEET	CHANGE		
ALL	NEW ISSUE		

ECO	600688	REV A	
DRAWN BY:		CHECKED BY:	APPROVED BY:
SWA 05-24-12			
SHEET	CHANGE		
2	OPTION TRAVERSING BROOM ADDED ITEM 24-2 VALVE WAS 500172		
4	41-2 VALVE 1699099 WAS 500172		
5	41-2 VALVE 1699099 WAS 500172		
6	41-2 VALVE 1699099 WAS 500172		
7	41-2 VALVE 1699099 WAS 500172		
11	ITEM 24-2 1699087 WAS 500172 ITEMS 78,78-1,78-2 & 79 ADDED		

CUSTOMARY:				 THIRD ANGLE PROJECTION	
ALL DIMENSIONS IN INCHES		PRODUCT: M7			
IMPLIED TOLERANCES		DESCRIPTION: SCHEMATIC, HYDRAULIC			
FRACTION	± 1/8	SIZE	SCALE	DRAWING CODE NUMBER	REV.
.X	± .06	C	NTS	97800006DWG	A
.XX	± .03	MACHINE FINISH UNLESS OTHERWISE STATED			
.XXX	± .010	PLANE ANGLES +/- 1°			
ASSEMBLY:			SHEET 12 OF 12		